



US00D604209S

(12) **United States Design Patent**
Chae

(10) **Patent No.:** **US D604,209 S**

(45) **Date of Patent:** **** Nov. 17, 2009**

(54) **RADIATOR GRILL FOR AUTOMOBILE**

(75) Inventor: **Dong Hyuk Chae**, Hwaseong-si (KR)

(73) Assignee: **Hyundai Motor Company**, Seoul (KR)

(**) Term: **14 Years**

(21) Appl. No.: **29/324,514**

(22) Filed: **Sep. 12, 2008**

(51) **LOC (9) Cl.** **12-16**

(52) **U.S. Cl.** **D12/163**

(58) **Field of Classification Search** D12/163,
D12/196, 171, 169, 216, 90-92, 86; 180/68.1,
180/68.6; 296/193.11

See application file for complete search history.

(56) **References Cited**

U.S. PATENT DOCUMENTS

D514,480	S	*	2/2006	Yamaji et al.	D12/163
D524,199	S	*	7/2006	Fukuda et al.	D12/163
D558,104	S	*	12/2007	Hieke	D12/163
D562,192	S	*	2/2008	Kushima et al.	D12/163
D562,741	S	*	2/2008	Matsumoto et al.	D12/163
D566,015	S	*	4/2008	Beigel et al.	D12/163
D575,687	S	*	8/2008	Hatake	D12/163
D575,689	S	*	8/2008	Chang et al.	D12/163
D584,196	S	*	1/2009	Ebel et al.	D12/163
D584,197	S	*	1/2009	Song et al.	D12/163

* cited by examiner

Primary Examiner—Melody N Brown

(74) *Attorney, Agent, or Firm*—Morgan, Lewis & Bockius LLP

(57) **CLAIM**

The ornamental design for a radiator grill for a automobile, as shown and described.

DESCRIPTION

FIG. 1 is a front perspective view of a radiator grill for automobile showing my new design;

FIG. 2 is a front view thereof;

FIG. 3 is a rear view thereof;

FIG. 4 is a left side view thereof;

FIG. 5 is a right side view thereof;

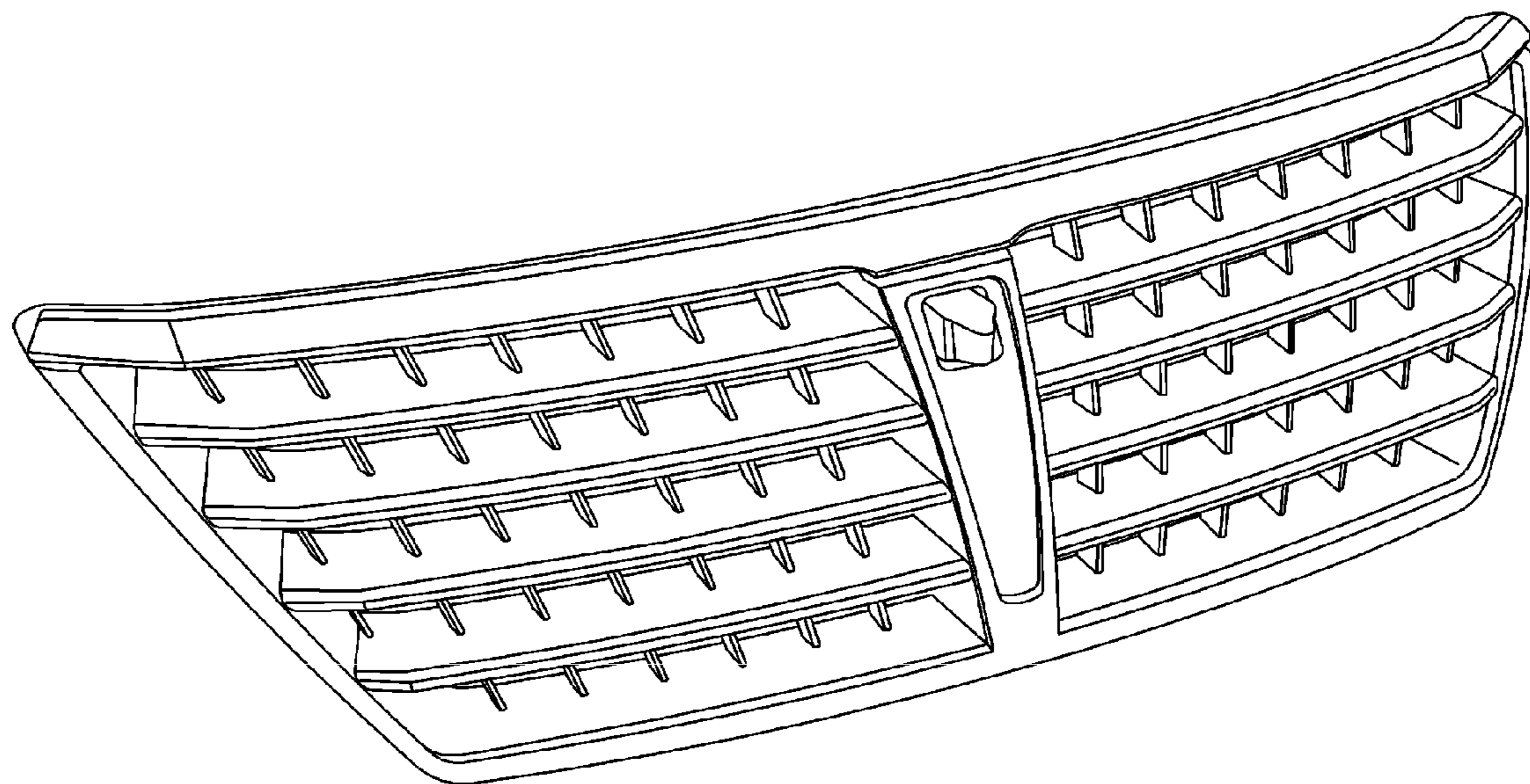
FIG. 6 is a top view; and,

FIG. 7 is a bottom view.

Inventive aspects of the radiator grill exist in the grill exterior as a whole, in portions and elements thereof, and in combinations of portions or elements thereof. Applicant reserves the right to amend this application and/or to file one or more divisional applications to specifically claim any such arrangements or any specific embodiment or embodiments.

Some of the drawings may include trademarks and other indicia thereon. Applicant's invention also includes the design without the trademarks and other indicia thereon. Applicant's invention further includes a continuous surface and/or pattern in lieu of the trademarks and/or other indicia.

1 Claim, 3 Drawing Sheets



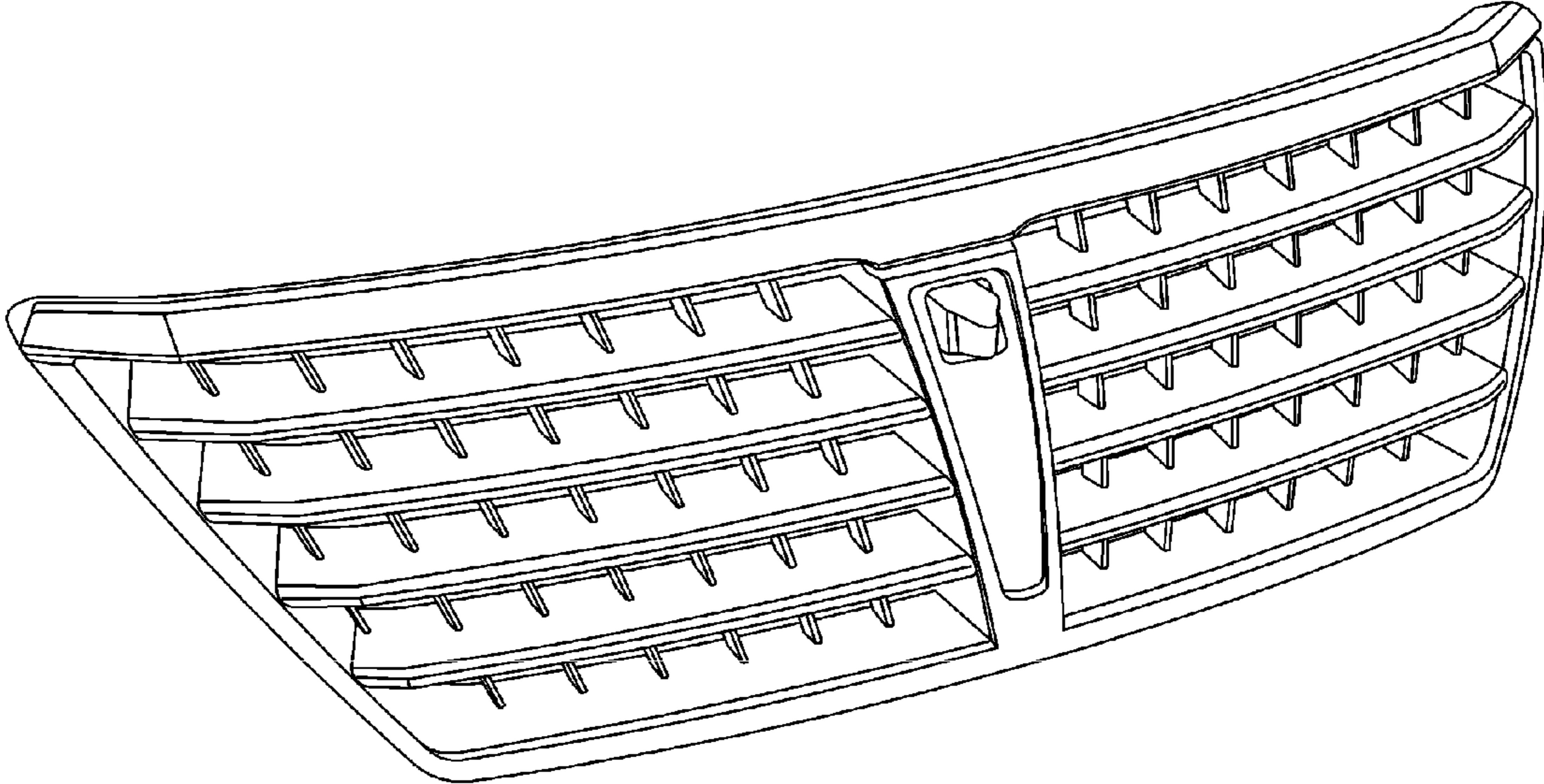


FIG. 1

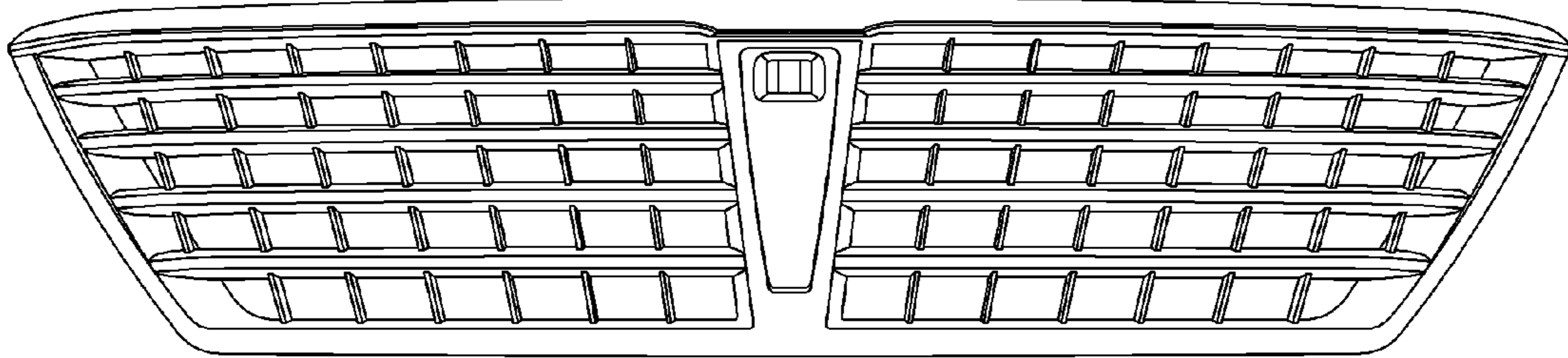


FIG. 2

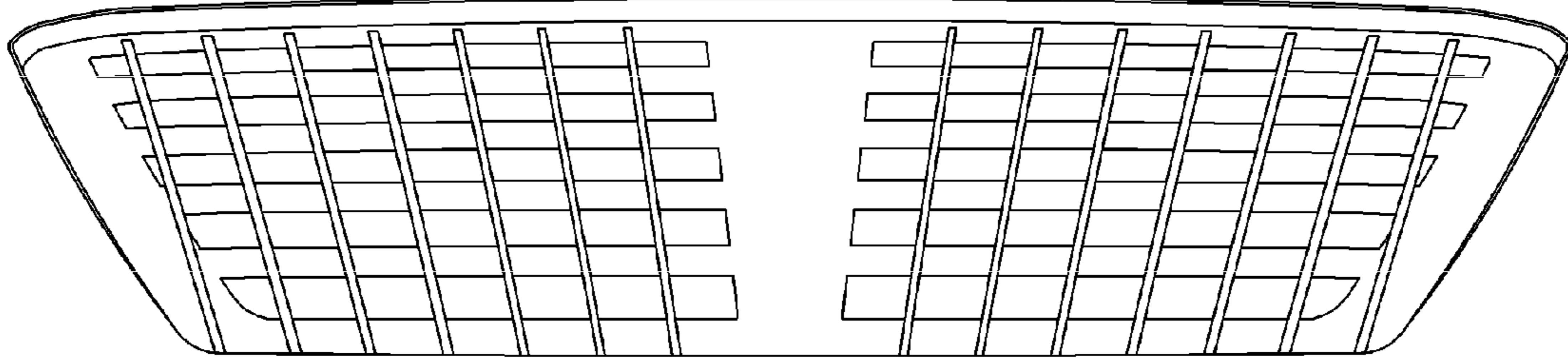


FIG. 3

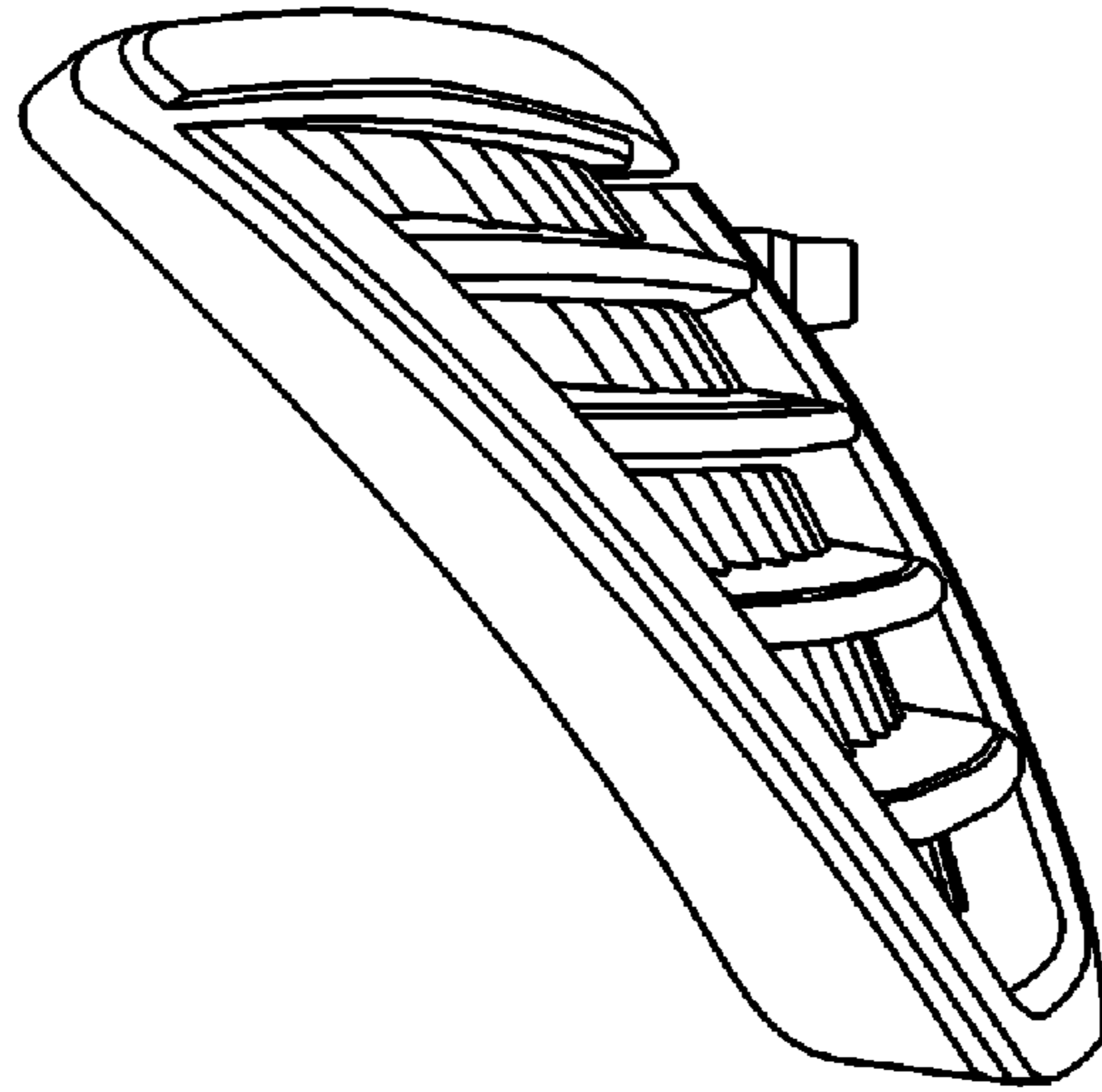


FIG. 4

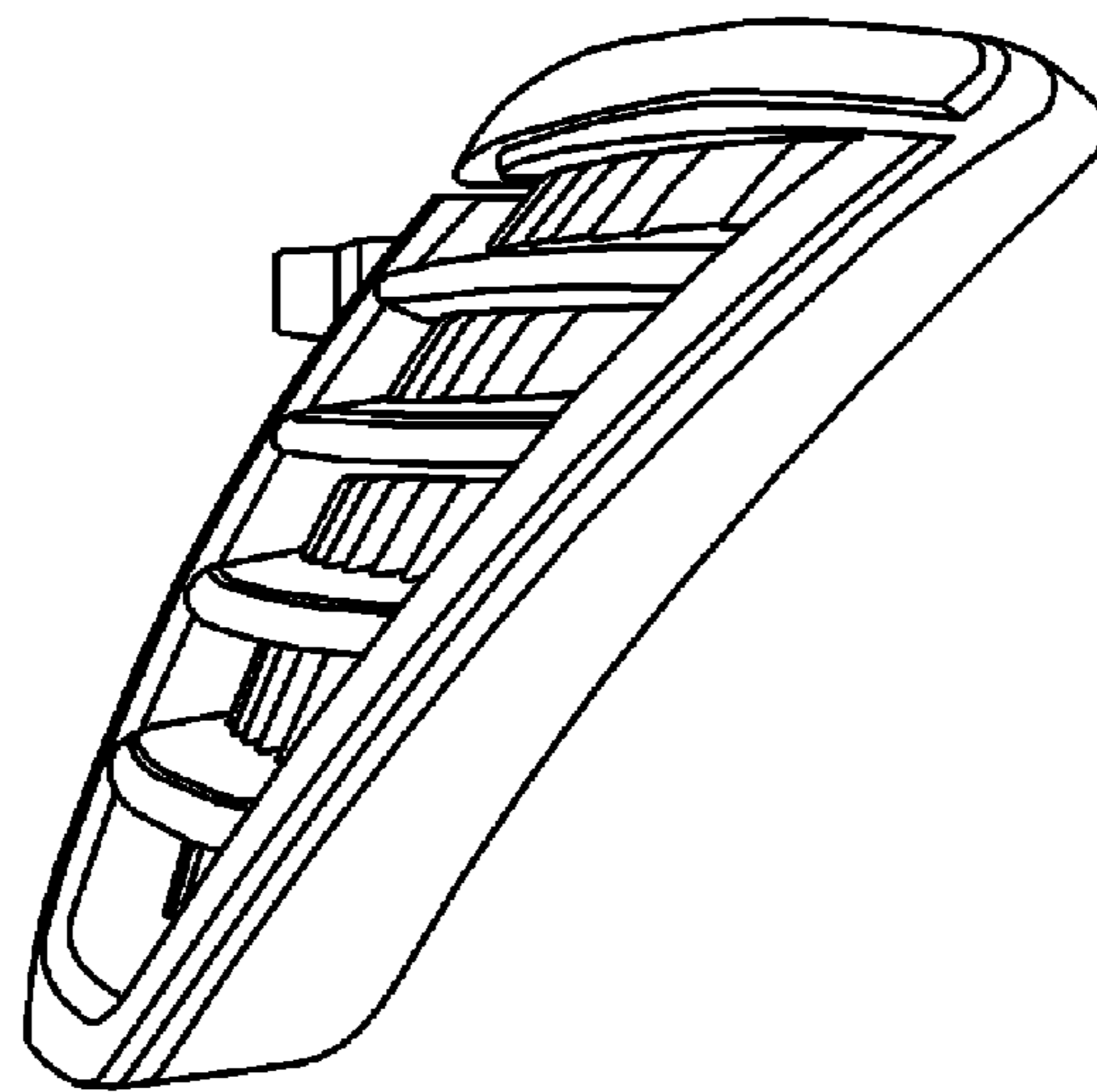


FIG. 5

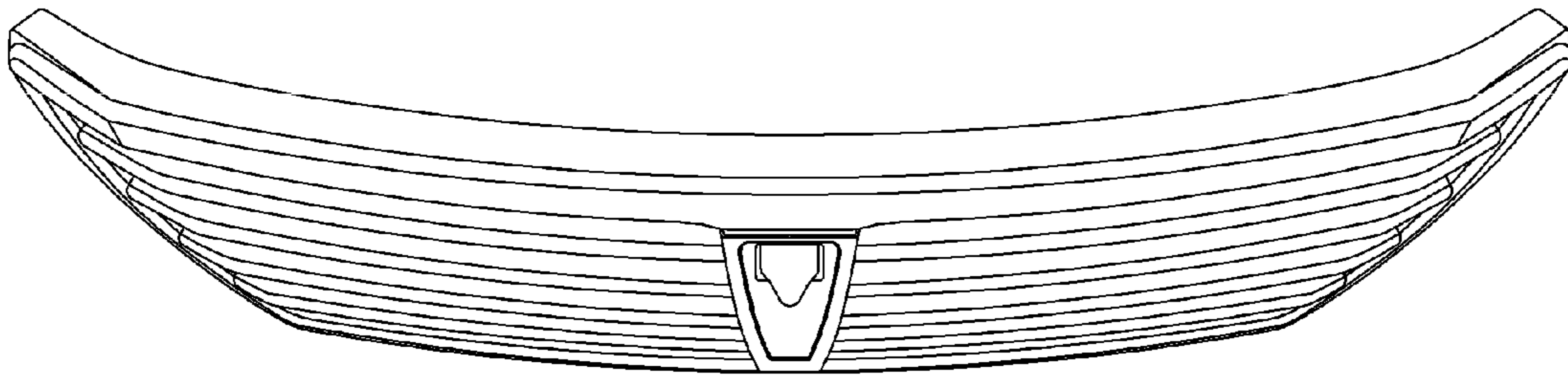


FIG. 6

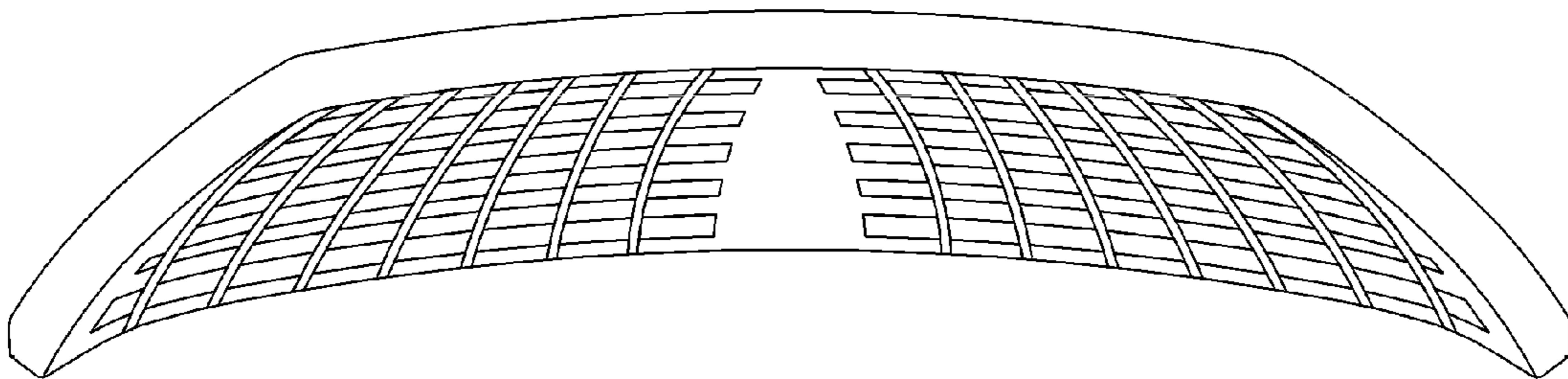


FIG. 7