



US00D604208S

(12) **United States Design Patent**  
**Perk et al.**

(10) **Patent No.:** **US D604,208 S**

(45) **Date of Patent:** **\*\* Nov. 17, 2009**

(54) **STAND-UP WHEELCHAIR**

(75) Inventors: **Heinrich Perk**, Aglasterhausen (DE);  
**Oliver Kretschmer**, Sinsheim (DE)

(73) Assignee: **Otto Bock HealthCare GmbH**,  
Duderstadt (DE)

(\*\*) Term: **14 Years**

(21) Appl. No.: **29/327,787**

(22) Filed: **Nov. 13, 2008**

(30) **Foreign Application Priority Data**

May 15, 2008 (EM) ..... 000934419

(51) **LOC (9) Cl.** ..... **12-12**

(52) **U.S. Cl.** ..... **D12/131**

(58) **Field of Classification Search** ..... D12/128-133;  
D21/433; D34/12, 27, 30; 280/62, 647-650,  
280/29, 200, 47.38, 250.1, 259, 642, 658;  
296/65.03, 65.04; 297/DIG. 4; 135/65-67,  
135/74

See application file for complete search history.

(56) **References Cited**

**U.S. PATENT DOCUMENTS**

- 4,732,423 A \* 3/1988 Condon ..... 297/284.1
- 5,112,076 A \* 5/1992 Wilson ..... 280/657
- 5,383,709 A \* 1/1995 Chaney et al. .... 297/302.2
- D360,172 S \* 7/1995 Francke ..... D12/128
- D413,554 S \* 9/1999 Schlangen ..... D12/131
- D439,869 S \* 4/2001 Kjell et al. .... D12/128
- D455,376 S \* 4/2002 Lindenkamp ..... D12/131

- D475,952 S \* 6/2003 Nelson et al. .... D12/131
- D484,832 S \* 1/2004 Okamoto et al. .... D12/131
- D494,110 S \* 8/2004 Cheng ..... D12/131
- D498,183 S \* 11/2004 Nelson et al. .... D12/128
- D569,769 S \* 5/2008 Chiu et al. .... D12/131

\* cited by examiner

*Primary Examiner*—Charles A Rademaker

*Assistant Examiner*—Charles D Hanson

(74) *Attorney, Agent, or Firm*—Whitham, Curtis,  
Christofferson & Cook, P.C.

(57) **CLAIM**

We claim the ornamental design for a stand-up wheelchair, as shown and described.

**DESCRIPTION**

FIG. 1 is a right front perspective view of the stand-up wheelchair in its elevated position;

FIG. 2 is a right side view of the stand-up wheelchair in its seated position;

FIG. 3 is a rear view of the stand-up wheelchair in its seated position;

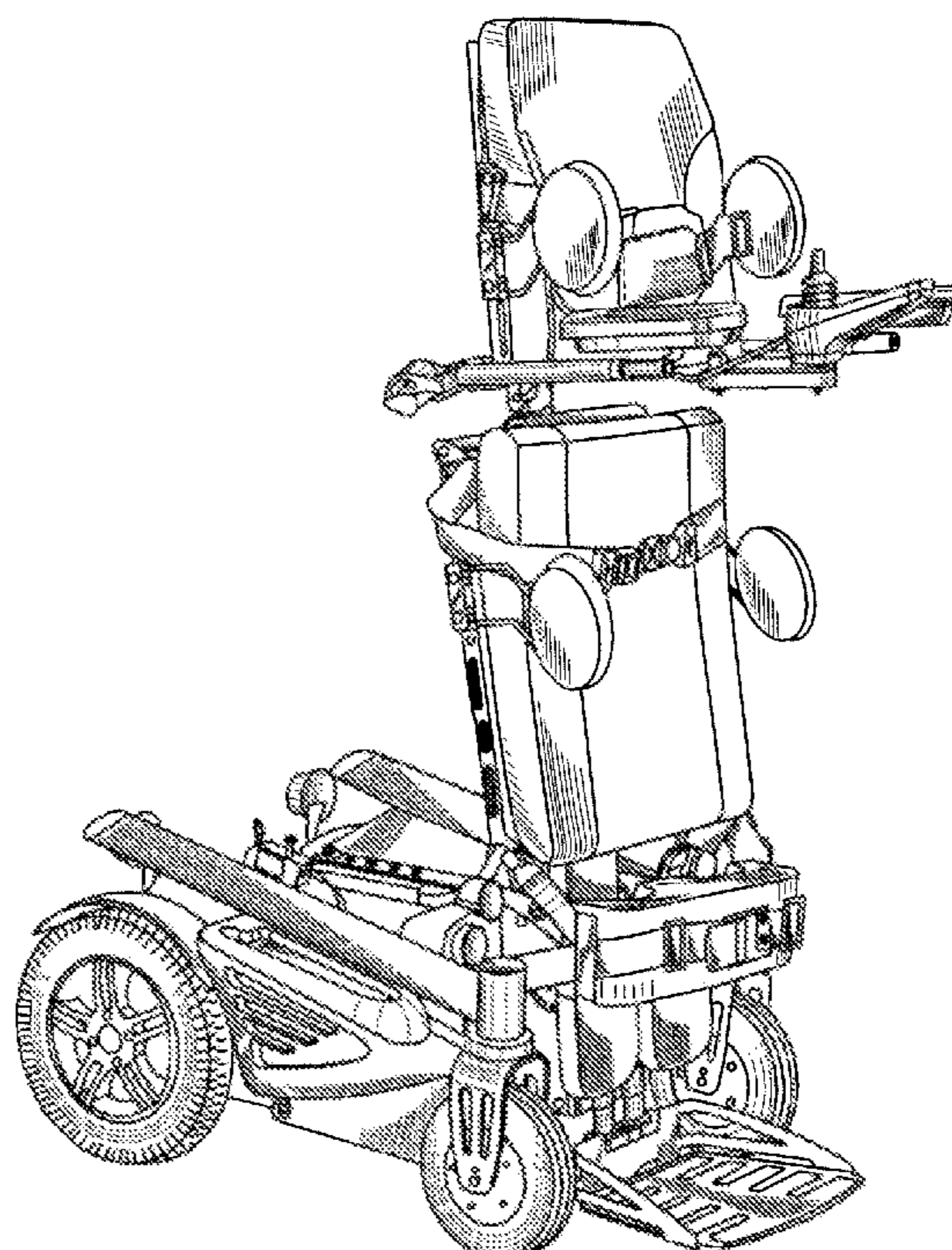
FIG. 4 is a rear view of the stand-up wheelchair in its elevated position;

FIG. 5 is a front view of the stand-up wheelchair in its seated position;

FIG. 6 is a front view of the stand-up wheelchair in its elevated position; and,

FIG. 7 is a top view of the stand up wheelchair in its elevated position.

**1 Claim, 7 Drawing Sheets**



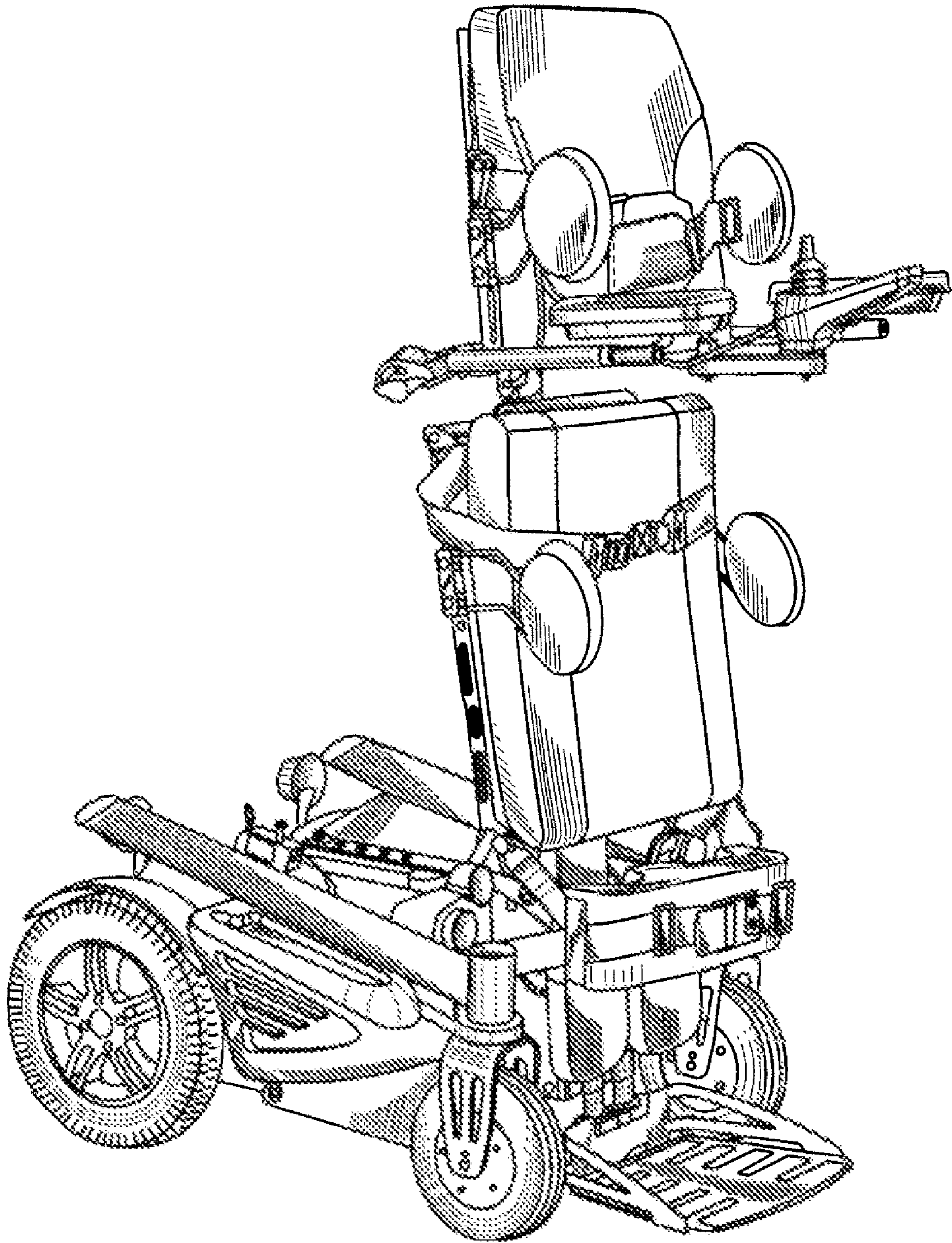


FIGURE 1

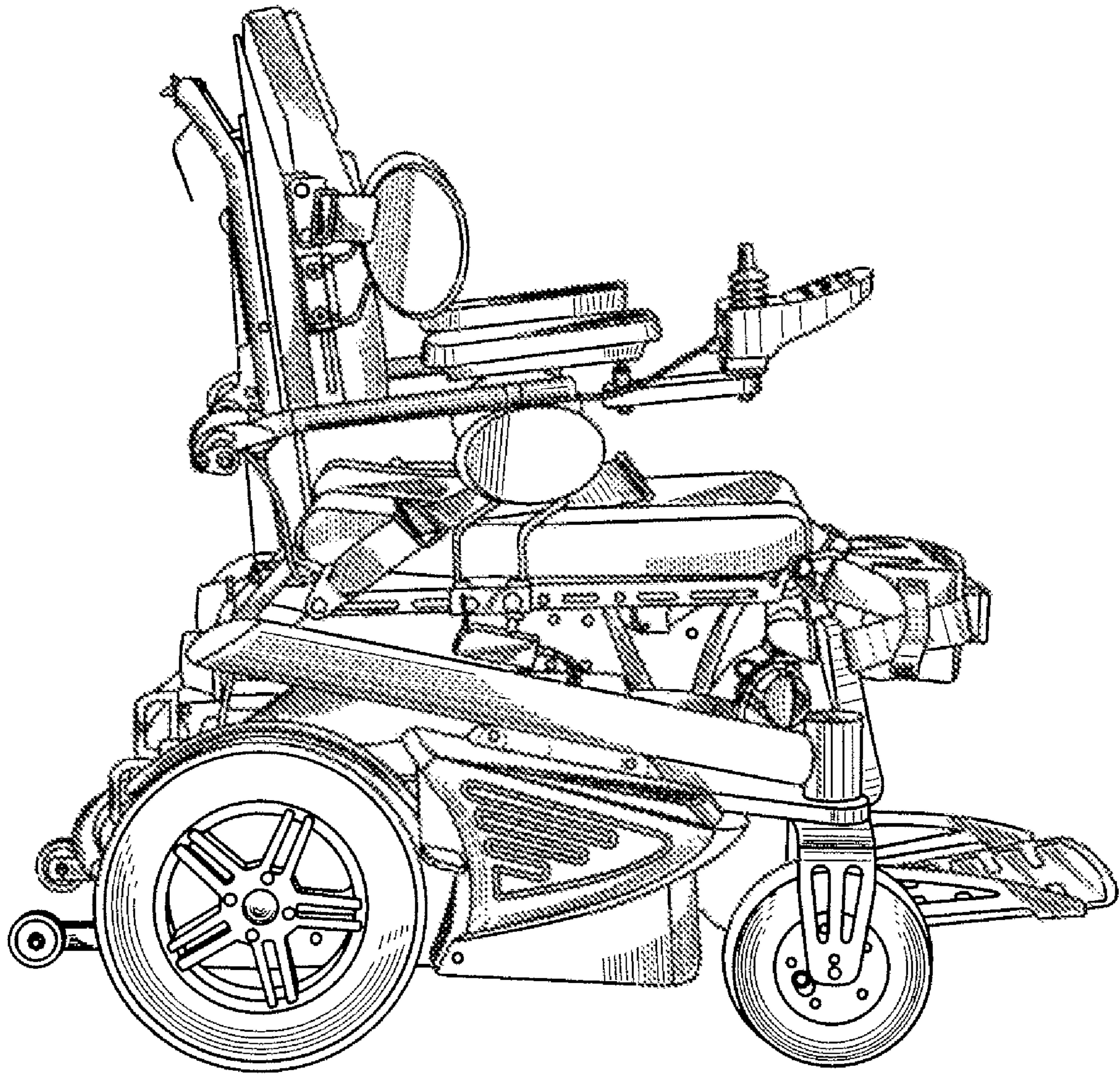


FIGURE 2

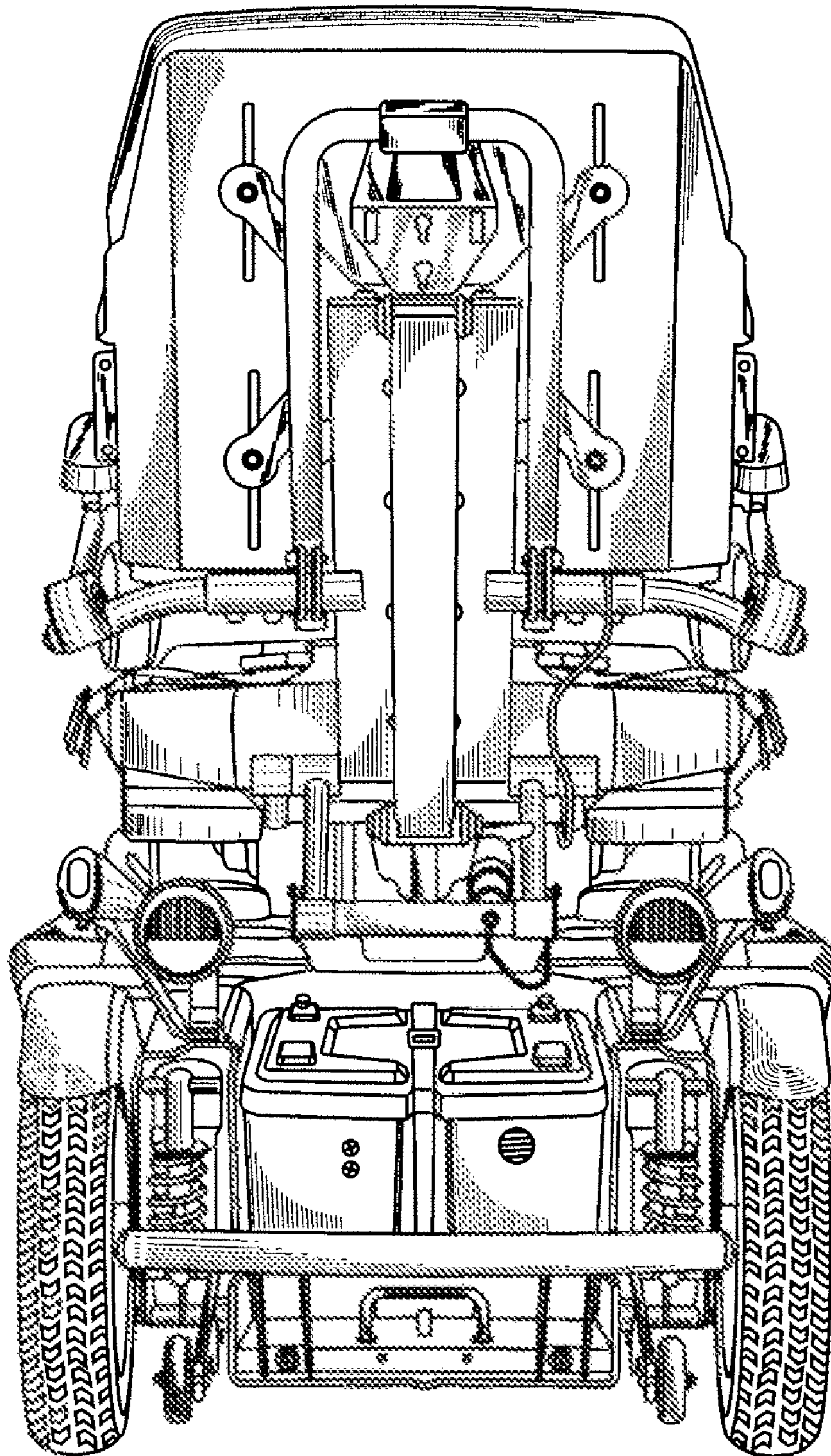


FIGURE 3

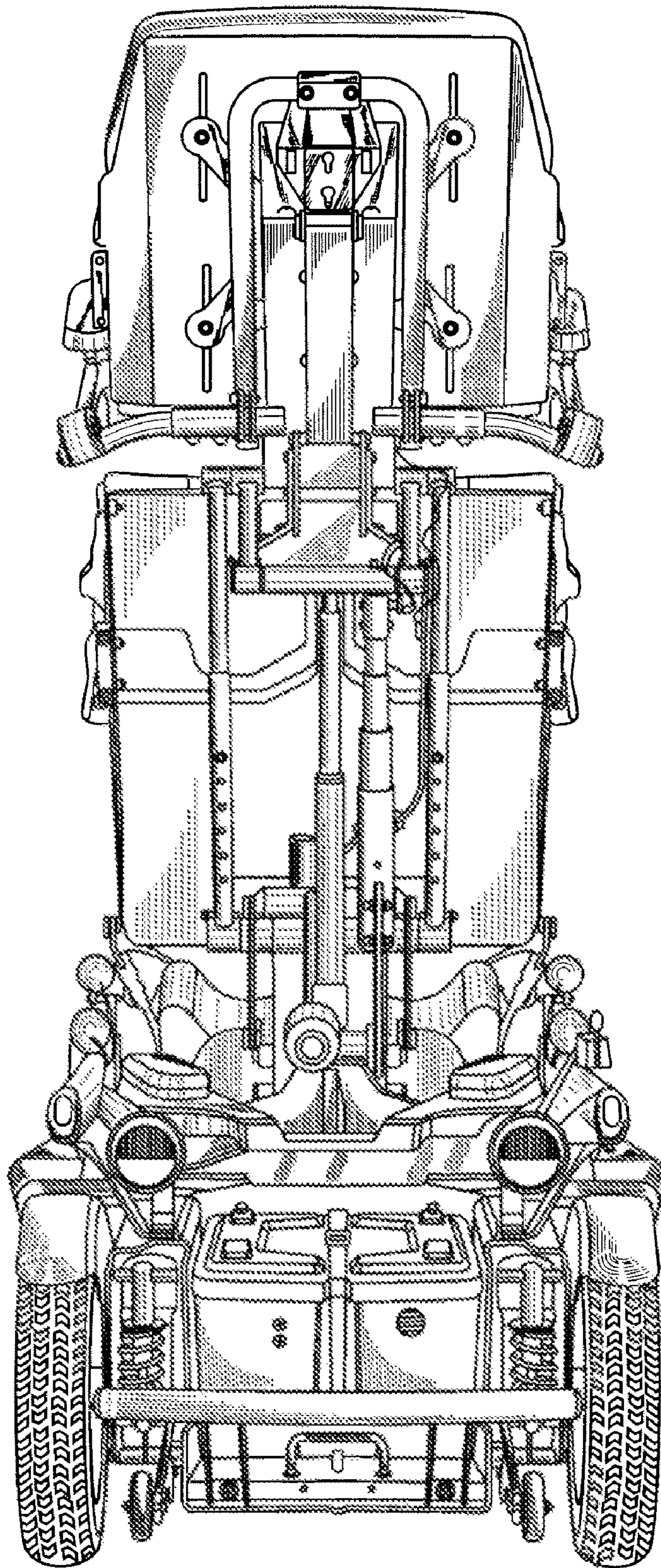


FIGURE 4

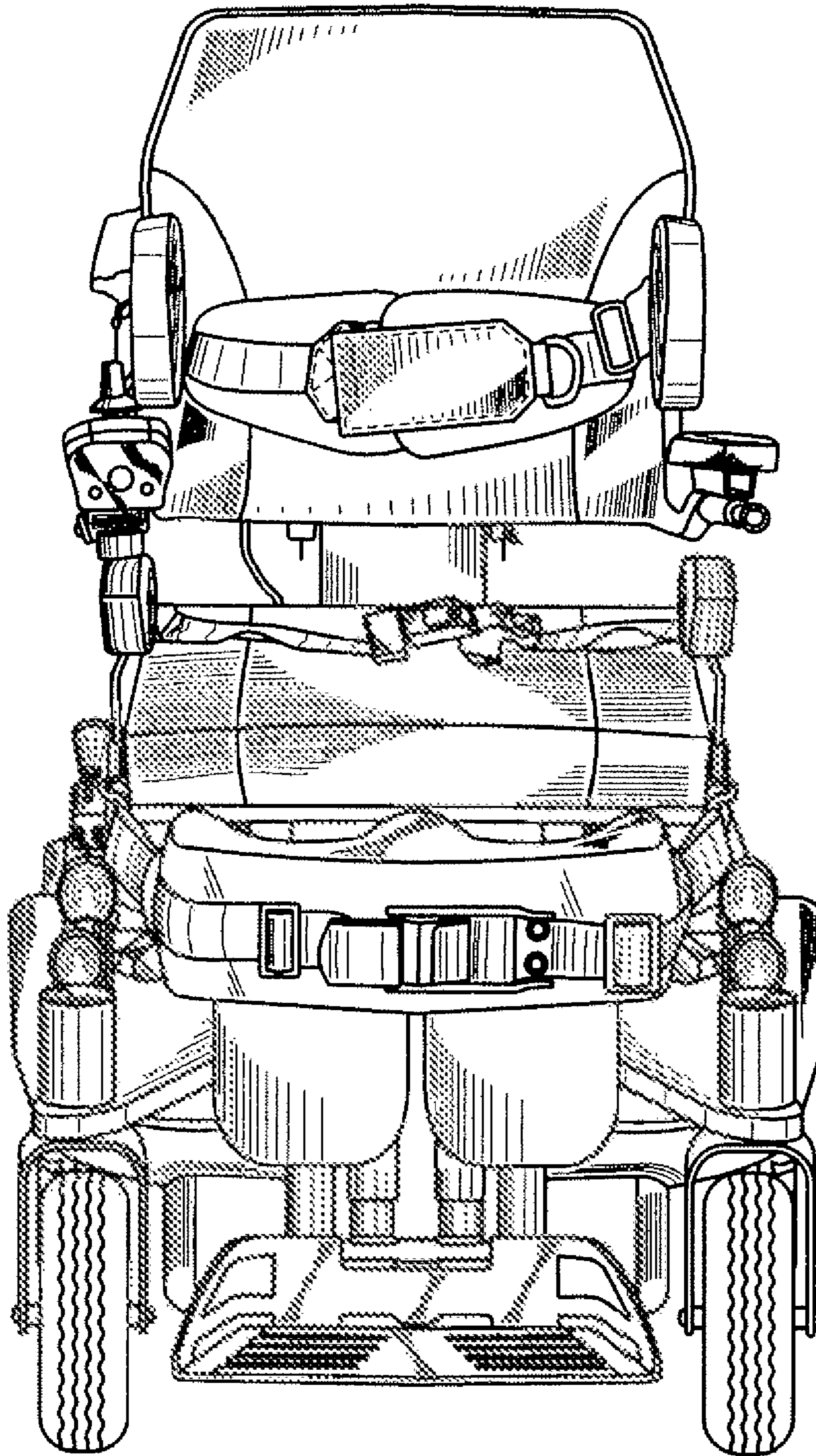


FIGURE 5

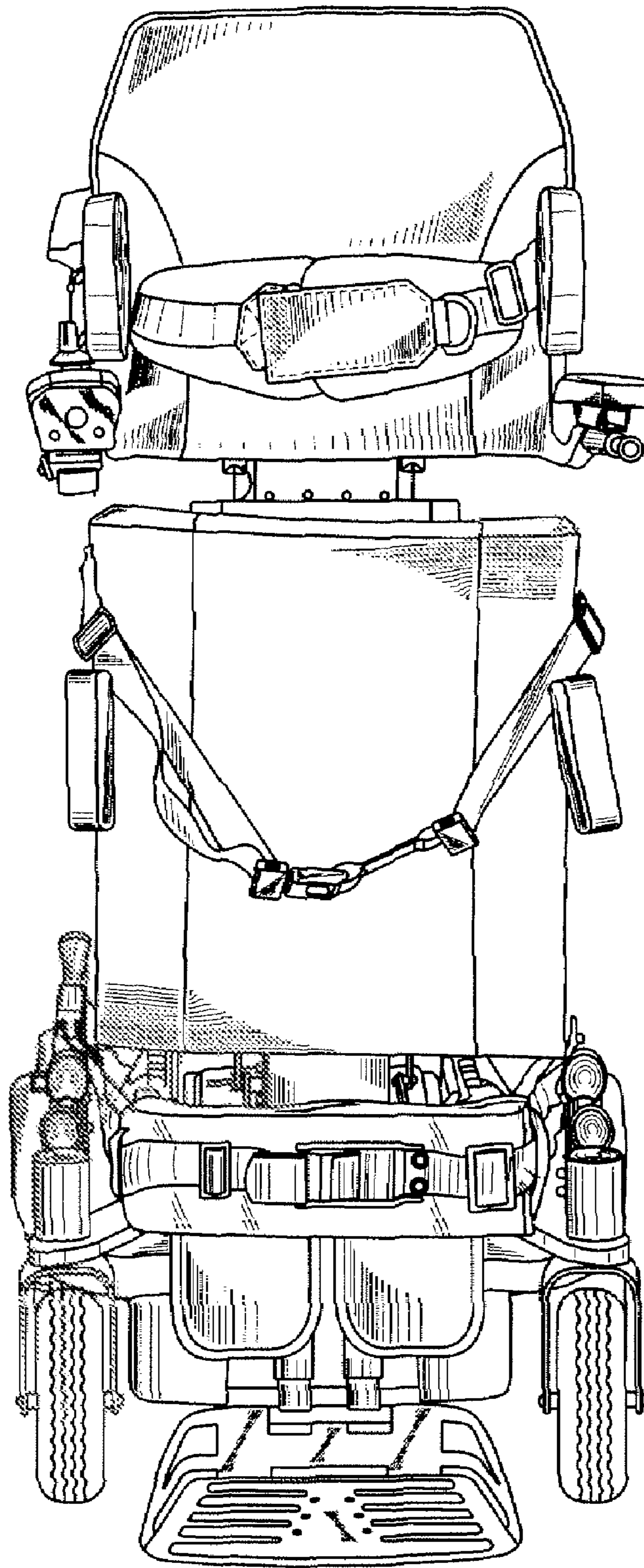


FIGURE 6

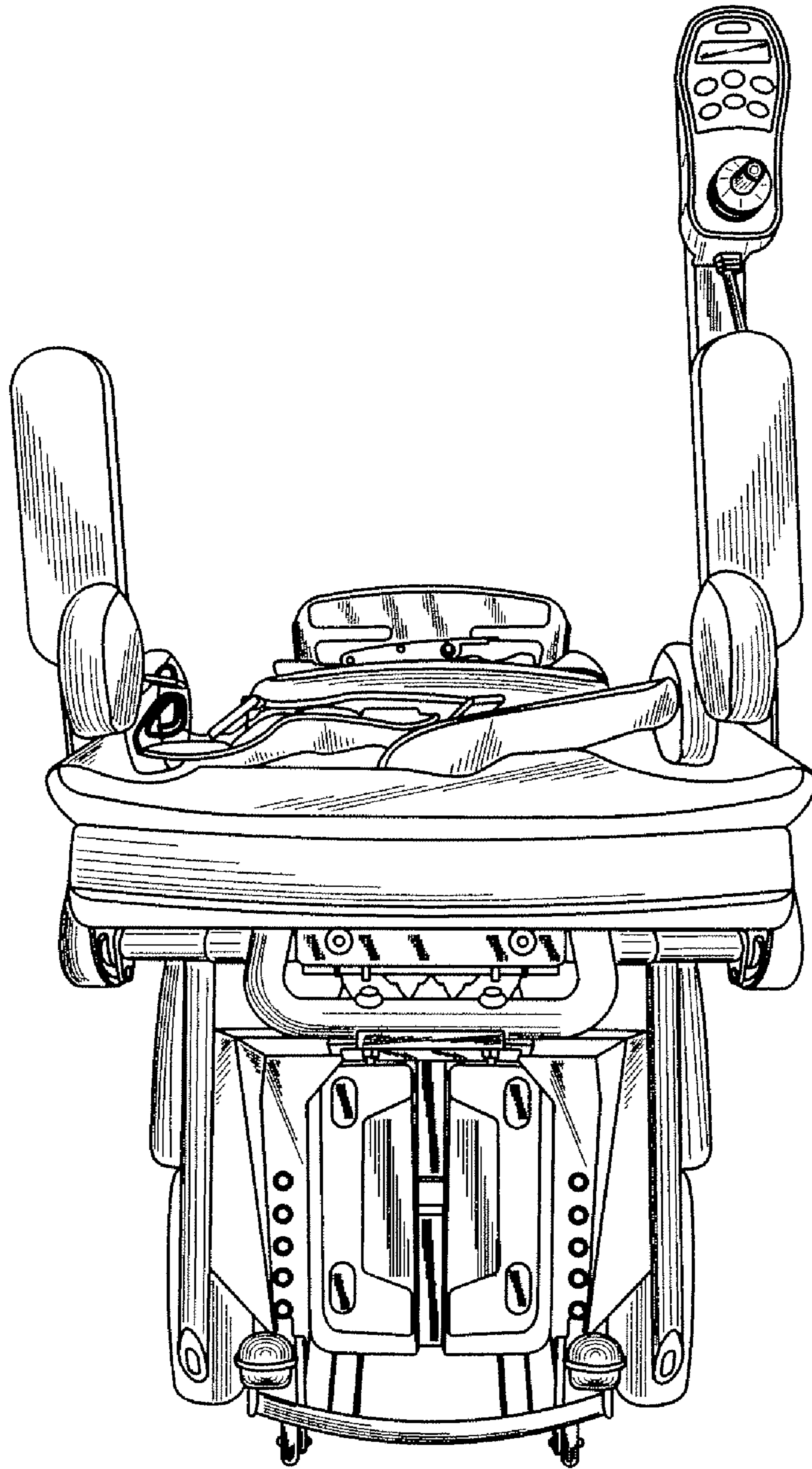


FIGURE 7