



US00D604207S

(12) **United States Design Patent**  
**Selzer et al.**

(10) **Patent No.:** **US D604,207 S**

(45) **Date of Patent:** **\*\* Nov. 17, 2009**

(54) **BICYCLE RACK**

(75) Inventors: **Jeff Selzer**, Palo Alto, CA (US); **Joseph Bellomo**, Mountain View, CA (US)

(73) Assignee: **Bike Arc LLC**, Palo Alto, CA (US)

(\*\*) Term: **14 Years**

(21) Appl. No.: **29/330,894**

(22) Filed: **Jan. 15, 2009**

(51) **LOC (9) Cl.** ..... **12-11**

(52) **U.S. Cl.** ..... **D12/115**

(58) **Field of Classification Search** ..... D12/115,  
D12/120, 408; 211/5, 17-22, 60.1, 70.1,  
211/85.7; 280/293; 248/176.1, 551, 299.1,  
248/309.1; D6/552, 553, 449; 224/411,  
224/412, 42.13, 42.3, 403, 309, 533-537,  
224/924

See application file for complete search history.

(56) **References Cited**

**U.S. PATENT DOCUMENTS**

D230,780 S *	3/1974	Myers	.....	D12/115
D233,885 S *	12/1974	Myers	.....	D12/115
D391,902 S *	3/1998	Pappas	.....	D12/115
D391,903 S *	3/1998	Pappas	.....	D12/115
5,941,397 A *	8/1999	Buchanan et al.	.....	211/19
D497,873 S *	11/2004	Graber	.....	D12/407
D585,793 S *	2/2009	Skalka	.....	D12/115

\* cited by examiner

*Primary Examiner*—Cathron C Brooks

*Assistant Examiner*—Linda Brooks

(74) *Attorney, Agent, or Firm*—Gina C. Freschi; Bozicevic, Field & Francis LLP

(57) **CLAIM**

The ornamental design for a bicycle rack, substantially as shown and described.

**DESCRIPTION**

A unique structural design, which may be employed for the parking, locking and/or storage of bicycles, fundamentally in the shape of an “arc.”

FIG. 1 is a front perspective view of the new bicycle rack;

FIG. 2 is a front elevational view thereof;

FIG. 3 is a rear elevational view thereof;

FIG. 4 is a left-side elevational view thereof;

FIG. 5 is a right-side elevational view thereof;

FIG. 6 is a top plan view thereof;

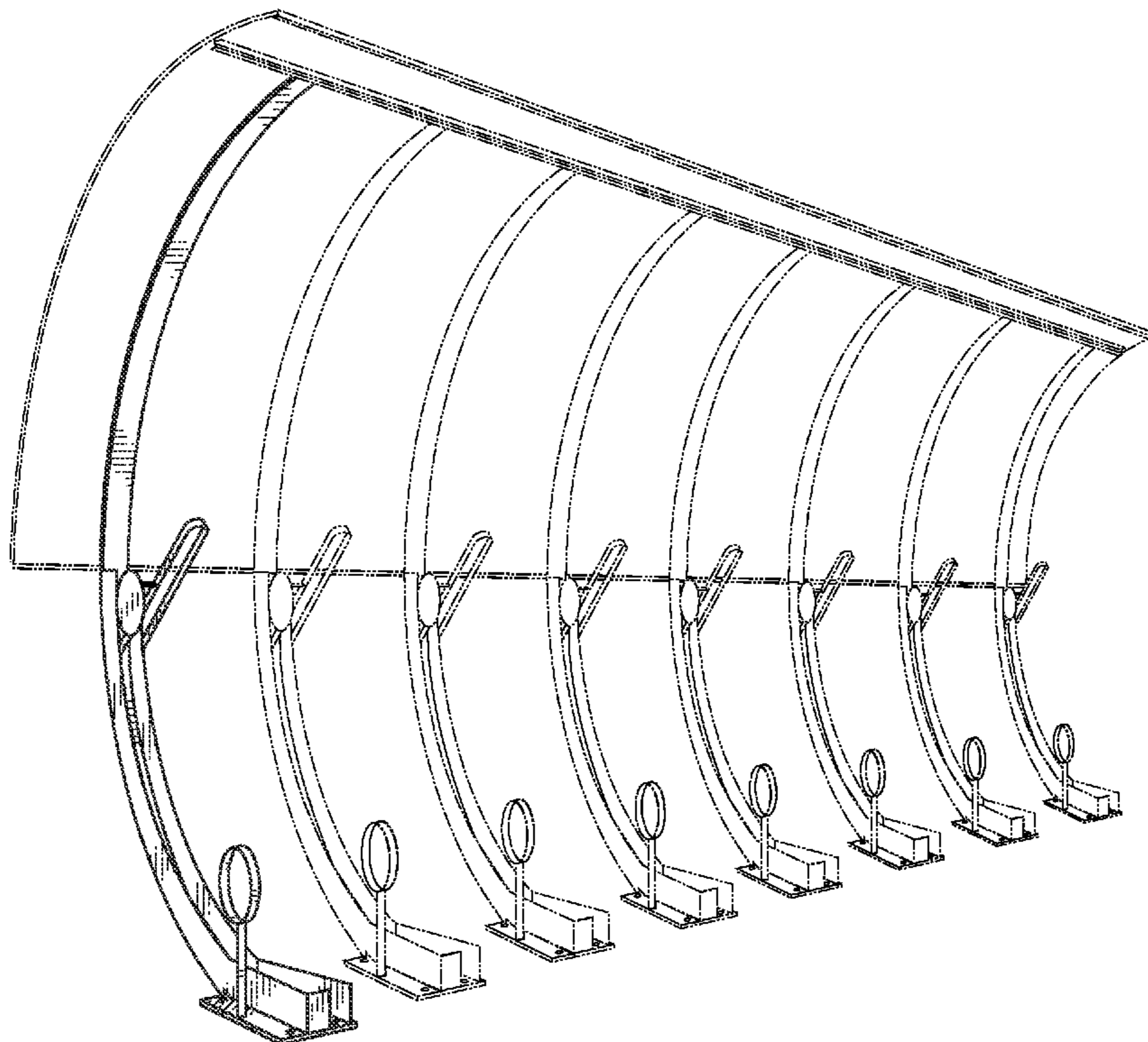
FIG. 7 is a bottom plan view thereof; and,

FIG. 8 is an alternate front perspective view thereof.

The broken lines illustrate unclaimed environmental structure and additional bicycle racks.

The bicycle rack may be positioned in any manner.

**1 Claim, 7 Drawing Sheets**



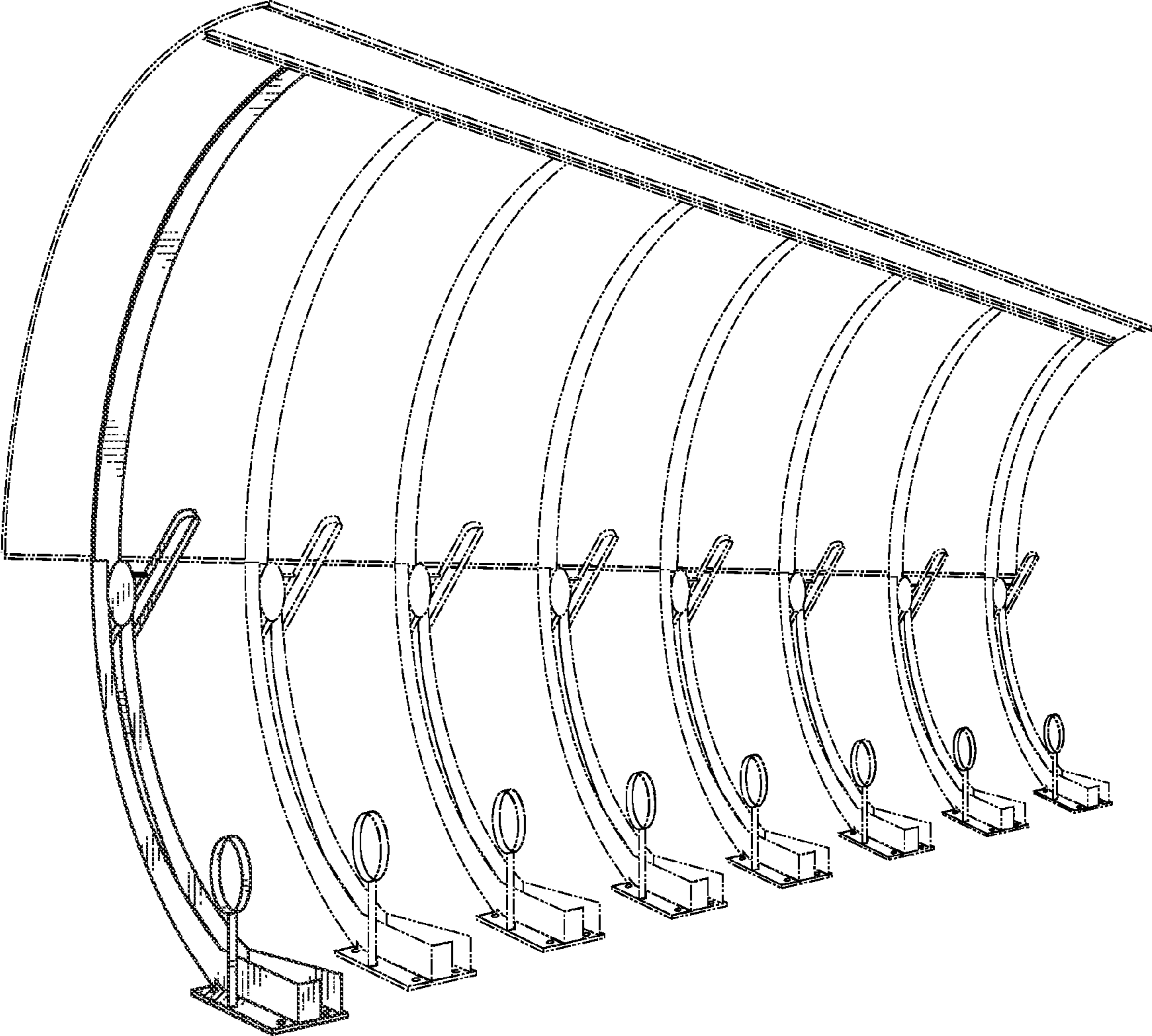


FIG. 1

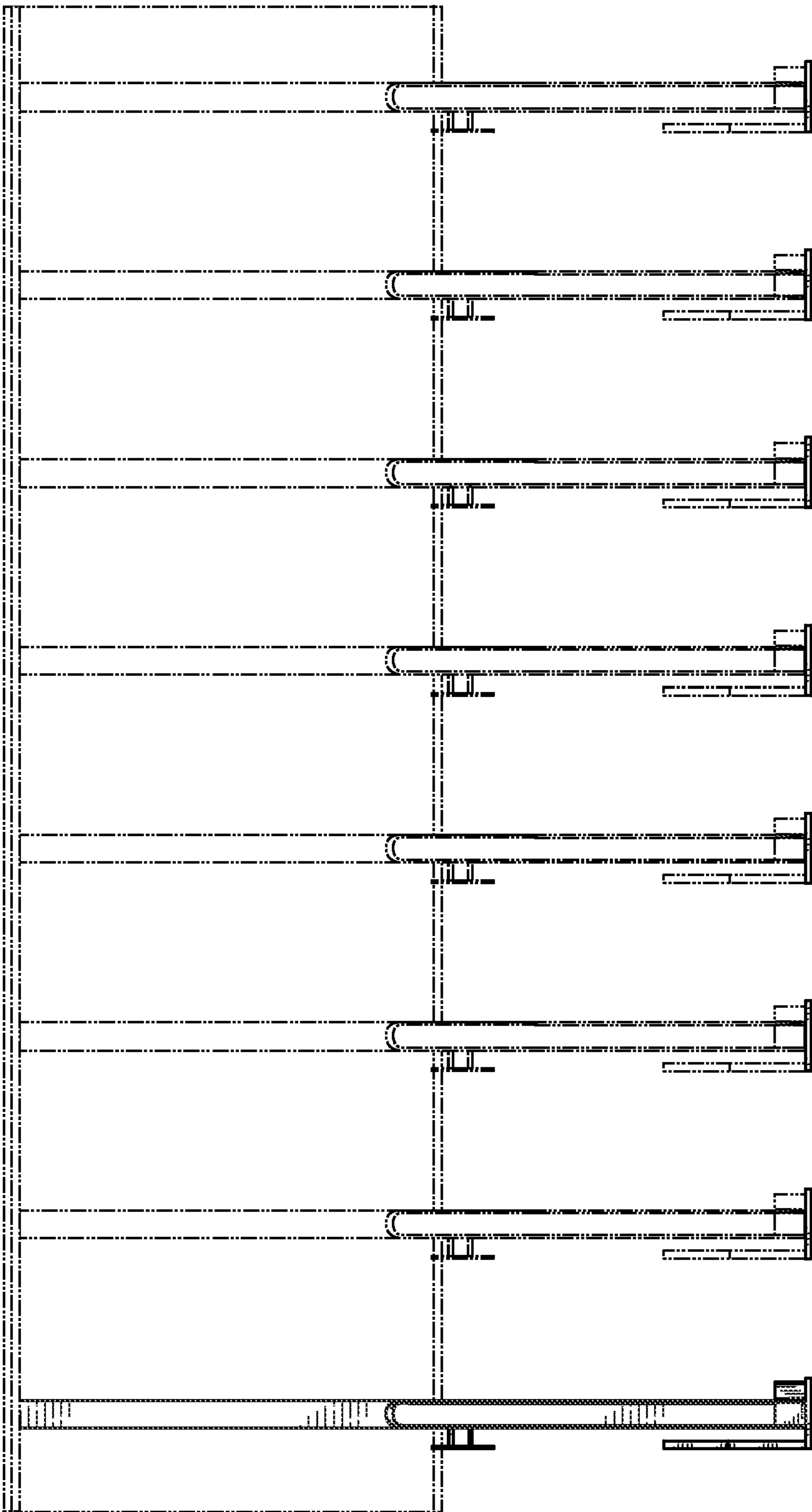


FIG. 2

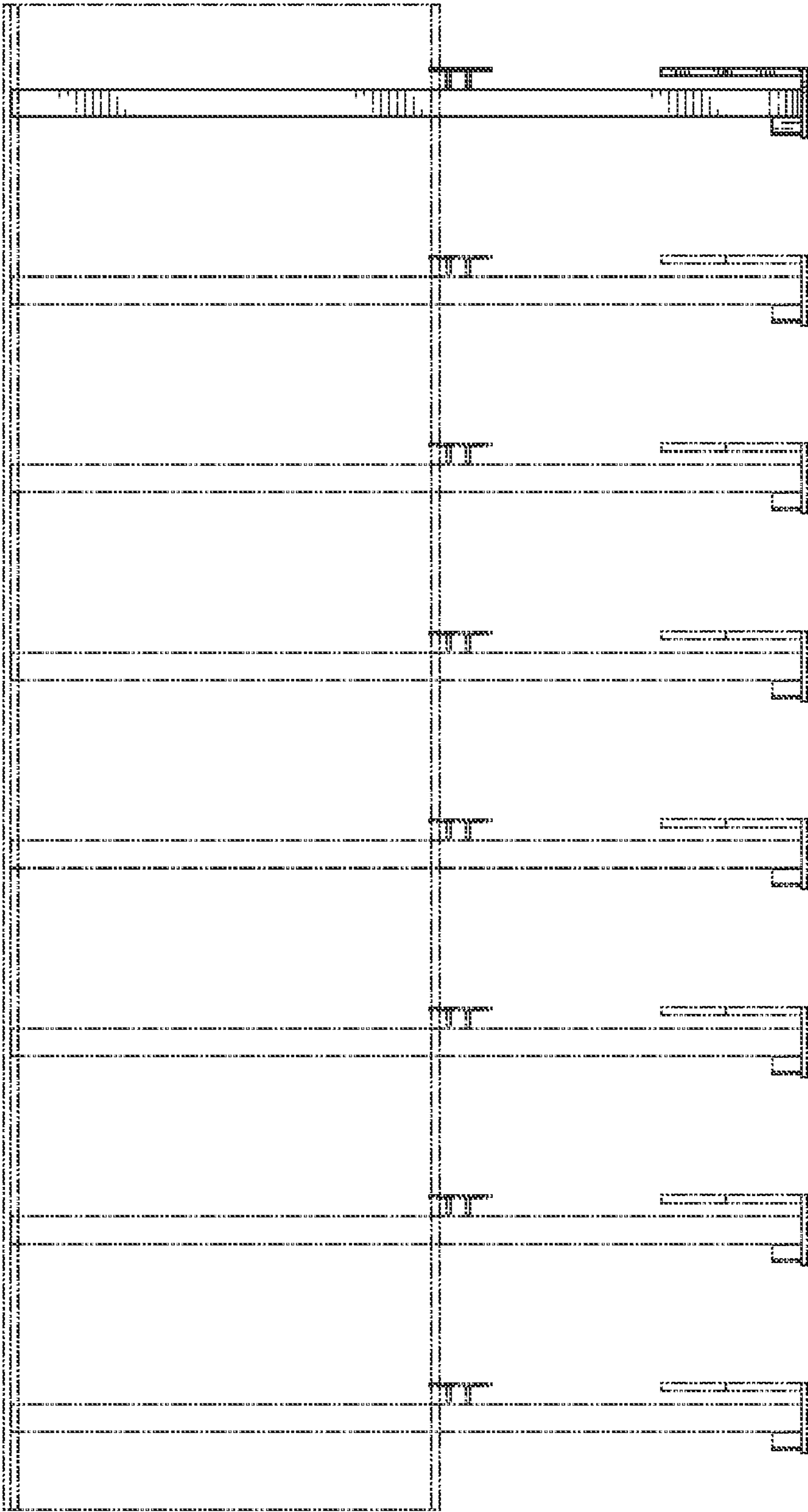


FIG. 3



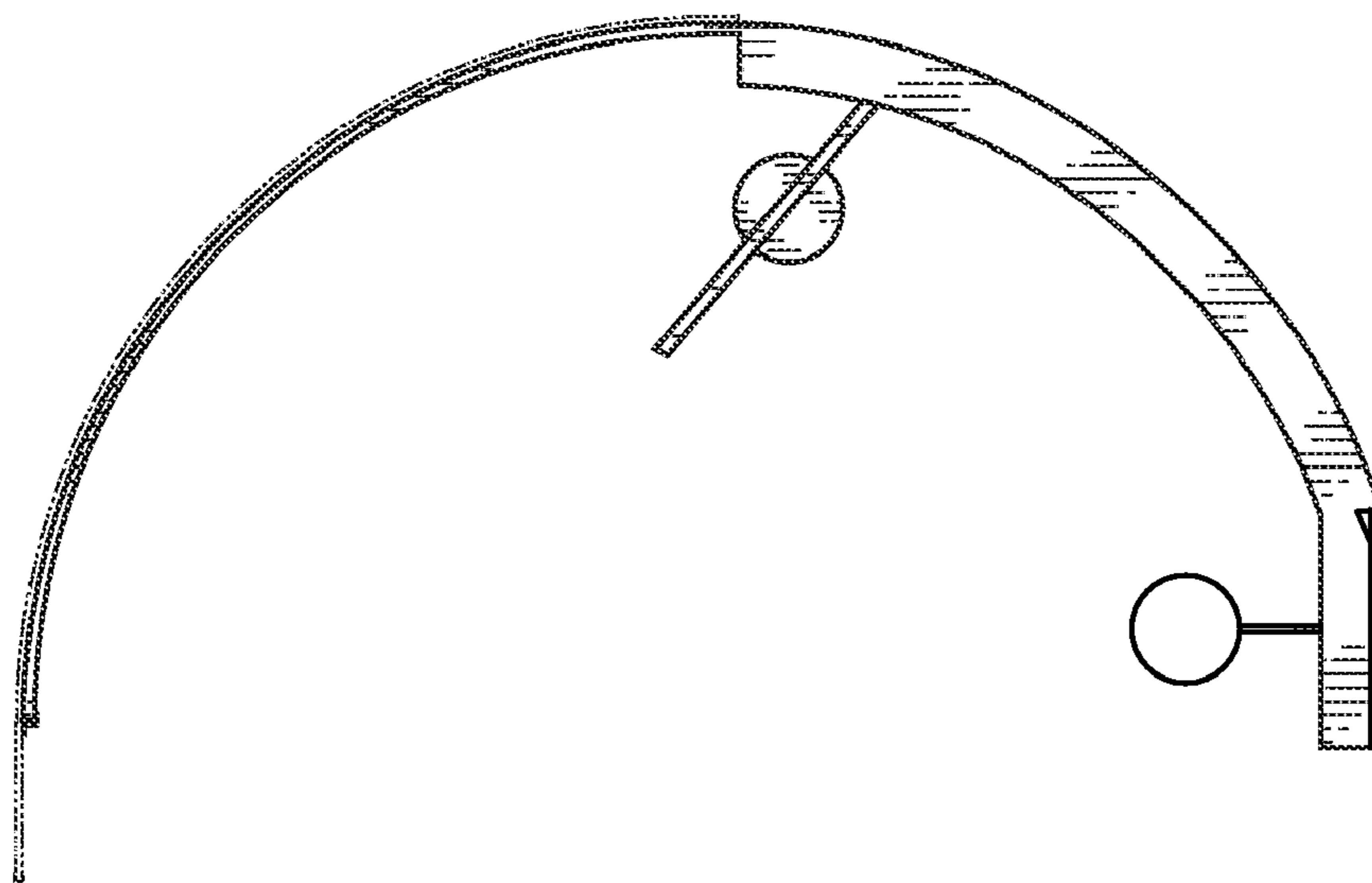


FIG. 5

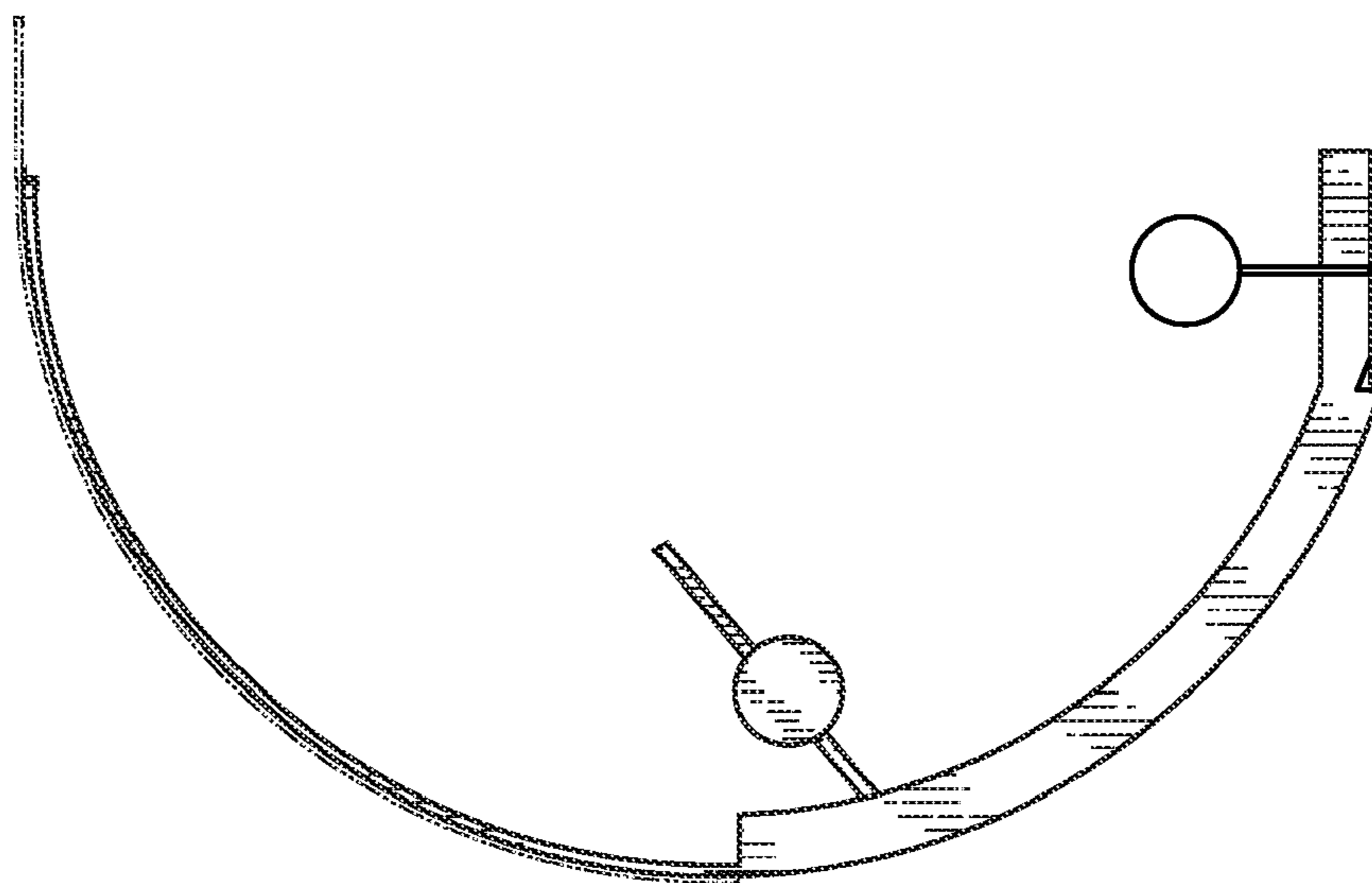


FIG. 4

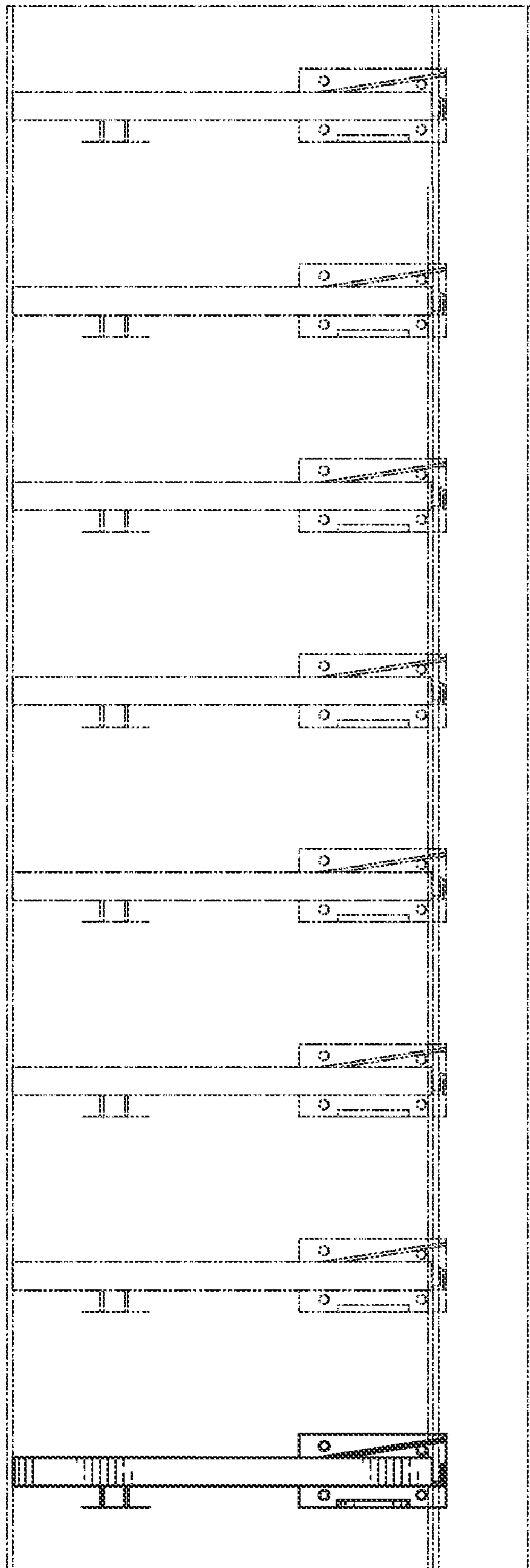


FIG. 6

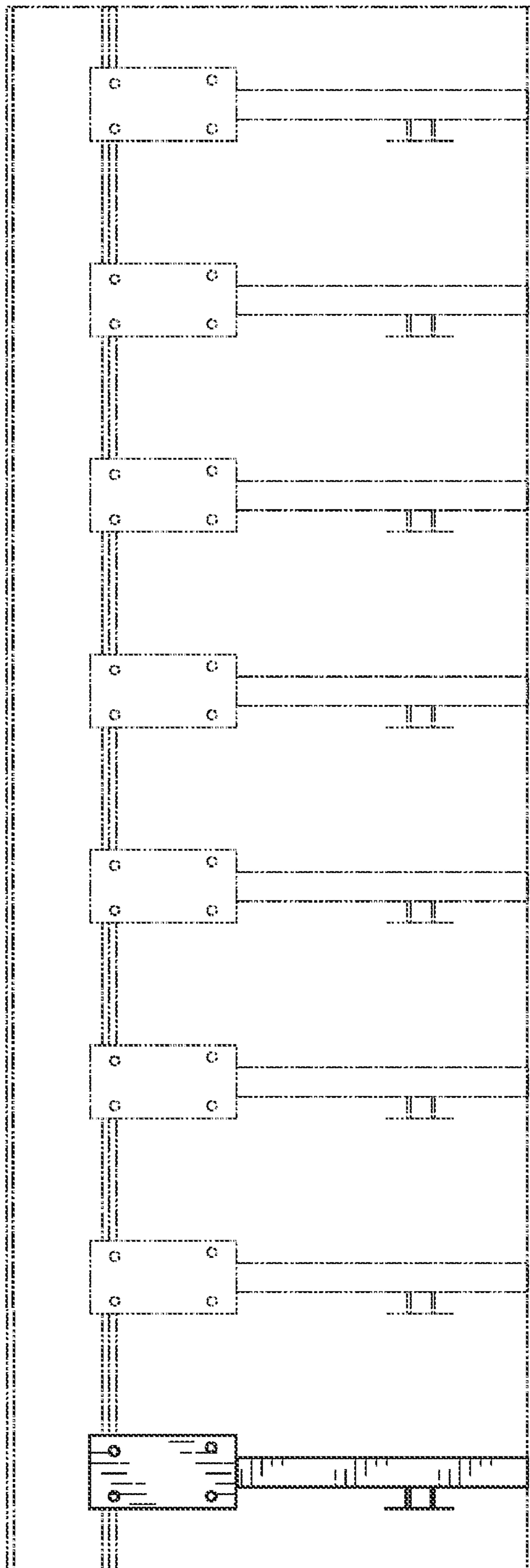


FIG. 7

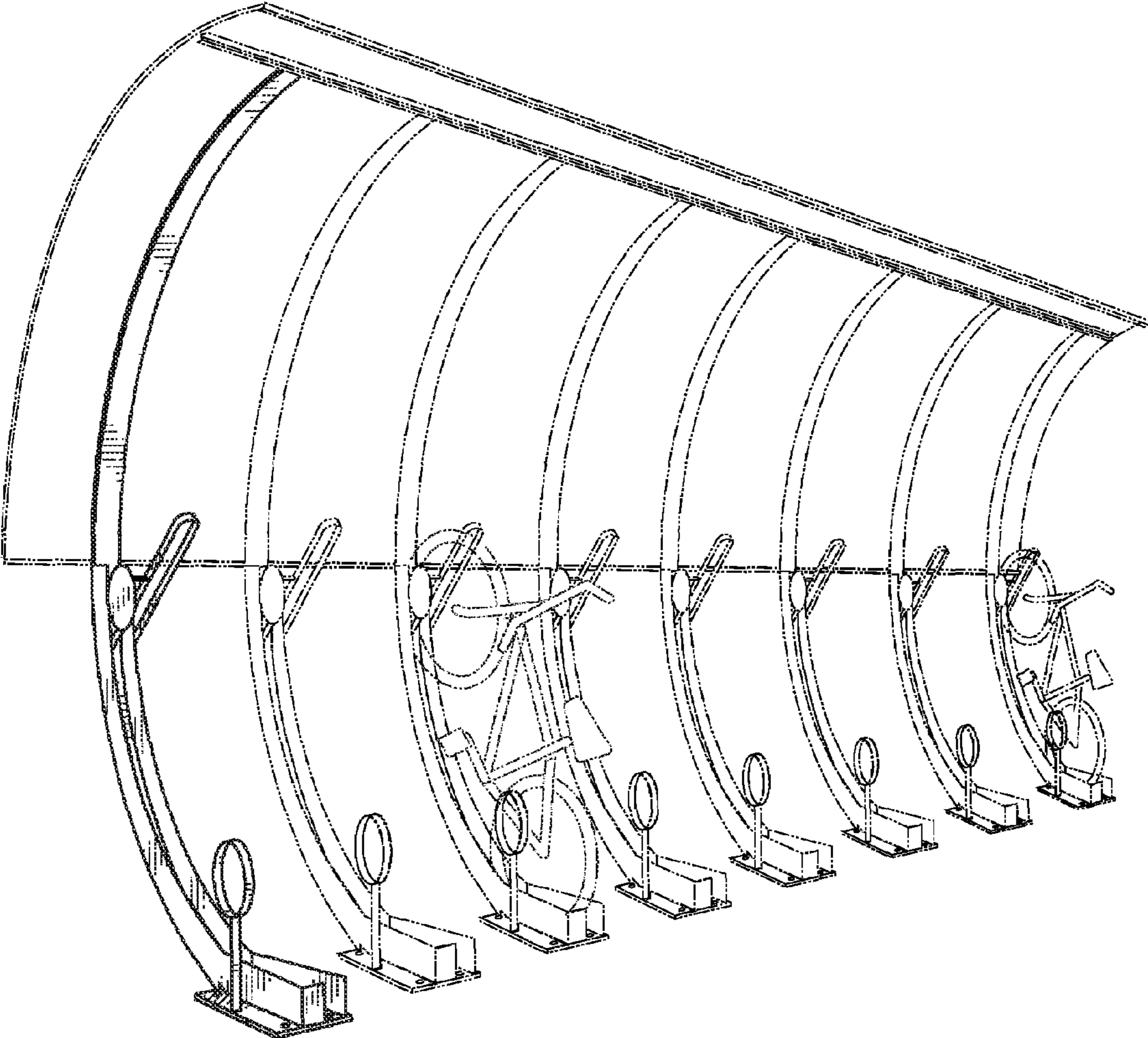


FIG. 8