



US00D604206S

(12) **United States Design Patent**  
**Selzer et al.**

(10) **Patent No.:** **US D604,206 S**

(45) **Date of Patent:** **\*\* Nov. 17, 2009**

(54) **BICYCLE RACK**

D497,873 S \* 11/2004 Graber ..... D12/407  
D585,793 S \* 2/2009 Skalka ..... D12/115

(75) Inventors: **Jeff Selzer**, Palo Alto, CA (US); **Joseph Bellomo**, Mountain View, CA (US)

\* cited by examiner

(73) Assignee: **Bike Arc LLC**, Palo Alto, CA (US)

*Primary Examiner*—Robin V Webster

(\*\*) Term: **14 Years**

*Assistant Examiner*—Linda Brooks

(21) Appl. No.: **29/330,892**

(74) *Attorney, Agent, or Firm*—Gina C. Freschi; Bozicevic, Field & Francis LLP

(22) Filed: **Jan. 15, 2009**

(57) **CLAIM**

(51) **LOC (9) Cl.** ..... **12-11**

The ornamental design for a bicycle rack, substantially as shown and described.

(52) **U.S. Cl.** ..... **D12/115**

**DESCRIPTION**

(58) **Field of Classification Search** ..... D12/115,  
D12/120, 408; 211/5, 17–22, 60.1, 70.1,  
211/85.7; 280/293; 248/176.1, 551, 299.1,  
248/309.1; D6/552, 553, 449; 224/411,  
224/412, 42.13, 42.3, 403, 309, 533–537,  
224/924

FIG. 1 is a front perspective view of the new bicycle rack;

FIG. 2 is a front elevational view thereof;

FIG. 3 is a rear elevational view thereof;

FIG. 4 is a left-side elevational view thereof;

FIG. 5 is a right-side elevational view thereof;

FIG. 6 is a top plan view thereof;

FIG. 7 is a bottom plan view thereof; and,

FIG. 8 is an alternate front perspective view thereof, with a bicycle shown in broken lines to illustrate the environment of the bicycle rack and forming no part of the claimed design.

See application file for complete search history.

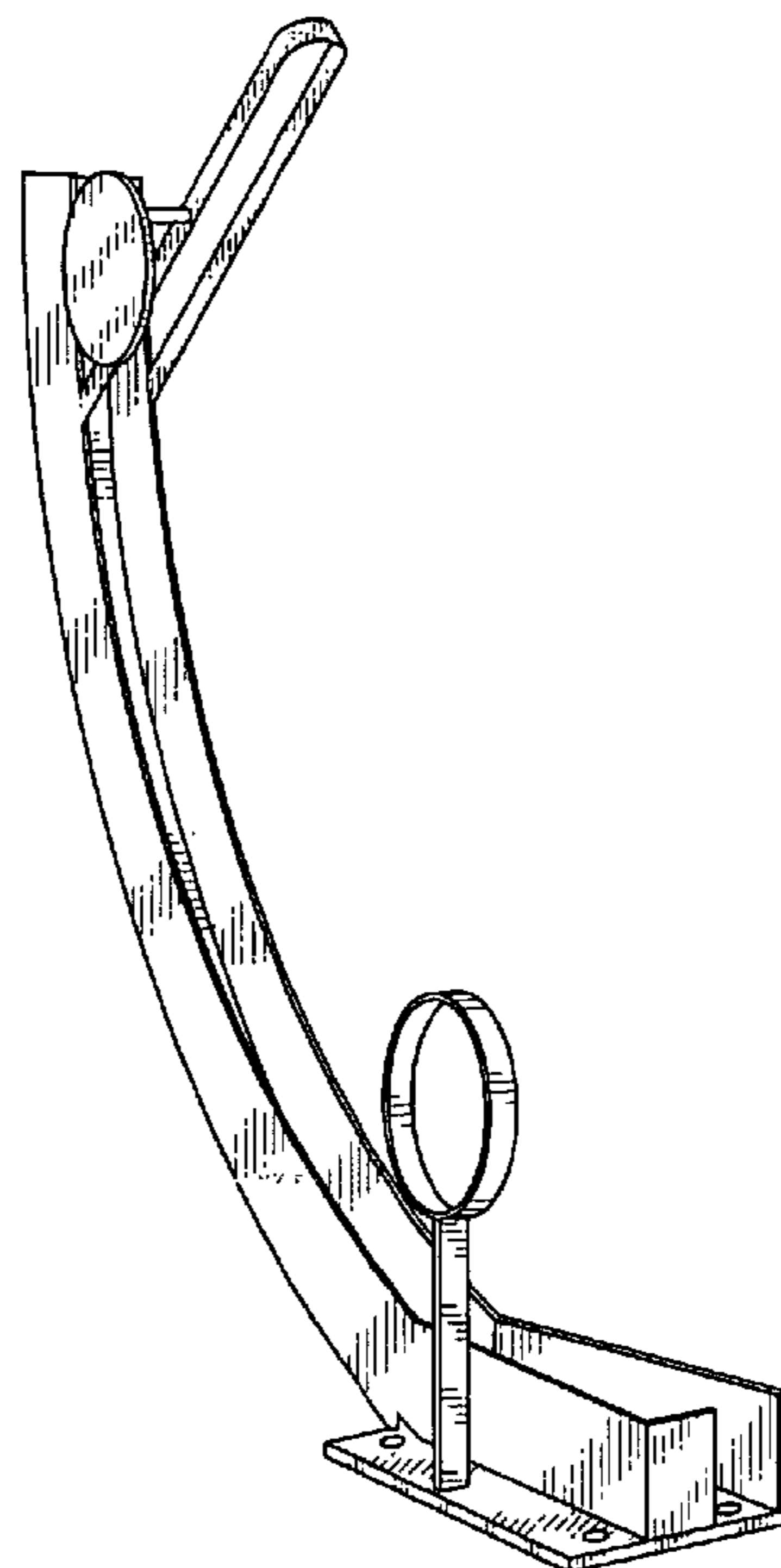
A unique structural design, which may be employed for the parking, locking and/or storage of bicycles, fundamentally in the shape of an “arc.”

(56) **References Cited**

U.S. PATENT DOCUMENTS

D230,780 S \* 3/1974 Myers ..... D12/115  
D233,885 S \* 12/1974 Myers ..... D12/115  
D391,902 S \* 3/1998 Pappas ..... D12/115  
D391,903 S \* 3/1998 Pappas ..... D12/115  
5,941,397 A \* 8/1999 Buchanan et al. .... 211/19

**1 Claim, 5 Drawing Sheets**



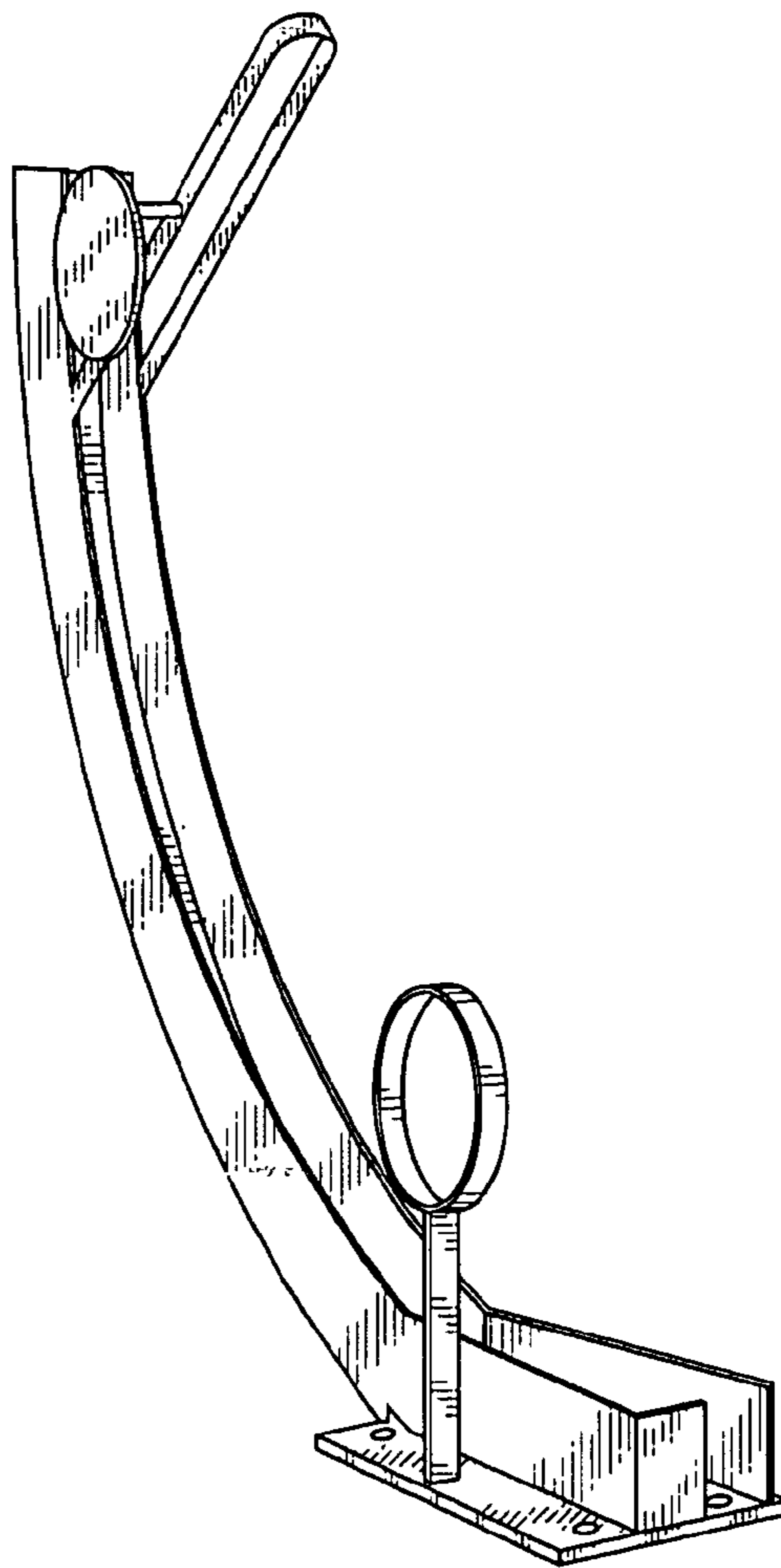


FIG. 1

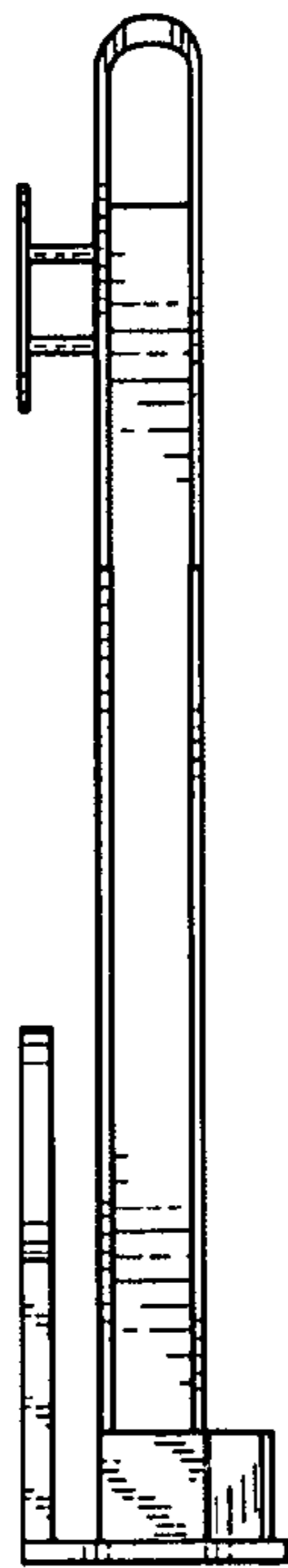


FIG. 2

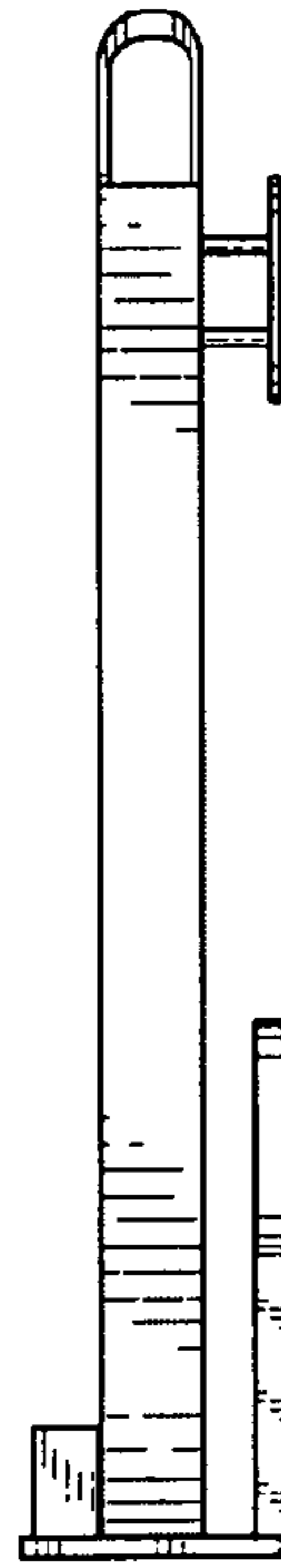


FIG. 3

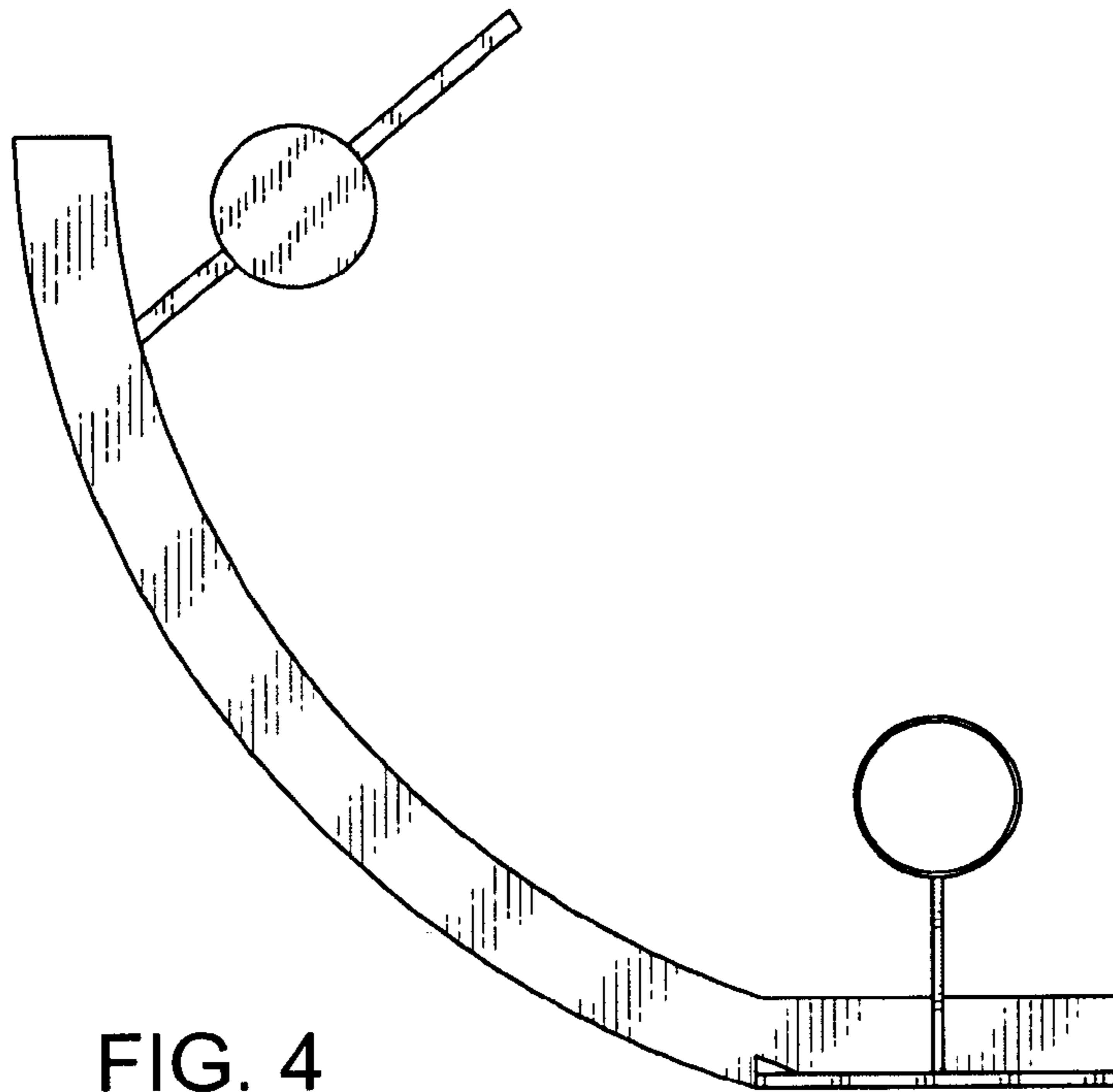


FIG. 4

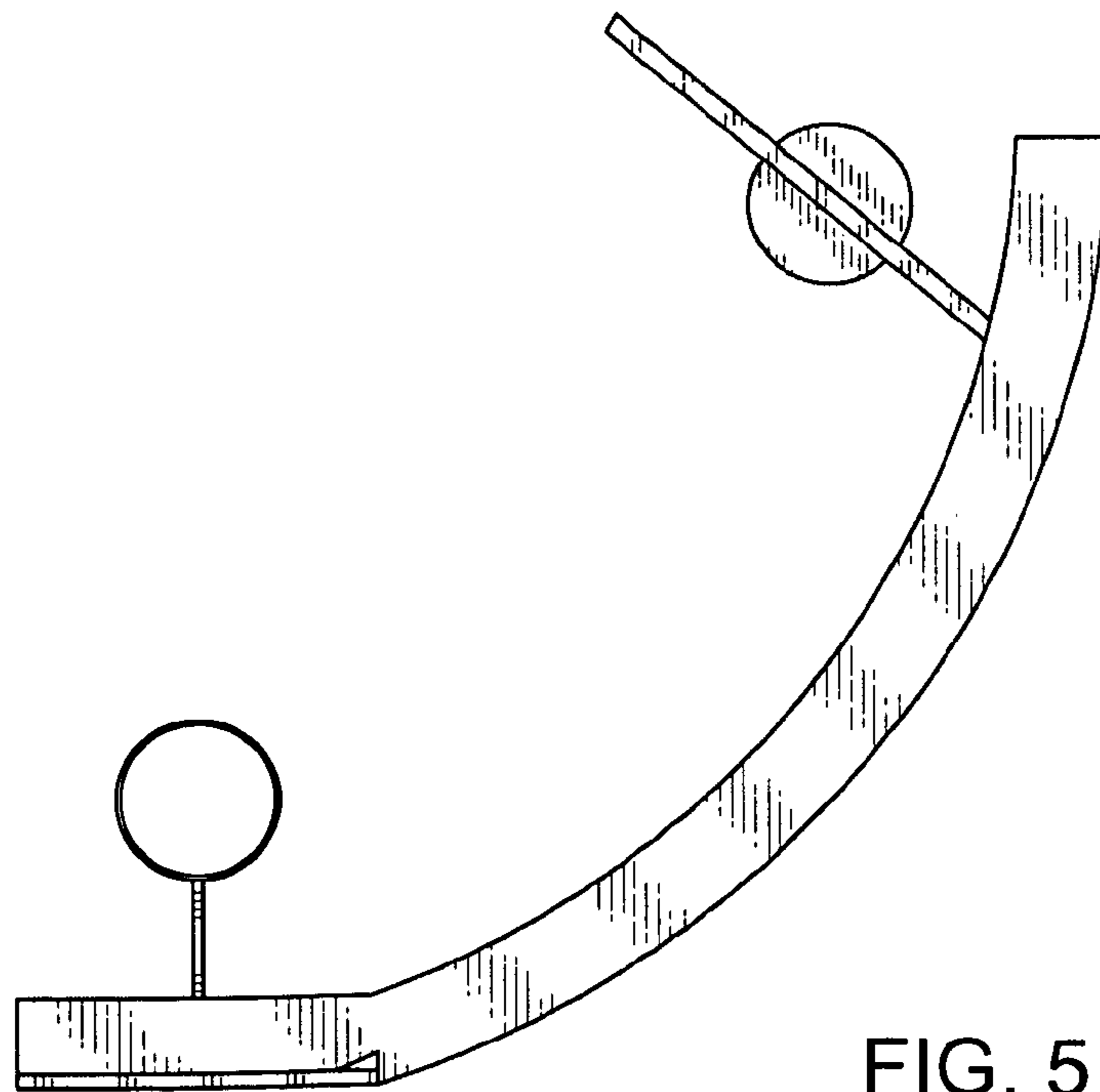


FIG. 5

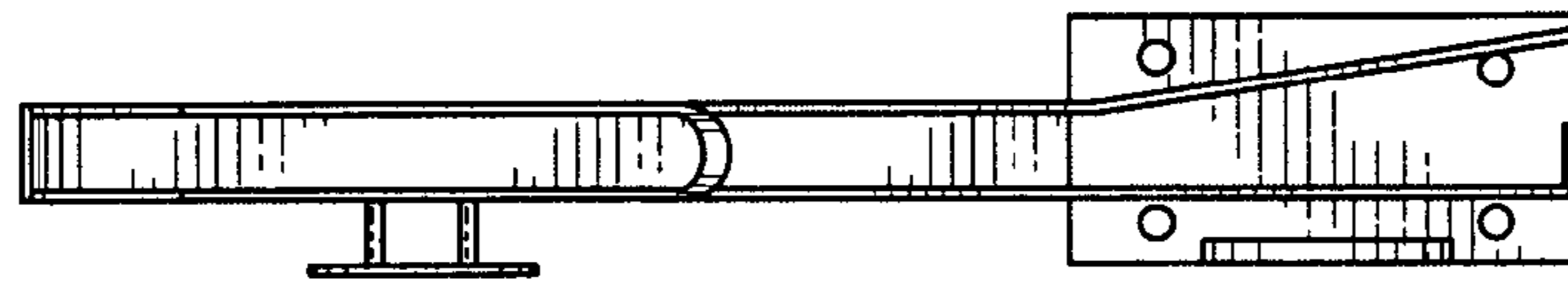


FIG. 6

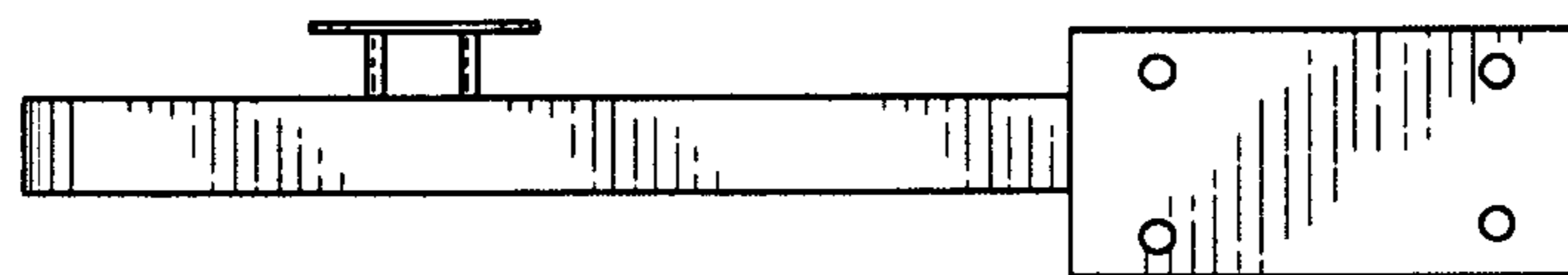


FIG. 7

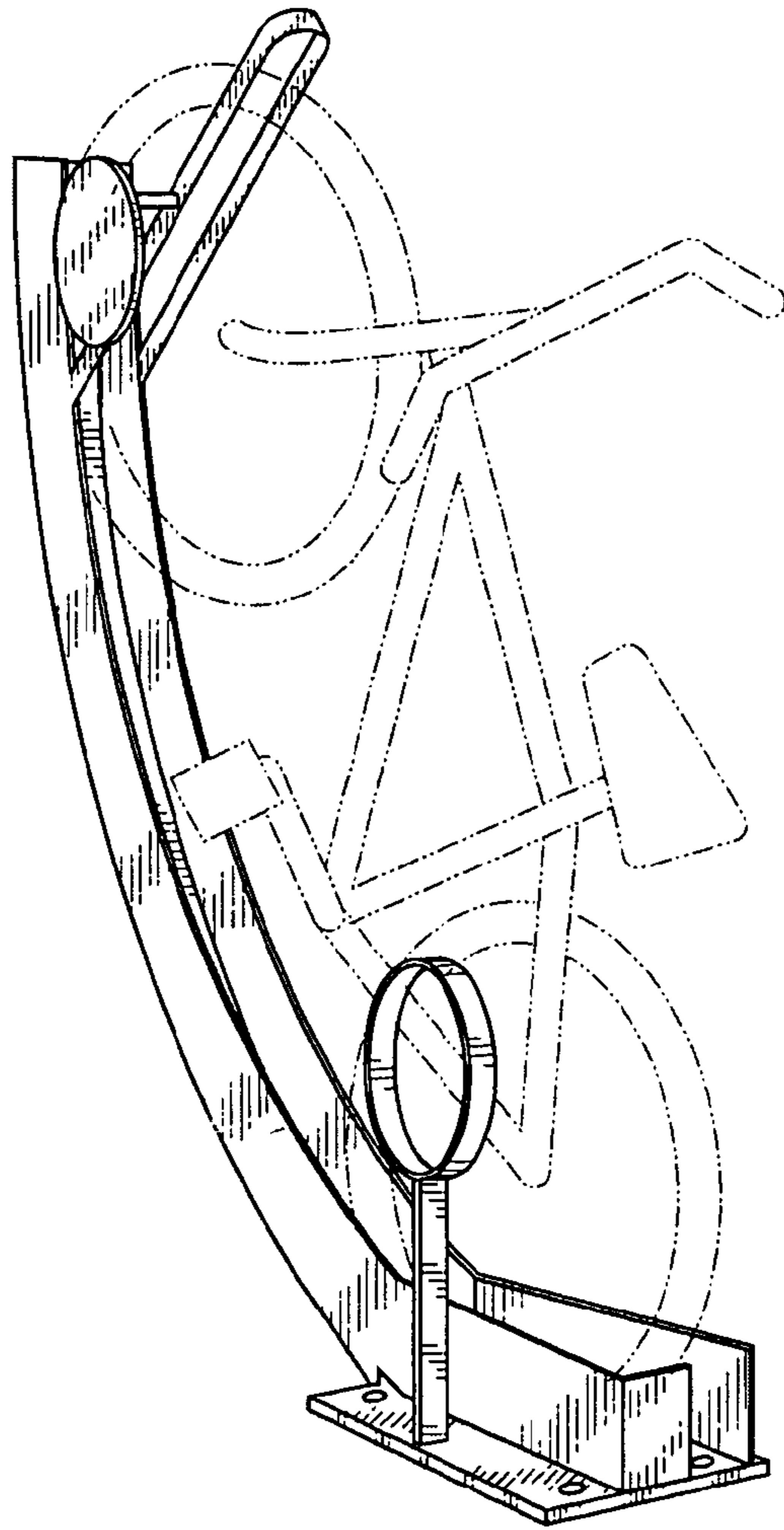


FIG. 8