



US00D604202S

(12) **United States Design Patent**  
**Bischoff et al.**

(10) **Patent No.:** **US D604,202 S**  
(45) **Date of Patent:** **\*\* Nov. 17, 2009**

(54) **MOTOR VEHICLE**

(75) Inventors: **Klaus Bischoff**, Evessen (DE); **Thomas Ingenlath**, Potsdam (DE); **Christian Felske**, Berlin (DE)

(73) Assignee: **Volkswagen AG**, Wolfsburg (DE)

(\*\*) Term: **14 Years**

(21) Appl. No.: **29/333,464**

(22) Filed: **Mar. 10, 2009**

(30) **Foreign Application Priority Data**

Sep. 10, 2008 (WO) ..... 459451201

(51) **LOC (9) Cl.** ..... **12-08**

(52) **U.S. Cl.** ..... **D12/92**

(58) **Field of Classification Search** ..... D12/86,  
D12/90-92; 296/181.1, 181.5

See application file for complete search history.

(56) **References Cited**

U.S. PATENT DOCUMENTS

D425,449 S *	5/2000	Sims et al.	.....	D12/92
D566,621 S *	4/2008	Lukasak et al.	.....	D12/92
D574,754 S *	8/2008	Miniati et al.	.....	D12/92
D575,676 S *	8/2008	Pfeiffer	.....	D12/91
D575,678 S *	8/2008	Matsumoto et al.	.....	D12/92
D593,001 S *	5/2009	Crijns	.....	D12/92
D593,905 S *	6/2009	Kasaba et al.	.....	D12/92

\* cited by examiner

*Primary Examiner*—Melody N Brown

(74) *Attorney, Agent, or Firm*—Lucas & Mercanti, LLP;  
Klaus P. Stoffel

(57) **CLAIM**

The original design for a motor vehicle, as shown and described.

**DESCRIPTION**

FIG. 1 is a front, right side perspective view of the motor vehicle of the present invention;

FIG. 2 is a front, left side perspective view thereof;

FIG. 3 is a rear, right side perspective view thereof;

FIG. 4 is a rear, left side perspective view thereof;

FIG. 5 is a right side view thereof;

FIG. 6 is a left side view thereof;

FIG. 7 is a front view thereof;

FIG. 8 is a rear view thereof;

FIG. 9 is a top view thereof;

FIG. 10 is a bottom view thereof;

FIG. 11 is a front, right side perspective view of the motor vehicle of the present invention with the top down;

FIG. 12 is a front, left side perspective view thereof;

FIG. 13 is a rear, right side perspective view thereof;

FIG. 14 is a rear, left side perspective view thereof;

FIG. 15 is a right side view thereof;

FIG. 16 is a left side view thereof;

FIG. 17 is a front view thereof;

FIG. 18 is a rear view thereof; and,

FIG. 19 is a top view thereof.

**1 Claim, 10 Drawing Sheets**



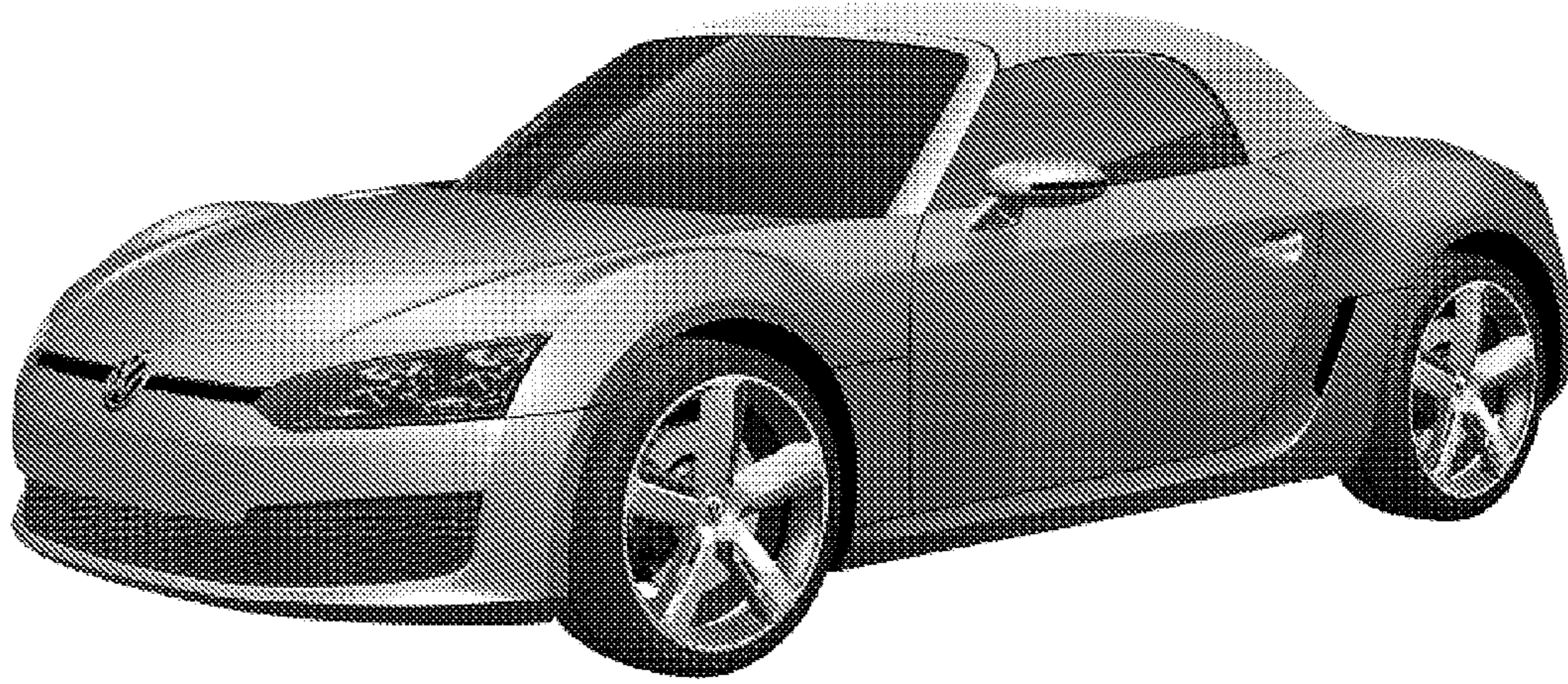


Fig. 1

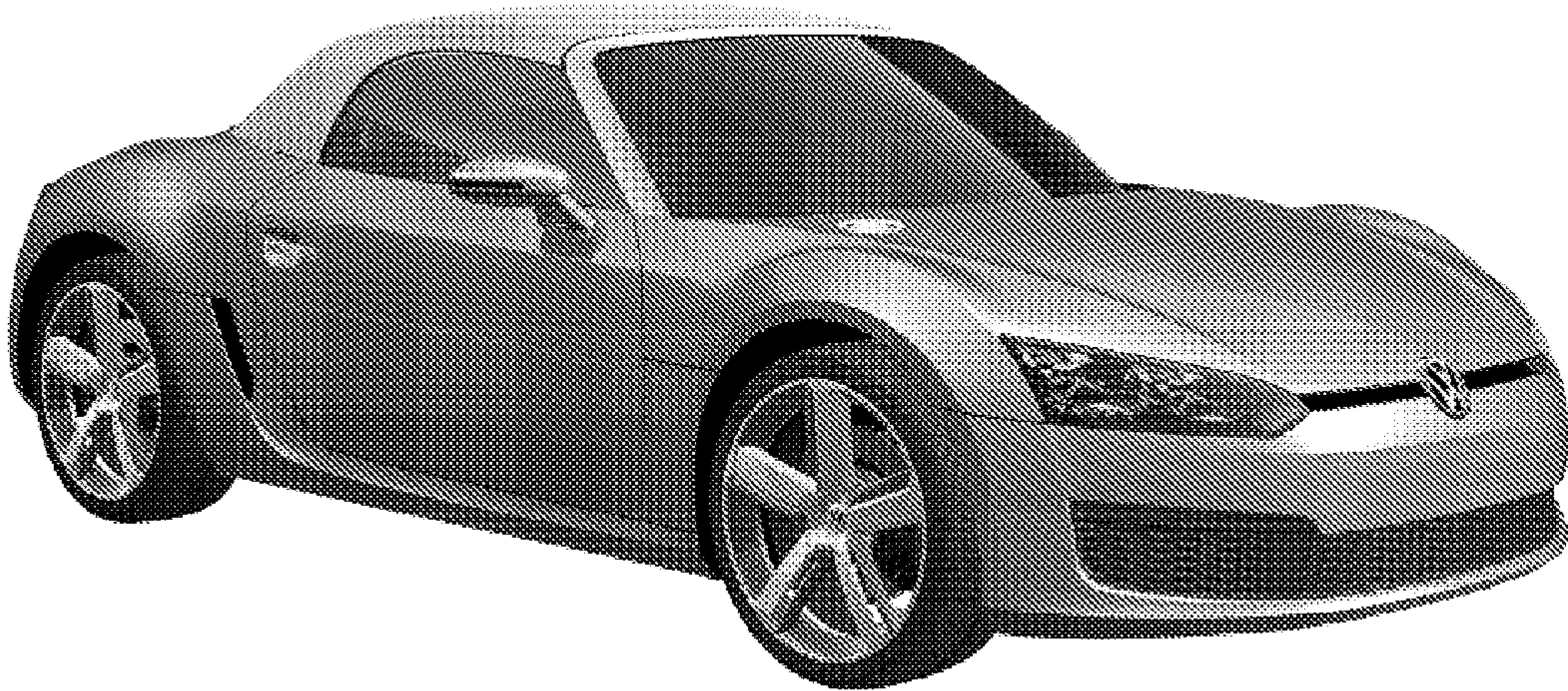


Fig. 2

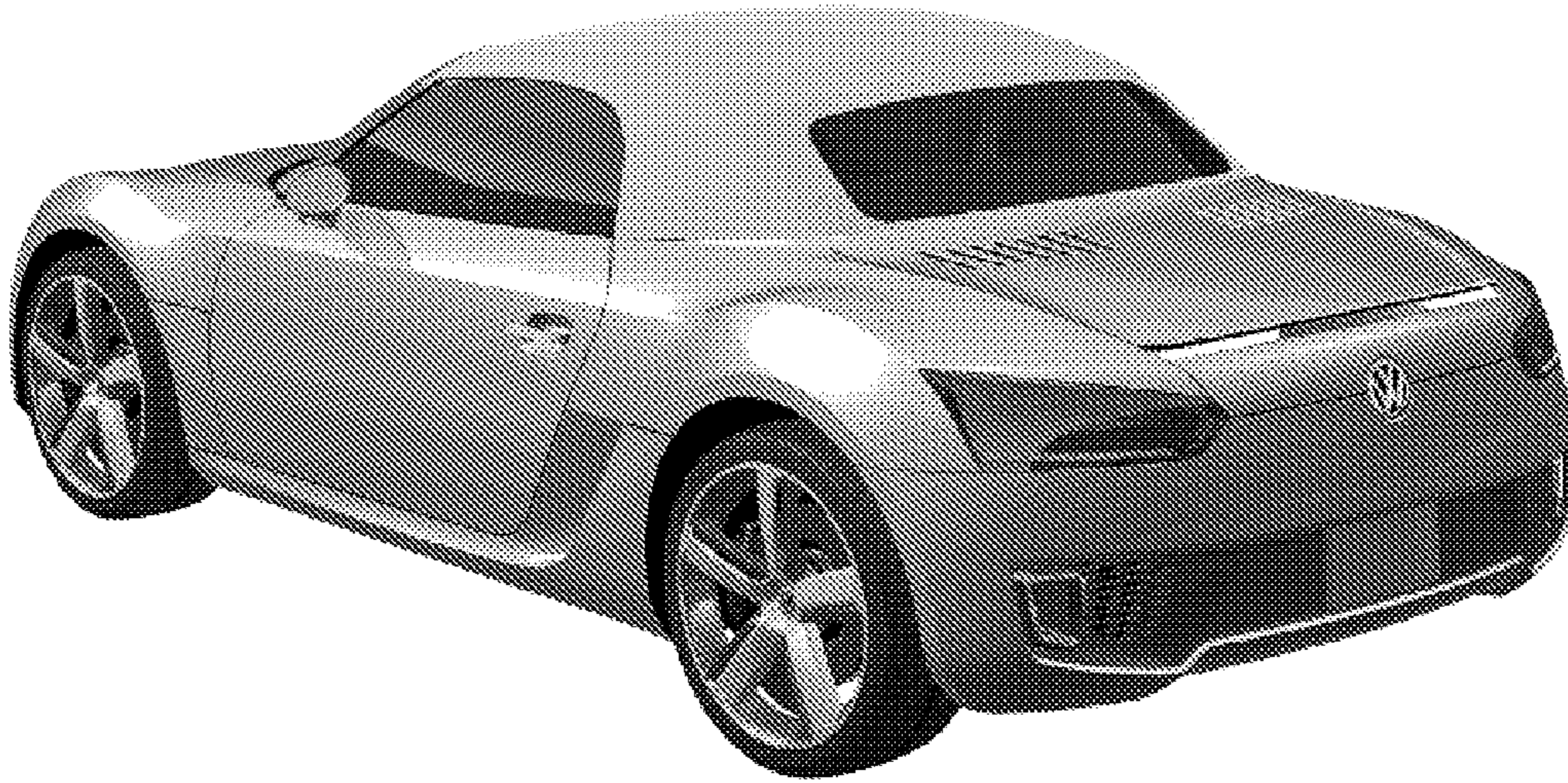


Fig. 3

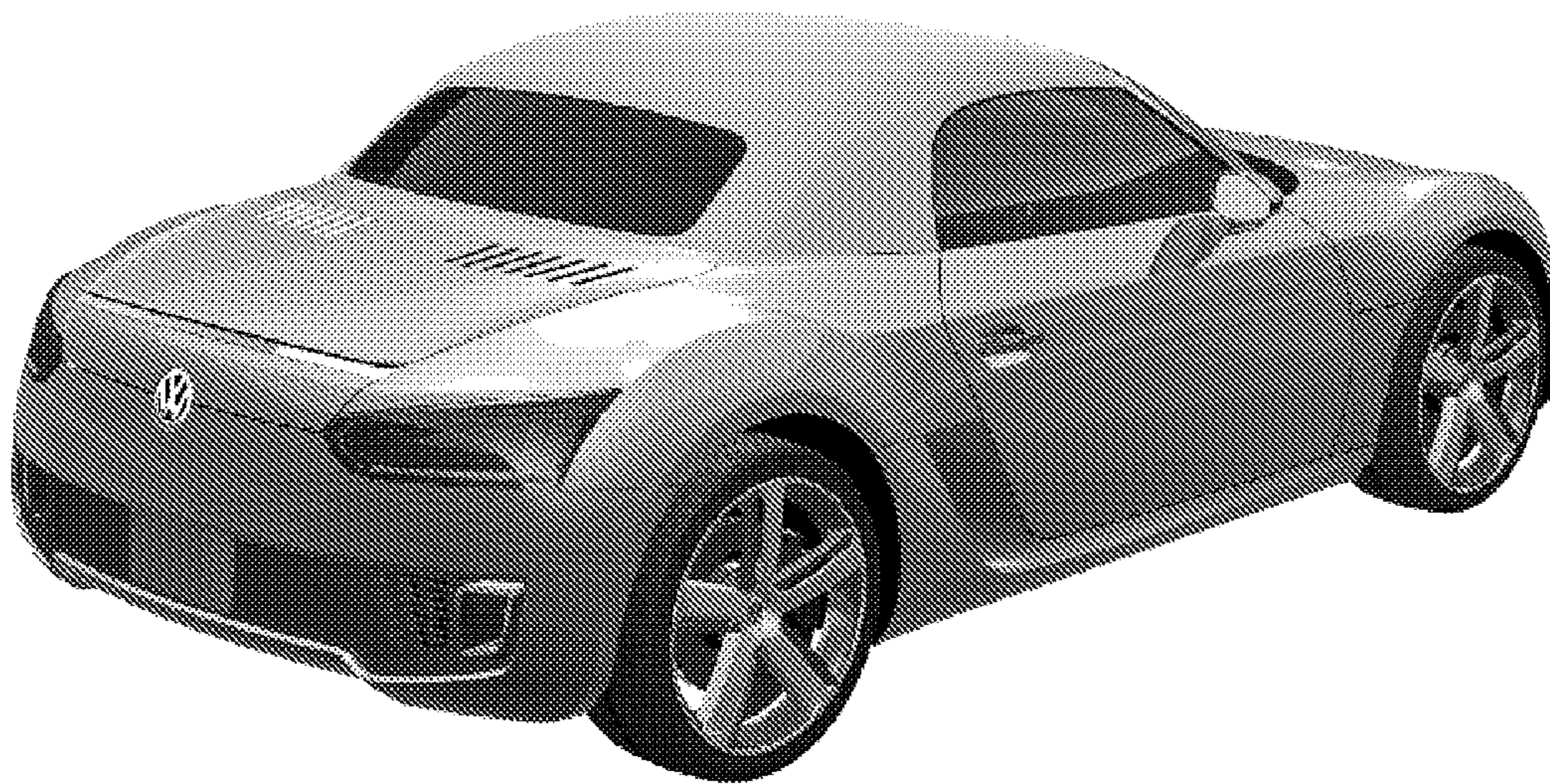
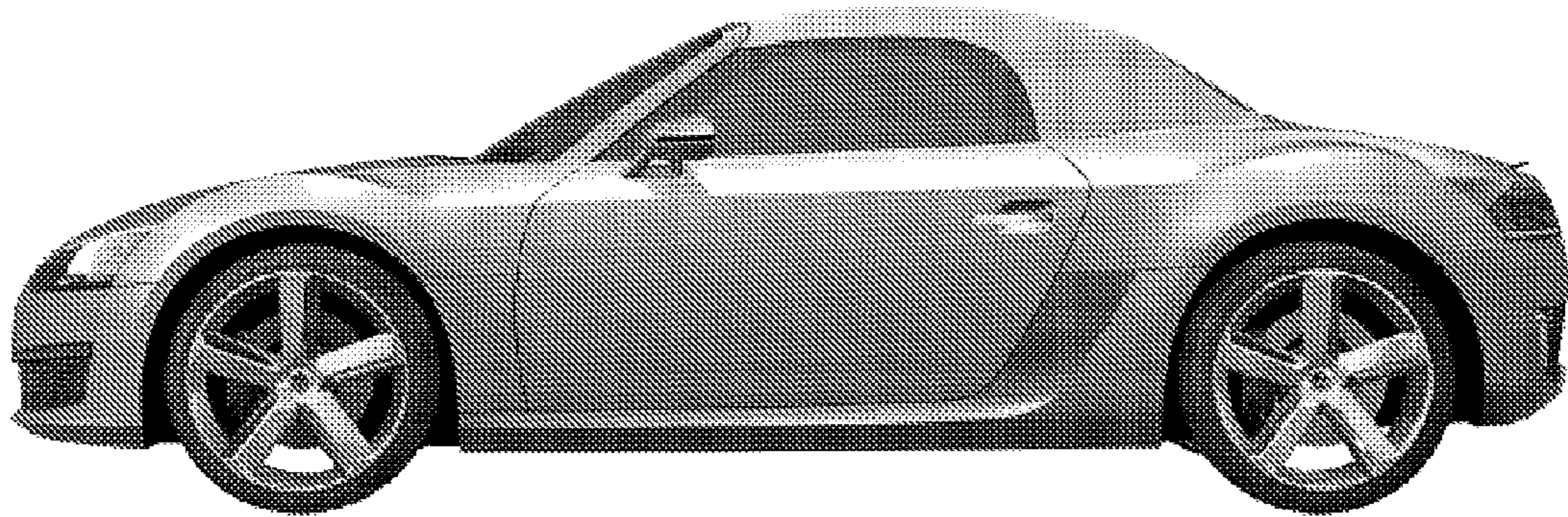
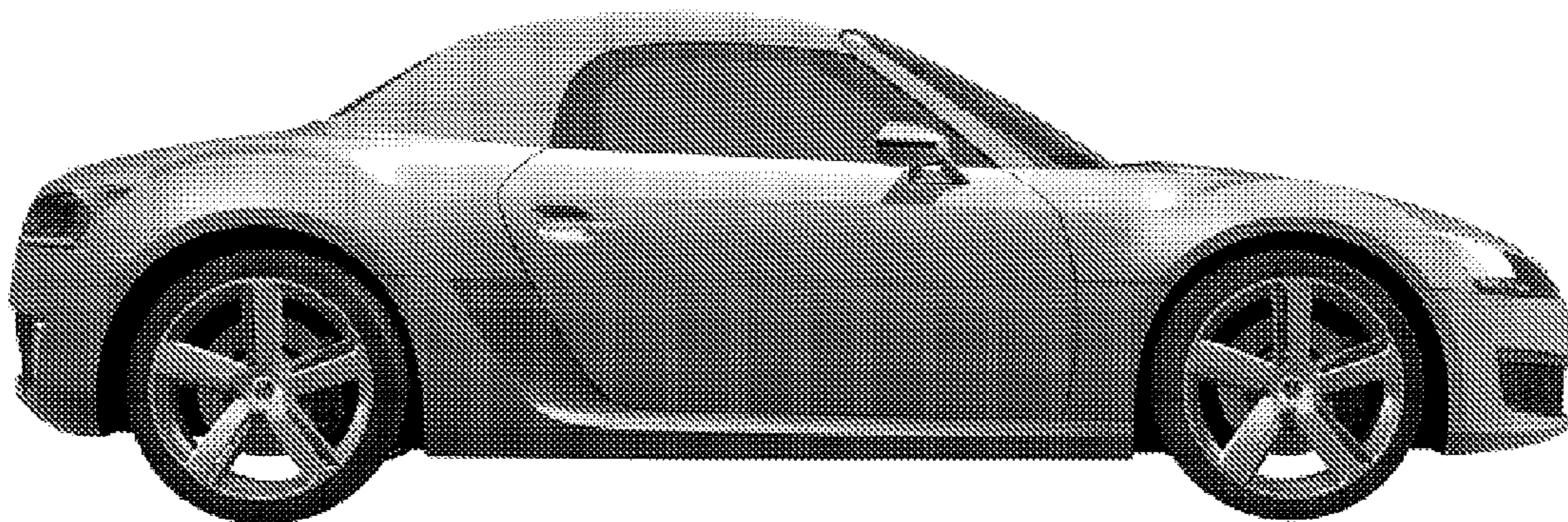


Fig. 4



**Fig. 5**



**Fig. 6**

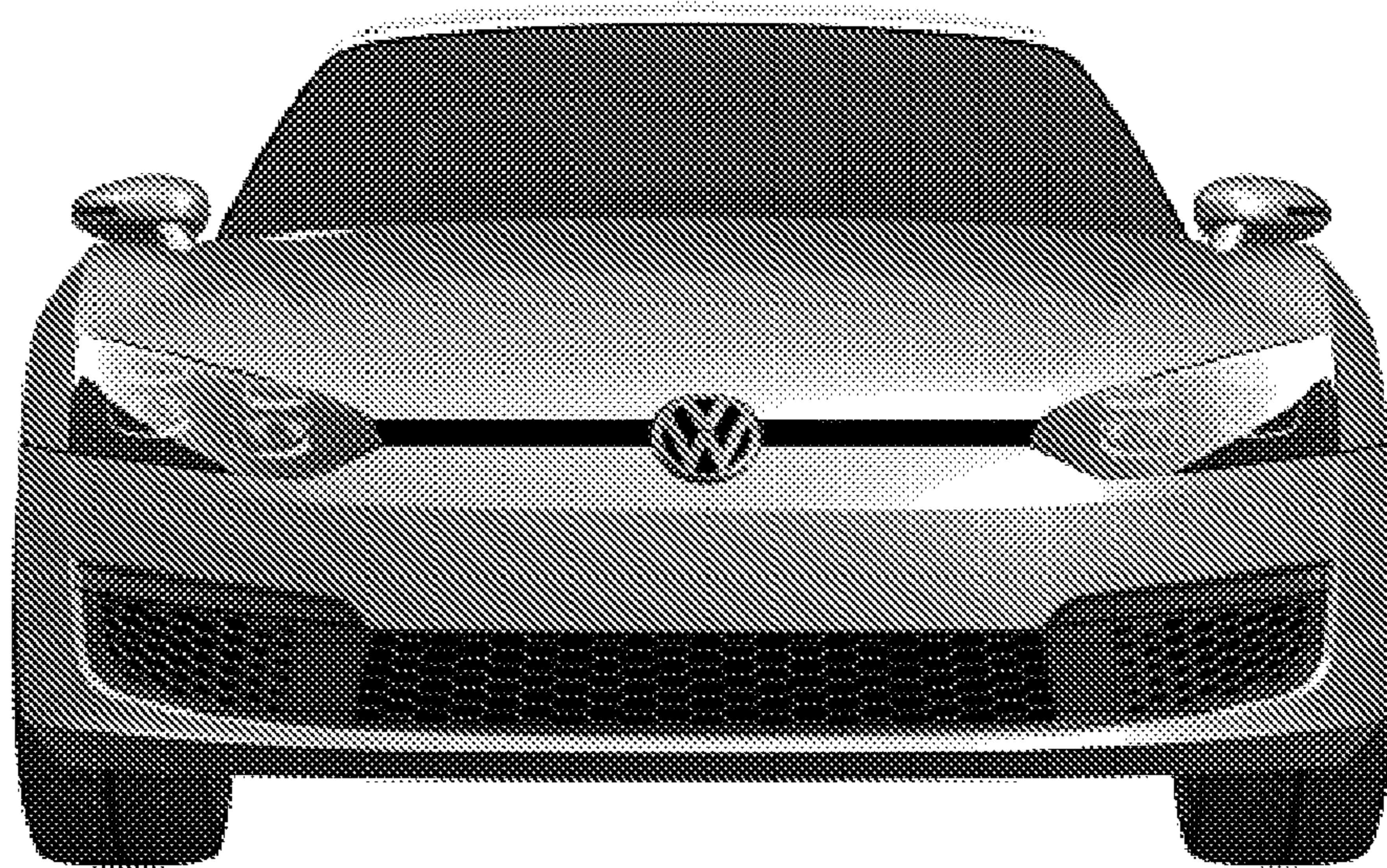


Fig. 7

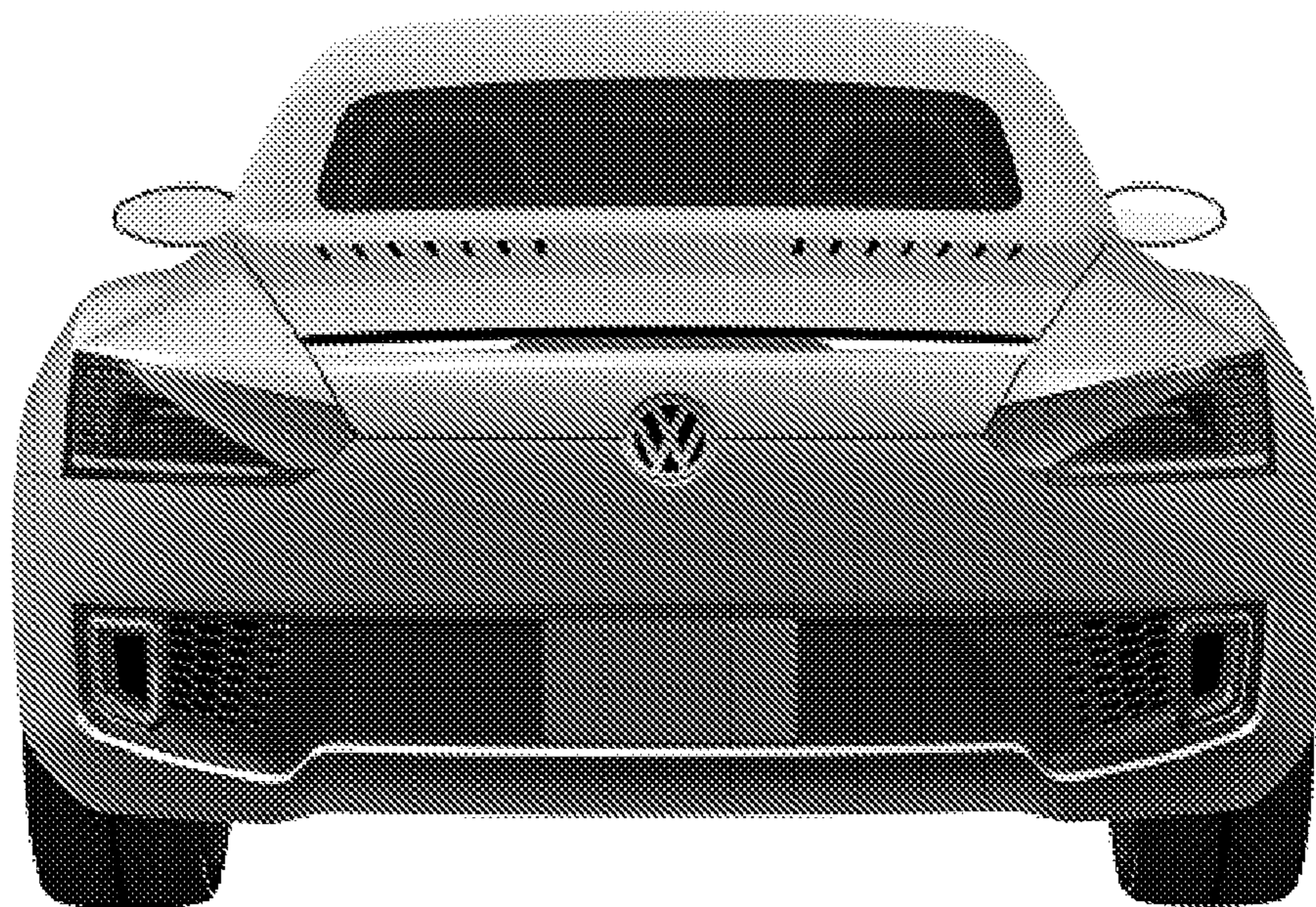


Fig. 8

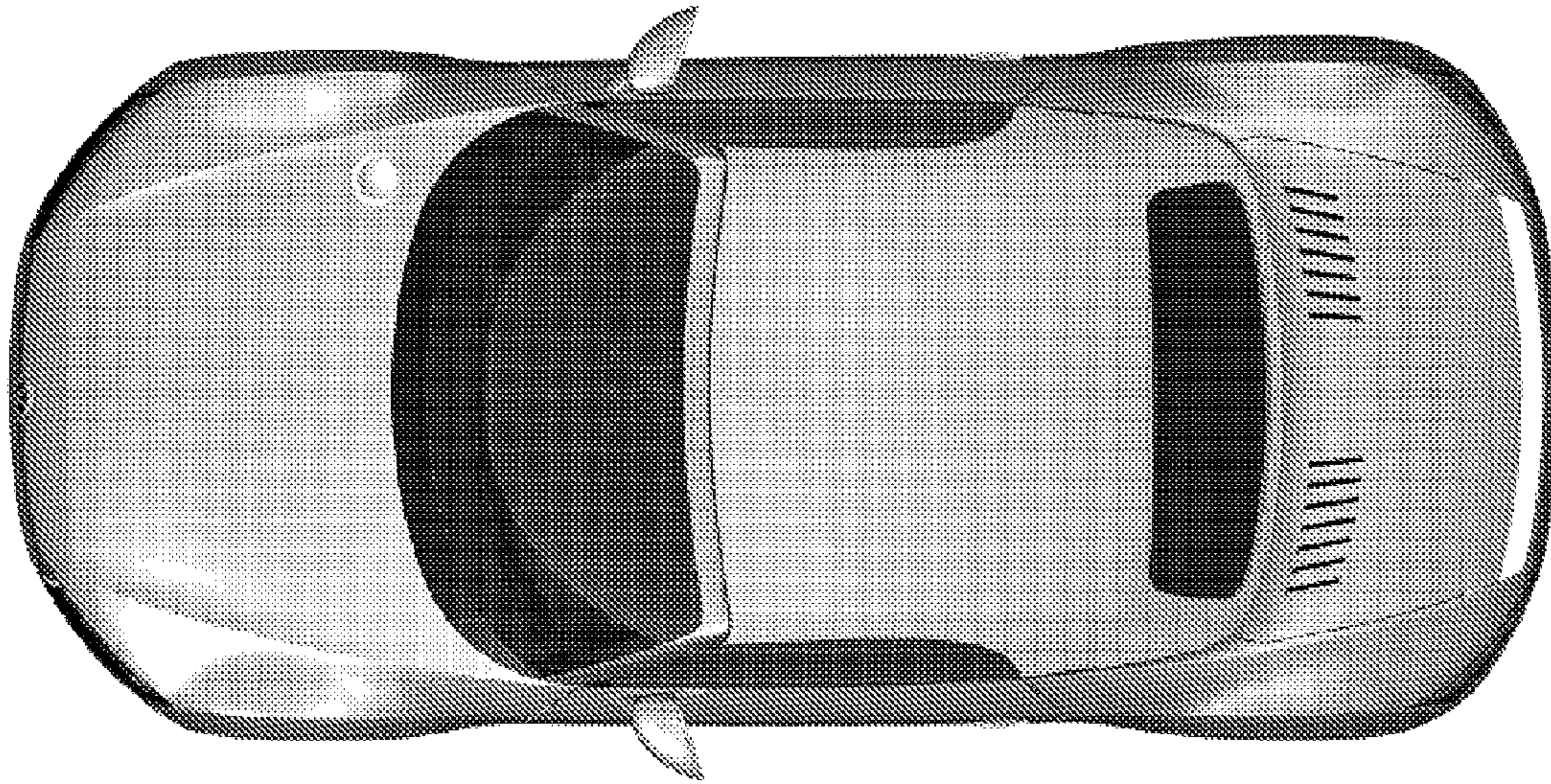


Fig. 9

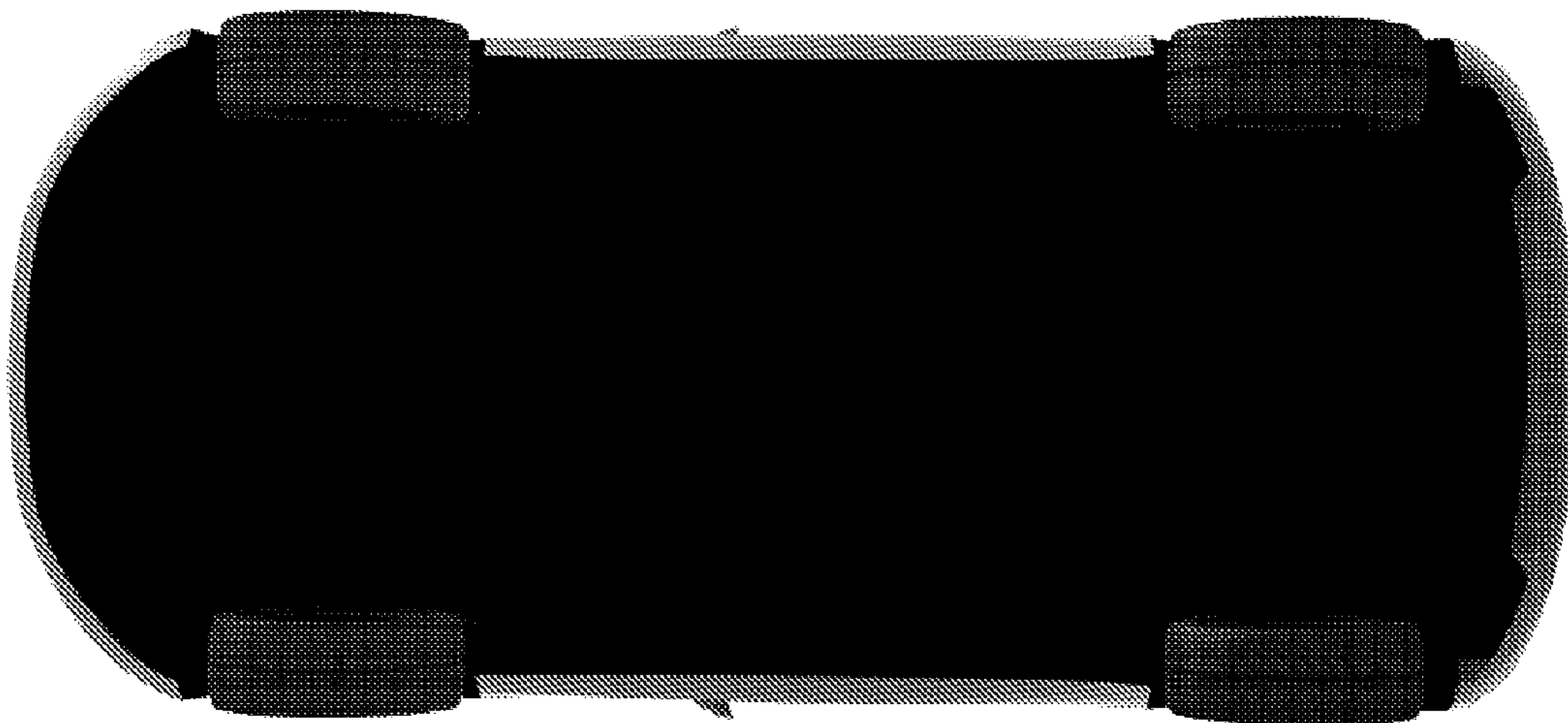
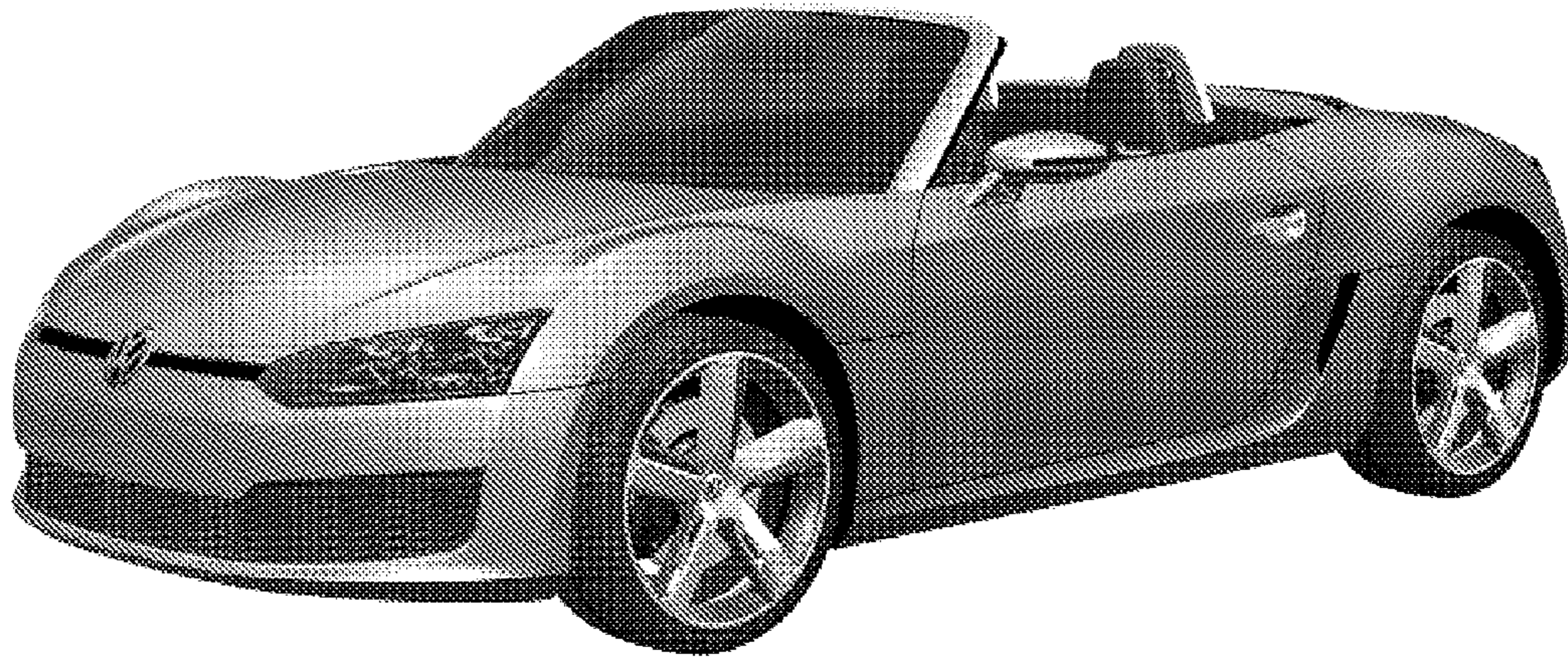
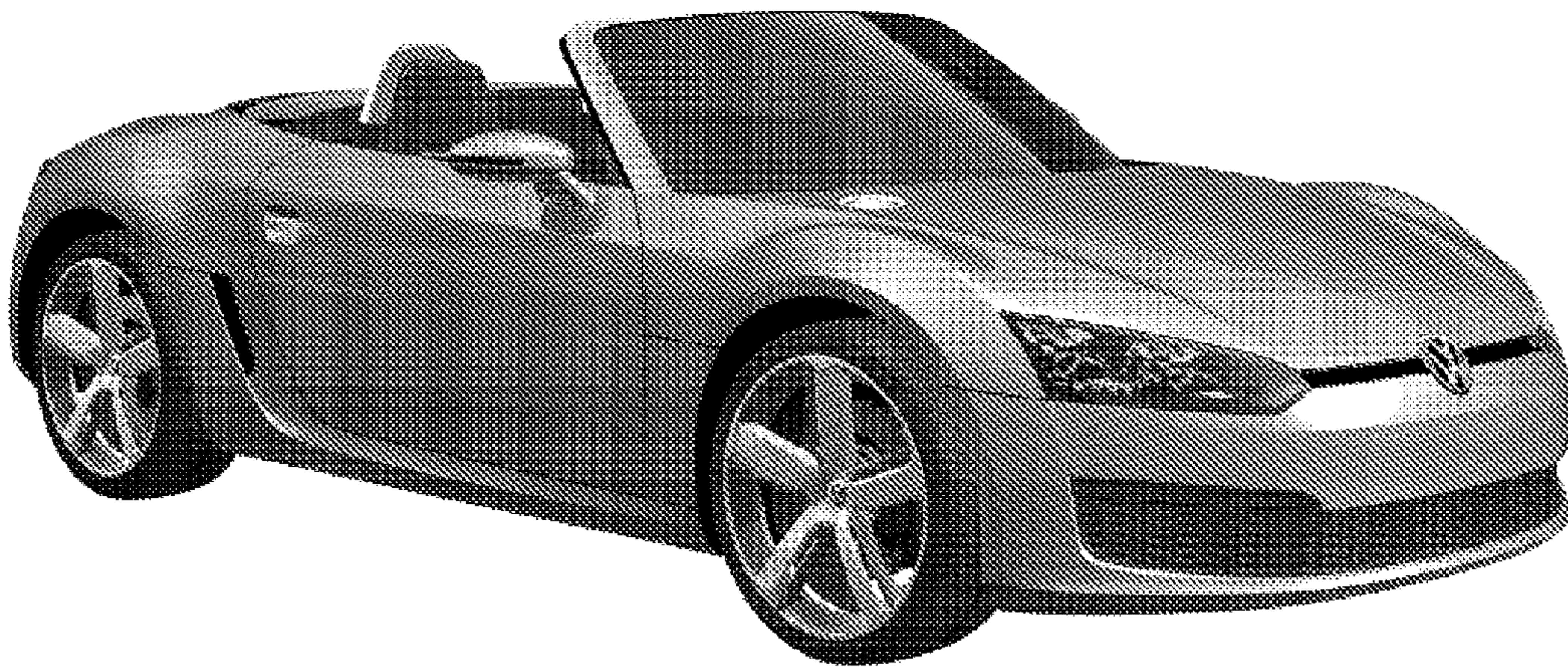


Fig. 10



**Fig. 11**



**Fig. 12**

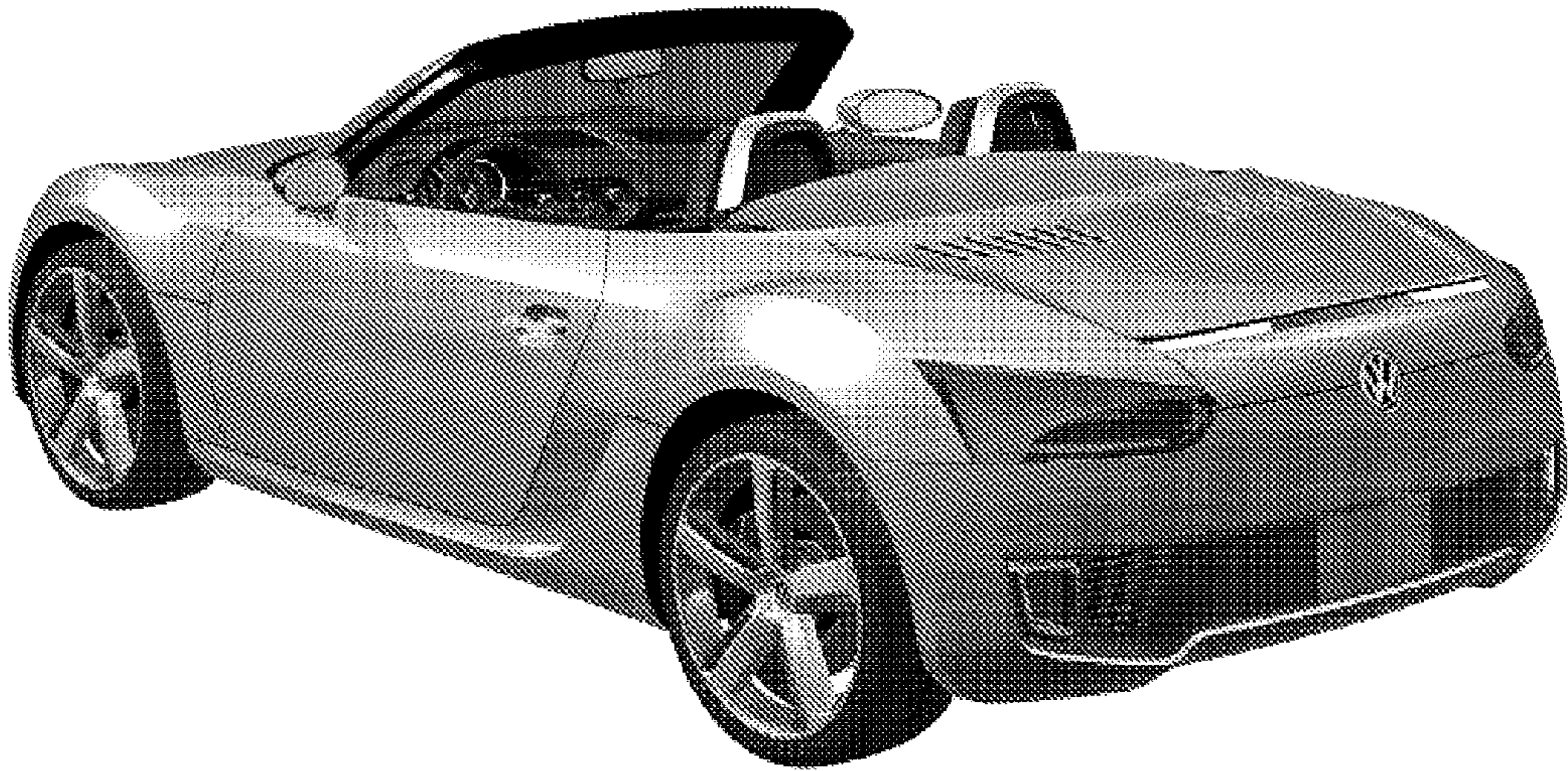


Fig. 13

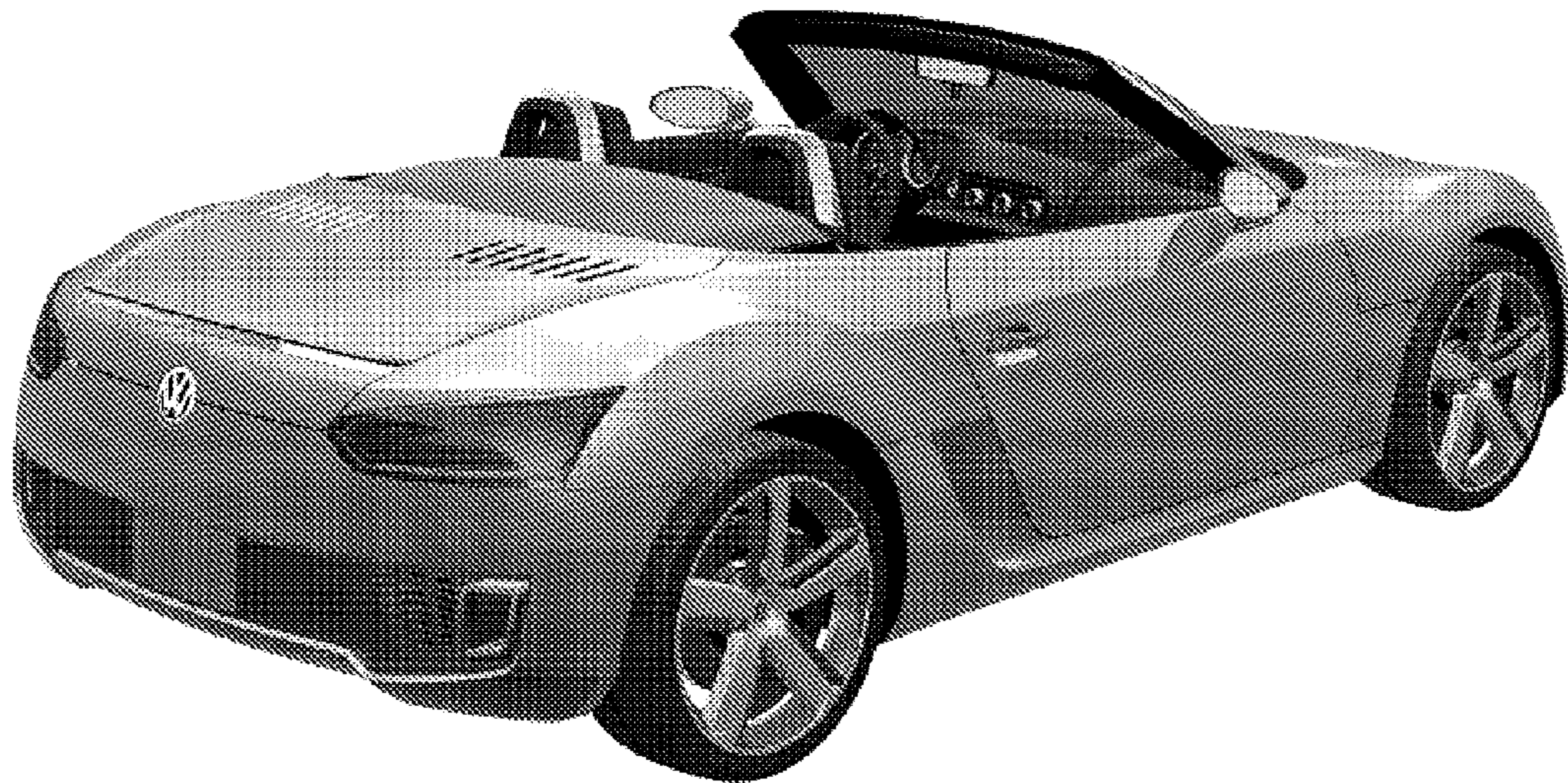
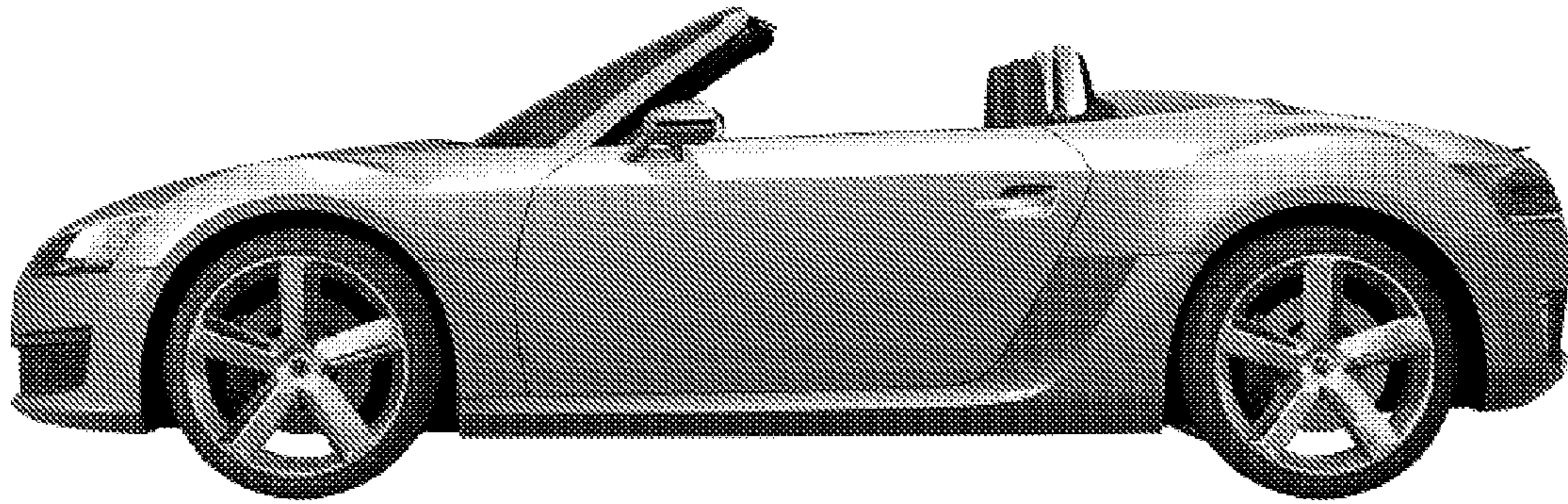
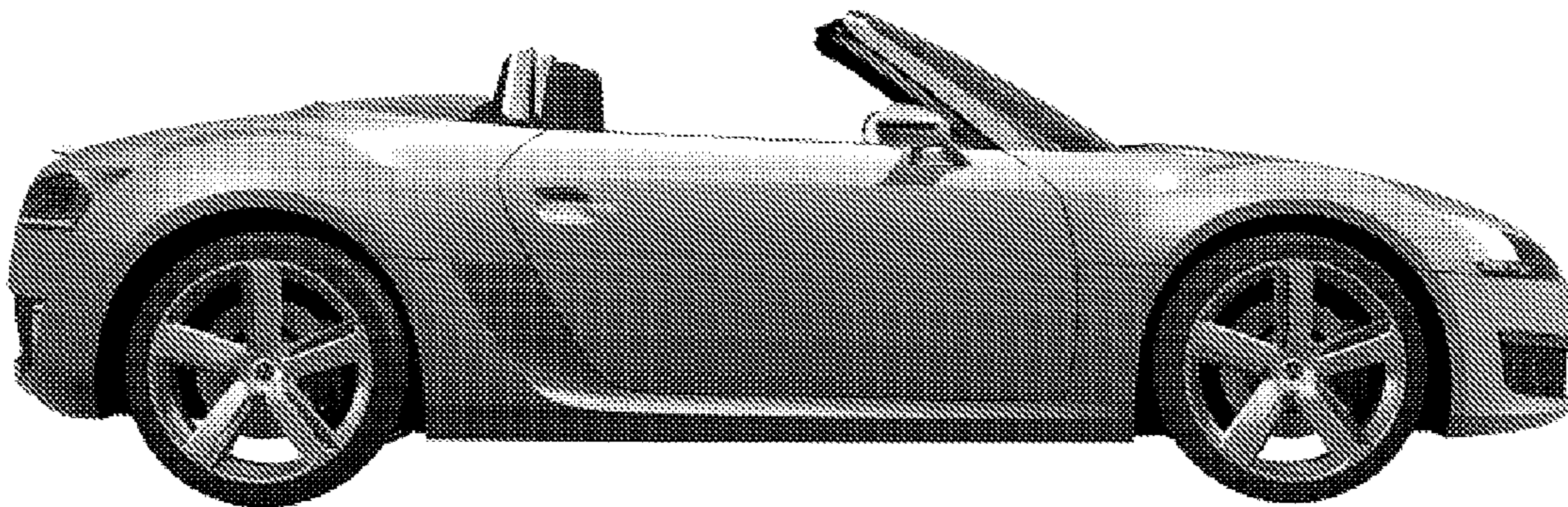


Fig. 14





**Fig. 15**



**Fig. 16**

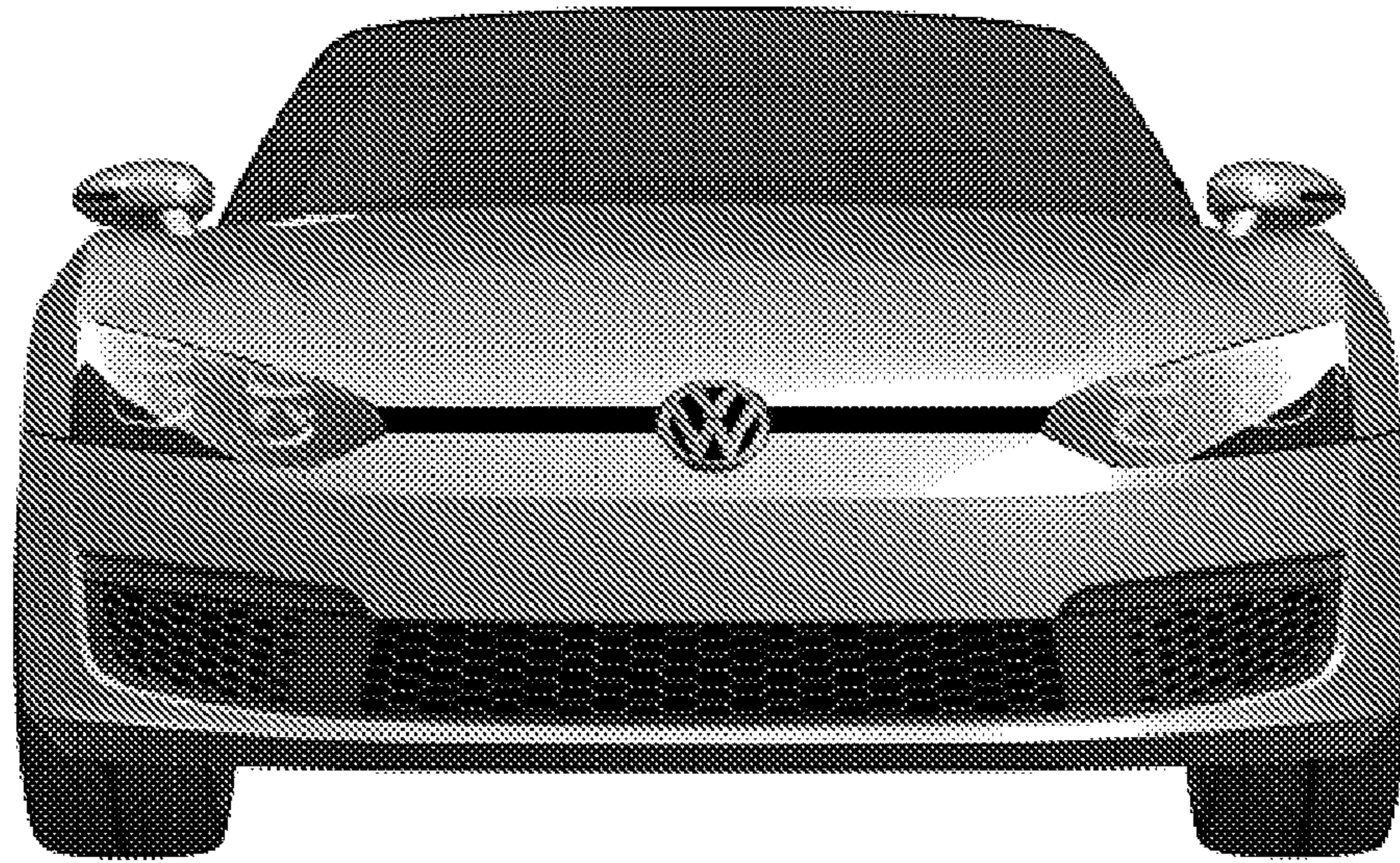


Fig. 17

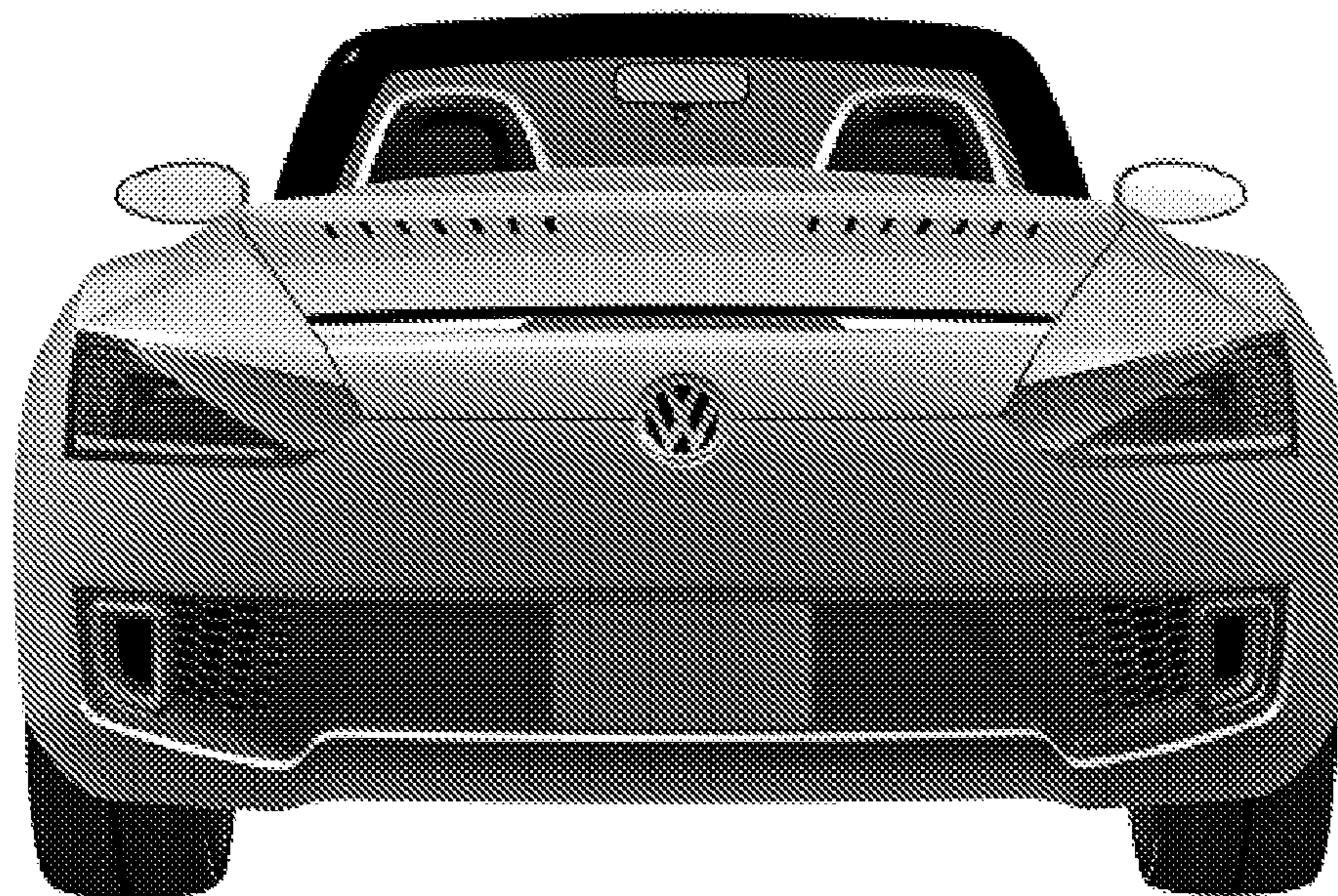


Fig. 18

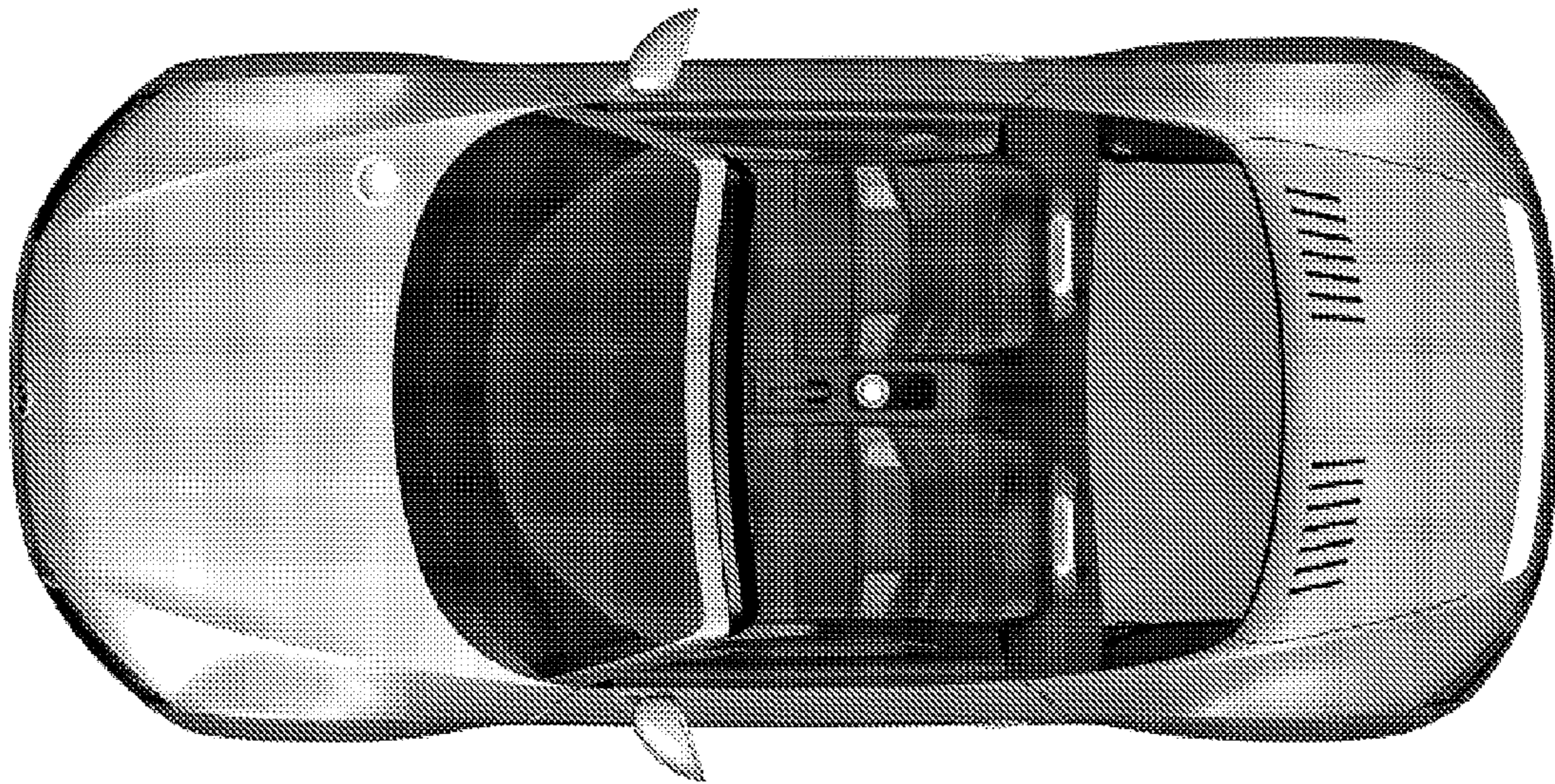


Fig. 19