



US00D604197S

(12) **United States Design Patent**
Bissonnette et al.

(10) **Patent No.:** **US D604,197 S**

(45) **Date of Patent:** **** Nov. 17, 2009**

(54) **INDOOR GARDENING APPLIANCE**

2007/0271842 A1* 11/2007 Bissonnette et al. 47/62 R

* cited by examiner

(75) Inventors: **W. Michael Bissonnette**, Boulder, CO
(US); **Terry Robertson**, Boulder, CO
(US)

Primary Examiner—Caron Veynar

Assistant Examiner—Garth Rademaker

(74) *Attorney, Agent, or Firm*—Laura L. Conley

(73) Assignee: **AeroGrow International, Inc.**, Boulder,
CO (US)

(57) **CLAIM**

(**) Term: **14 Years**

The ornamental design for an indoor gardening appliance, as shown and described.

(21) Appl. No.: **29/293,343**

(22) Filed: **Nov. 16, 2007**

DESCRIPTION

(51) **LOC (9) Cl.** **11-02**

FIG. 1 is a front elevation view of an indoor gardening appliance, showing our new design.

(52) **U.S. Cl.** **D11/144**

FIG. 2 is a back elevation view thereof.

(58) **Field of Classification Search** D6/403-405,
D6/556; D8/1; D11/143-156; D19/77,
D19/81, 84; D26/9, 16, 19; D34/1-11; D99/5,
D99/19; 47/32.7, 33, 39, 41.01, 41.1, 41.11-41.15,
47/44-47, 65.5, 65.9, 66.1, 66.2, 66.6, 66.7,
47/67-71

FIG. 3 is a top plan view thereof.

FIG. 4 is a bottom plan view thereof.

FIG. 5 is a right side elevation view thereof.

FIG. 6 is a left side elevation view thereof.

FIG. 7 is a front, top, left side perspective view thereof.

See application file for complete search history.

FIG. 8 is a front elevation view thereof, shown with the lamp hood raised.

FIG. 9 is a back elevation view thereof.

FIG. 10 is a top plan view thereof.

FIG. 11 is a bottom plan view thereof.

FIG. 12 is a right side elevation view thereof.

FIG. 13 is a left side elevation view thereof; and,

FIG. 14 is a front, top, left side perspective view thereof.

(56) **References Cited**

U.S. PATENT DOCUMENTS

D323,794 S *	2/1992	Wianecki	D11/144
D342,335 S *	12/1993	Bowlby	D11/143
D352,478 S *	11/1994	Whittle et al.	D11/144
5,430,972 A *	7/1995	Wianecki	47/66.6
D366,226 S *	1/1996	Foutes	D11/144
D397,521 S *	8/1998	Gomi	D30/101
D416,102 S *	11/1999	Schulman et al.	D11/144
2005/0246955 A1 *	11/2005	Bissonnette et al.	47/62 A

1 Claim, 14 Drawing Sheets

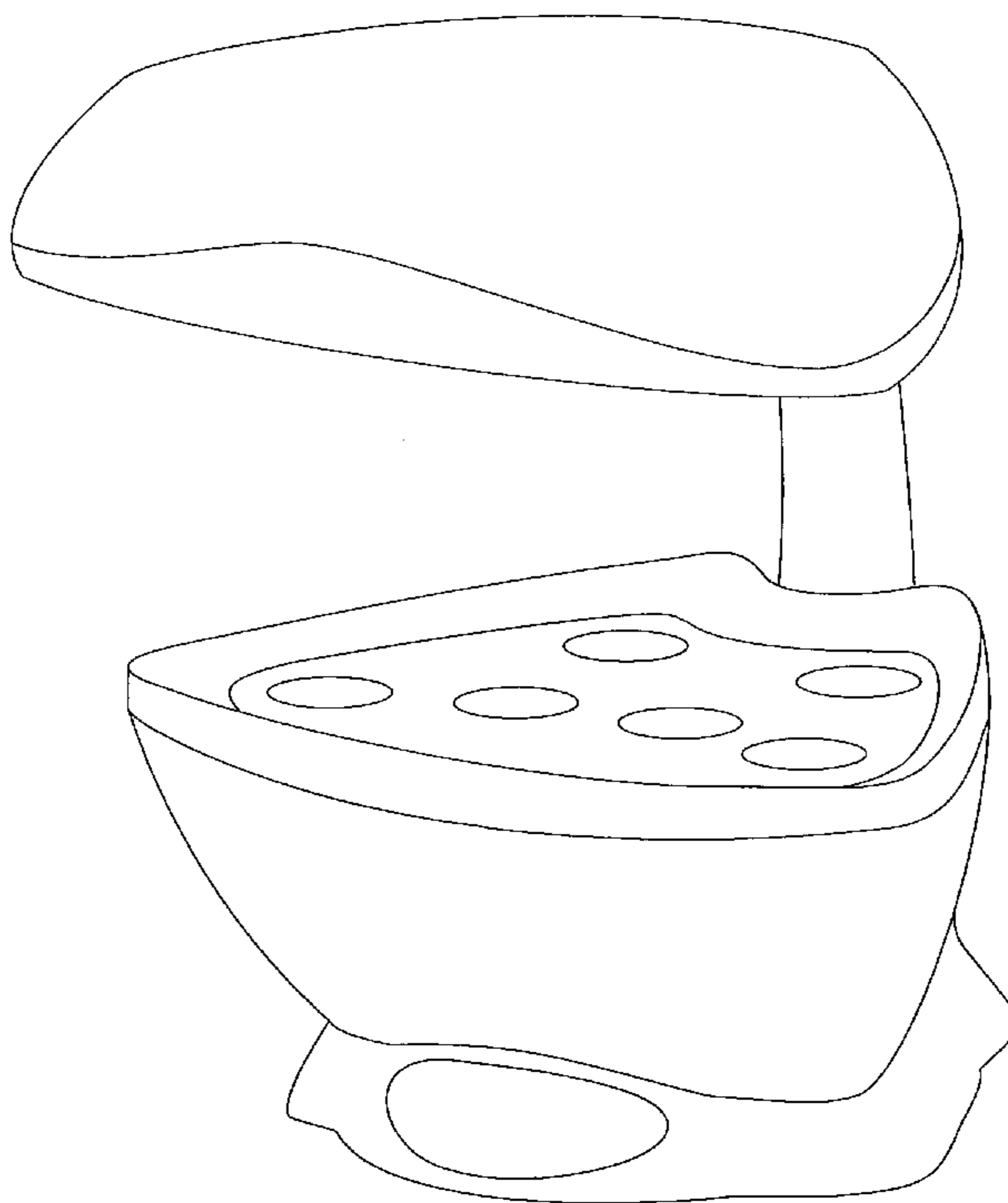


FIG. 1

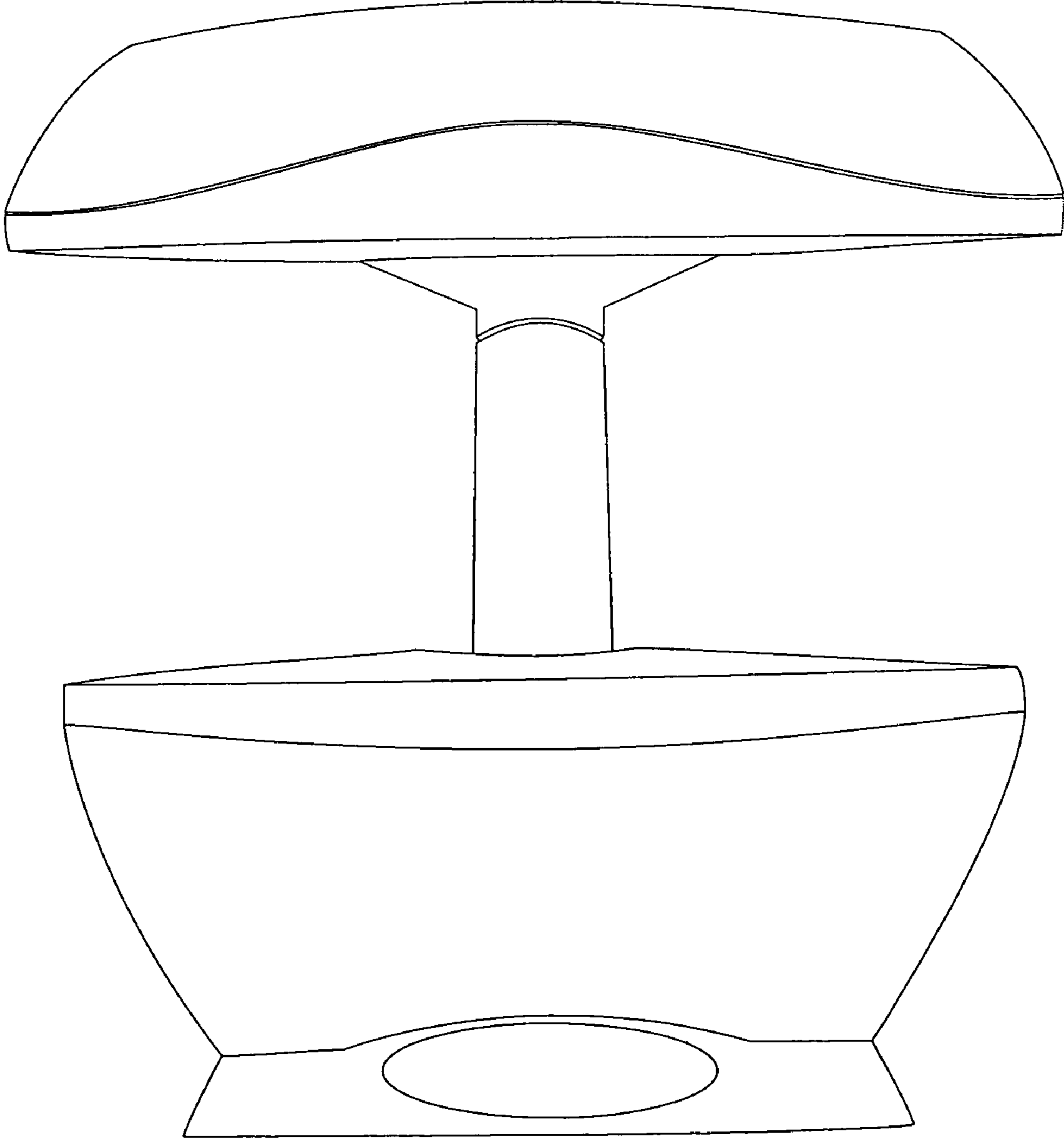


FIG. 2

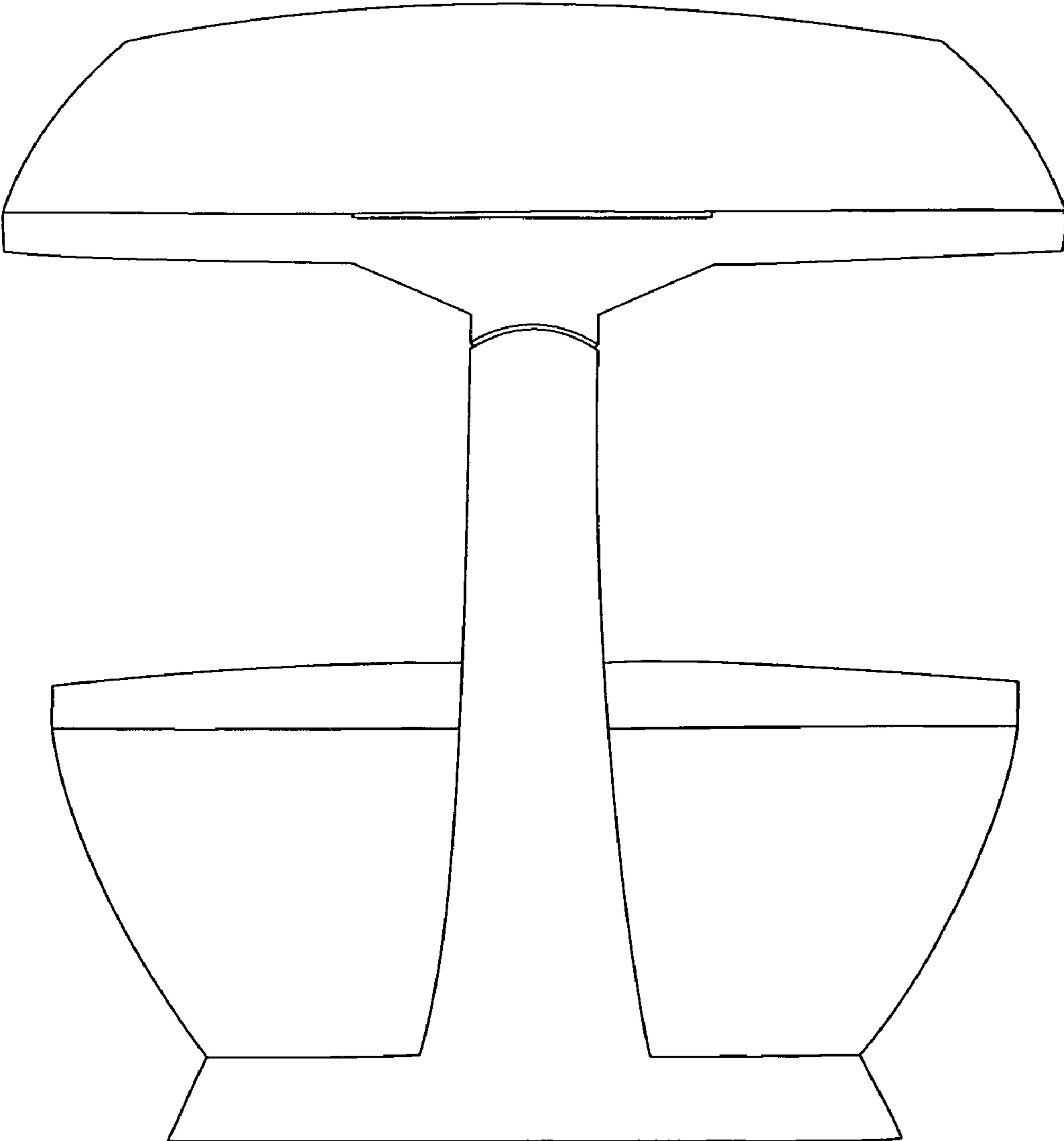


FIG. 3

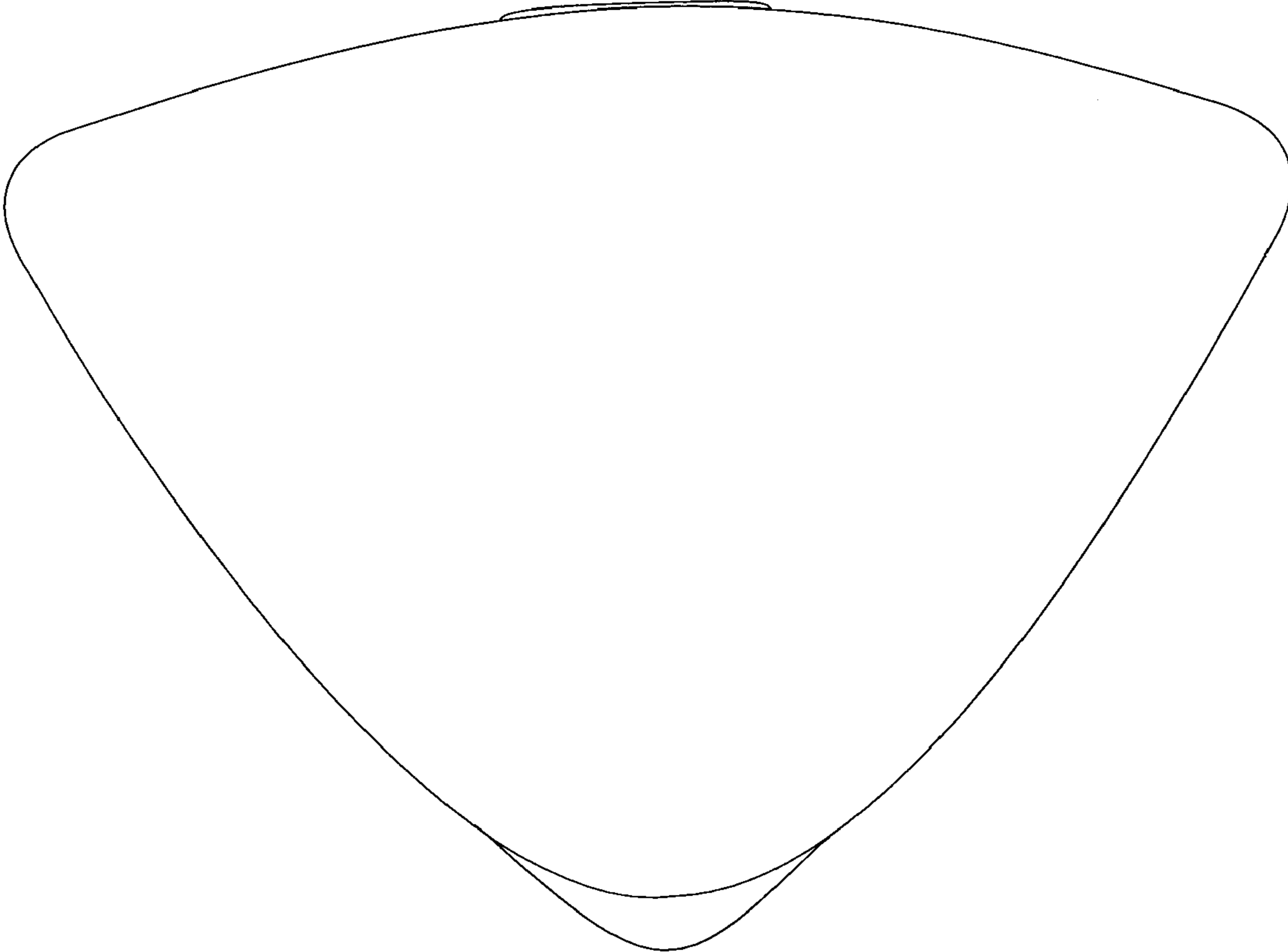


FIG. 4

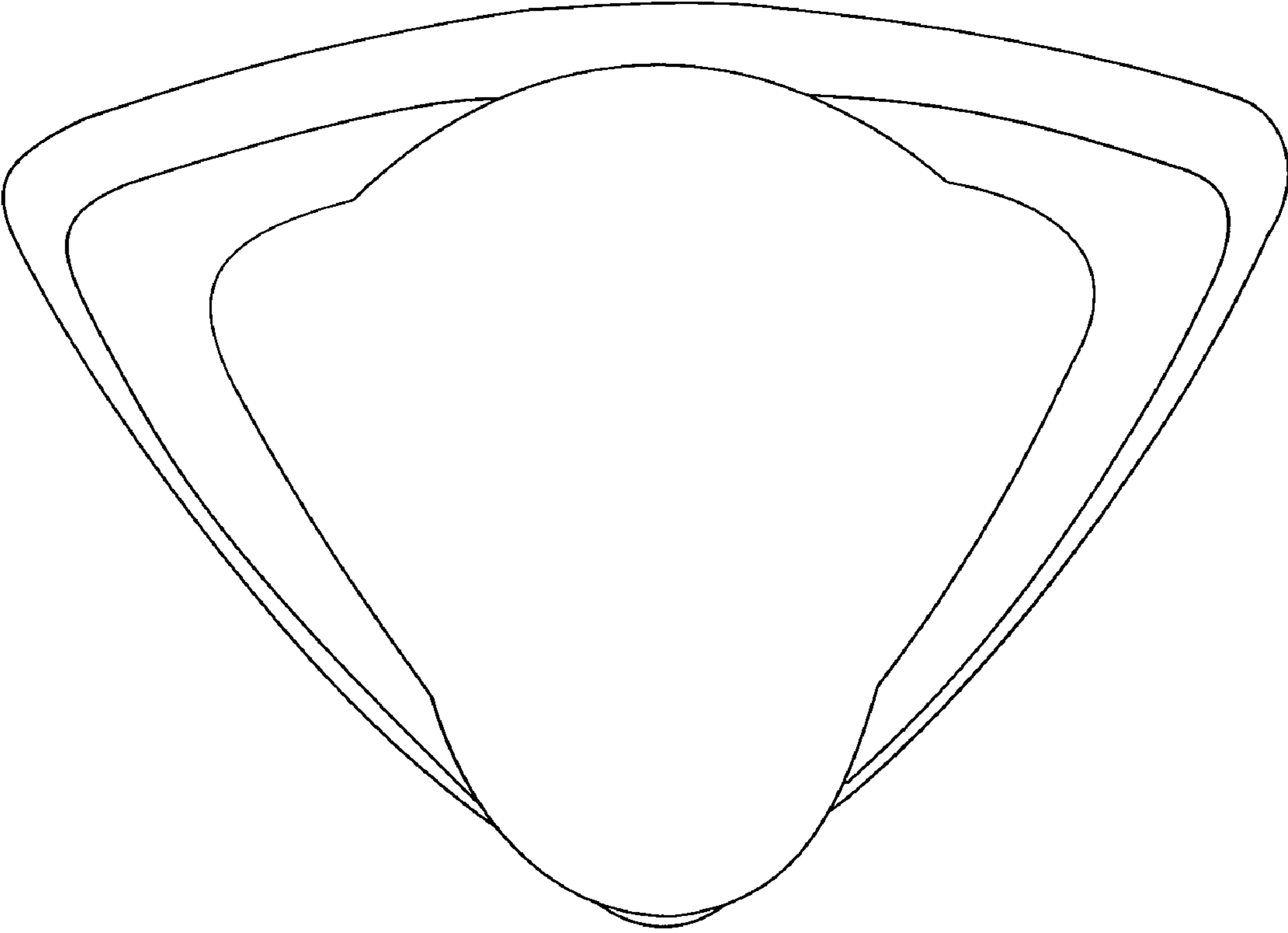


FIG. 5

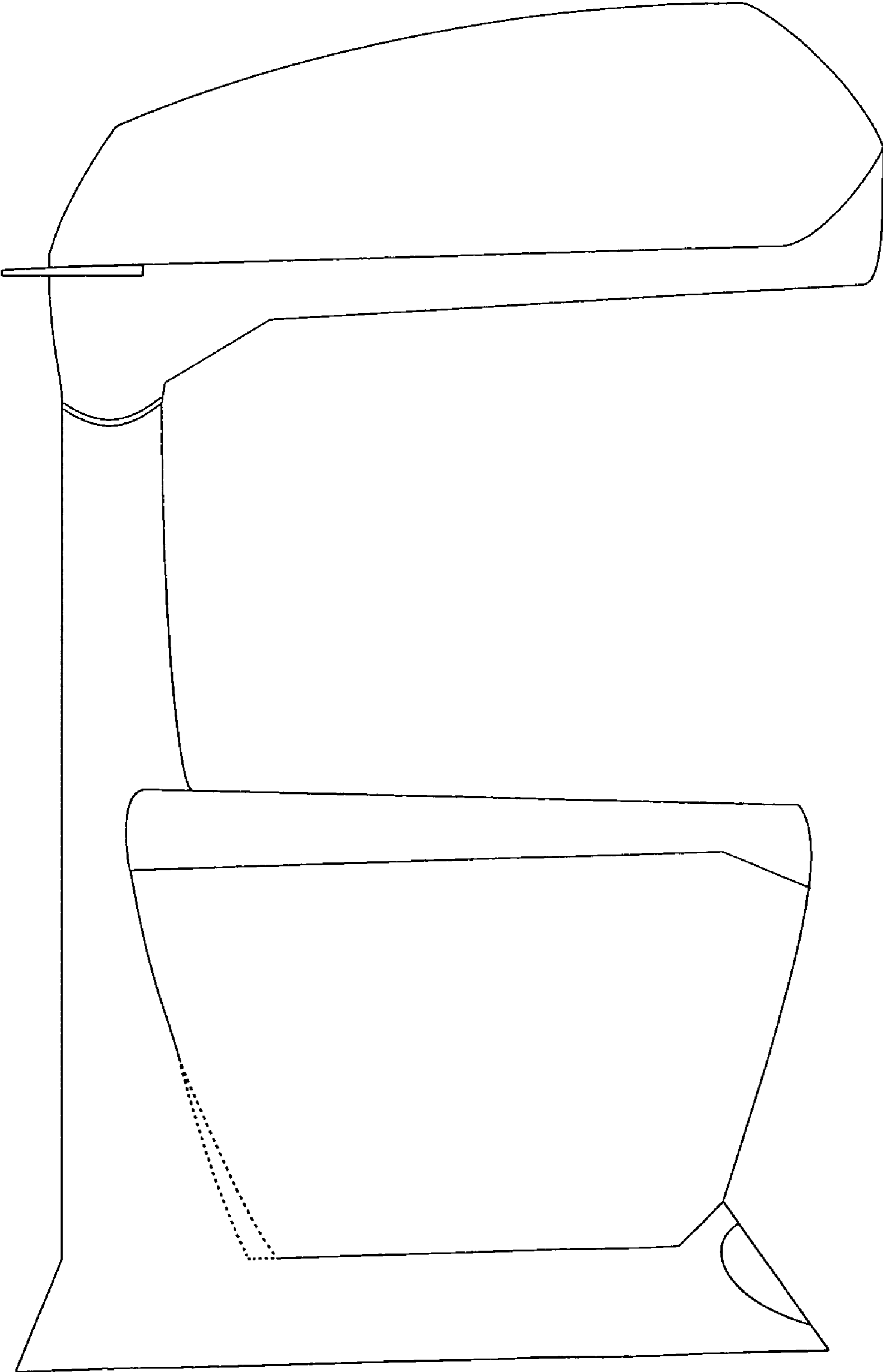


FIG. 6

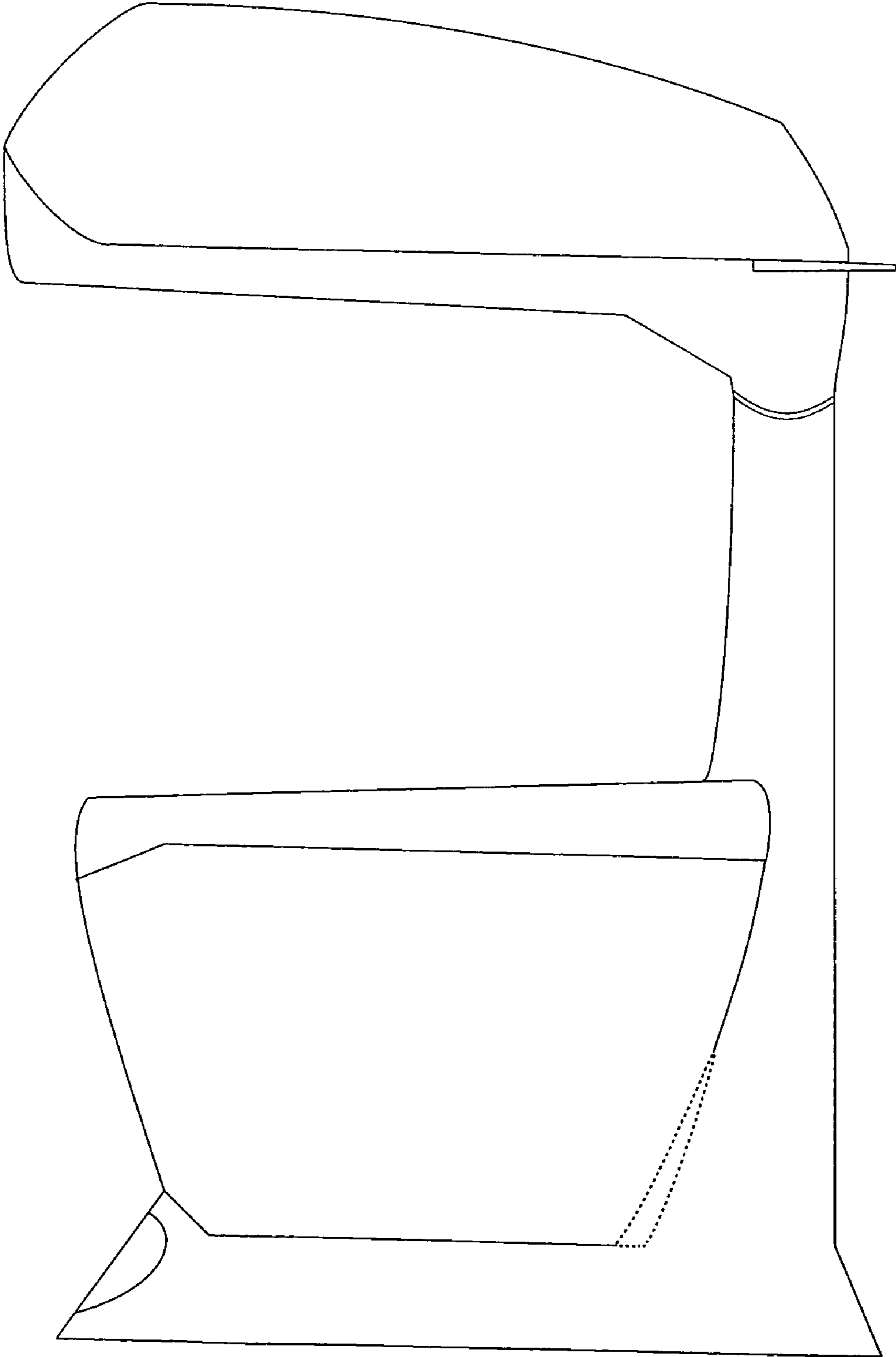


FIG. 7

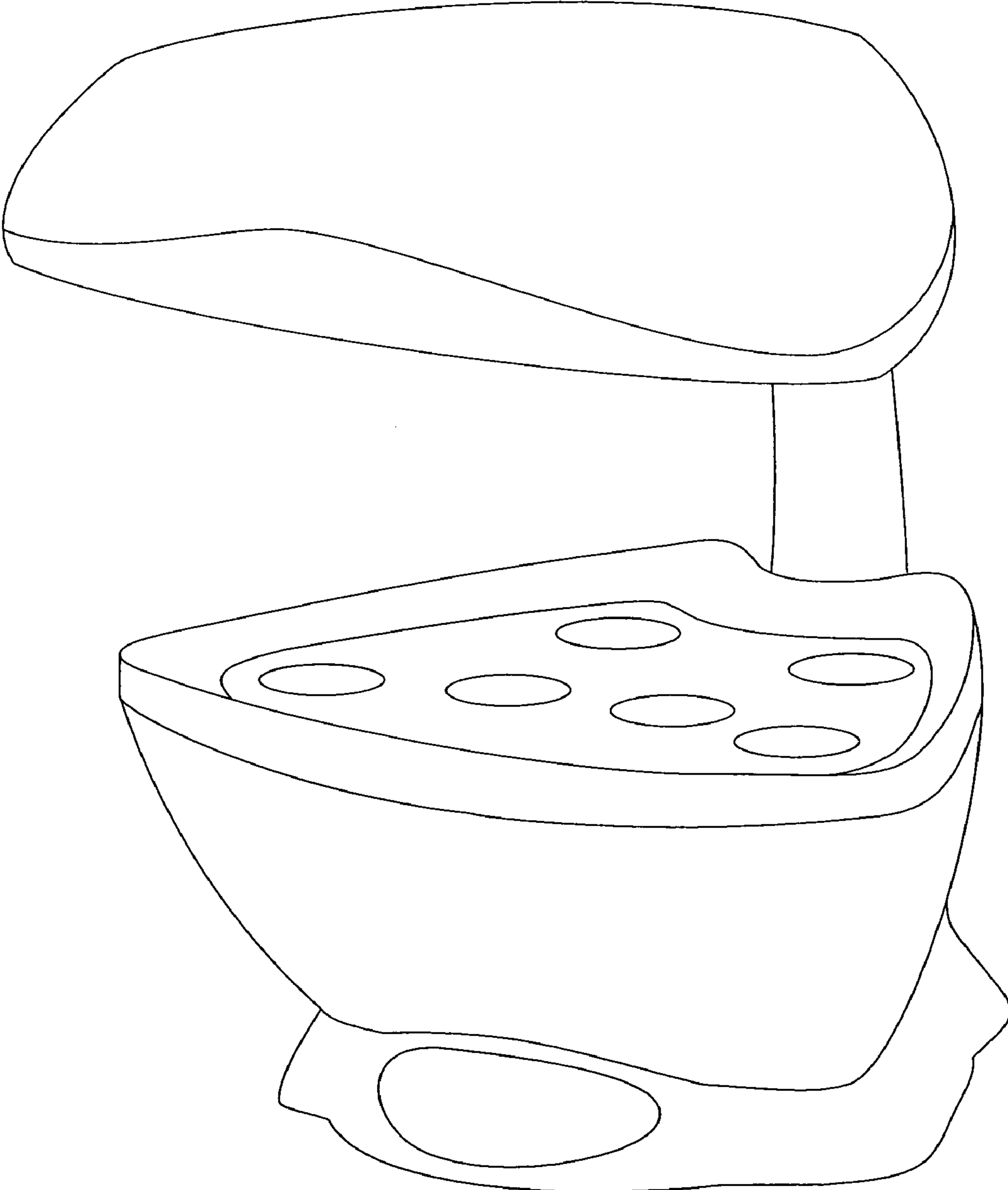


FIG. 8

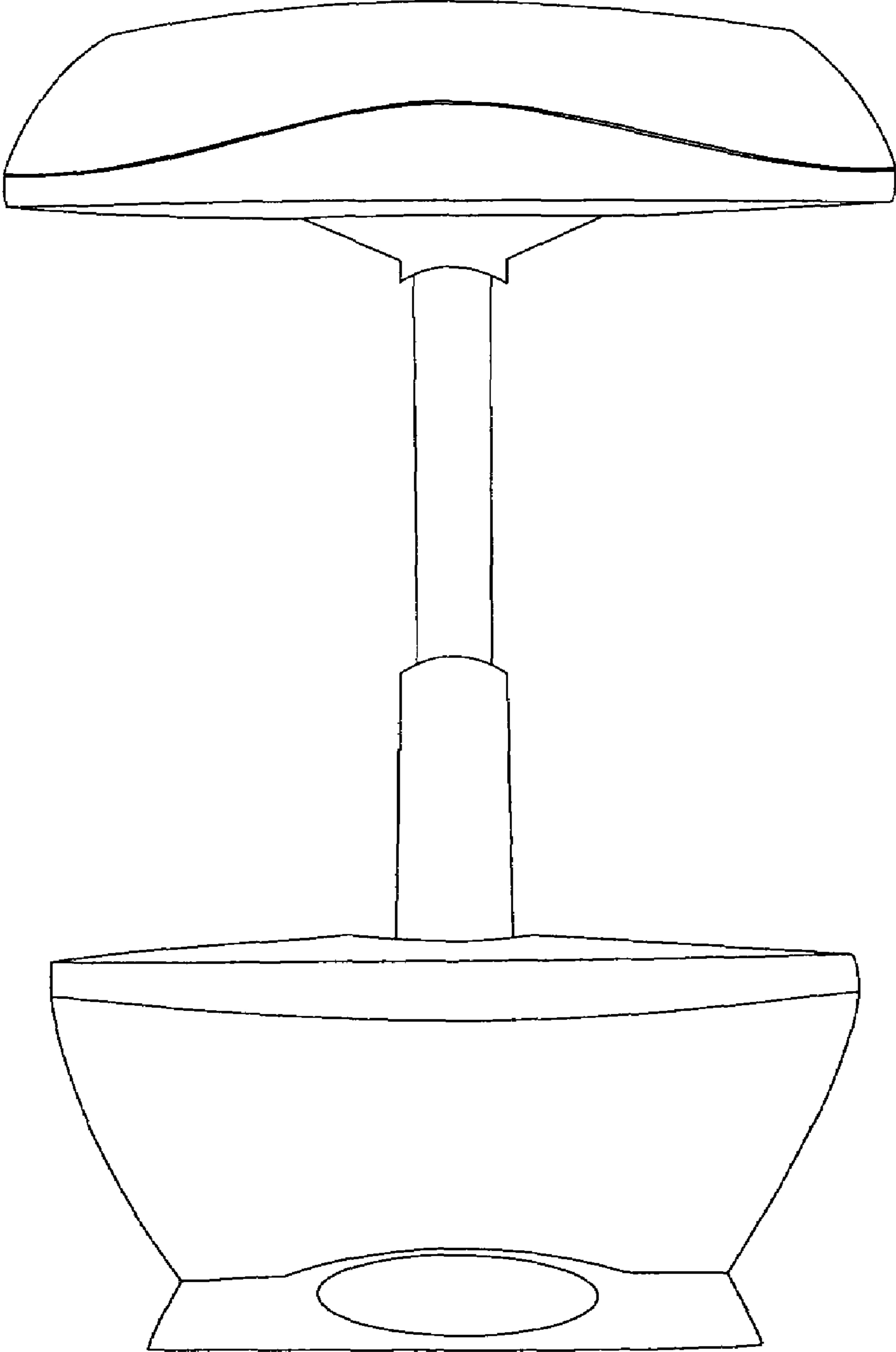


FIG. 9

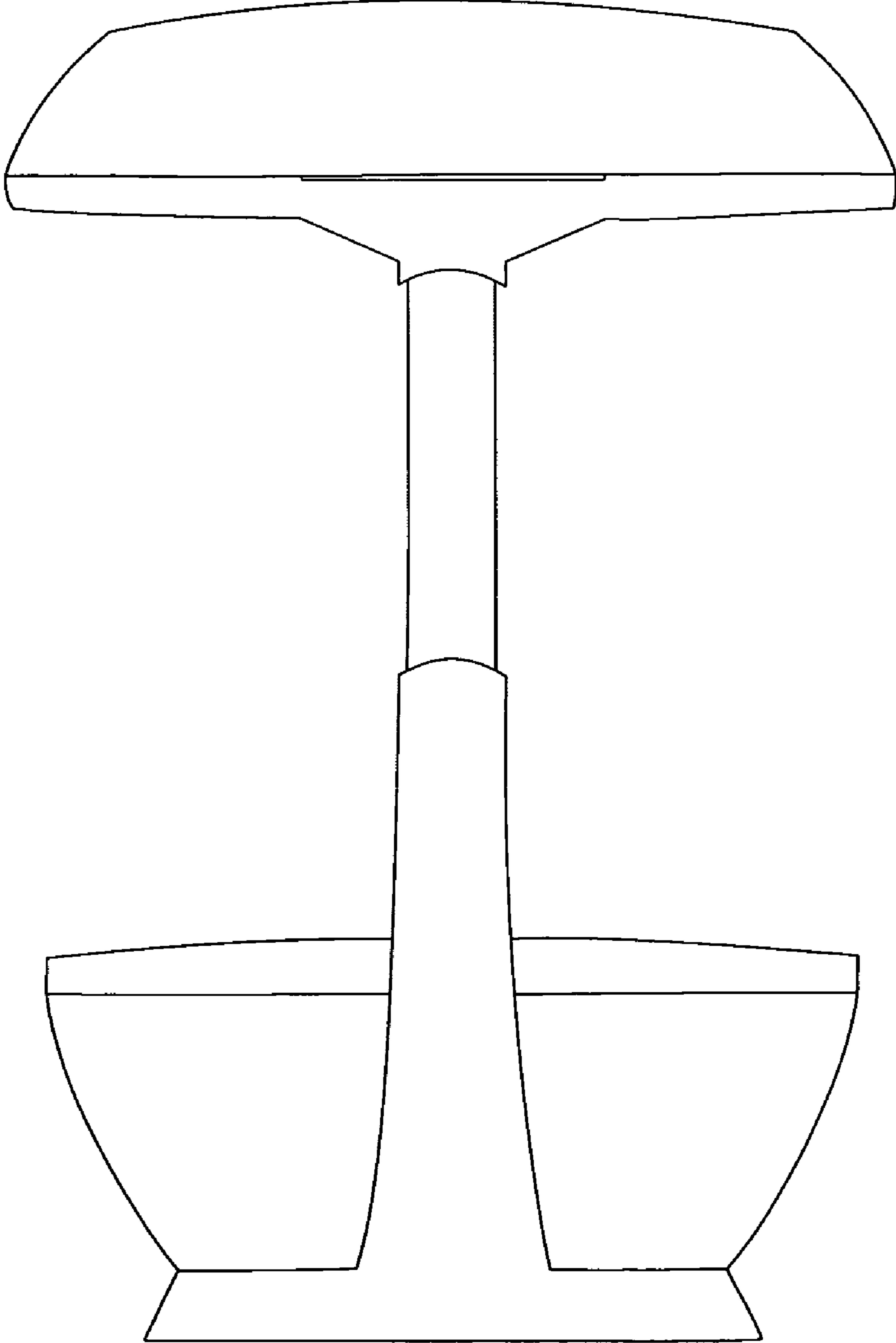


FIG. 10

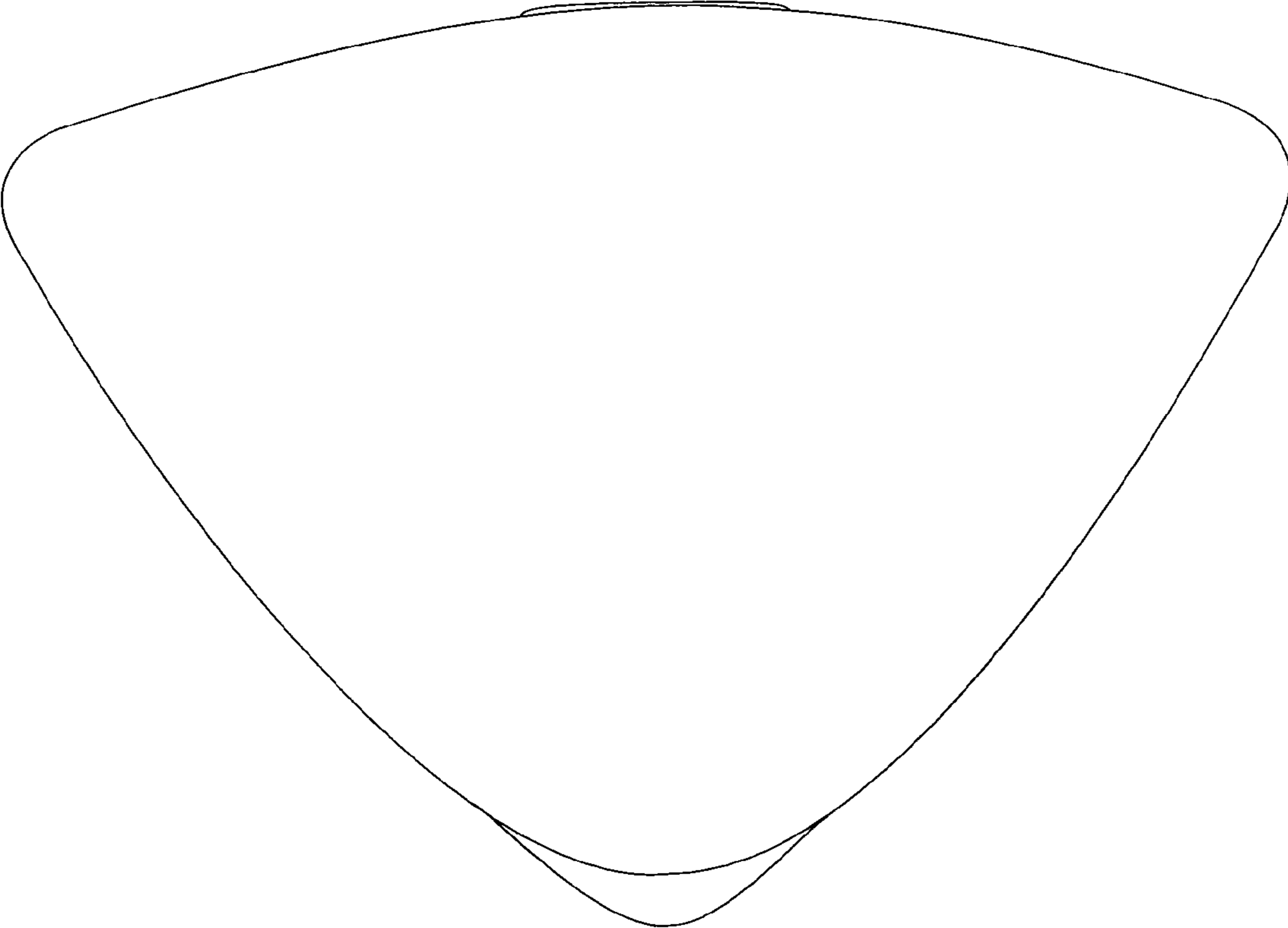


FIG. 11

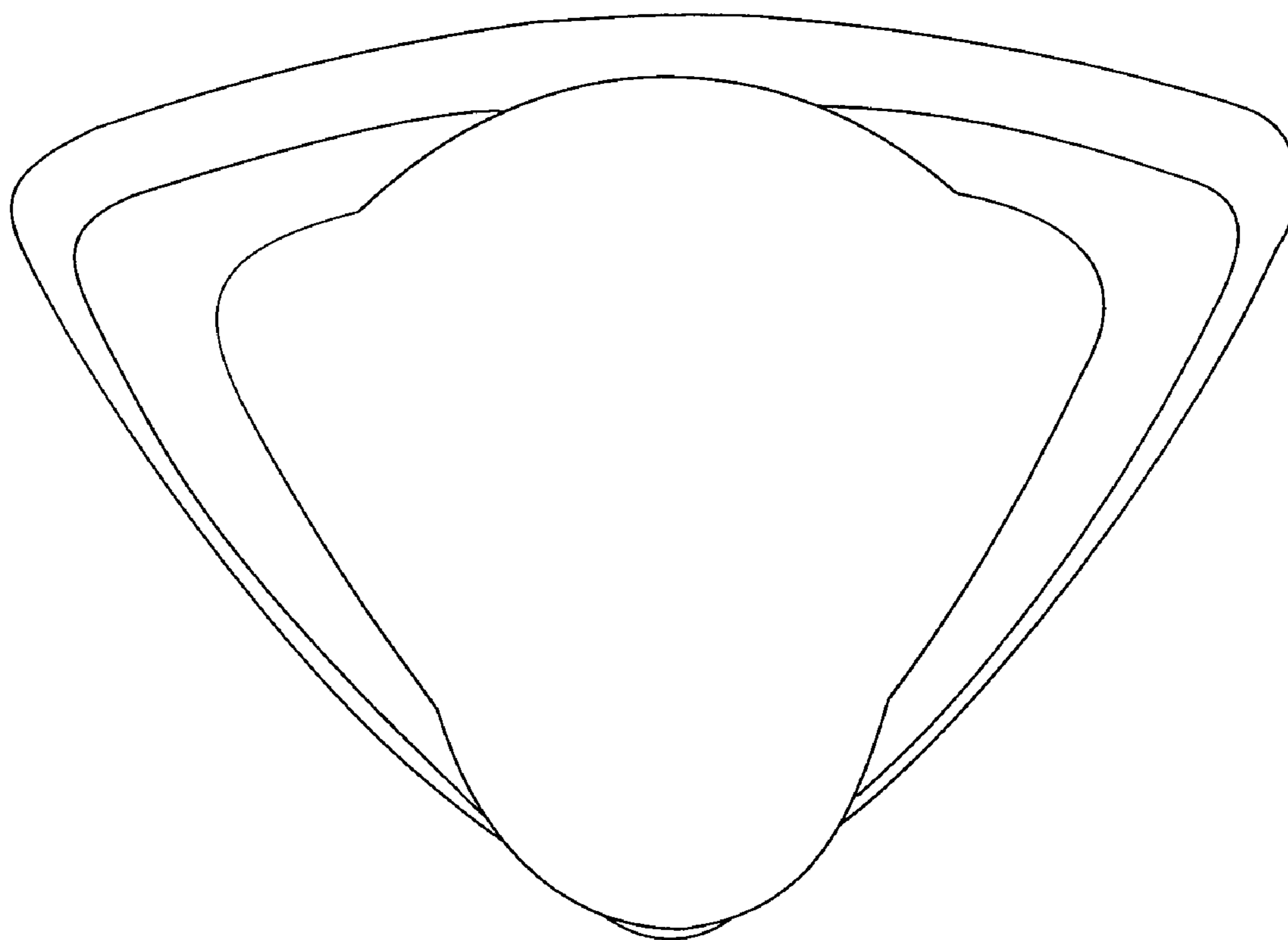


FIG. 12

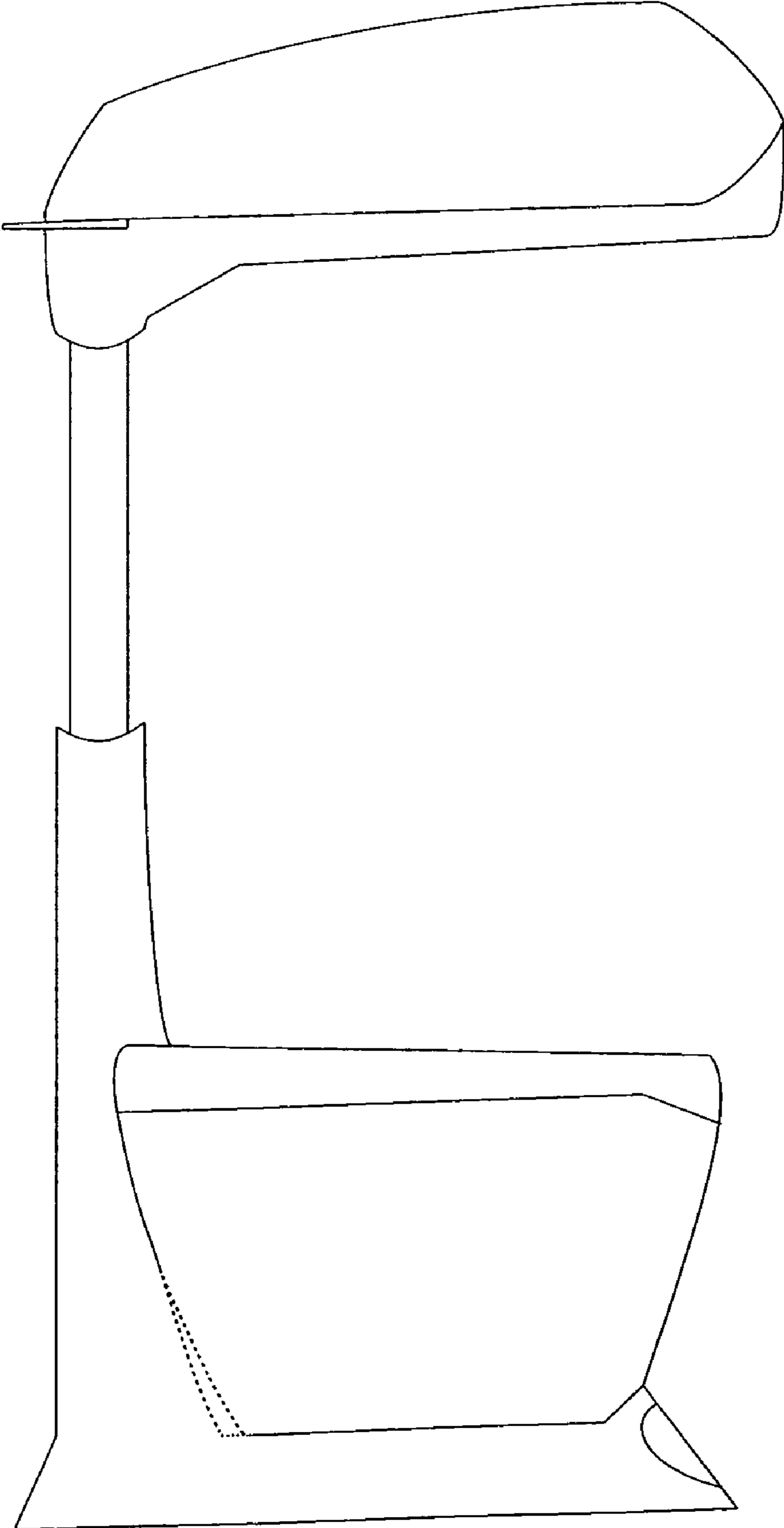


FIG. 13

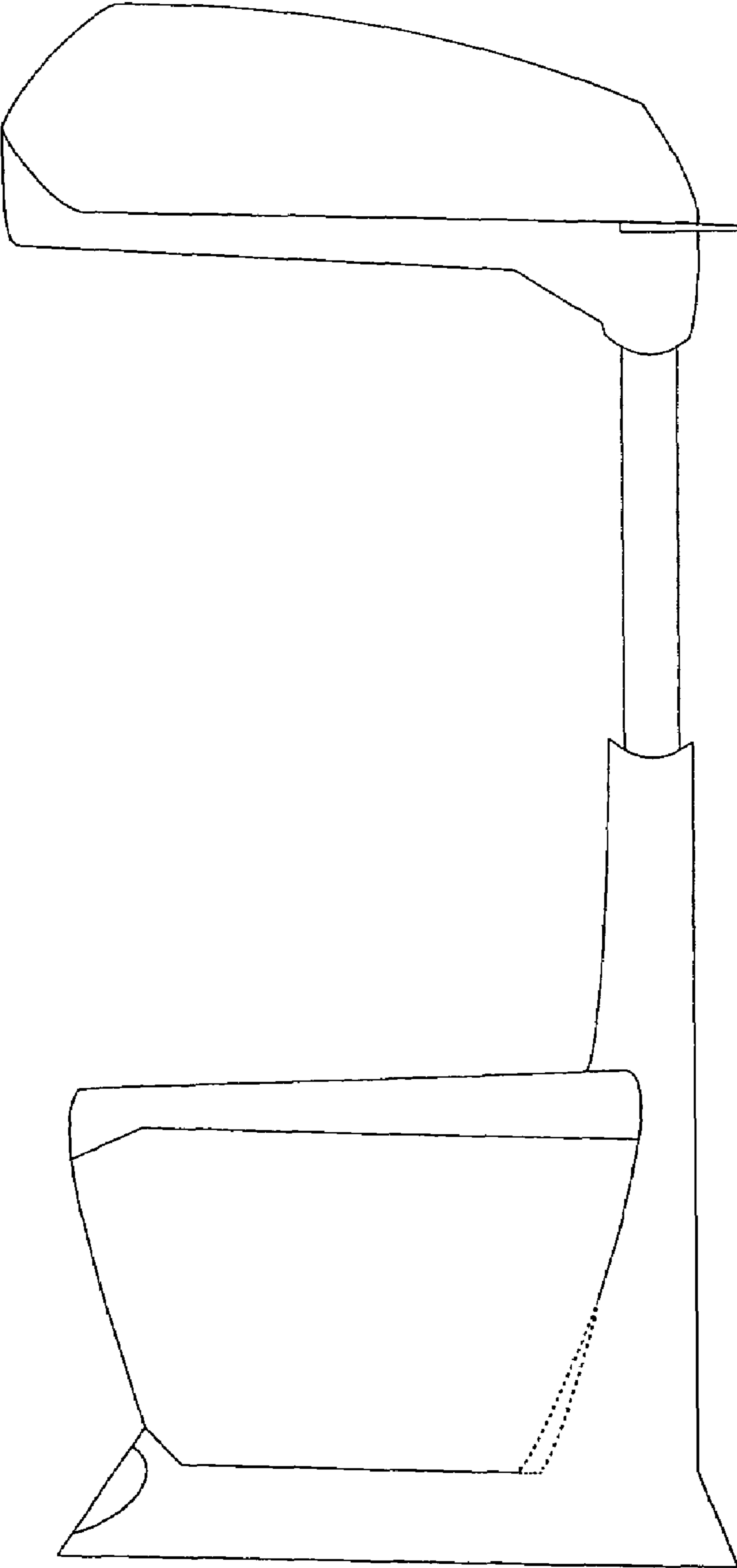


FIG. 14

