



US00D604196S

(12) **United States Design Patent**
Bissonnette et al.

(10) **Patent No.:** **US D604,196 S**

(45) **Date of Patent:** **** Nov. 17, 2009**

(54) **INDOOR GARDENING APPLIANCE**

(75) Inventors: **W. Michael Bissonnette**, Boulder, CO (US); **Brett Pardikes**, Arvada, CO (US); **Terry Robertson**, Boulder, CO (US); **Chris Rogers**, Louisville, CO (US); **John Thompson**, Niwot, CO (US); **Sylvia Bernstein**, Boulder, CO (US)

(73) Assignee: **AeroGrow International, Inc.**, Boulder, CO (US)

(**) Term: **14 Years**

(21) Appl. No.: **29/292,564**

(22) Filed: **Oct. 17, 2007**

(51) **LOC (9) Cl.** **11-02**

(52) **U.S. Cl.** **D11/144**

(58) **Field of Classification Search** D6/403–405, D6/556; D8/1; D11/143–156; D19/77, D19/81, 84; D26/9, 16, 19; D34/1–11; 47/32.7, 47/33, 39, 41.01, 41.1, 41.11–41.15, 44–47, 47/65.5, 65.9, 66.1, 66.6, 66.7, 67–71
See application file for complete search history.

(56) **References Cited**

U.S. PATENT DOCUMENTS

D242,941 S *	1/1977	Nagata	D11/144
D244,838 S *	6/1977	LeBreux	D11/144
D323,794 S *	2/1992	Wianecki	D11/144
D342,335 S *	12/1993	Bowlby	D11/143
5,430,972 A *	7/1995	Wianecki	47/66.6
D366,226 S *	1/1996	Foutes	D11/144
D416,102 S *	11/1999	Schulman et al.	D11/144
D548,915 S *	8/2007	Yang et al.	D34/6
D556,412 S *	11/2007	Zorzo	D34/5

* cited by examiner

Primary Examiner—Caron Veynar

Assistant Examiner—Garth Rademaker

(74) *Attorney, Agent, or Firm*—Laura L. Conley

(57) **CLAIM**

The ornamental design for an indoor gardening appliance, as shown and described.

DESCRIPTION

The design consists of the design for an indoor gardening appliance as shown in the drawings and described below. The indoor gardening appliance is intended to be used for germinating seeds and/or growing plants, including fruits, vegetables, herbs, and flowers, by using soil, soil-less, hydroponic, and/or aeroponic methods, by delivering light, nutrients, and water to the growing seeds and plants.

FIG. 1 is a front elevation of an indoor gardening appliance of the instant design;

FIG. 2 is a back elevation view thereof;

FIG. 3 is a top plan view thereof;

FIG. 4 is a bottom plan view thereof;

FIG. 5 is a right side view thereof;

FIG. 6 is a left side view thereof;

FIG. 7 is a front and side perspective view thereof;

FIG. 8 is a front elevation view thereof, shown with the lamp hood raised;

FIG. 9 is a back elevation view thereof;

FIG. 10 is a right side view thereof, the left side elevation view being a mirror image thereof; and,

FIG. 11 is a top, front, left side perspective thereof.

1 Claim, 11 Drawing Sheets

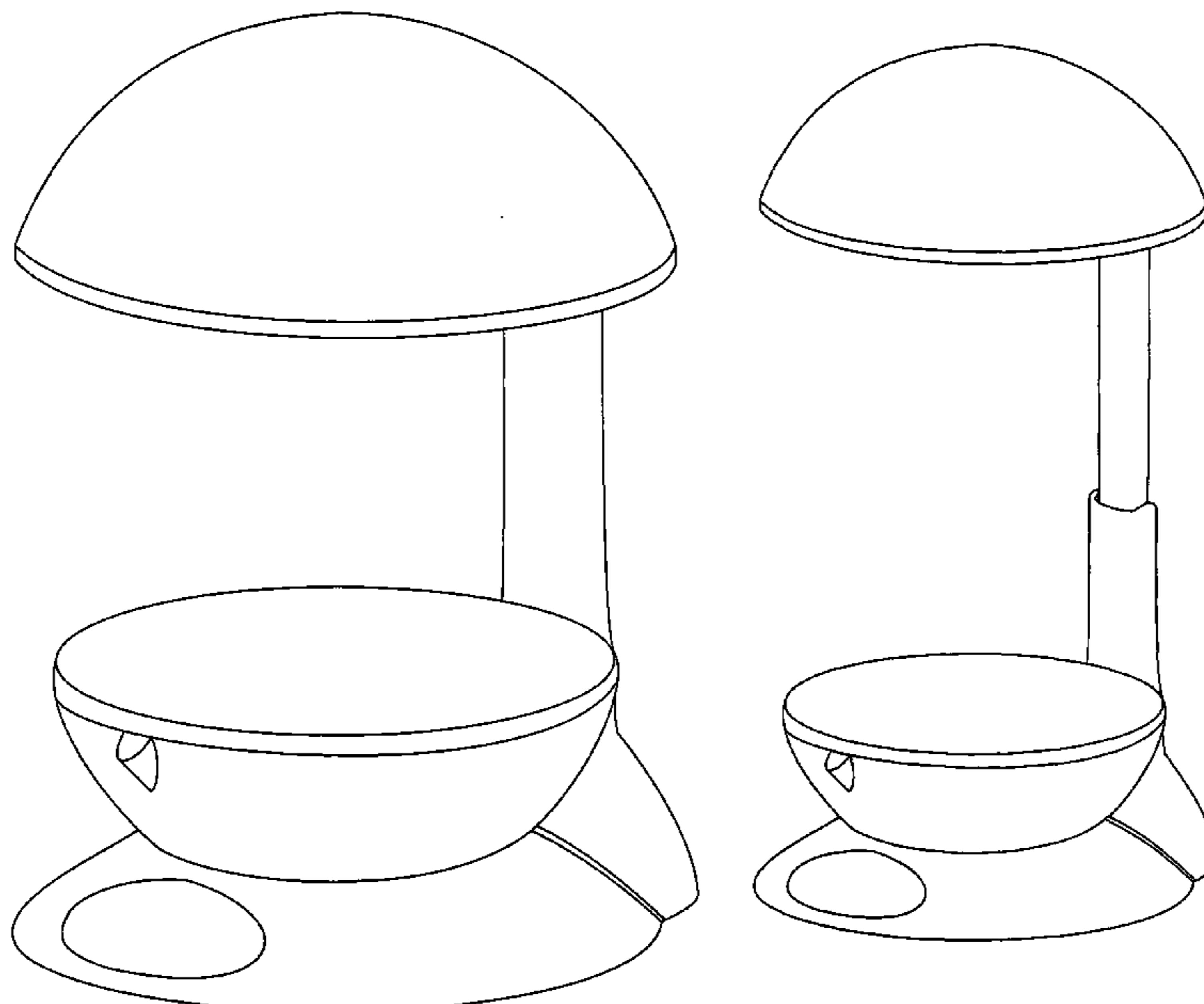


FIG. 1

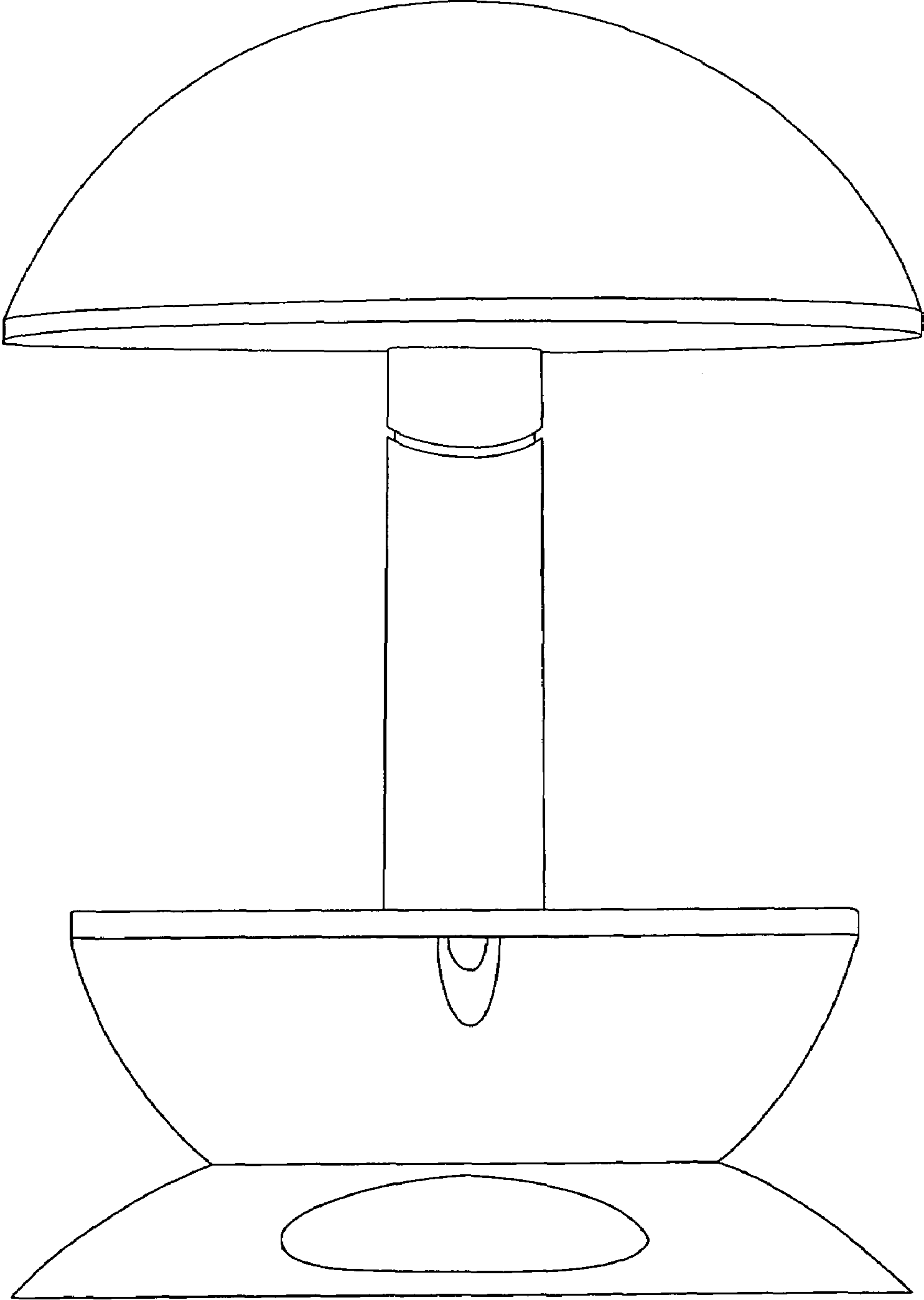


FIG. 2

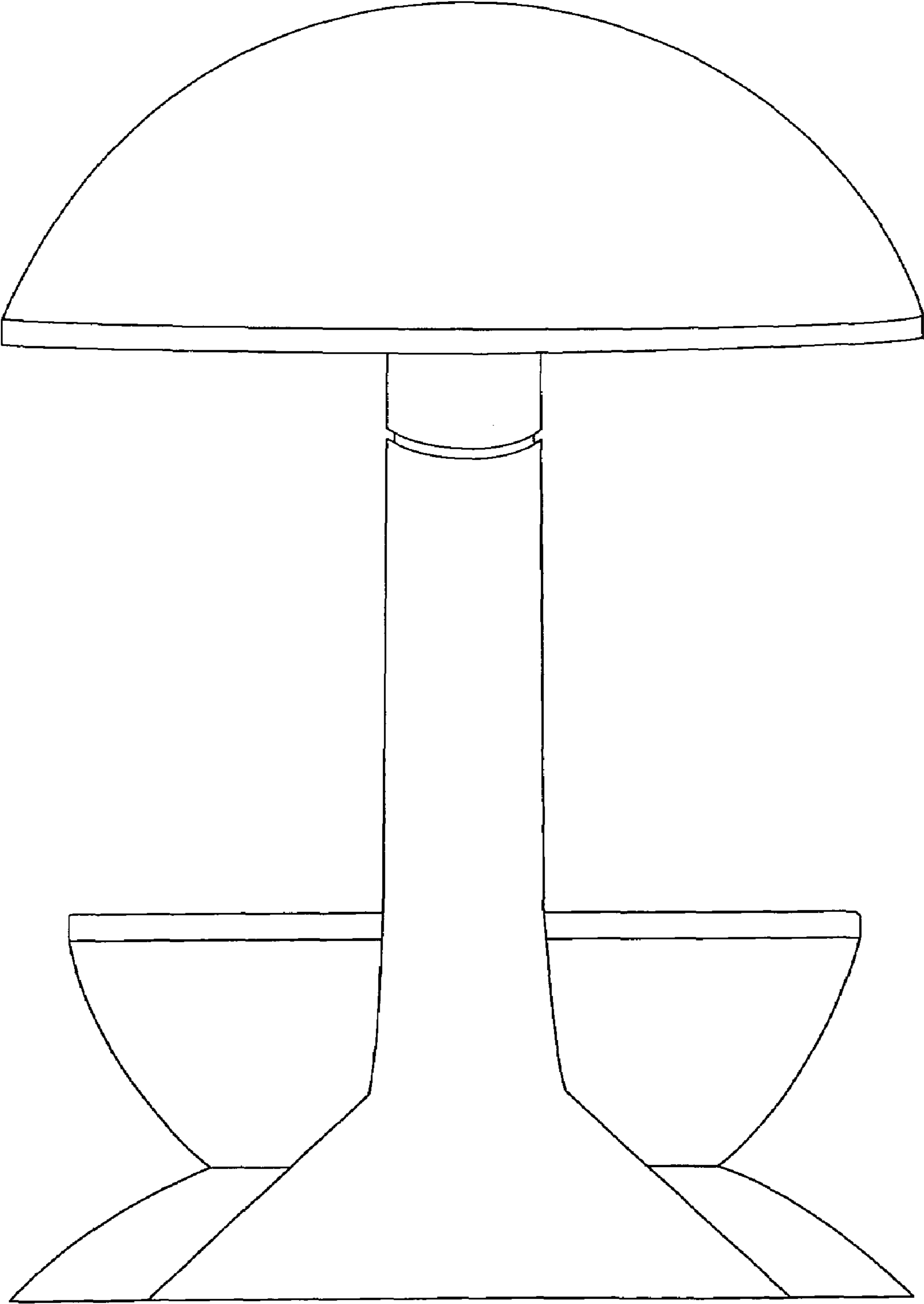


FIG. 3

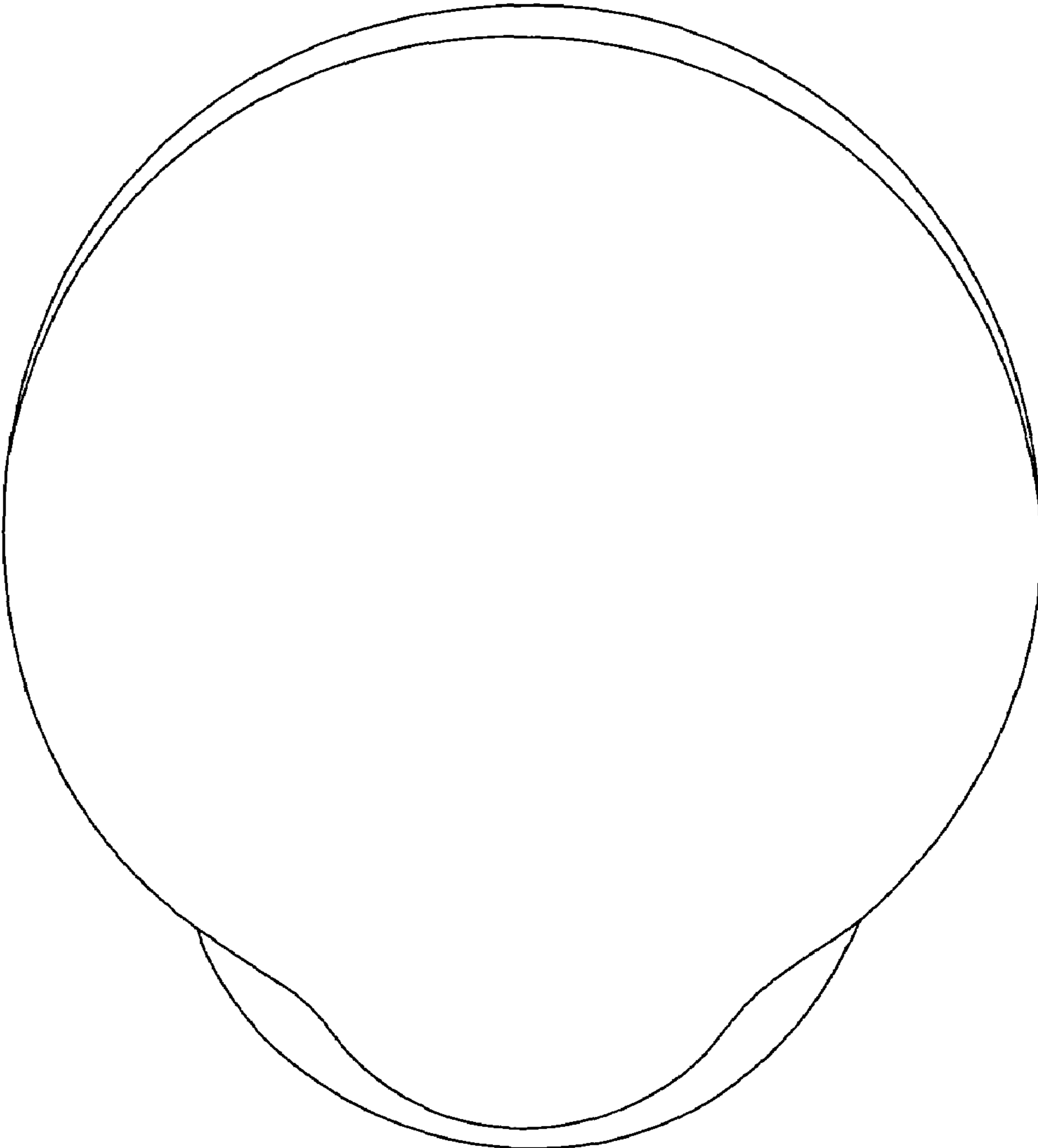


FIG. 4

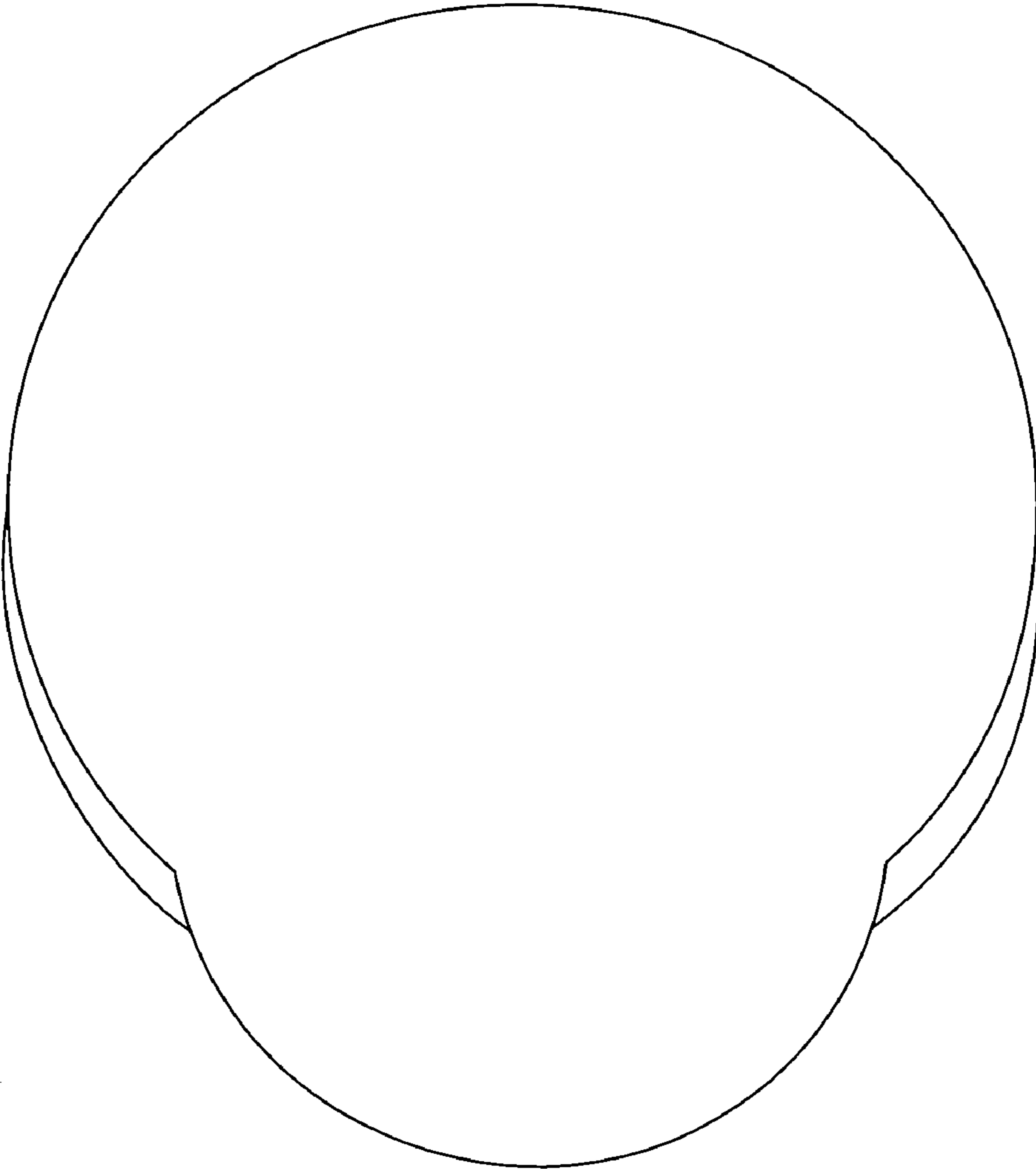


FIG. 5

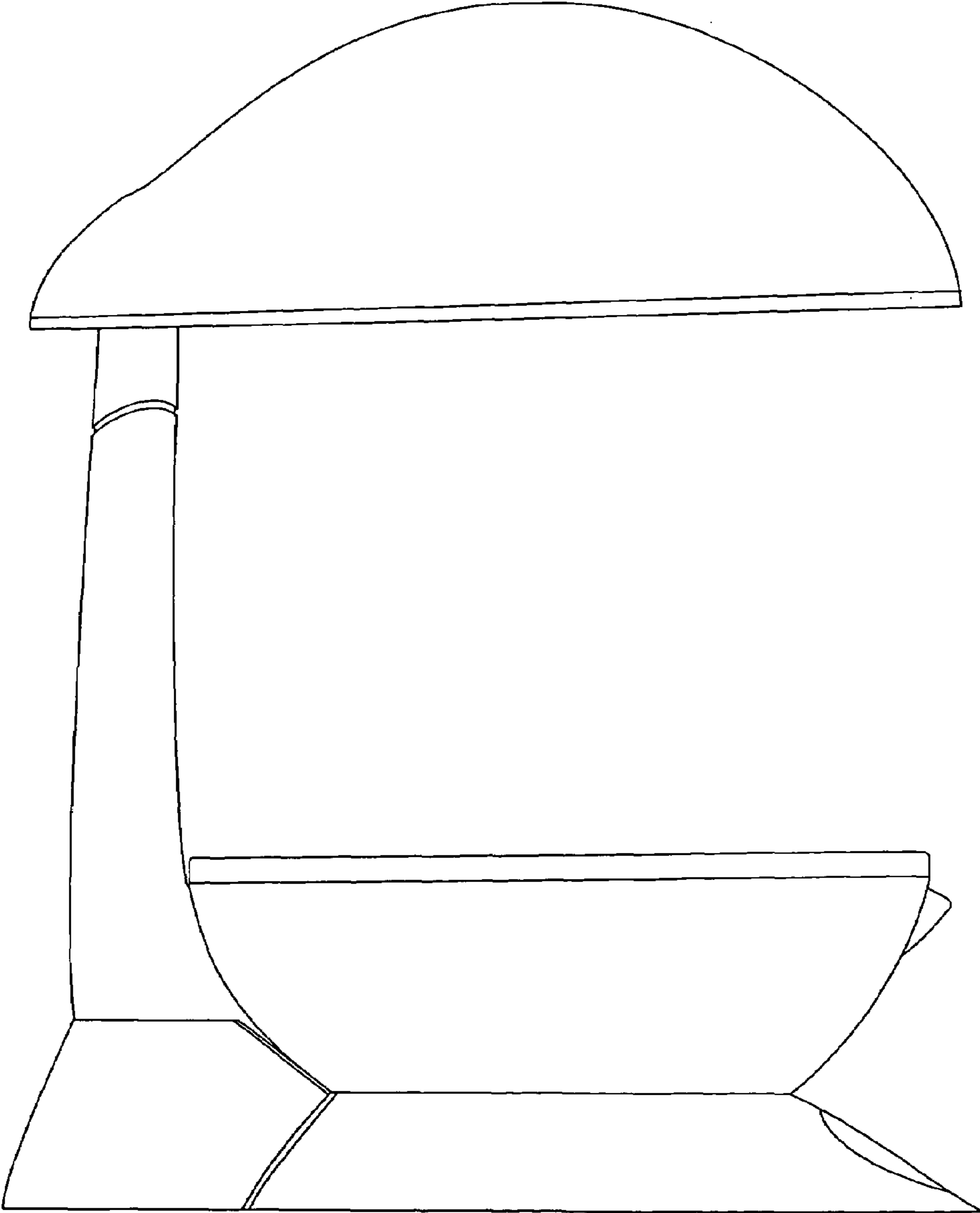


FIG. 6

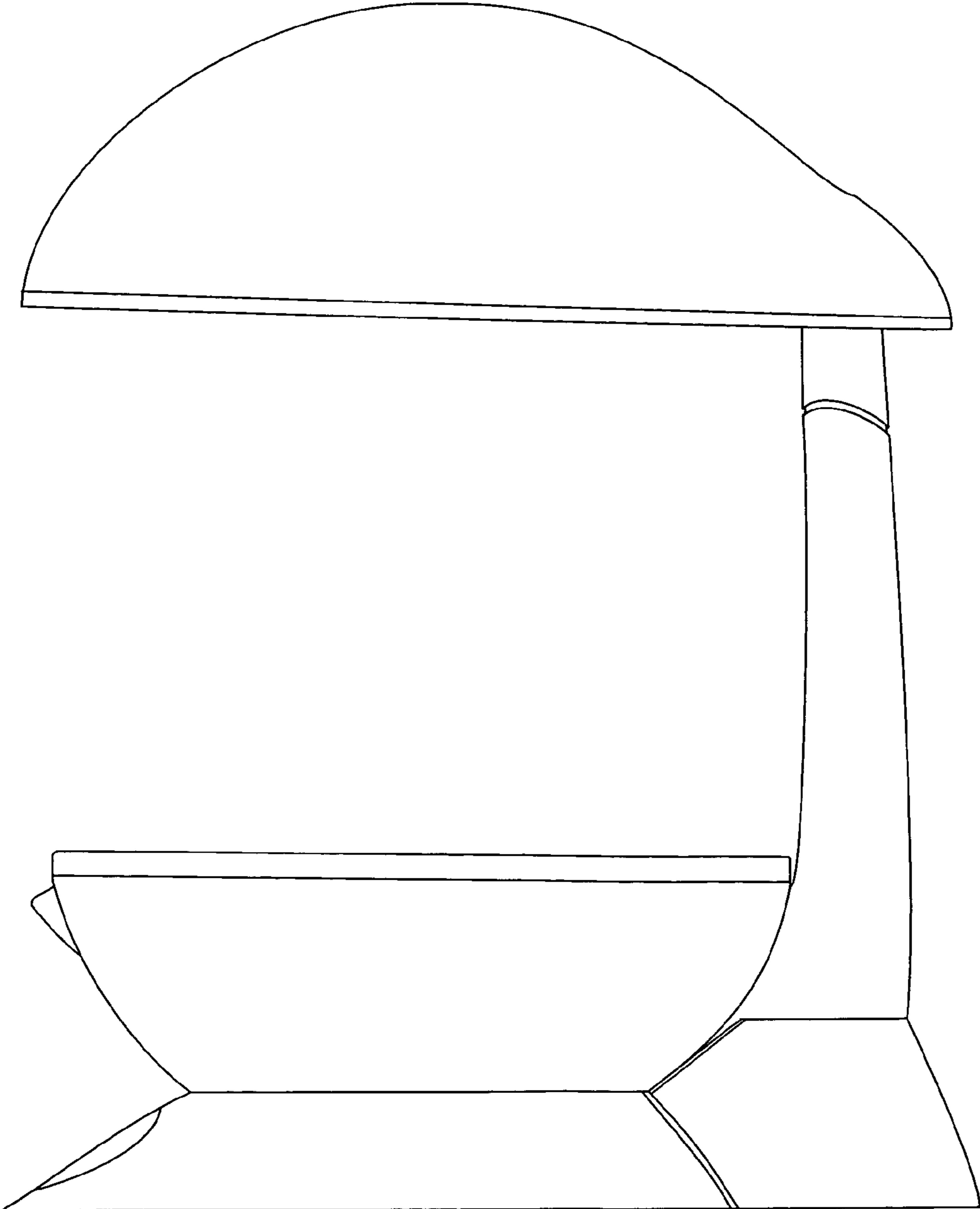


FIG. 7

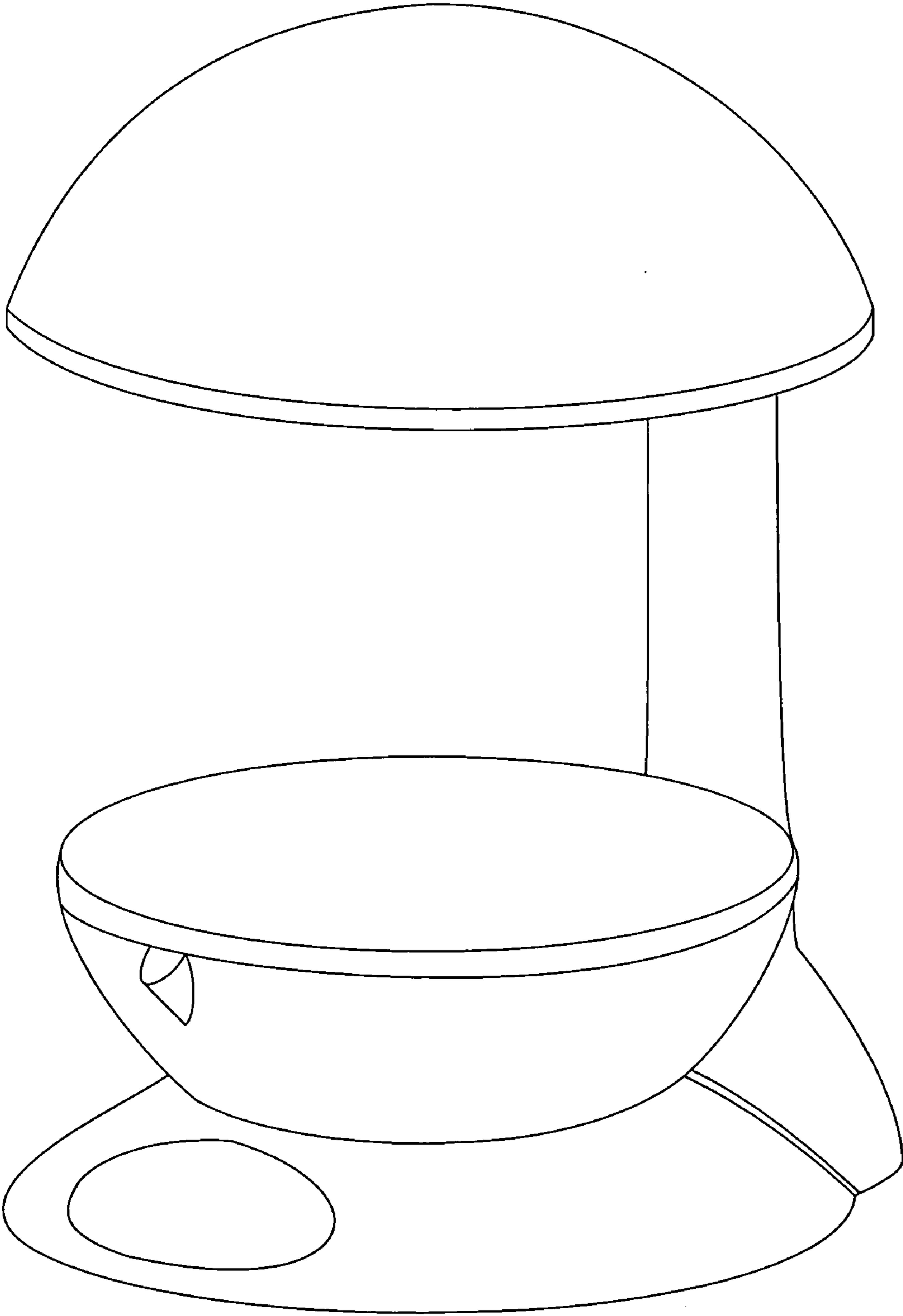


FIG. 8

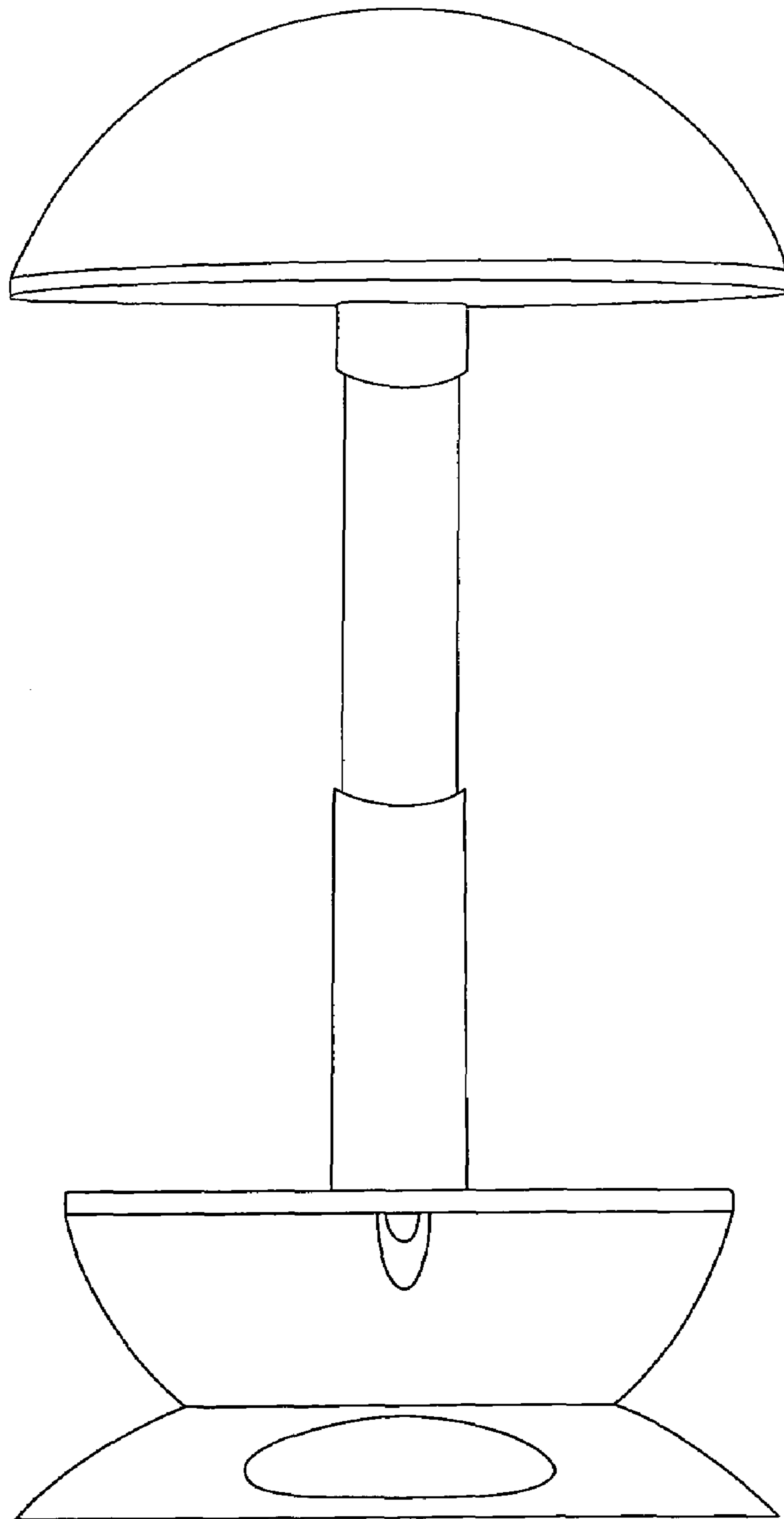


FIG. 9

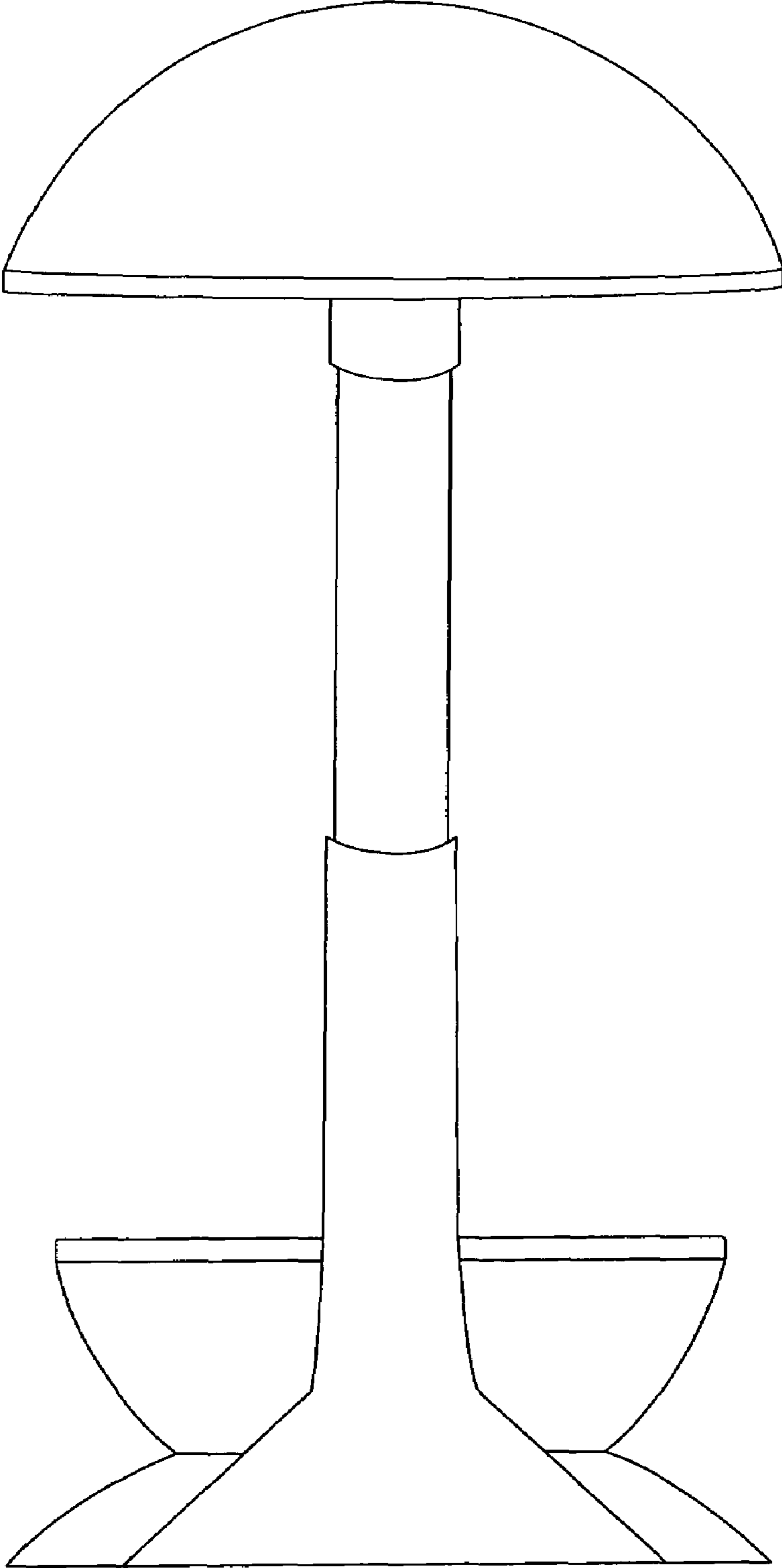


FIG. 10

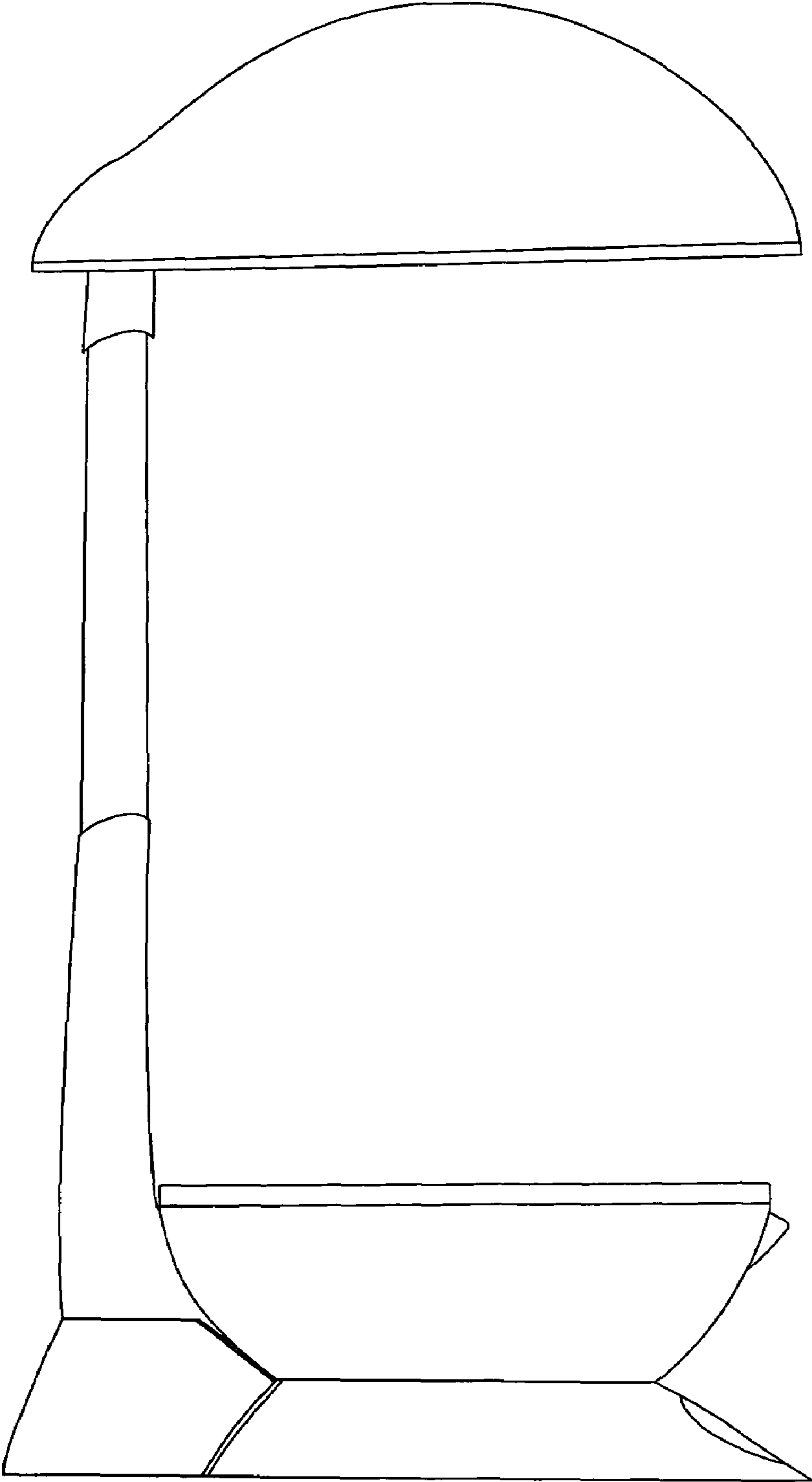


FIG. 11

