

US00D604188S

(12) **United States Design Patent**
Shin

(10) **Patent No.:** **US D604,188 S**

(45) **Date of Patent:** **** Nov. 17, 2009**

(54) **MINI LIGHT BAR**

(76) Inventor: **David D Shin**, 7322 Madison St.,
Paramount, CA (US) 90723

(**) Term: **14 Years**

(21) Appl. No.: **29/335,640**

(22) Filed: **Apr. 17, 2009**

(51) **LOC (9) Cl.** **10-05**

(52) **U.S. Cl.** **D10/114**

(58) **Field of Classification Search** D10/109,
D10/111, 114; 340/815, 432, 908.1, 815.03,
340/760, 761, 767, 782, 471, 473, 480; 26/72,
26/85, 29-31, 60, 76

See application file for complete search history.

(56) **References Cited**

U.S. PATENT DOCUMENTS

2,814,029	A	11/1957	McRea	
3,278,741	A	10/1966	Wood	
D249,250	S	9/1978	Peirisj, Jr.	
4,353,110	A *	10/1982	Ellis	362/35
4,357,595	A	11/1982	Gosswiller	
D274,001	S	5/1984	Sailers	
4,620,268	A	10/1986	Ferenc	
4,937,711	A	6/1990	Shuen	
4,956,753	A	9/1990	Renfrew	
D315,421	S *	3/1991	Goldschmidt	D26/85
D324,921	S	3/1992	Stanuch et al.	
D330,687	S *	11/1992	Stanuch	D10/114
D355,142	S	2/1995	Wagner	
D400,675	S	11/1998	Sopko	
D419,249	S	1/2000	Ford et al.	
D431,489	S *	10/2000	Eckersley	D10/114
6,142,649	A *	11/2000	Beghelli	362/259
D442,106	S	5/2001	Stein et al.	
D456,930	S *	5/2002	Russello et al.	D26/85
6,461,008	B1	10/2002	Pederson	
D473,672	S *	4/2003	Lay et al.	D26/80
6,590,502	B1	7/2003	Pederson	
6,623,151	B2	9/2003	Pederson	

D483,511	S *	12/2003	Lay et al.	D26/80
6,788,217	B2	9/2004	Pederson	
6,789,930	B2	9/2004	Pederson	
6,814,459	B2	11/2004	Pederson	
6,822,578	B2	11/2004	Pederson	
7,033,036	B2	4/2006	Pederson	
D524,673	S *	7/2006	Dicke et al.	D10/114
D558,910	S *	1/2008	Martineau et al.	D26/85
D561,058	S *	2/2008	Taylor	D10/106
D564,694	S *	3/2008	Southern, Jr.	D26/85
7,394,398	B2	7/2008	Pederson	

* cited by examiner

Primary Examiner—Caron Veynar

Assistant Examiner—George D Kirschbaum

(74) *Attorney, Agent, or Firm*—Kirk A. Buhler; Buhler & Associates

(57) **CLAIM**

The ornamental design for a mini light bar, as shown and described.

DESCRIPTION

FIG. 1 is a top, left perspective view of a mini light bar showing my new design;

FIG. 2 is a top view thereof;

FIG. 3 is a bottom view thereof;

FIG. 4 is a front view thereof;

FIG. 5 is a back view thereof;

FIG. 6 is a left view thereof;

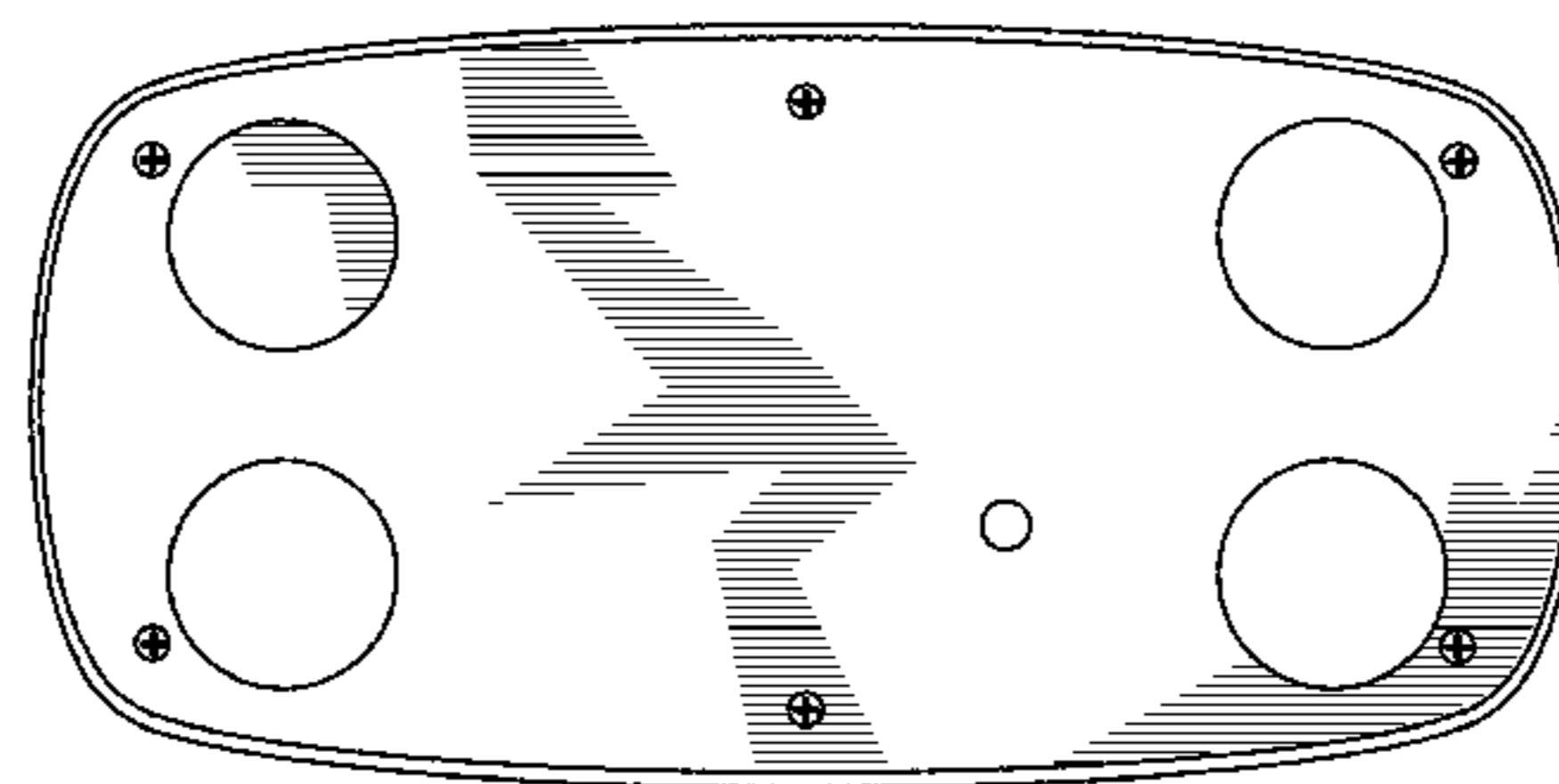
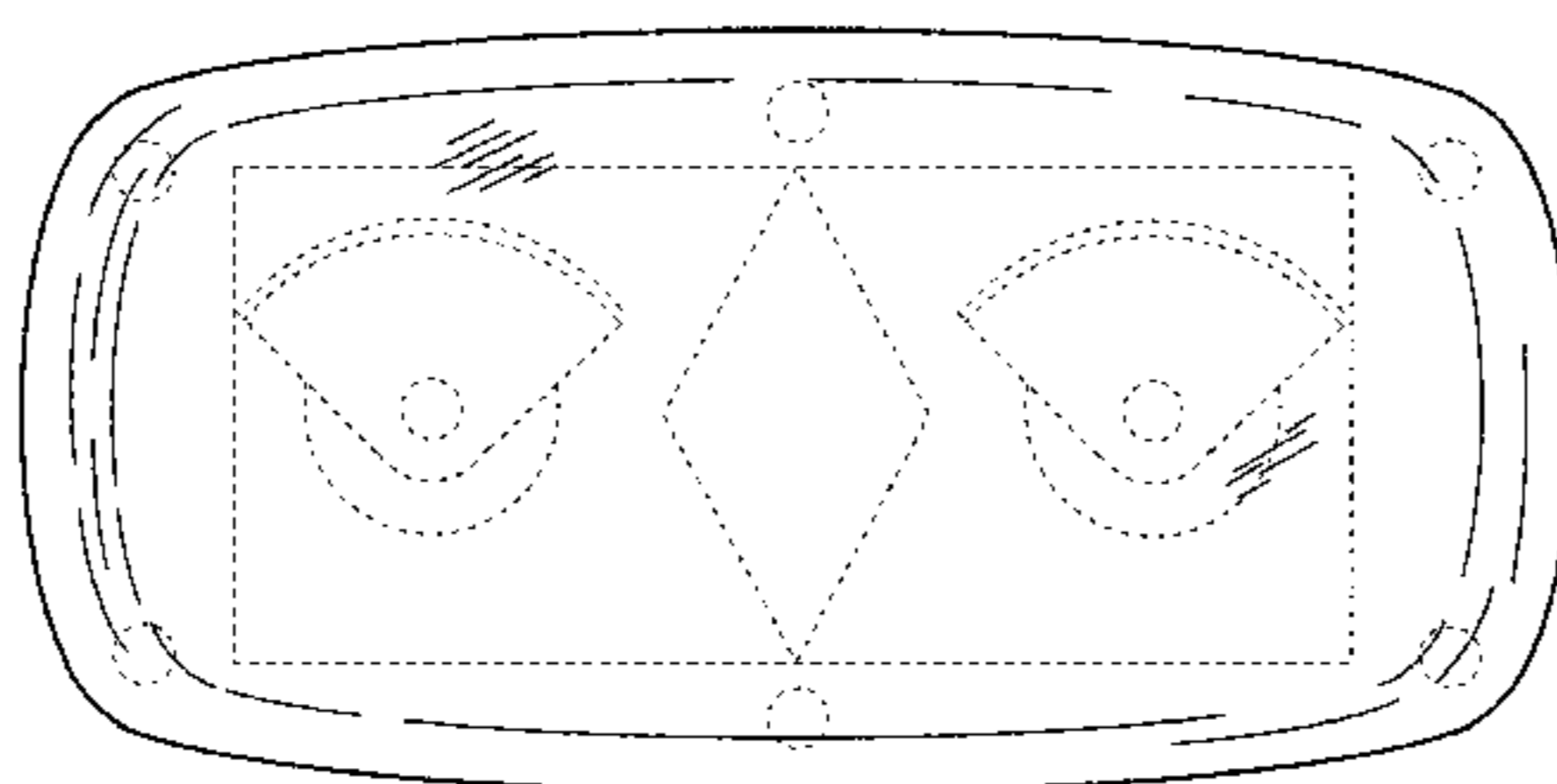
FIG. 7 is a right view thereof; and,

FIG. 8 is a view of the mini light bar mounted on the roof of a vehicle.

The broken lines in FIGS. 1 and 3-8 depict environmental subject matter internal to the invention and form no part of the claimed design.

The broken lines in FIG. 8 depict environmental subject matter of a vehicle and form no part of the claimed design.

1 Claim, 5 Drawing Sheets



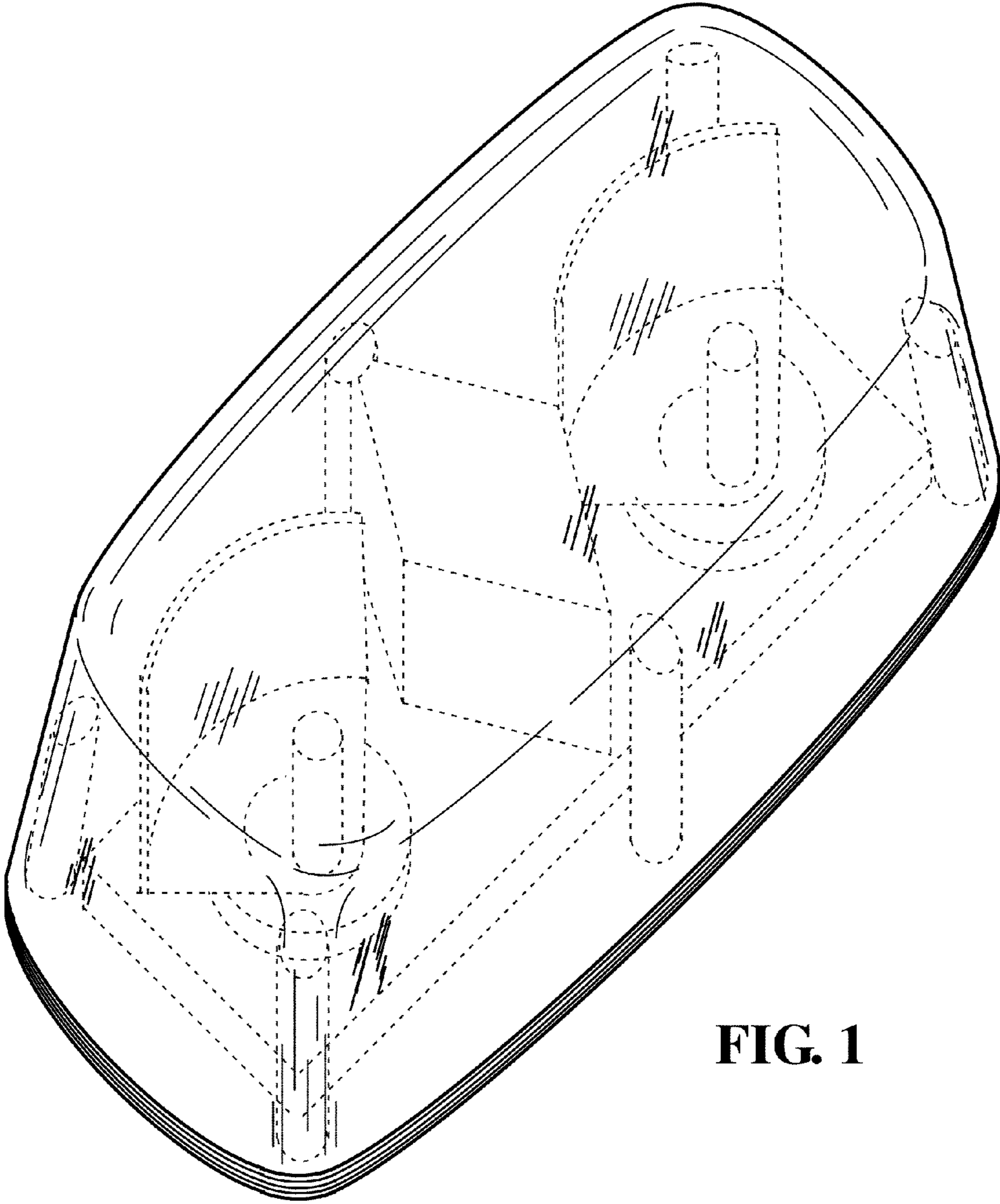


FIG. 1

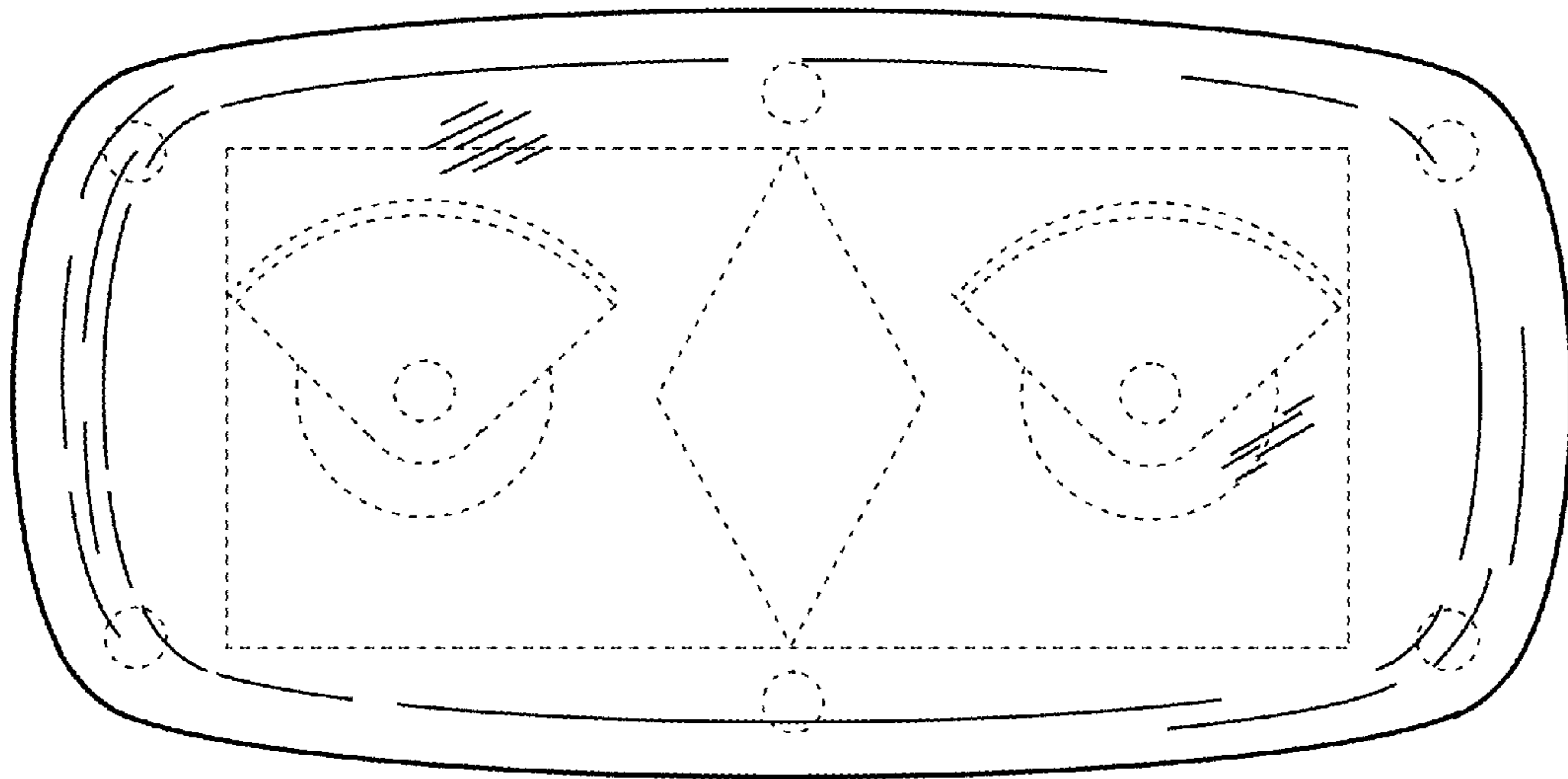


FIG. 2

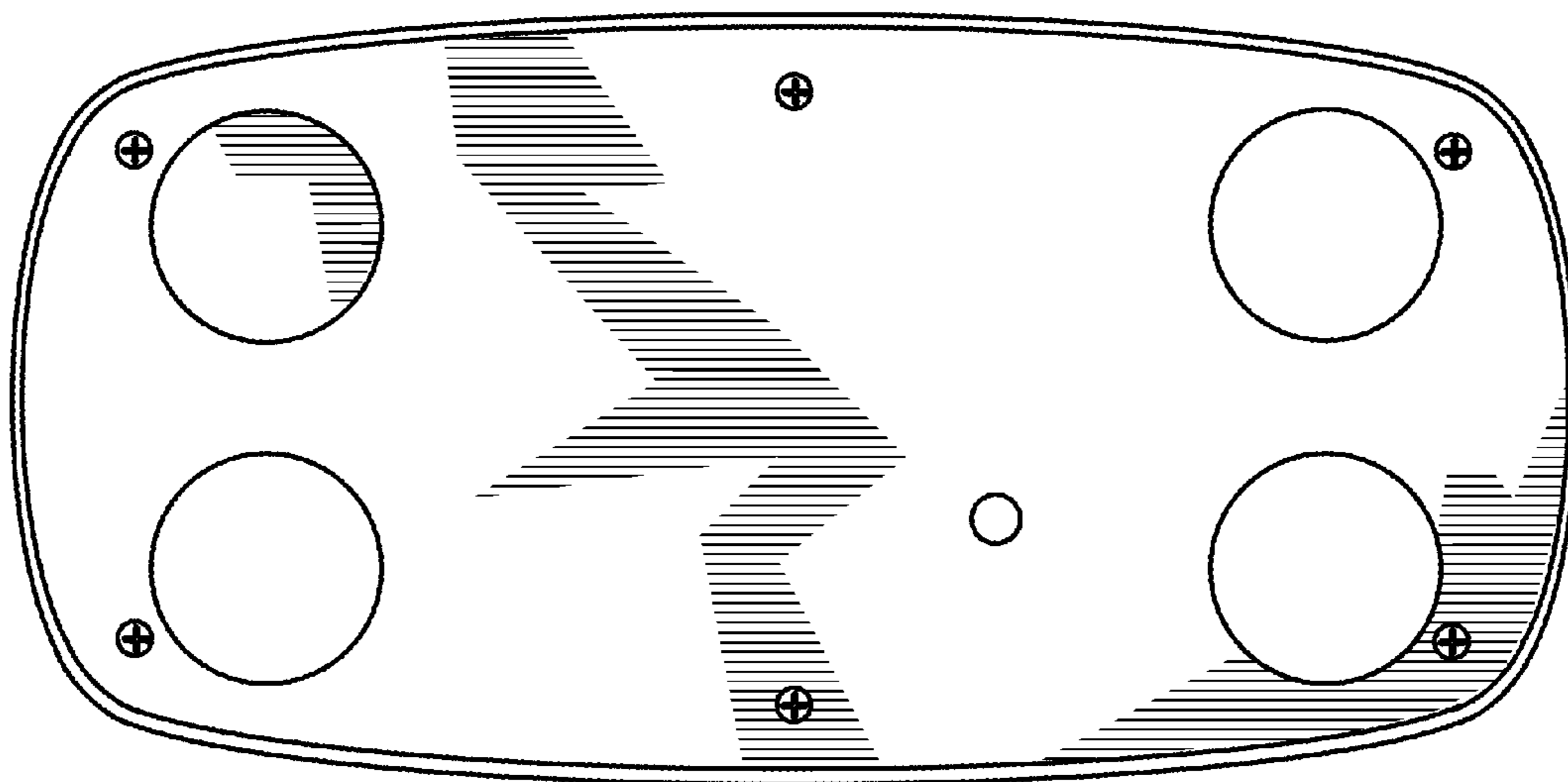


FIG. 3

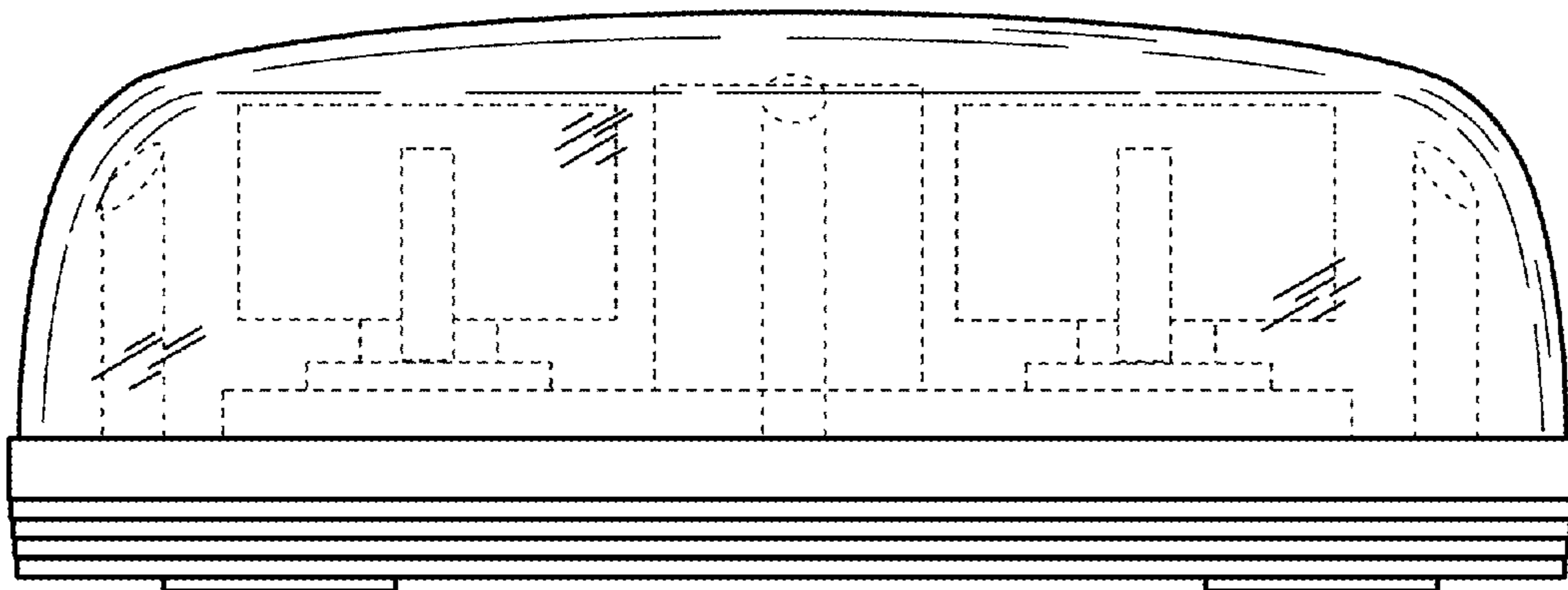


FIG. 4

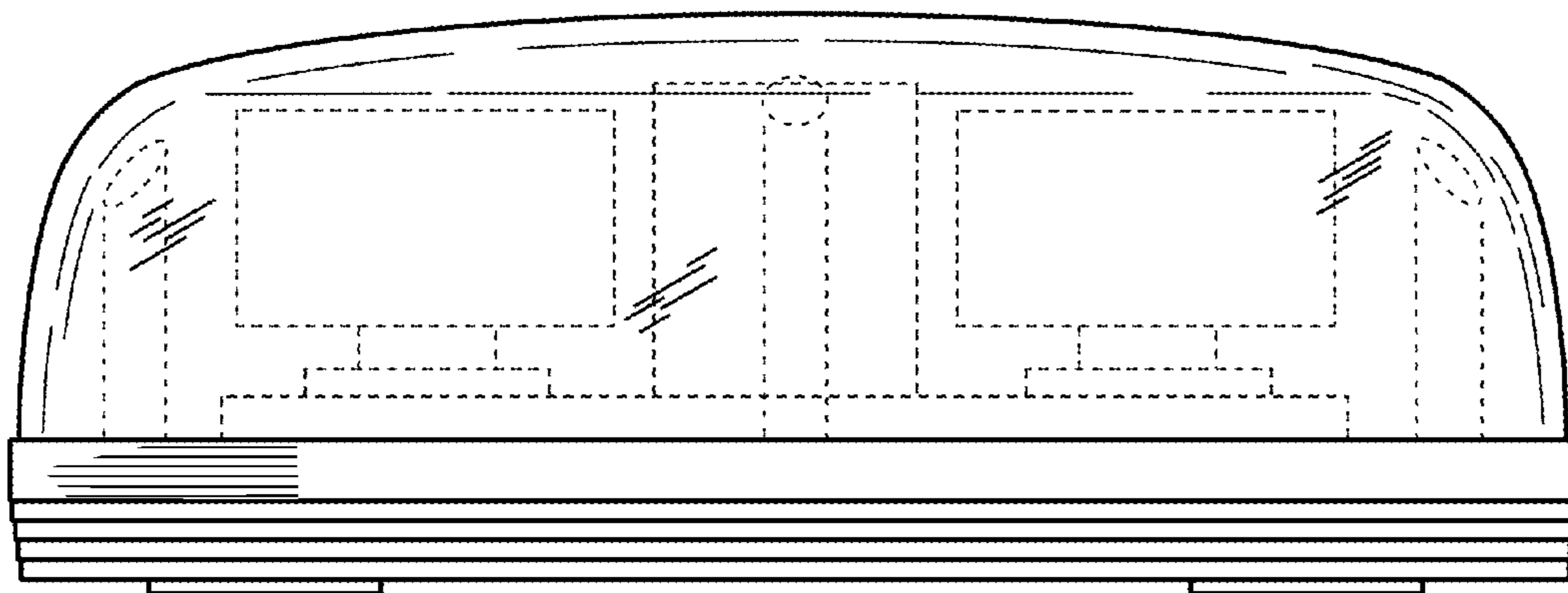


FIG. 5

FIG. 6

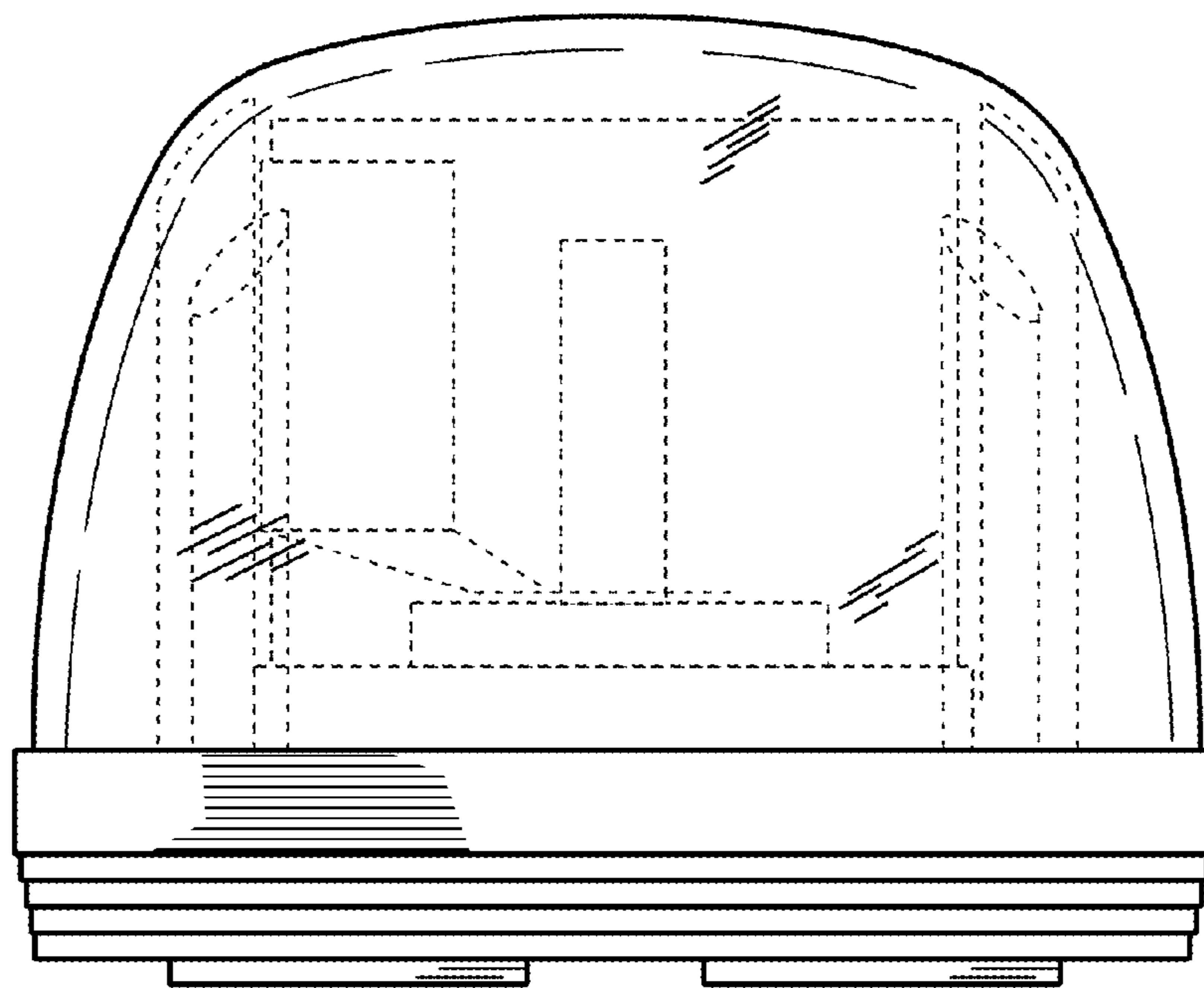
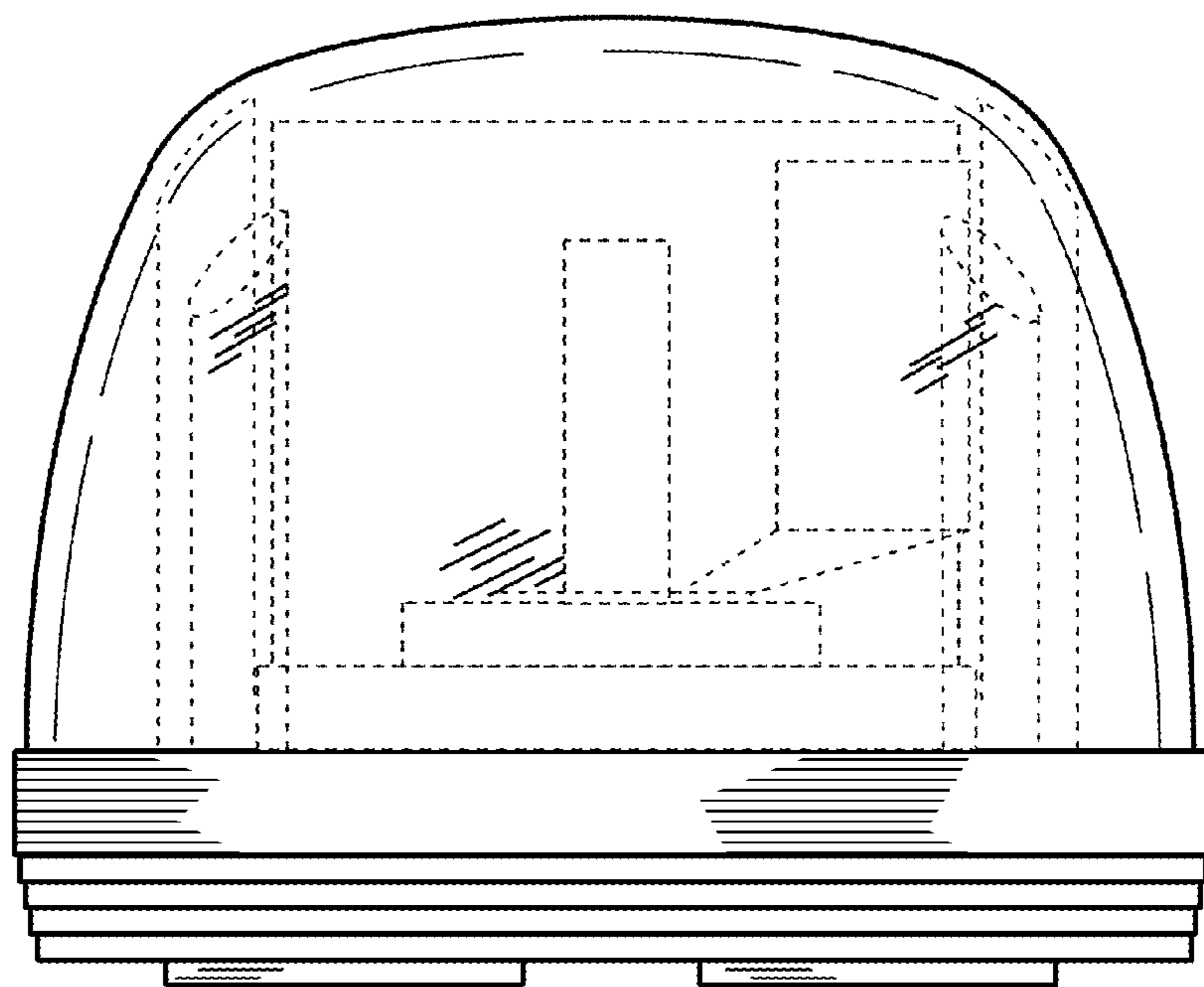


FIG. 7



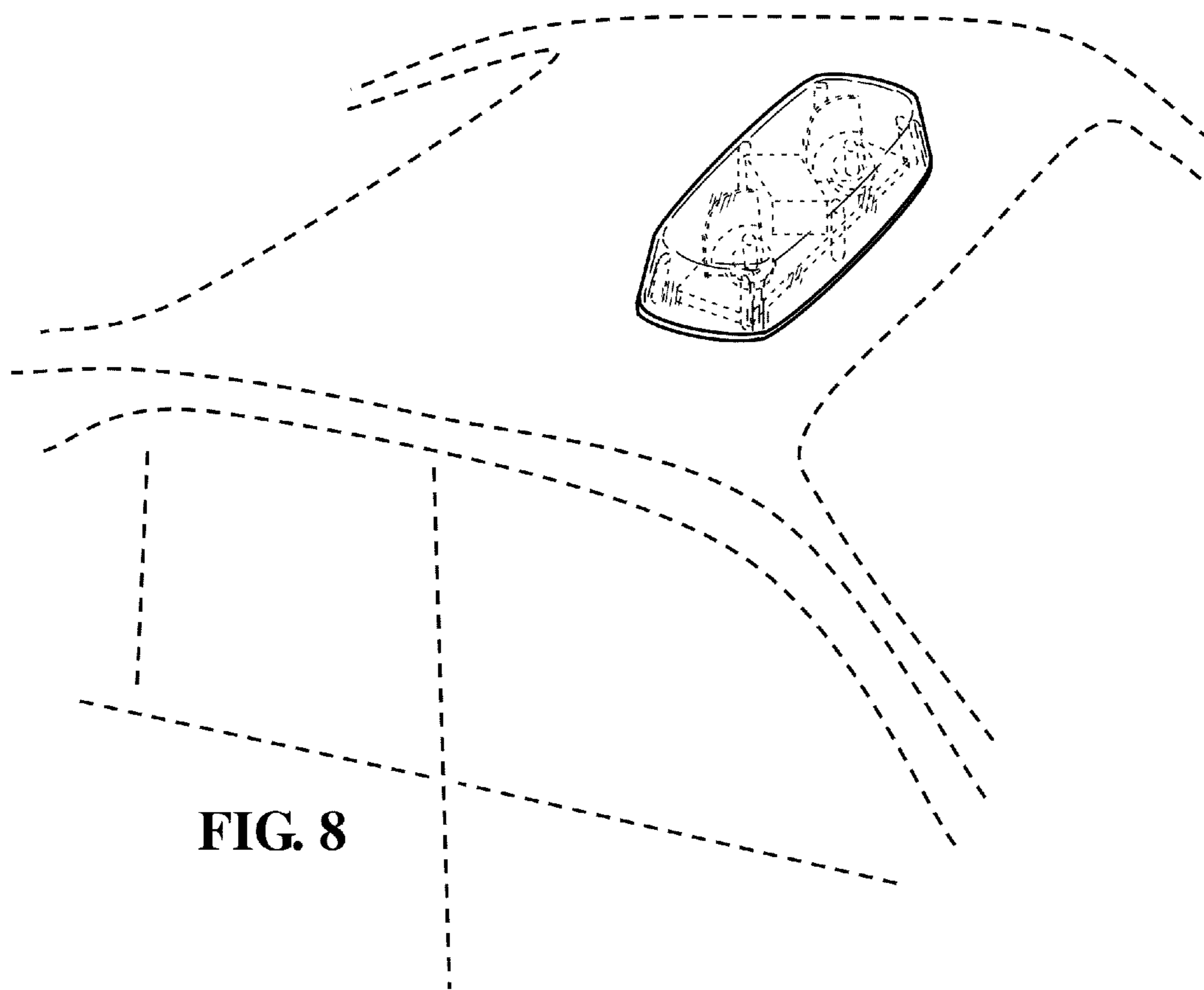


FIG. 8



US00D604188C1

(12) **EX PARTE REEXAMINATION CERTIFICATE** (9623rd)
United States Patent
Shin

(10) **Number:** **US D604,188 C1**
(45) **Certificate Issued:** **Apr. 30, 2013**

(54) **MINI LIGHT BAR**

(76) **Inventor:** **David D Shin**, Paramount, CA (US)

Reexamination Request:

No. 90/012,381, Jun. 29, 2012

Reexamination Certificate for:

Patent No.: **Des. 604,188**
Issued: **Nov. 17, 2009**
Appl. No.: **29/335,640**
Filed: **Apr. 17, 2009**

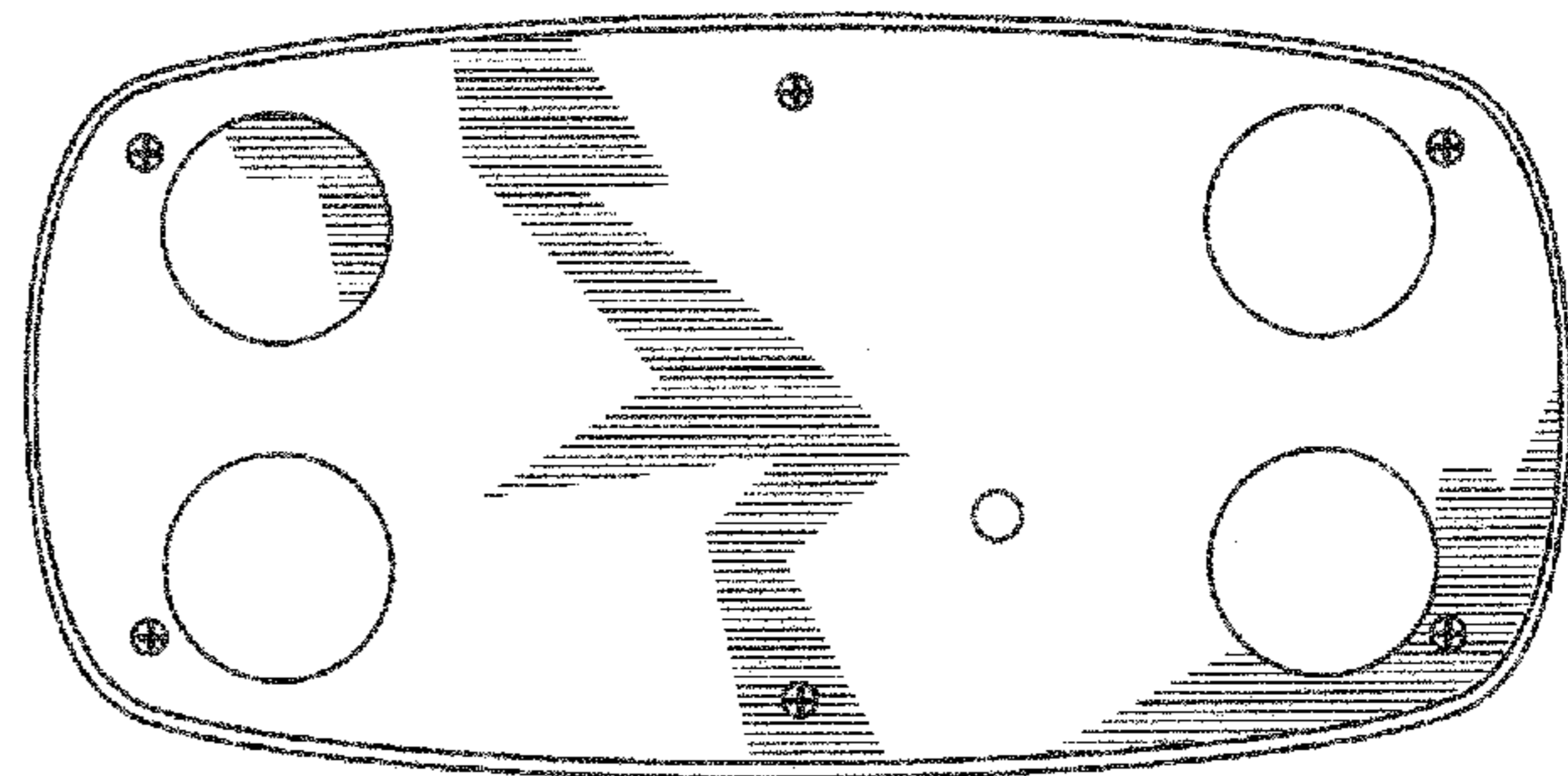
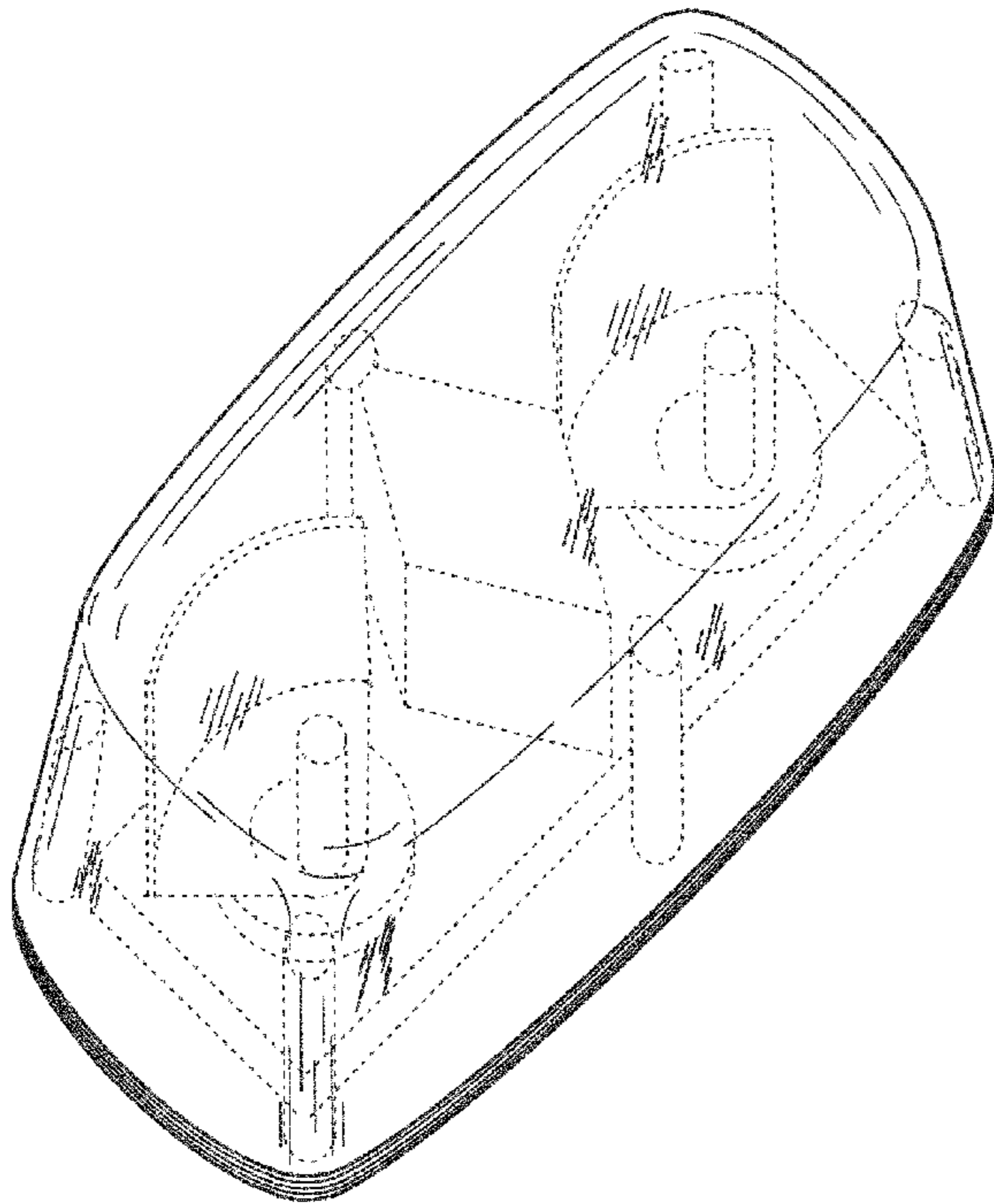
(51) **LOC (9) Cl.** **10-05**

(52) **U.S. Cl.**
USPC **D10/114**

(58) **Field of Classification Search**
None
See application file for complete search history.

(56) **References Cited**

To view the complete listing of prior art documents cited during the proceeding for Reexamination Control Number 90/012,381, please refer to the USPTO's public Patent Application Information Retrieval (PAIR) system under the Display References tab.
Primary Examiner — Melanie H Tung



**EX PARTE
REEXAMINATION CERTIFICATE
ISSUED UNDER 35 U.S.C. 307**

NO AMENDMENTS HAVE BEEN MADE TO
THE PATENT

5

AS A RESULT OF REEXAMINATION, IT HAS BEEN
DETERMINED THAT:

10

The patentability of single claim is confirmed.

* * * * *