



US00D604184S

(12) **United States Design Patent**
Leer et al.

(10) **Patent No.:** **US D604,184 S**

(45) **Date of Patent:** **** Nov. 17, 2009**

(54) **WATER TIMER**

(75) Inventors: **Rick L. Leer**, Somerset, PA (US);
William F. Zore, Friedens, PA (US)

(73) Assignee: **Robert Bosch GmbH**, Stuttgart (DE)

(**) Term: **14 Years**

(21) Appl. No.: **29/330,187**

(22) Filed: **Dec. 30, 2008**

(51) **LOC (9) Cl.** **10-03**

(52) **U.S. Cl.** **D10/40**

(58) **Field of Classification Search** D10/40;
D23/245; 137/624.11, 624.12, 624.18, 624.22,
137/624.21; 239/68, 69, 70

See application file for complete search history.

(56) **References Cited**

U.S. PATENT DOCUMENTS

3,187,943	A *	6/1965	Wolf	222/20
D208,451	S *	8/1967	Anesi	D23/245
4,592,505	A	6/1986	Bruninga et al.		
4,633,905	A	1/1987	Wang		
D299,516	S	1/1989	Wang		
4,797,820	A	1/1989	Wilson et al.		
4,807,664	A	2/1989	Wilson et al.		
D304,224	S *	10/1989	Wilson et al.	D23/245
5,101,859	A *	4/1992	Roman	137/624.18
D365,771	S *	1/1996	Clivio	D10/96
D377,316	S *	1/1997	Roman et al.	D10/40
5,826,619	A *	10/1998	Roman	137/624.11
D430,044	S *	8/2000	Clivio	D10/40
D431,195	S *	9/2000	Clivio	D10/40
6,283,139	B1 *	9/2001	Symonds et al.	137/78.3
D451,037	S *	11/2001	Jacobs et al.	D10/40
D451,411	S *	12/2001	Jacobs et al.	D10/40
D451,412	S *	12/2001	Jacobs et al.	D10/40
6,337,635	B1	1/2002	Ericksen et al.		
D467,187	S *	12/2002	Clivio	D10/40
D477,287	S *	7/2003	Roman	D13/162
D485,502	S *	1/2004	Clivio	D10/40
6,719,010	B1	4/2004	Yi-Chang		
D559,708	S *	1/2008	Michael et al.	D10/40
D567,680	S *	4/2008	Michael et al.	D10/40
D567,681	S *	4/2008	Michael et al.	D10/40

* cited by examiner

Primary Examiner—Lucy Lieberman

(74) *Attorney, Agent, or Firm*—Maginot, Moore & Beck

(57) **CLAIM**

The ornamental design for a water timer, as shown and described.

DESCRIPTION

Cross reference is made to co-pending U.S. patent applications: Ser. No. 12/346,466, entitled “Water Timer System having Removable Input and Display Module” by Rick L. Leer and William F. Zore; Ser. No. 29/330,182, entitled “Front Face of an Electronic Water Timer” by Rick L. Leer and William F. Zore; and Ser. No. 29/330,183, entitled “Front Face of an Electronic Water Timer” by Rick L. Leer and William F. Zore, all of which are assigned to the same assignee of the present invention, and all of which are filed on the same date herewith. All of the above-identified patent applications are herein incorporated by reference in their entirety.

FIG. 1 is a perspective view of a water timer showing our new design;

FIG. 2 is a right side elevational view showing the design for the water timer of FIG. 1;

FIG. 3 is a left side elevational view showing the design for the water timer of FIG. 1;

FIG. 4 is a front elevational view showing the design for the water timer of FIG. 1;

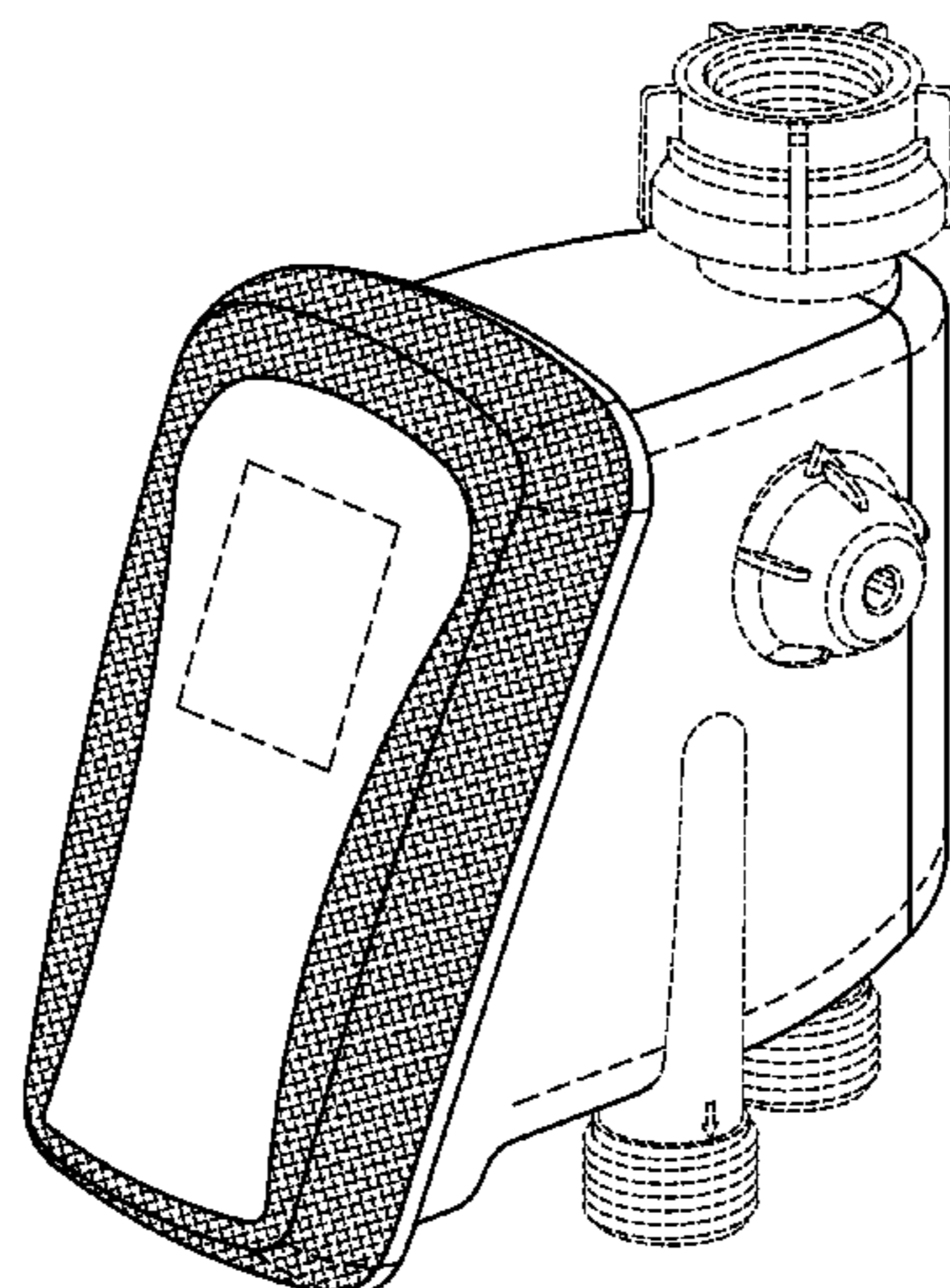
FIG. 5 is a rear elevational view showing the design for the water timer of FIG. 1;

FIG. 6 is a top plan view showing the design for the water timer of FIG. 1; and,

FIG. 7 is a bottom plan view showing the design for the water timer of FIG. 1.

The broken line showing of portions of the water timer, including the criss-cross surface pattern portion located around the peripheral portion of the input and display module, is included for illustrative purposes only and forms no part of the claimed design.

1 Claim, 7 Drawing Sheets



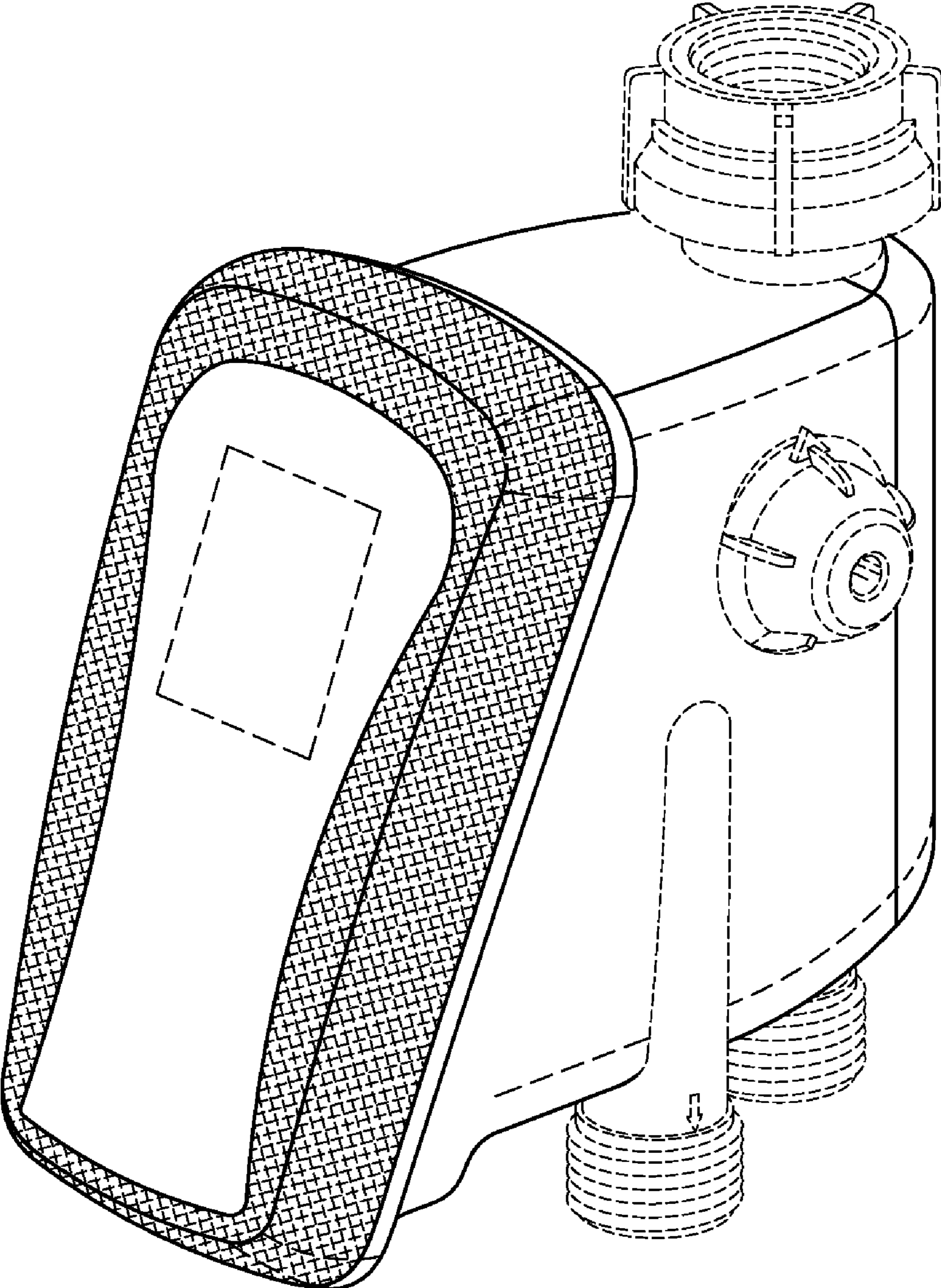


Fig. 1

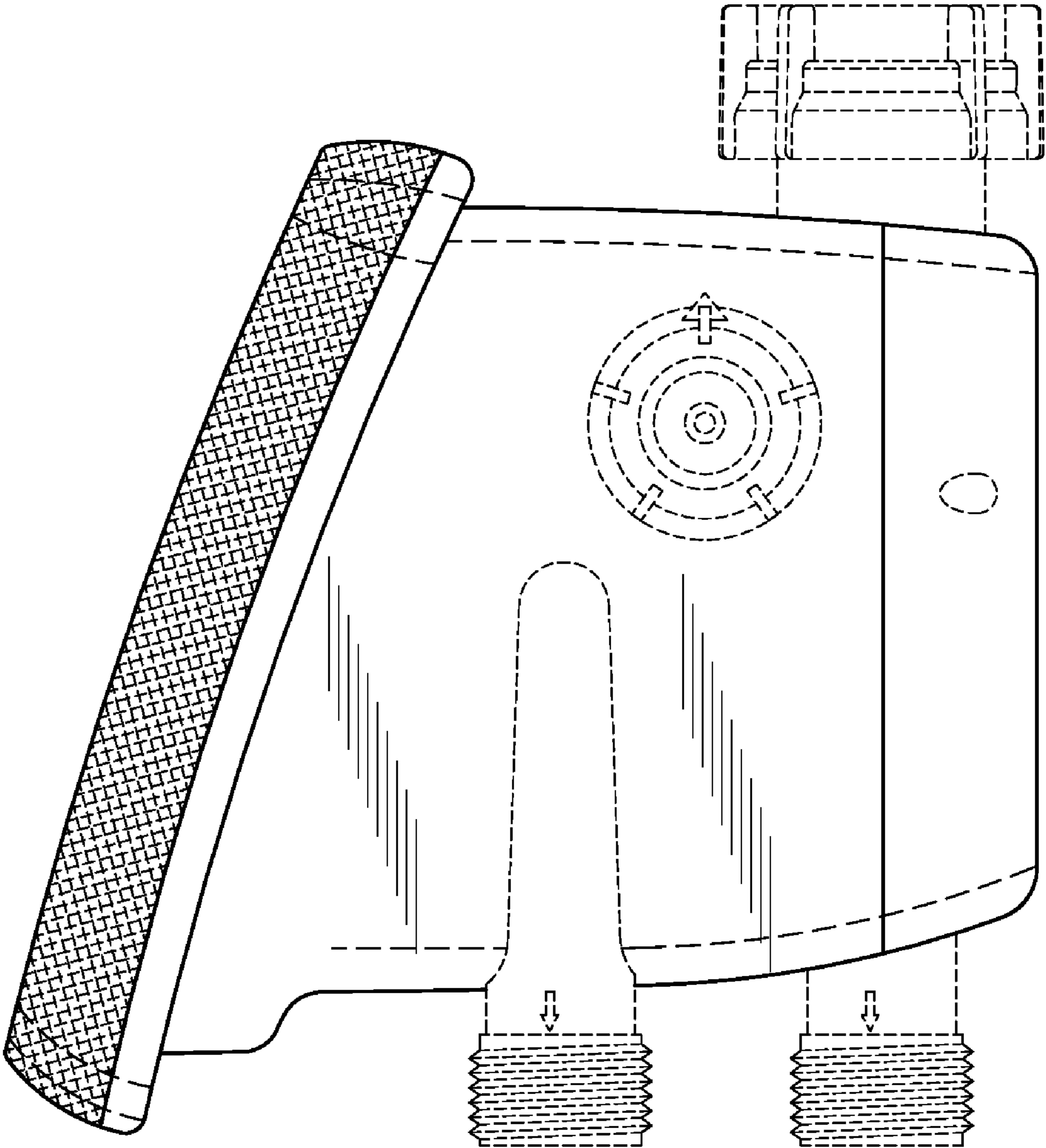


Fig. 2

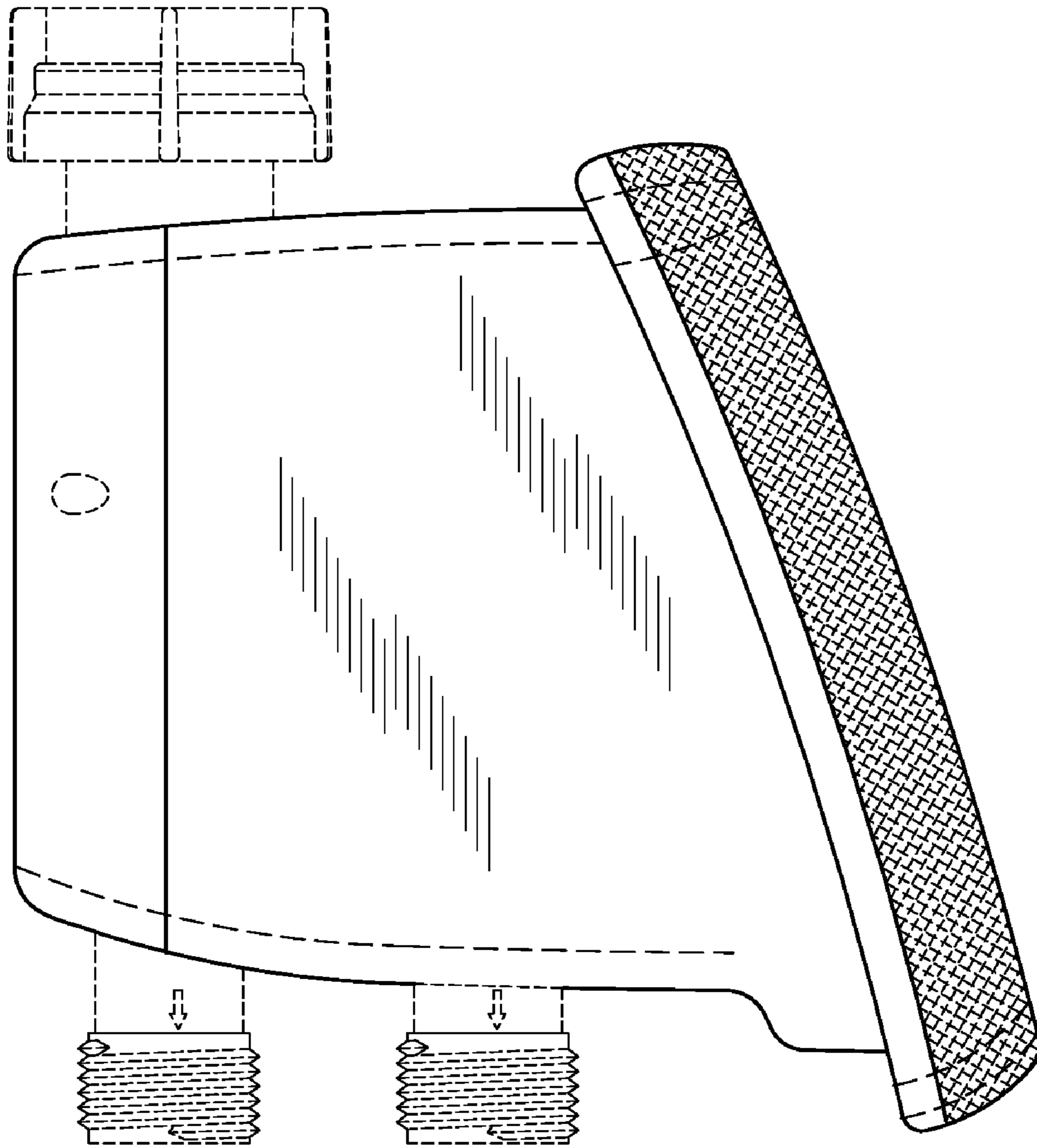


Fig. 3

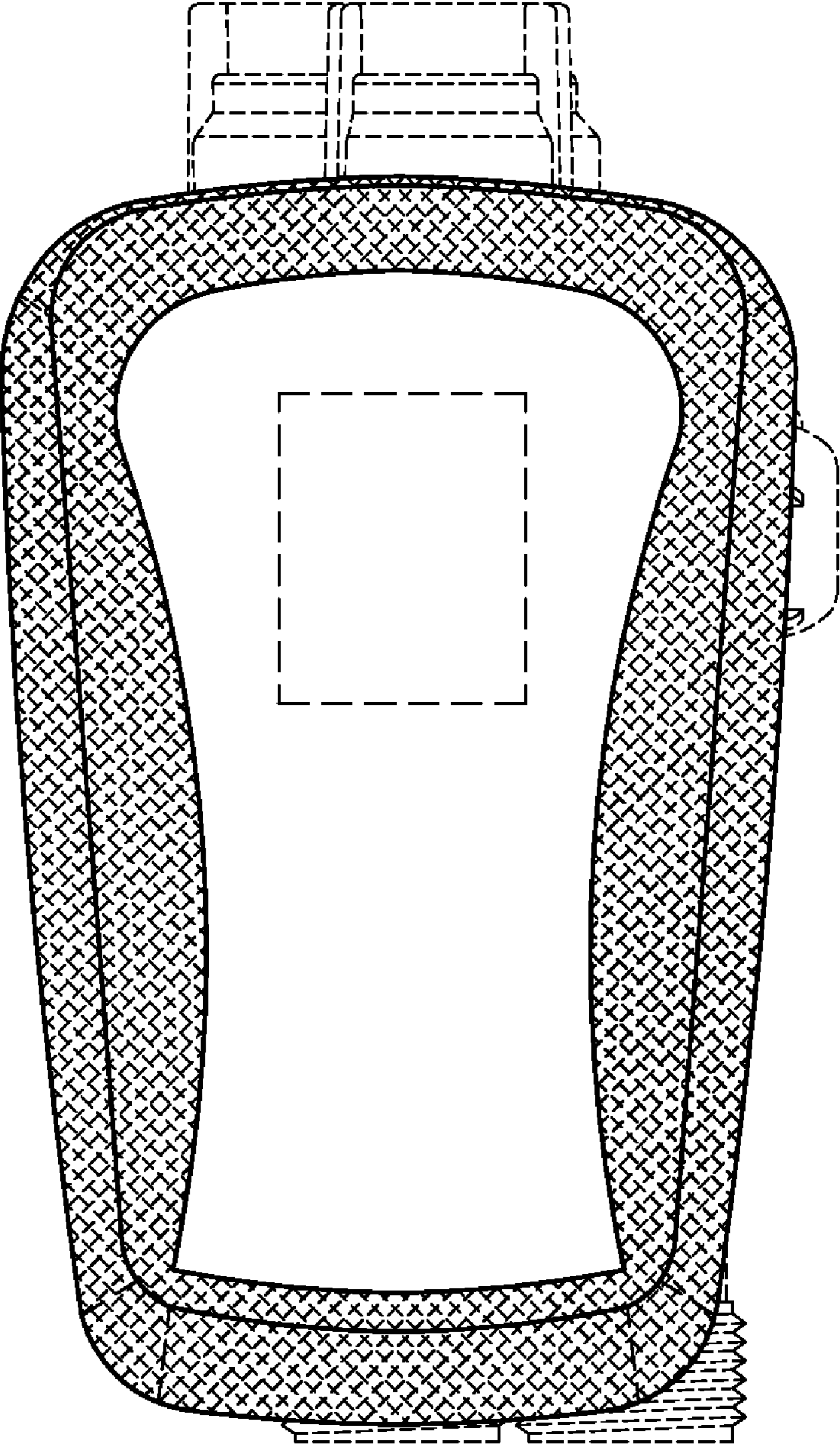


Fig. 4

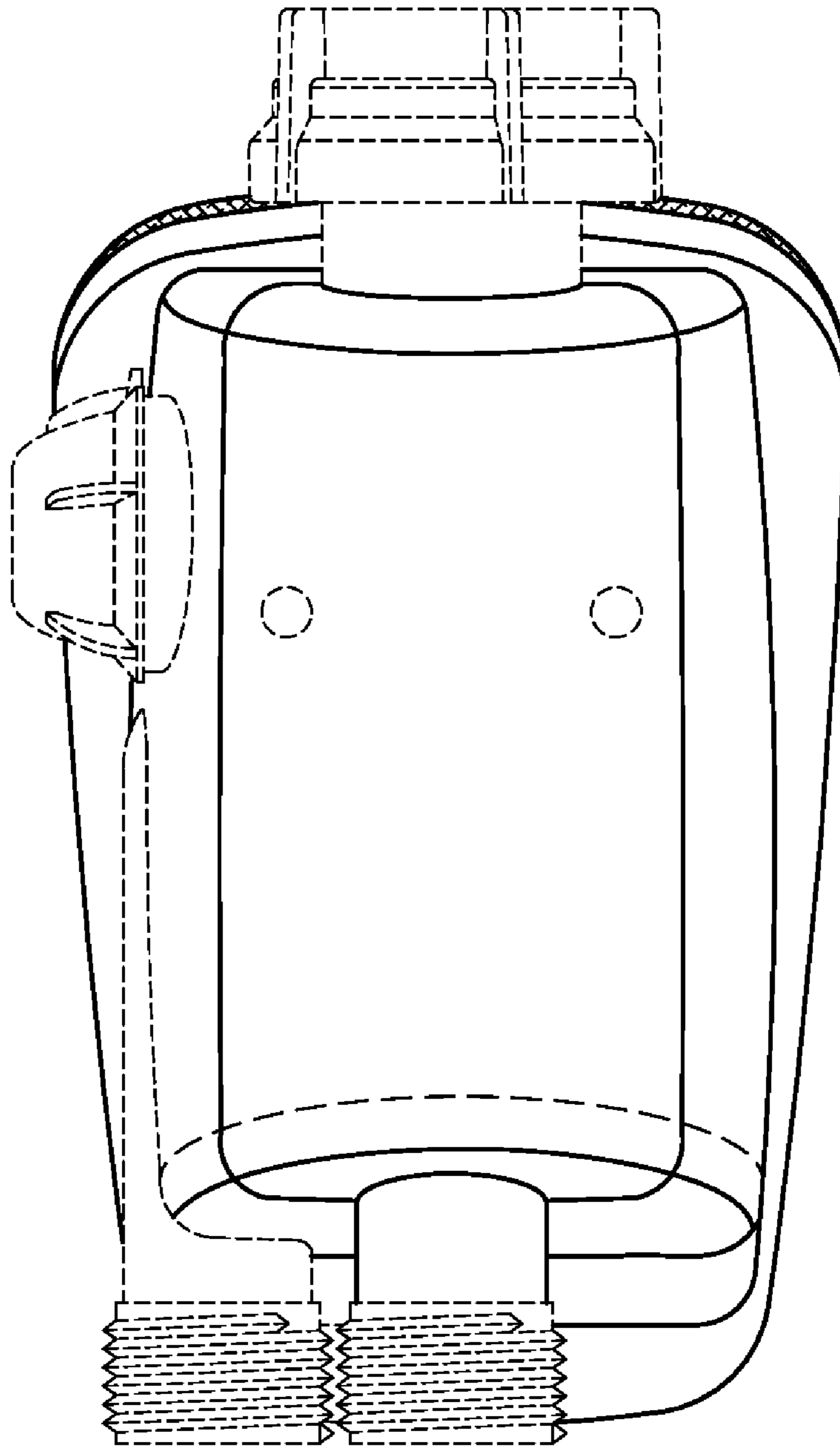


Fig. 5

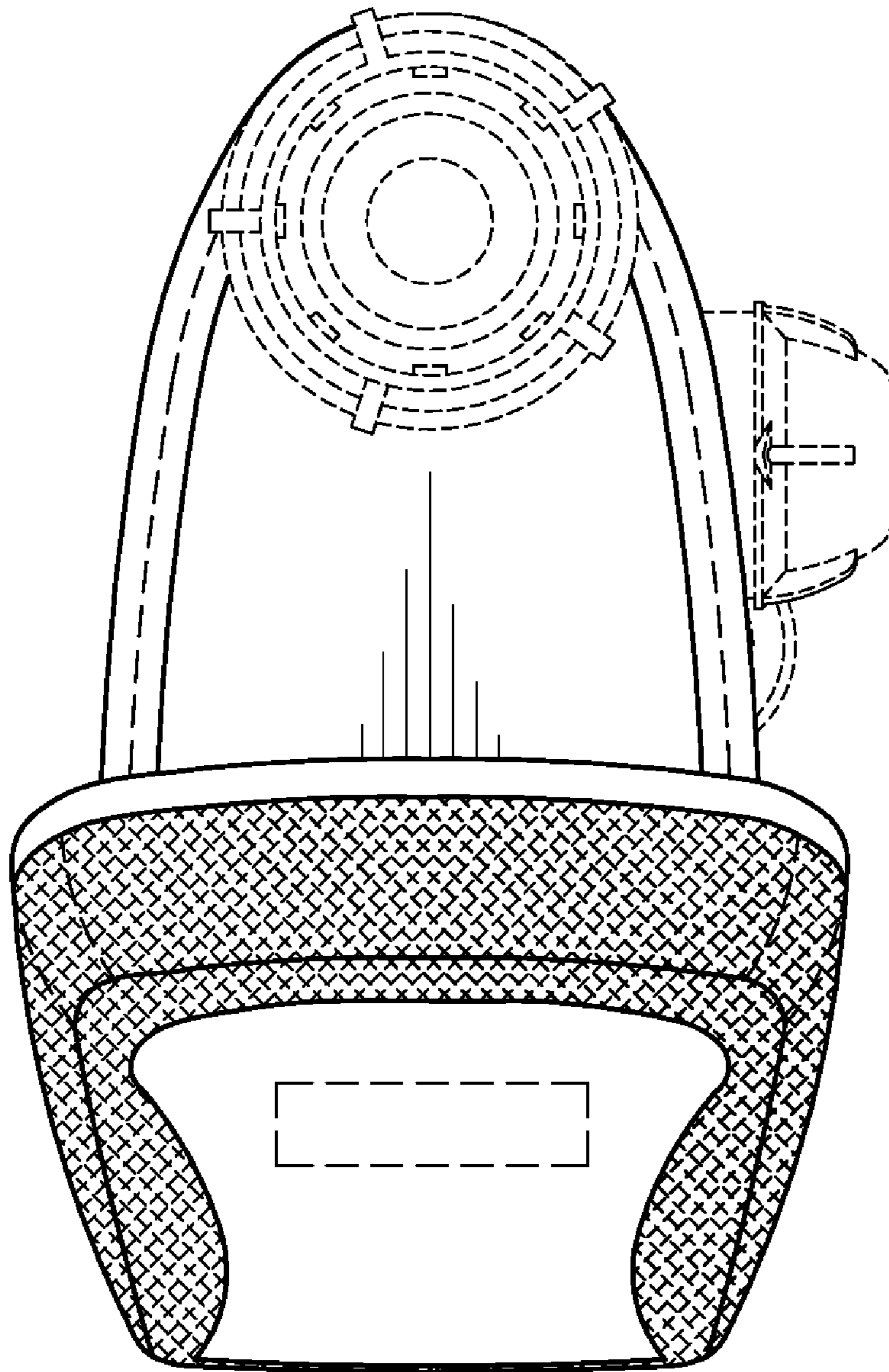


Fig. 6

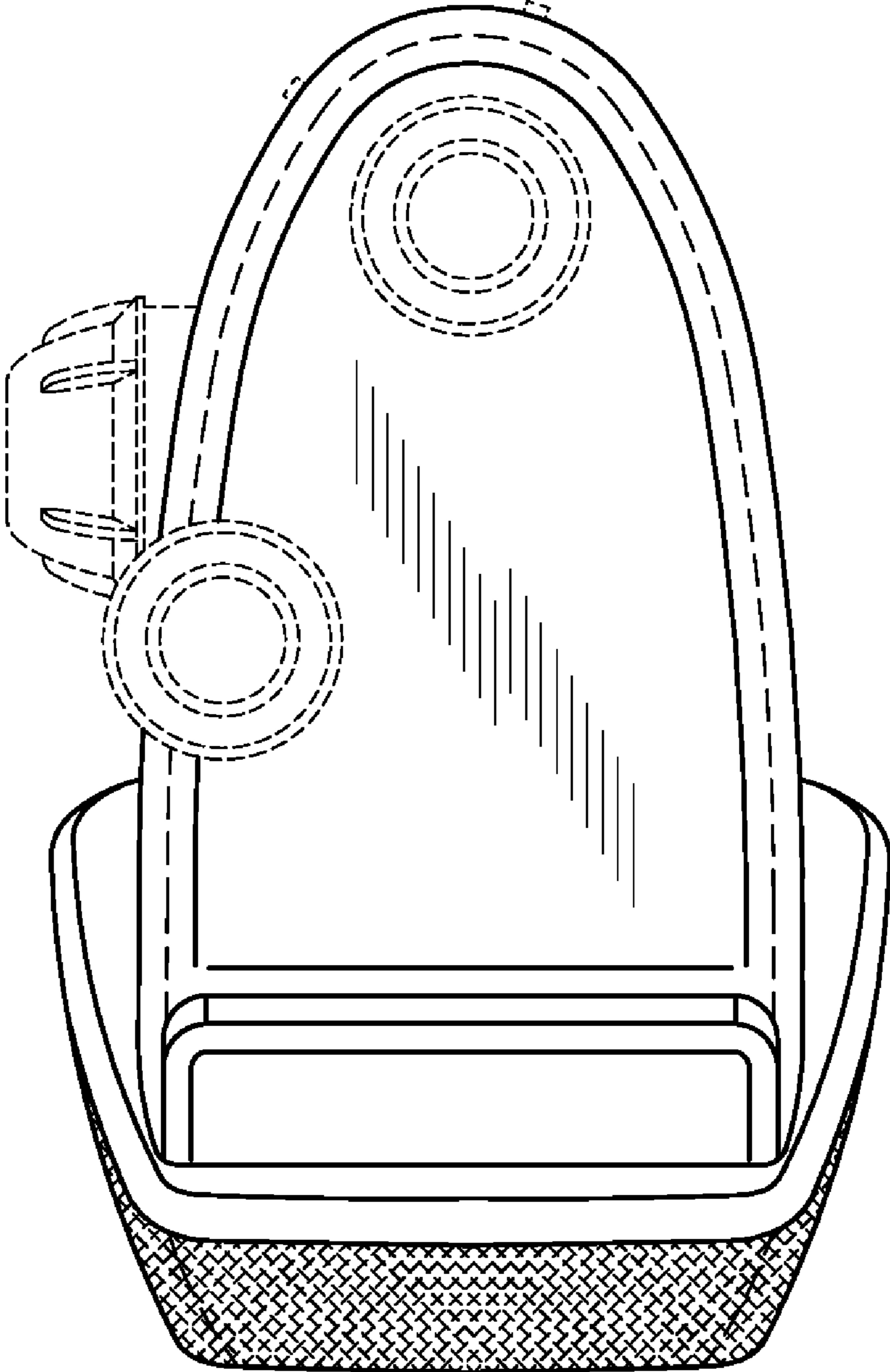


Fig. 7