



US00D604183S

(12) **United States Design Patent**  
**Zore et al.**

(10) **Patent No.:** **US D604,183 S**  
(45) **Date of Patent:** **\*\* Nov. 17, 2009**

(54) **WATER TIMER**

D567,680 S \* 4/2008 Michael et al. .... D10/40  
7,404,415 B2 \* 7/2008 Jacobs et al. .... 137/624.11

(75) Inventors: **William Francis Zore**, Friedens, PA  
(US); **Rick L. Leer**, Somerset, PA (US)

**OTHER PUBLICATIONS**

(73) Assignee: **Robert Bosch GmbH**, Stuttgart (DE)

Amazon.com website pages; published at least as early as Jun. 11, 2008 (10 pages).  
Doitbest.com website pages; published at least as early as Jun. 11, 2008 (3 pages).

(\*\*) Term: **14 Years**

\* cited by examiner

(21) Appl. No.: **29/326,708**

*Primary Examiner*—Lucy Lieberman

(22) Filed: **Oct. 23, 2008**

(74) *Attorney, Agent, or Firm*—Maginot, Moore & Beck

(51) **LOC (9) Cl.** ..... **10-03**

(57) **CLAIM**

(52) **U.S. Cl.** ..... **D10/40**

(58) **Field of Classification Search** ..... D10/40;  
D23/245; 137/624.11, 624.12, 624.18, 624.22,  
137/624.21; 239/68, 69, 70

The ornamental design for a water timer, as shown and described.

See application file for complete search history.

**DESCRIPTION**

(56) **References Cited**

FIG. 1 is a perspective view of a water timer showing our new design;

**U.S. PATENT DOCUMENTS**

FIG. 2 is a left side elevational view showing the design for the water timer of FIG. 1;

D171,993	S	*	4/1954	Wilson	.....	D23/245
D191,294	S	*	9/1961	Charnota	.....	D23/246
D196,603	S	*	10/1963	Beinert	.....	D23/245
D263,069	S	*	2/1982	Chow et al.	.....	D23/245
4,335,852	A	*	6/1982	Chow	.....	239/68
4,351,360	A	*	9/1982	Smyth	.....	137/624.12
D281,808	S	*	12/1985	Lemkin et al.	.....	D23/245
4,562,865	A	*	1/1986	Lemkin et al.	.....	137/624.12
4,592,505	A	*	6/1986	Bruninga et al.	.....	239/69
4,708,264	A	*	11/1987	Bruninga	.....	222/20
D298,962	S	*	12/1988	Bruninga	.....	D23/245
D309,175	S	*	7/1990	Hastings et al.	.....	D23/245
5,033,509	A	*	7/1991	Tsai	.....	137/624.2
5,050,772	A	*	9/1991	Brane et al.	.....	222/20
5,082,022	A	*	1/1992	Bouandy	.....	137/624.12
D336,945	S	*	6/1993	Tsai	.....	D23/213
D386,985	S	*	12/1997	Cameron	.....	D10/40
6,398,185	B1	*	6/2002	Wang	.....	251/249
6,986,364	B1	*	1/2006	Wang	.....	137/624.11
7,252,113	B2	*	8/2007	Jacobs et al.	.....	137/624.11

FIG. 3 is a right side elevation view showing the design for the water timer of FIG. 1;

FIG. 4 is a front elevational view showing the design for the water timer of FIG. 1;

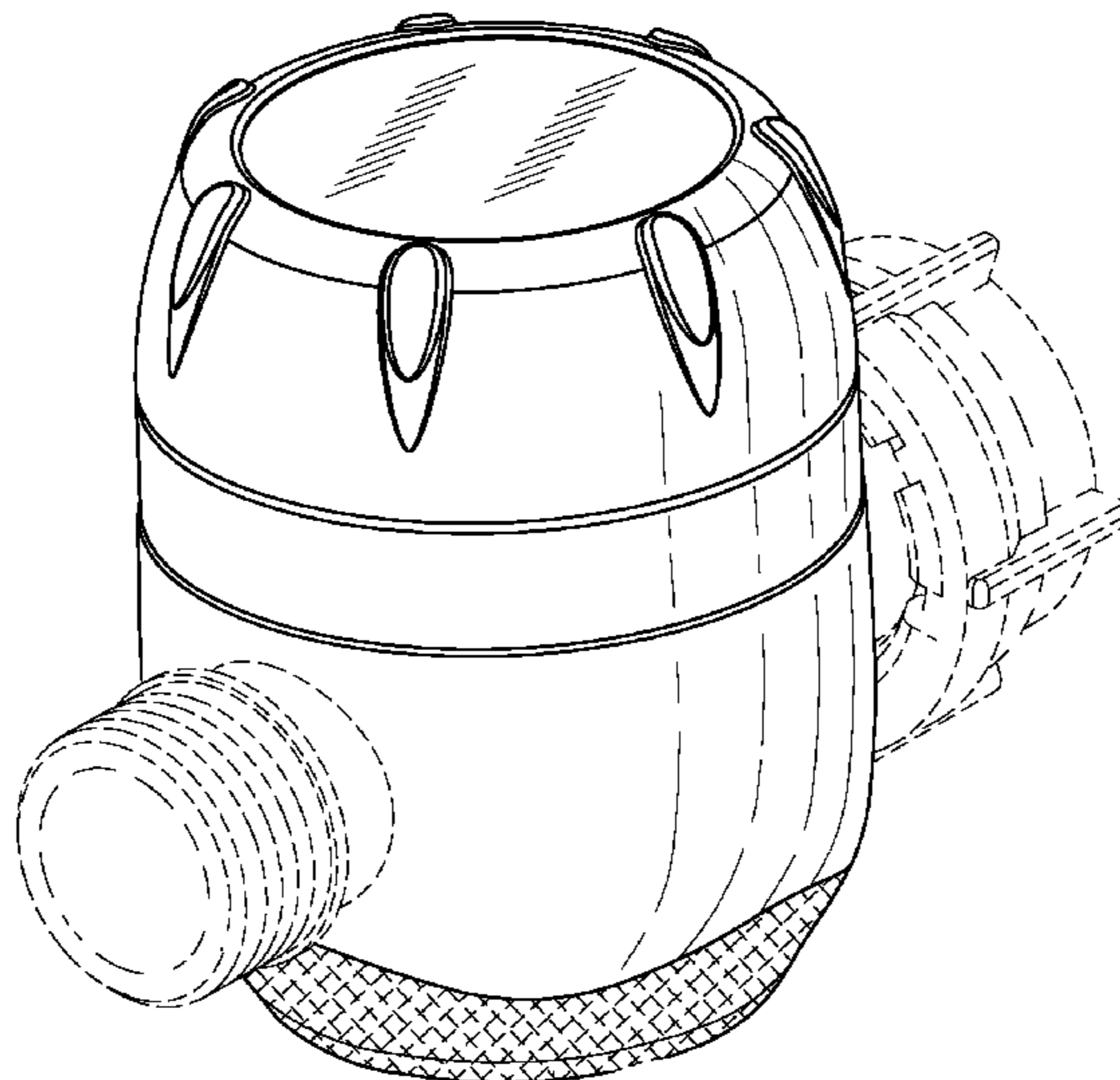
FIG. 5 is a rear elevational view showing the design for the water timer of FIG. 1;

FIG. 6 is a top plan view showing the design for the water timer of FIG. 1; and,

FIG. 7 is a bottom plan view showing the design for the water time of FIG. 1.

The broken line showing of portions of the water timer including the diamond pattern on the bottom portion of the timer is included for illustrative purposes only and forms no part of the claimed design.

**1 Claim, 7 Drawing Sheets**



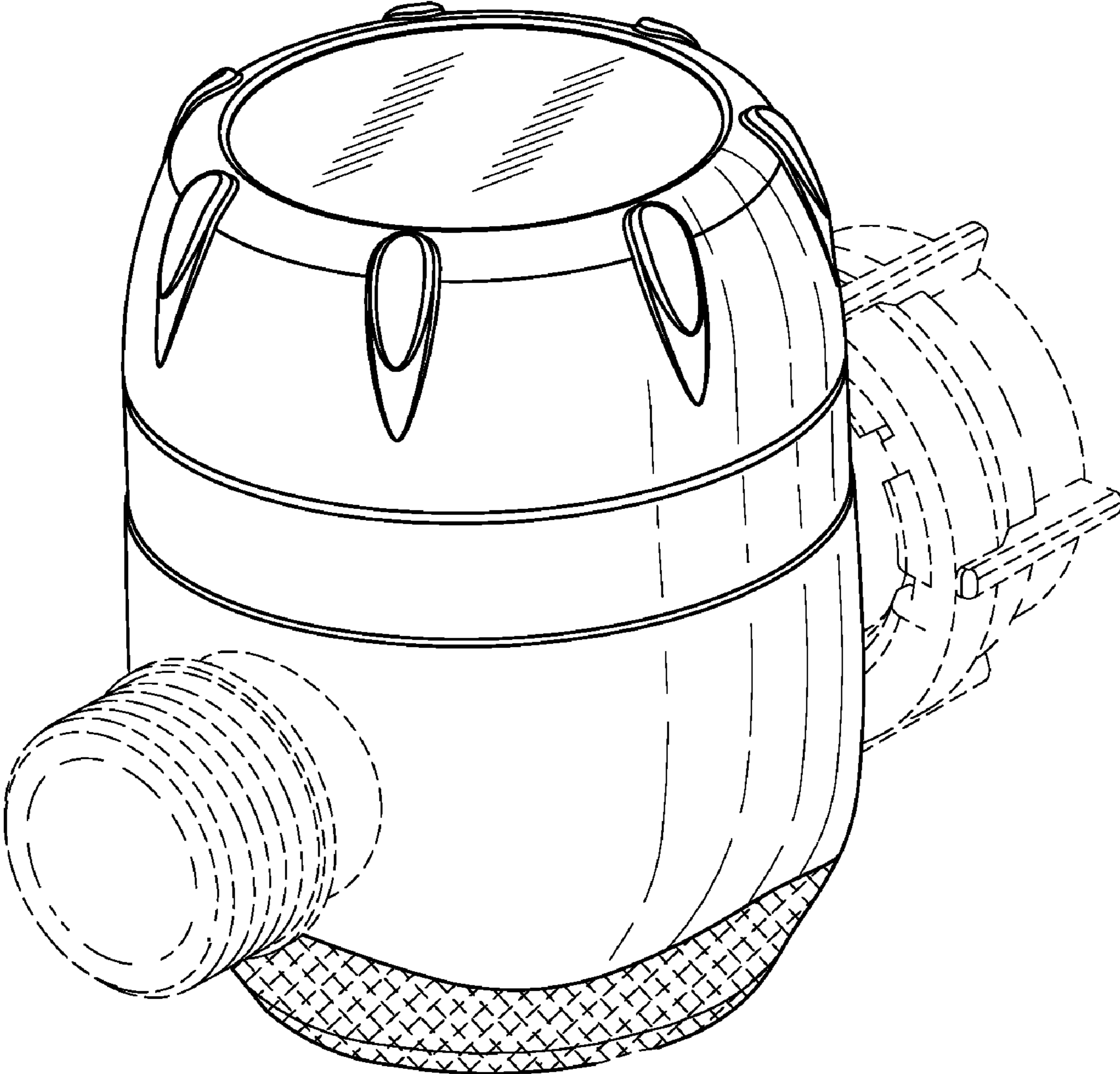


Fig. 1

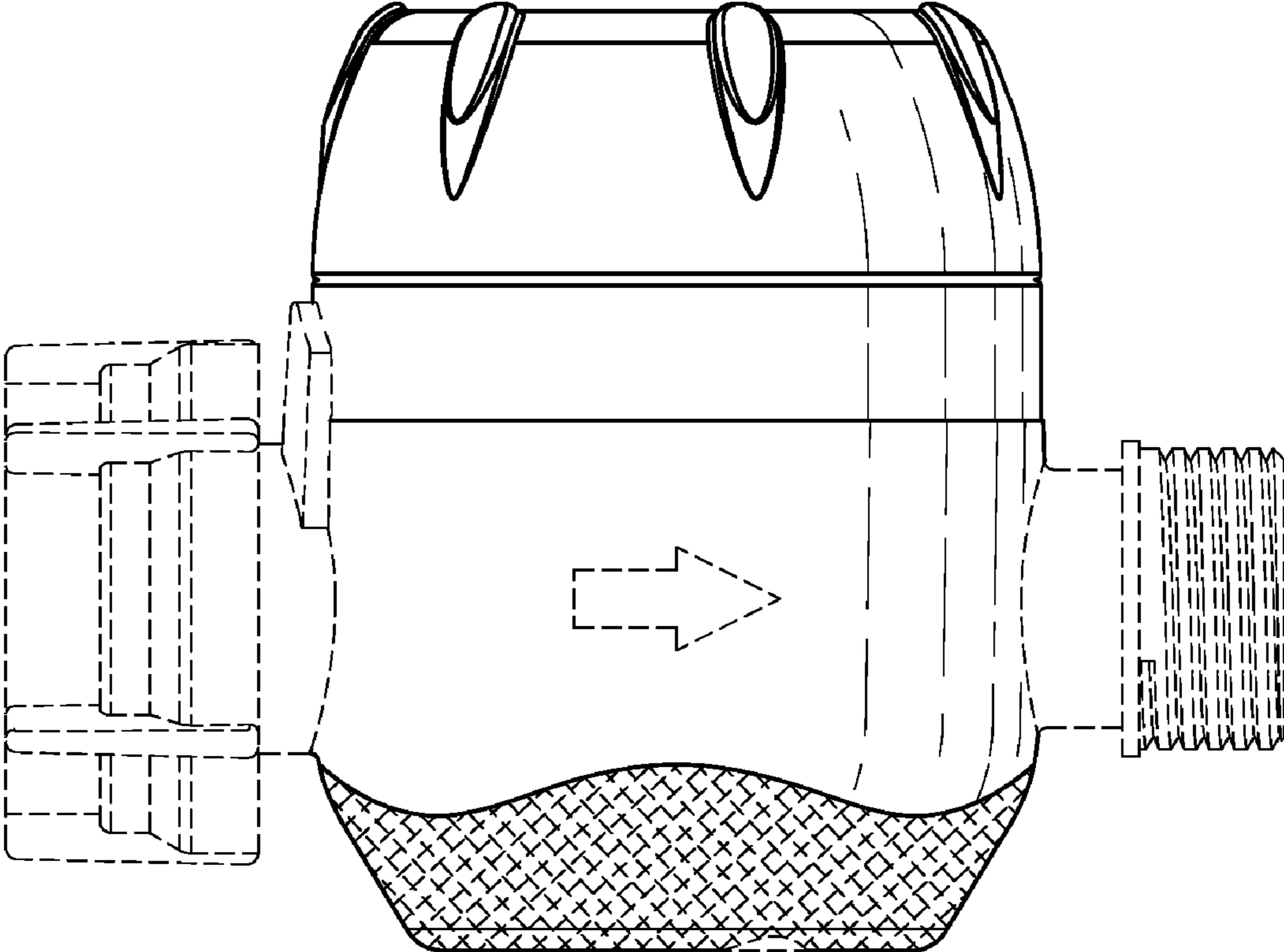


Fig. 2

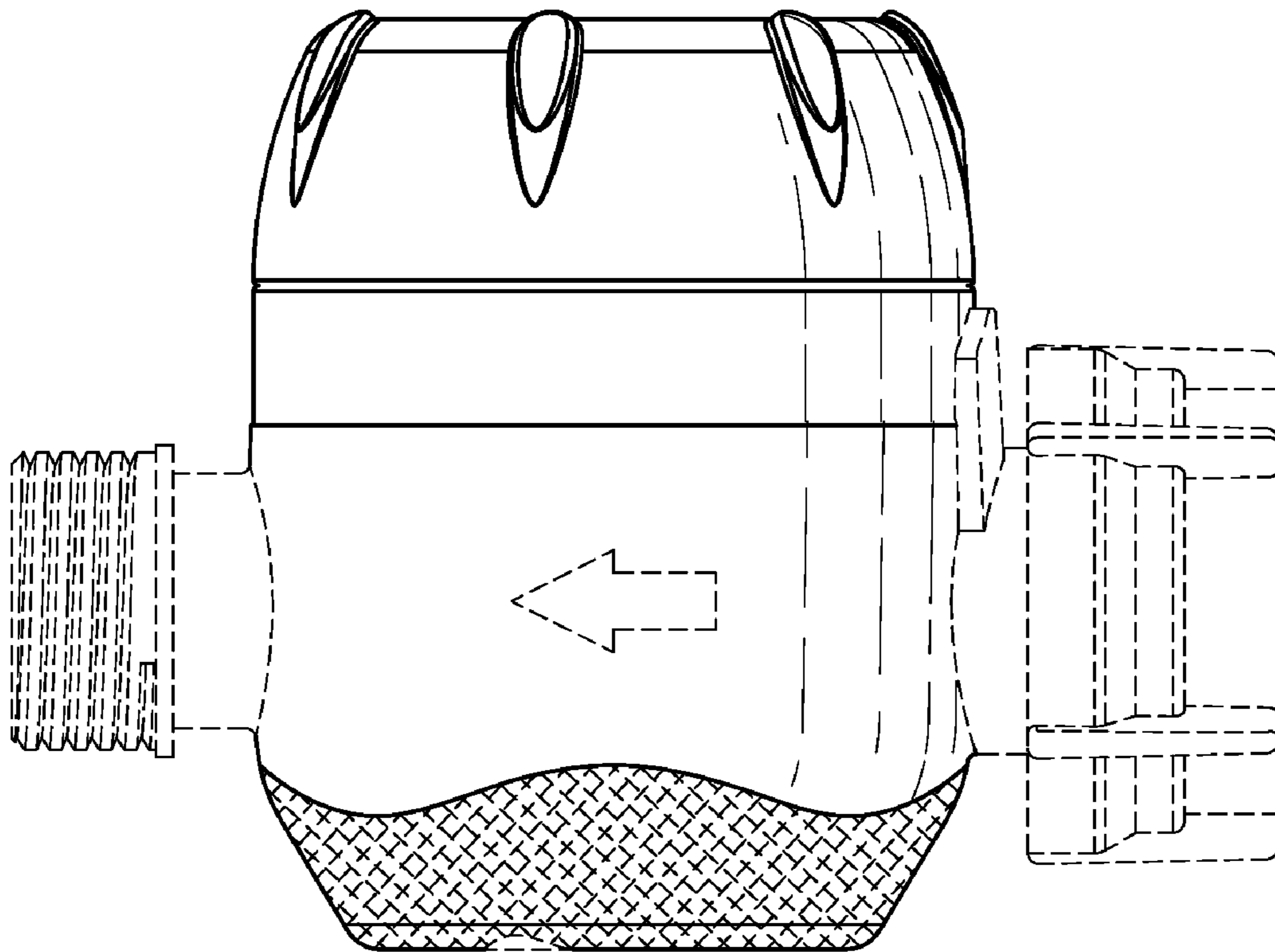


Fig. 3



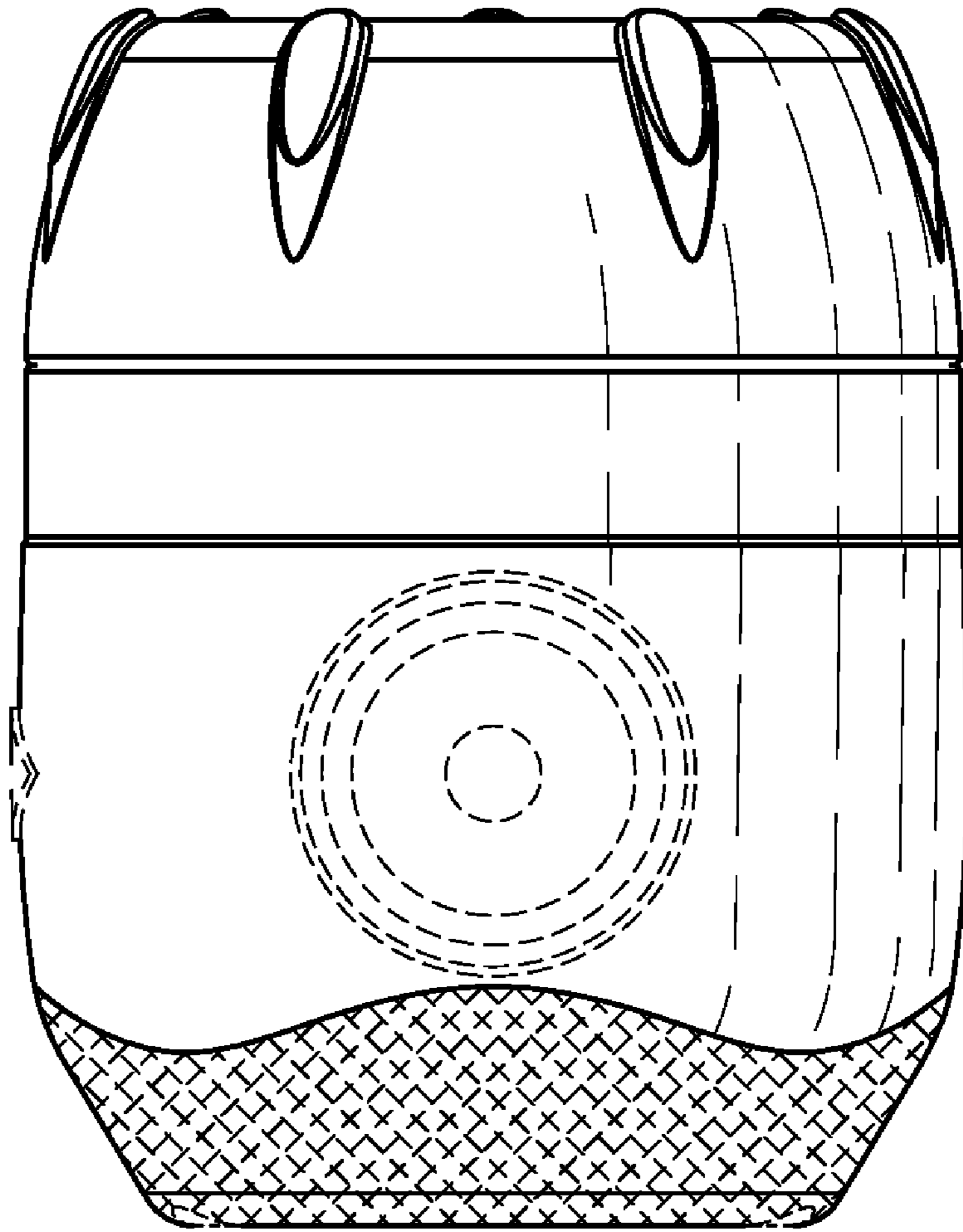


Fig. 4

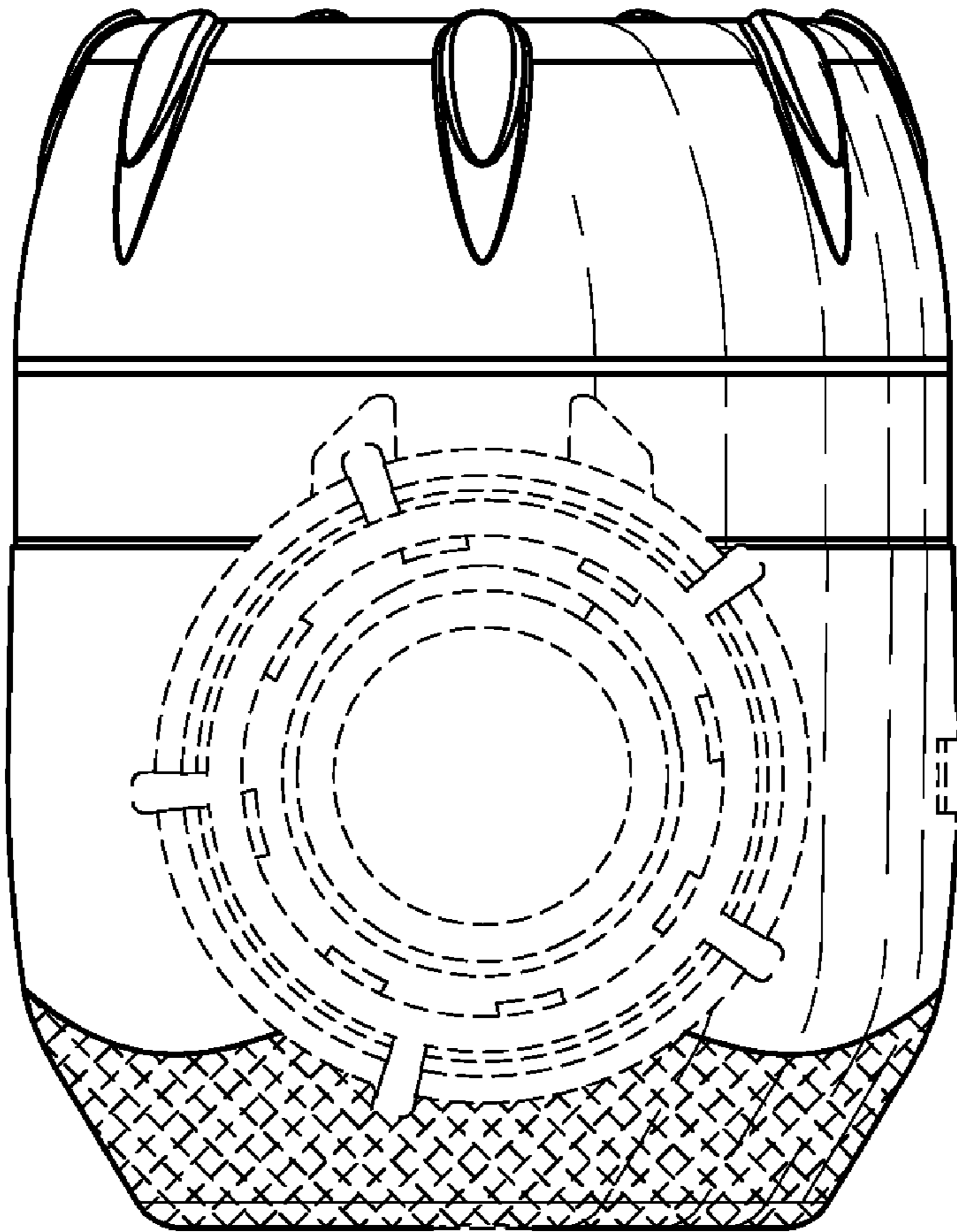


Fig. 5

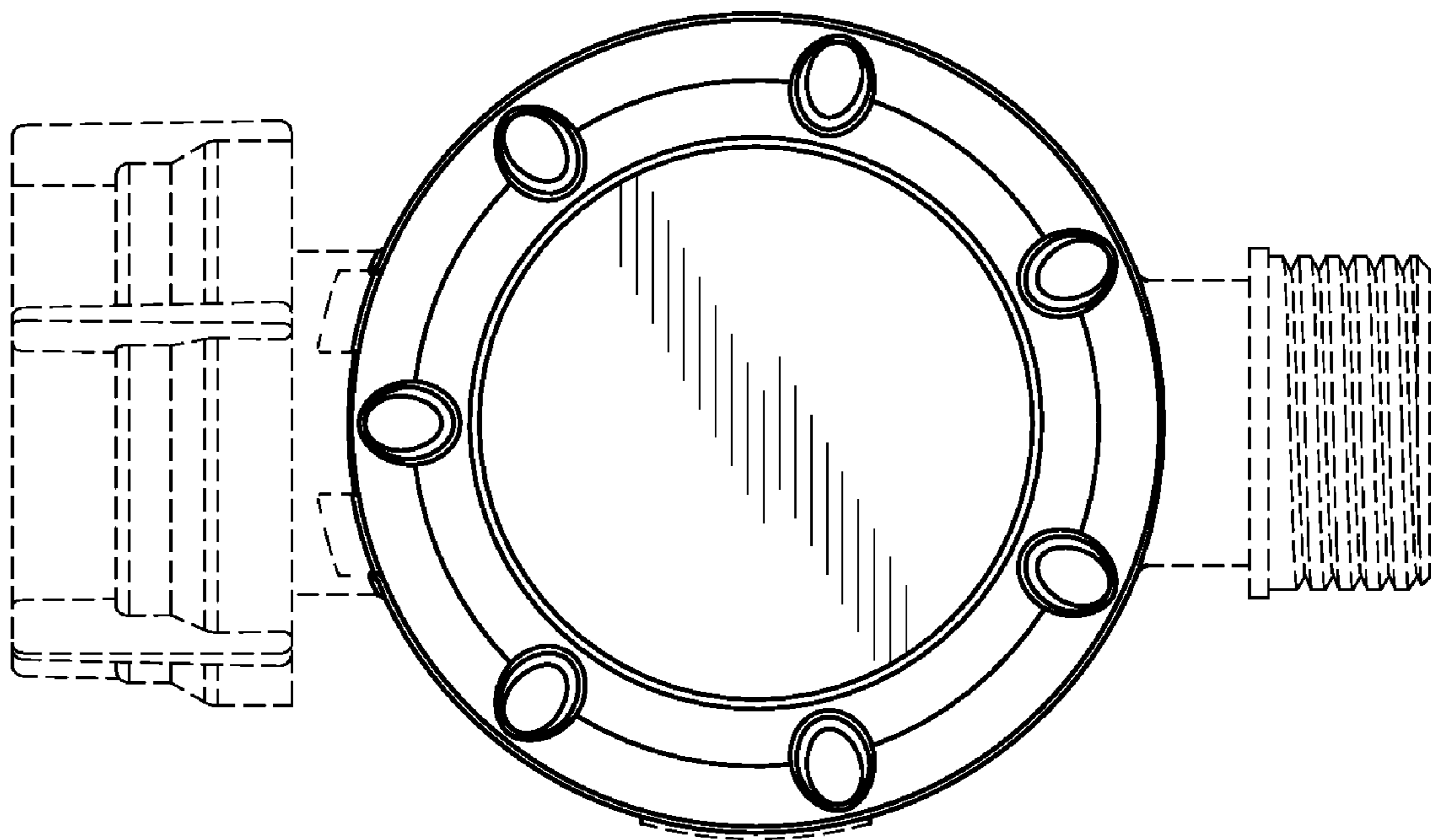


Fig. 6

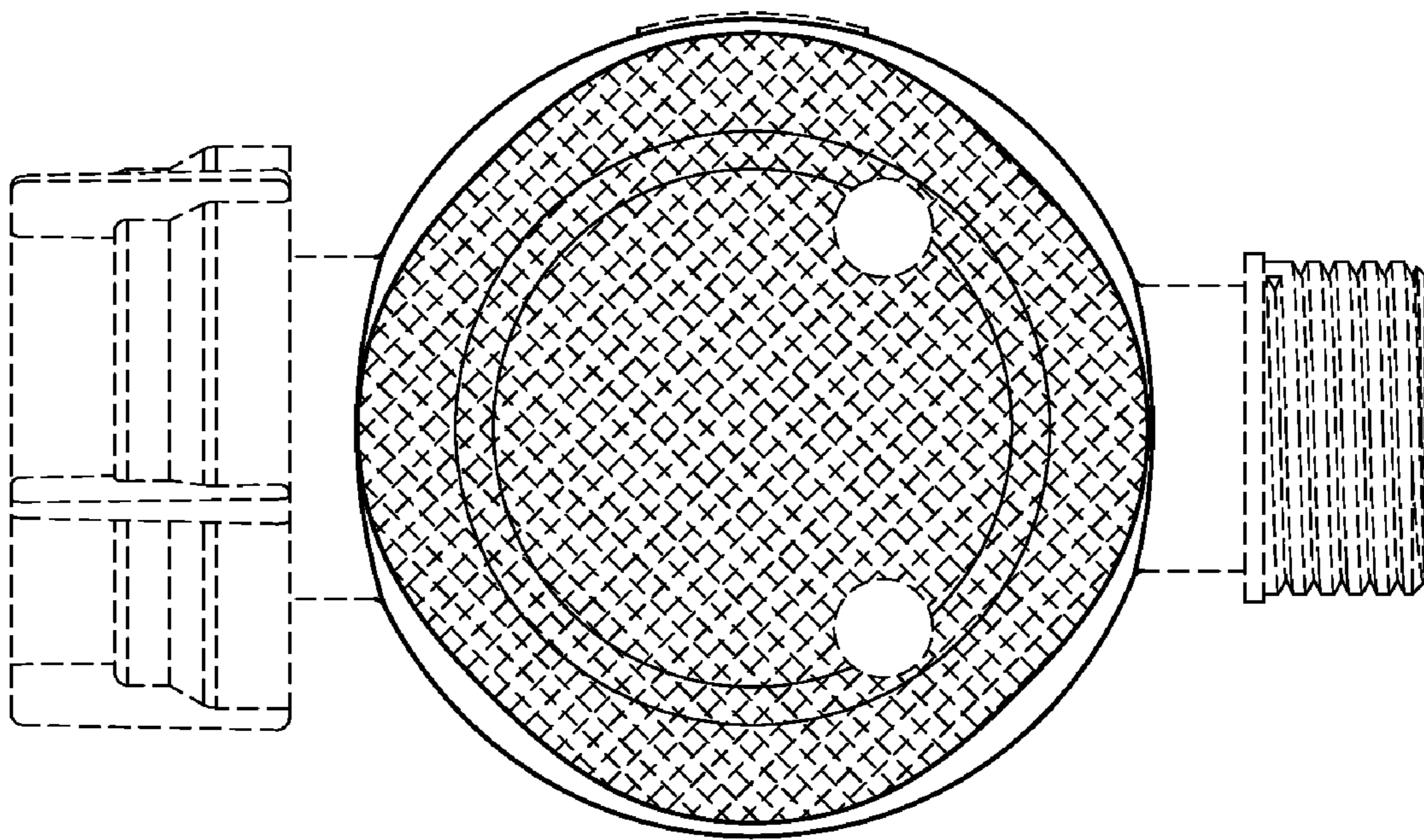


Fig. 7