



US00D604176S

(12) **United States Design Patent**  
**Toefferl et al.**

(10) **Patent No.:** **US D604,176 S**

(45) **Date of Patent:** **\*\* Nov. 17, 2009**

(54) **TOOTHPASTE TUBE**

(75) Inventors: **Walter Toefferl**, Wr. Neustadt (AT);  
**Waldemar Lukas Festenburg**, Vienna  
(AT); **Reinfried Alexander Schultschik**,  
Vienna (AT)

(73) Assignee: **Implantline GmbH**, Wr. Neustadt (AT)

(\*\*) Term: **14 Years**

(21) Appl. No.: **29/309,703**

(22) Filed: **Sep. 26, 2008**

(30) **Foreign Application Priority Data**

Mar. 27, 2008 (EM) ..... 000904578-0001

(51) **LOC (9) Cl.** ..... **09-01**

(52) **U.S. Cl.** ..... **D9/624; D3/271.3; D9/692**

(58) **Field of Classification Search** ..... D3/270–271.1,  
D3/271.3; D9/600, 601, 614, 624, 688–692,  
D9/516, 556–557; 206/457, 458, 527; 220/890  
See application file for complete search history.

(56) **References Cited**

**U.S. PATENT DOCUMENTS**

D341,774 S \* 11/1993 Felz ..... D3/271.3  
D346,550 S \* 5/1994 Terrell ..... D9/624  
D380,376 S \* 7/1997 Reinhardt ..... D9/624  
D398,225 S \* 9/1998 Zaksenberg ..... D9/601  
D459,985 S \* 7/2002 Davis ..... D9/624  
D584,051 S \* 1/2009 Patascher ..... D3/271.3

**OTHER PUBLICATIONS**

Avon Products Inc. Brochure, Campaign #27 CB-0902-1, 1976. p.  
48, Bolt After Shave bottle.\*

\* cited by examiner

*Primary Examiner*—Sandra Morris

(74) *Attorney, Agent, or Firm*—Jacobson Holman PLLC

(57) **CLAIM**

The ornamental design for a toothpaste tube, as shown and  
described.

**DESCRIPTION**

FIG. 1 is a perspective front view showing our new design for  
a toothpaste tube,

FIG. 2 is a left side view thereof, with cap closed,

FIG. 3 is a right side view thereof, with cap closed,

FIG. 4 is a top view thereof, with cap closed,

FIG. 5 is a bottom view thereof, with cap closed,

FIG. 6 is a front view thereof, with cap closed,

FIG. 7 is a rear view thereof, with cap closed,

FIG. 8 is a left view thereof, with cap removed,

FIG. 9 is a right view thereof, with cap removed,

FIG. 10 is a top view thereof, with cap removed.

FIG. 11 is a bottom view thereof, with cap removed,

FIG. 12 is a front view thereof, with cap removed, and,

FIG. 13 is a rear view thereof, with cap removed.

**1 Claim, 7 Drawing Sheets**

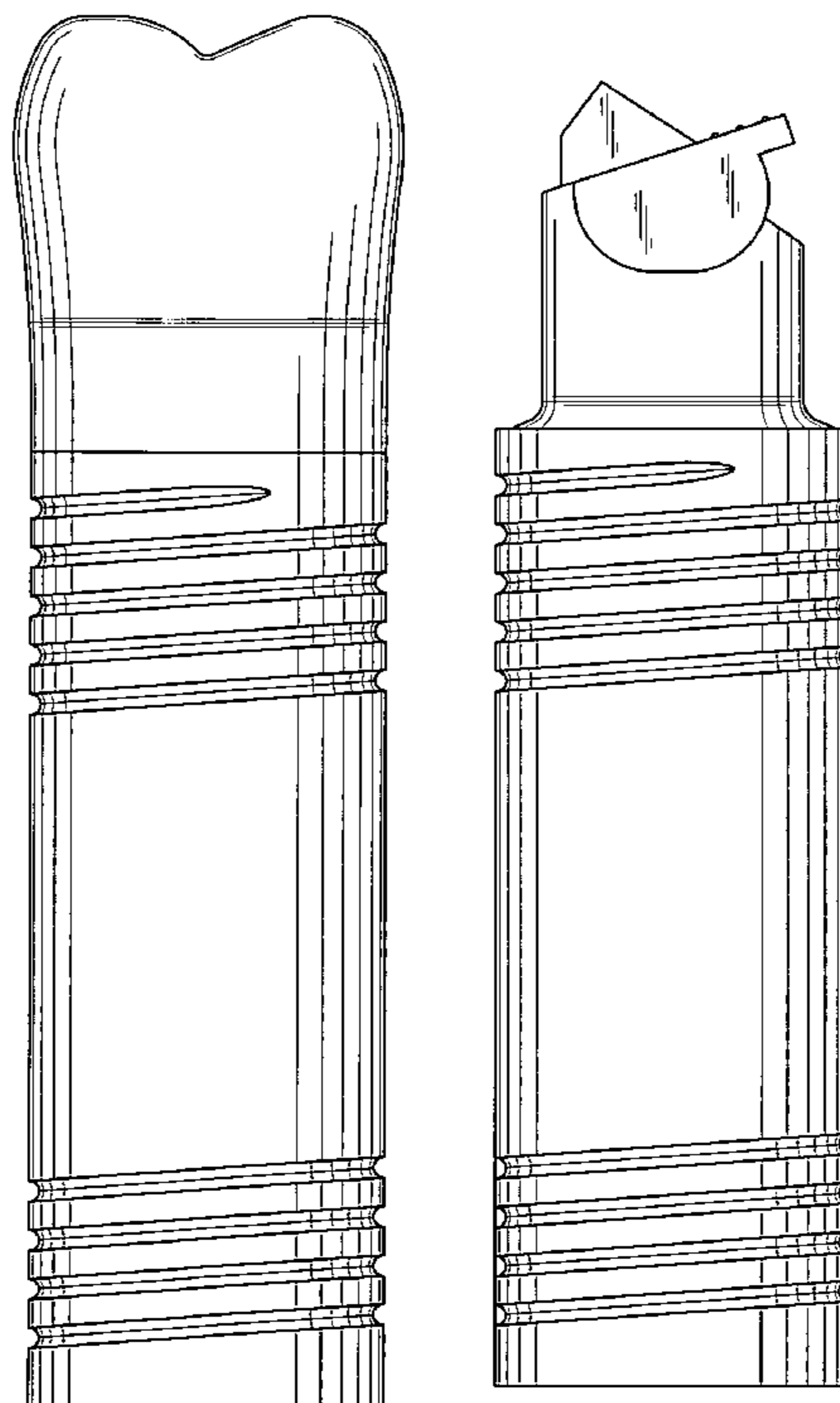


FIG. 1

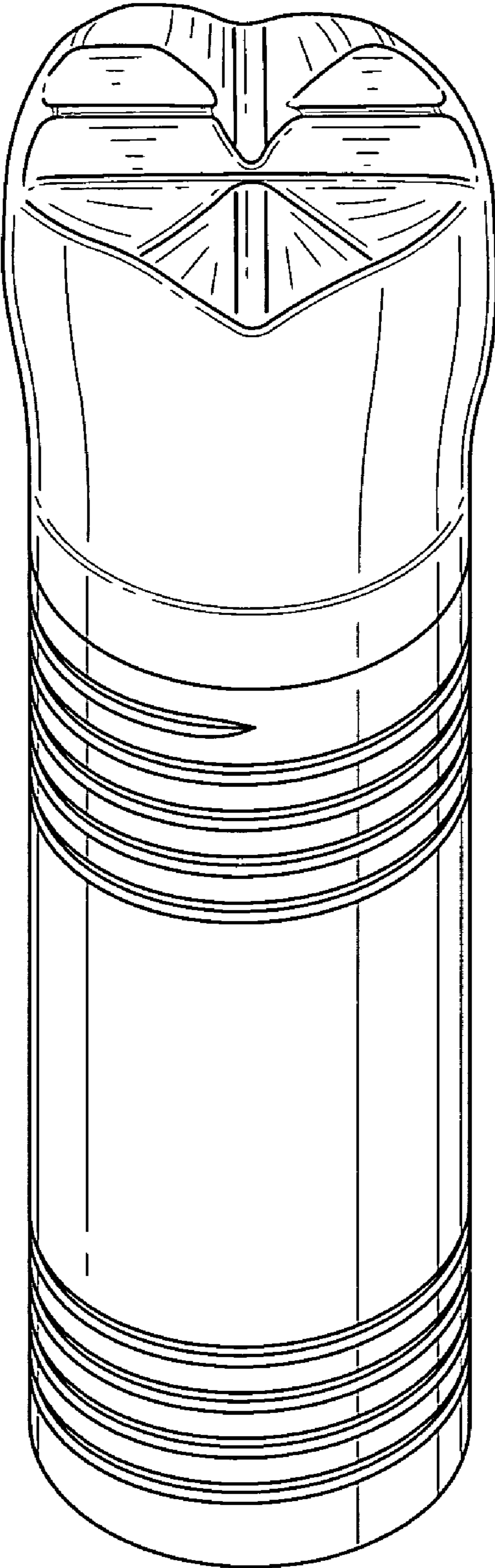


FIG. 2

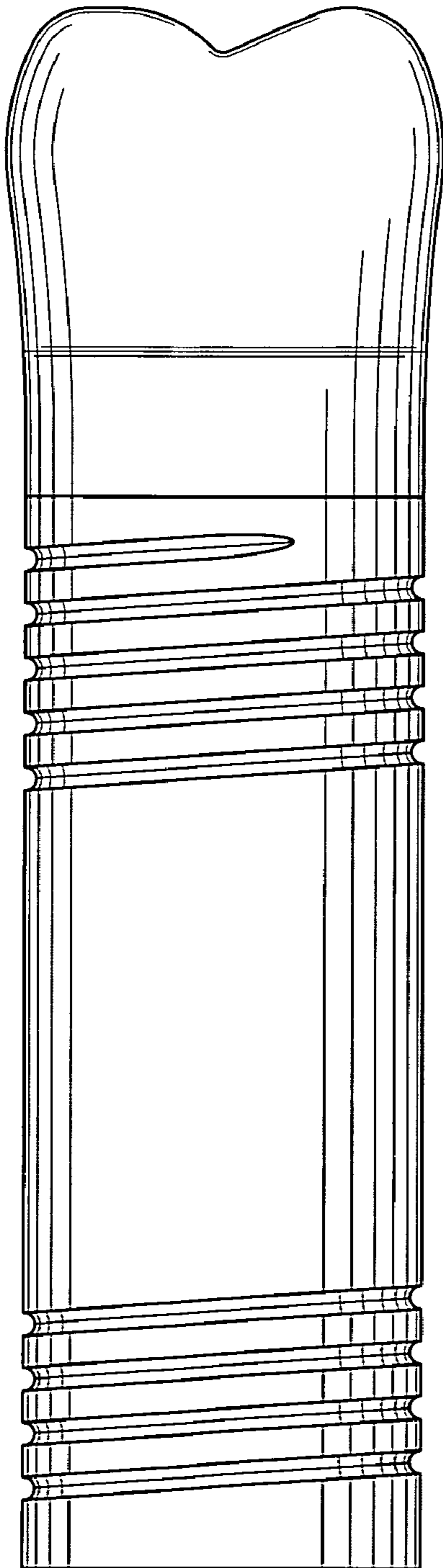
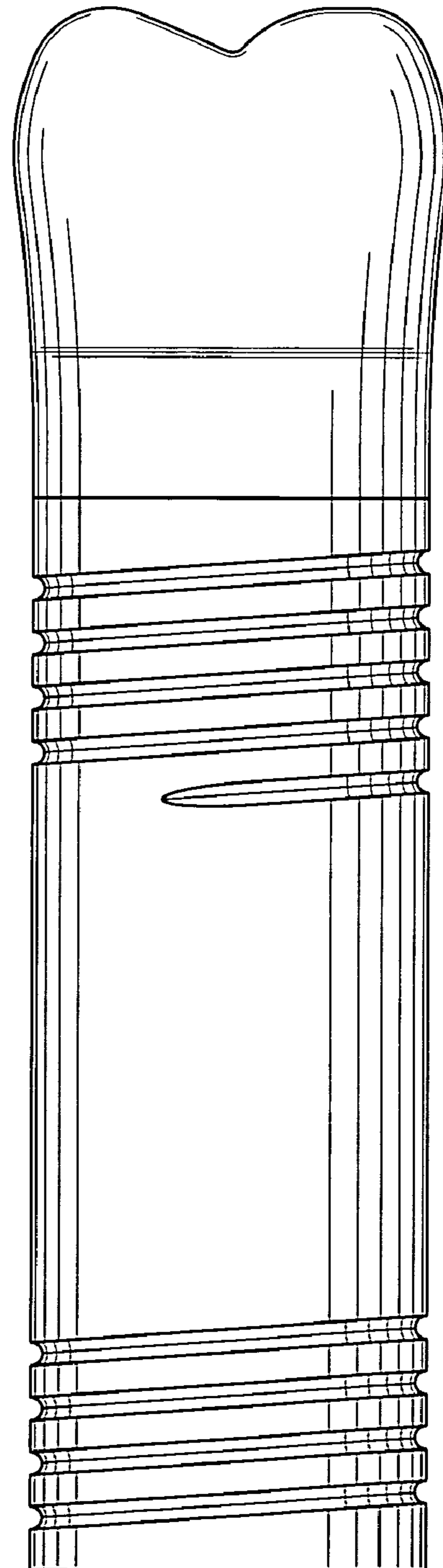
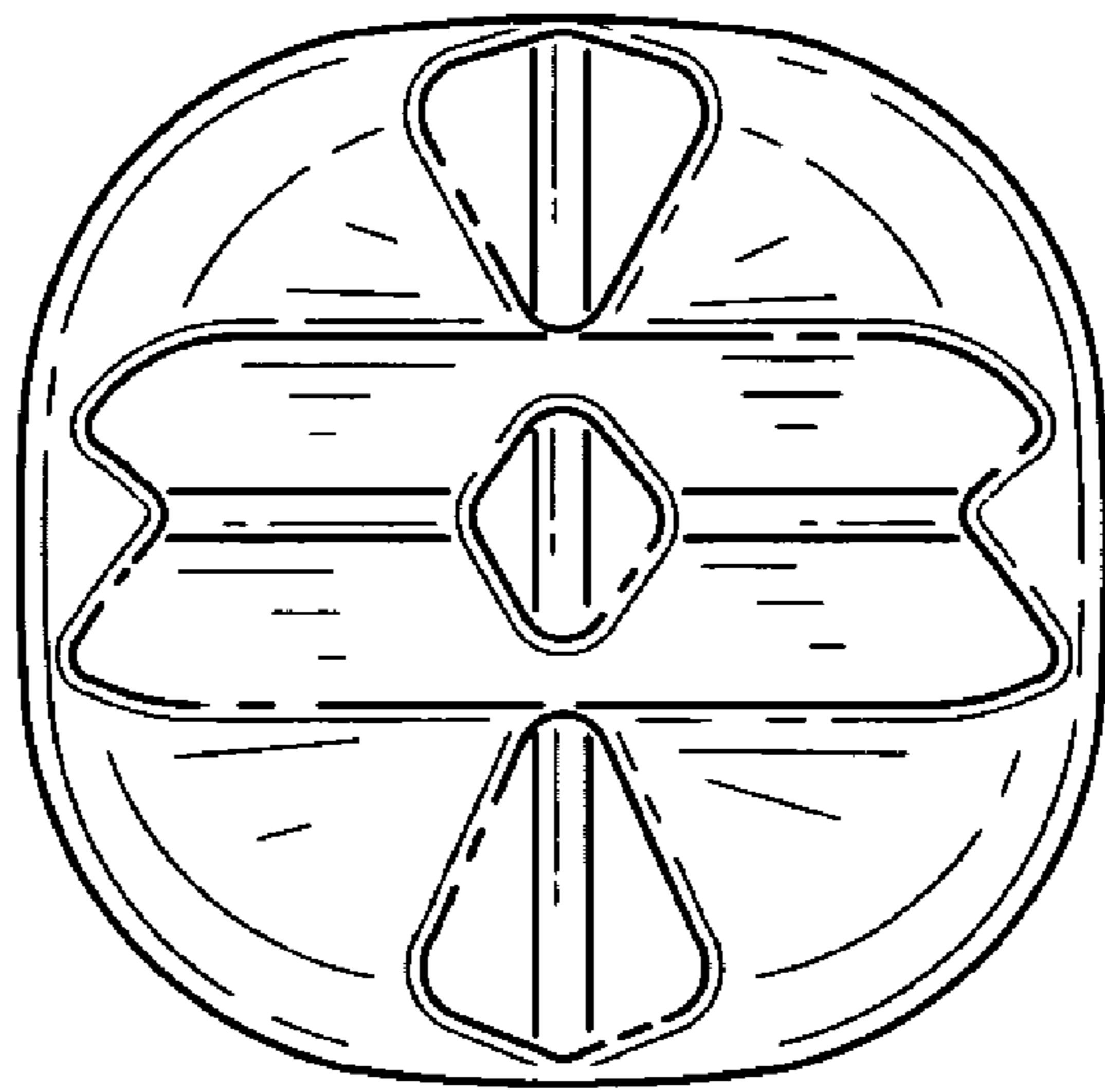


FIG. 3



**FIG. 4**



**FIG. 5**

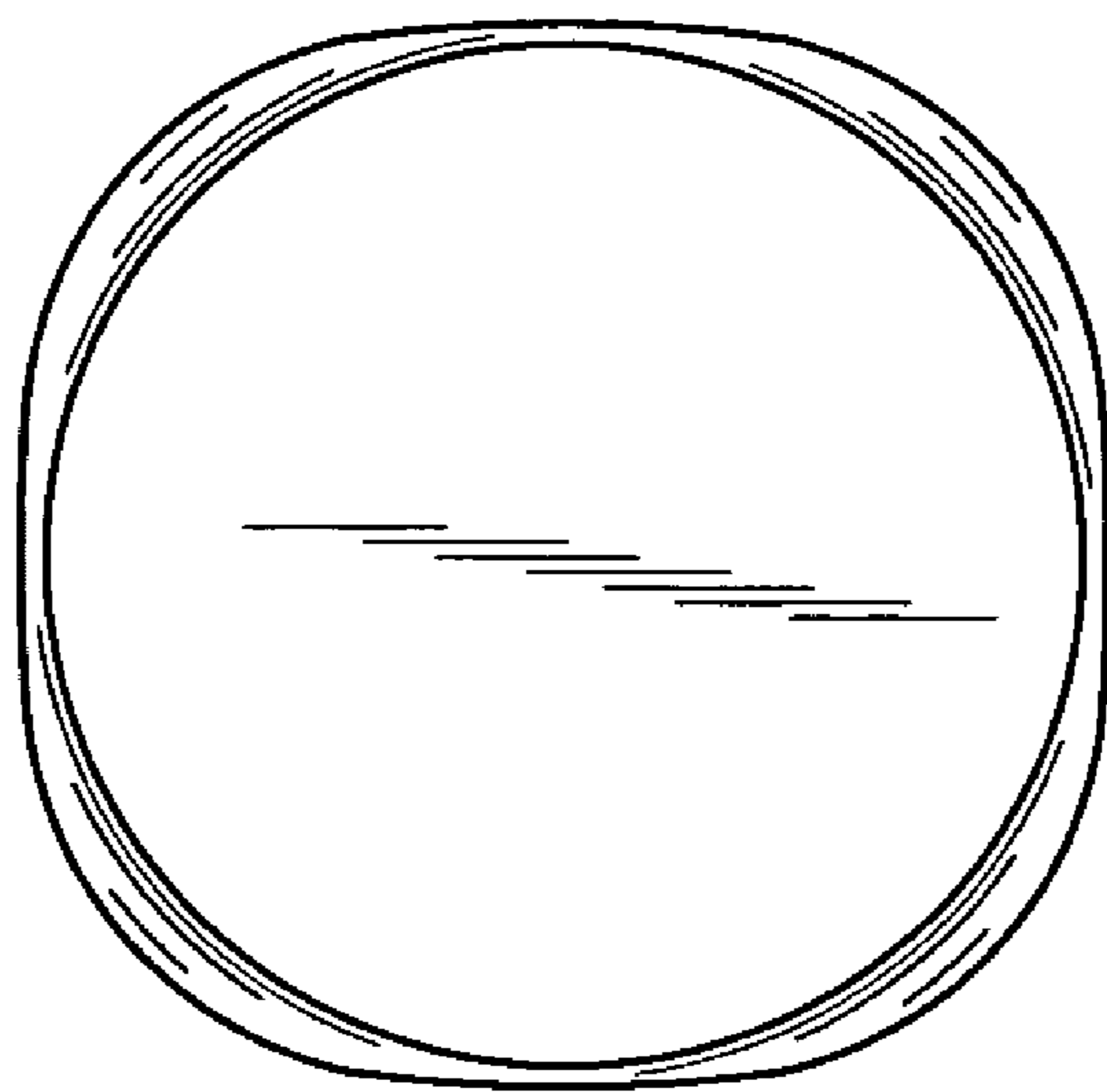


FIG. 6

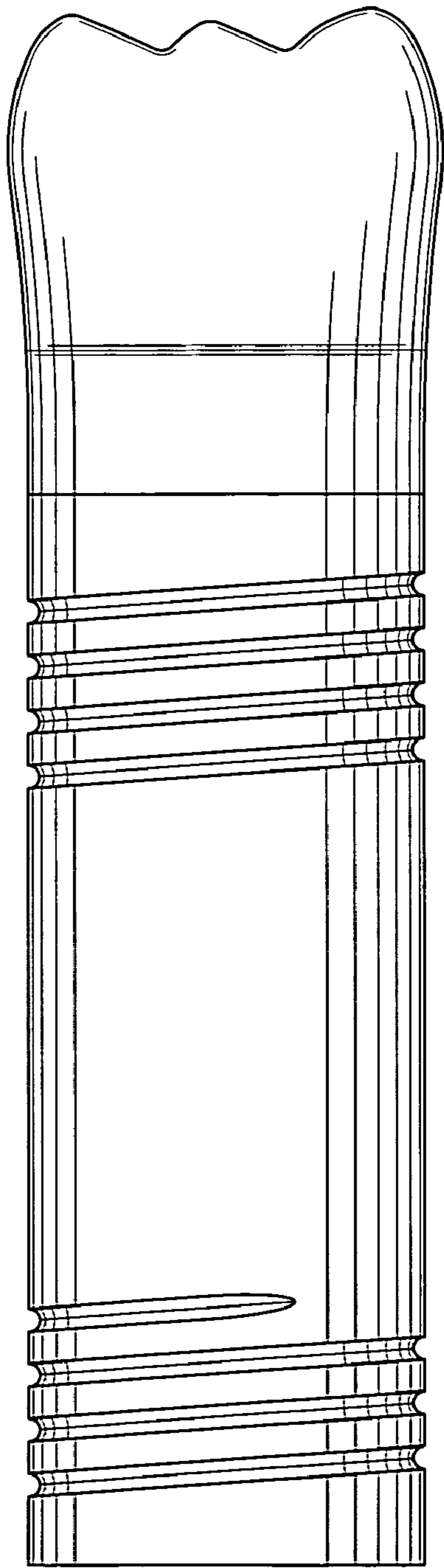


FIG. 7

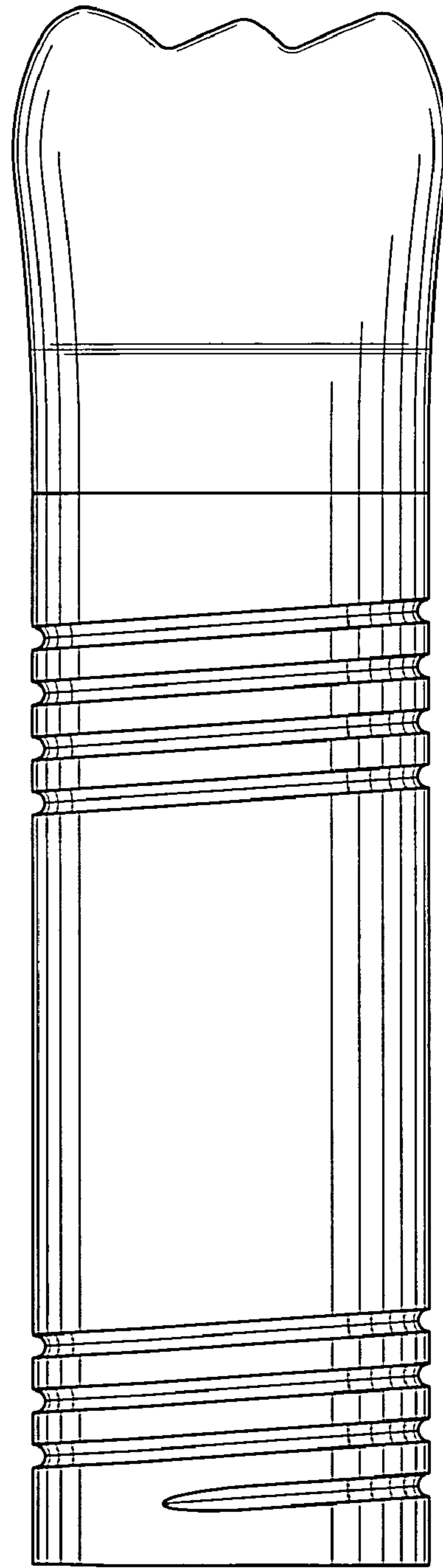




FIG. 8

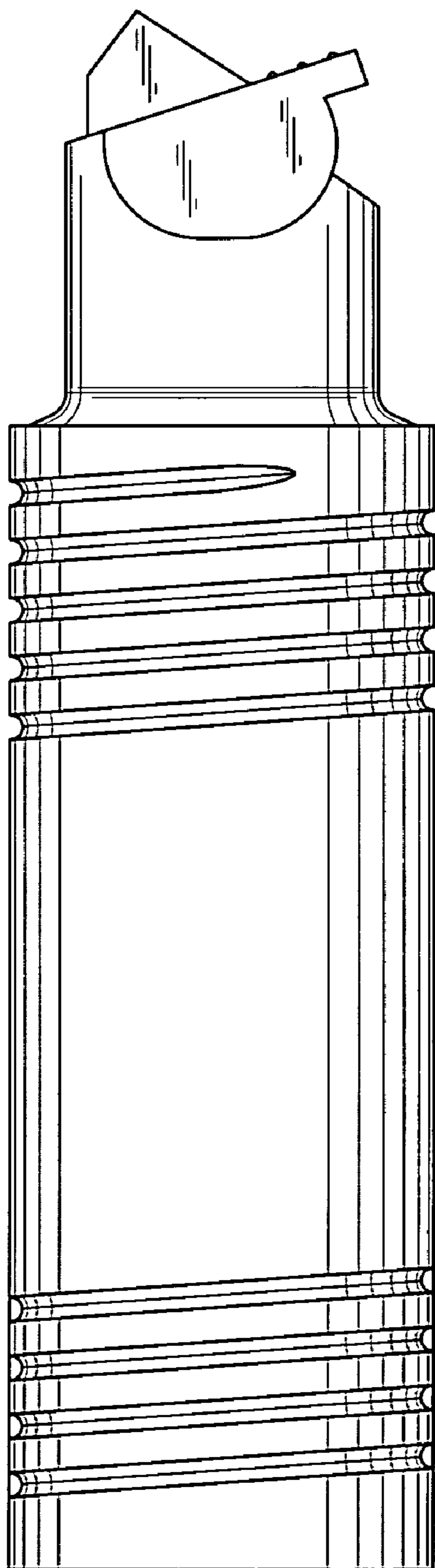
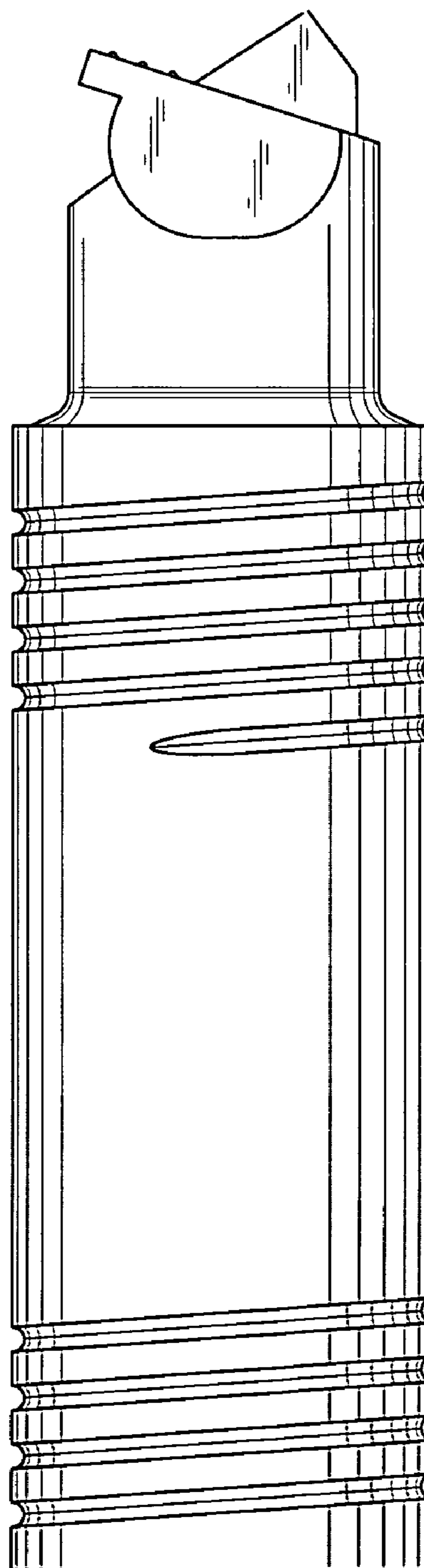
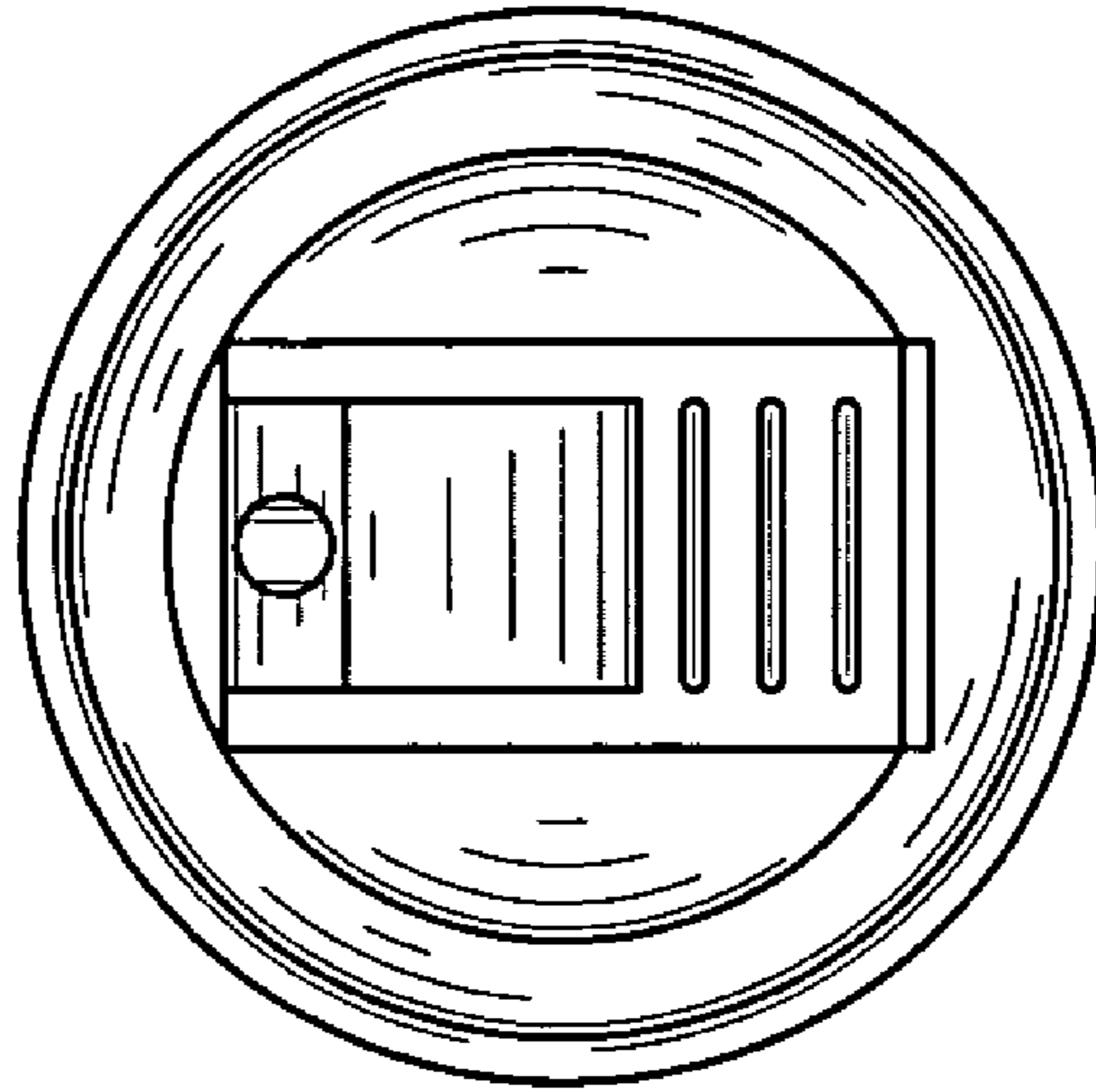


FIG. 9



**FIG. 10**



**FIG. 11**

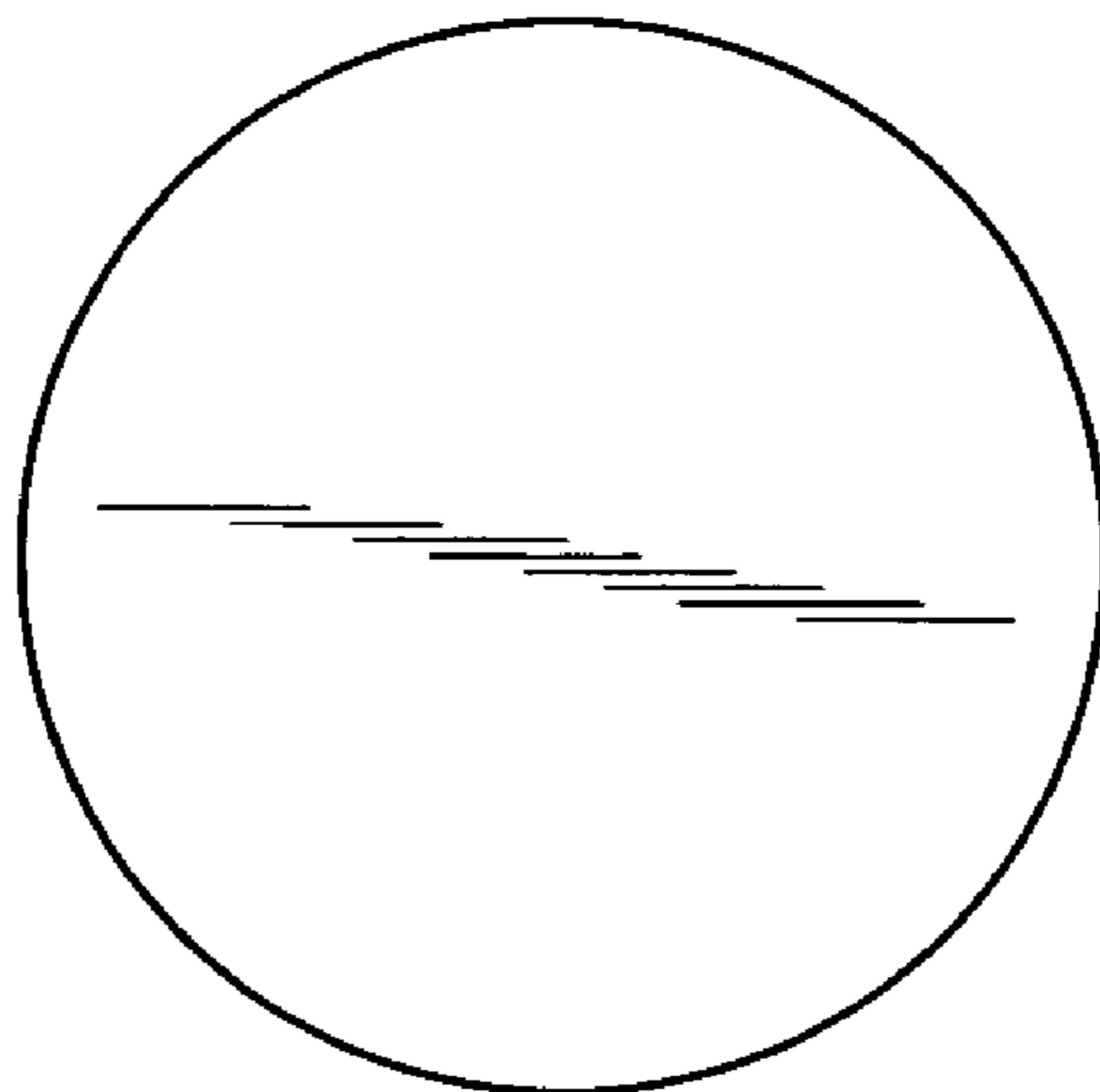


FIG. 12

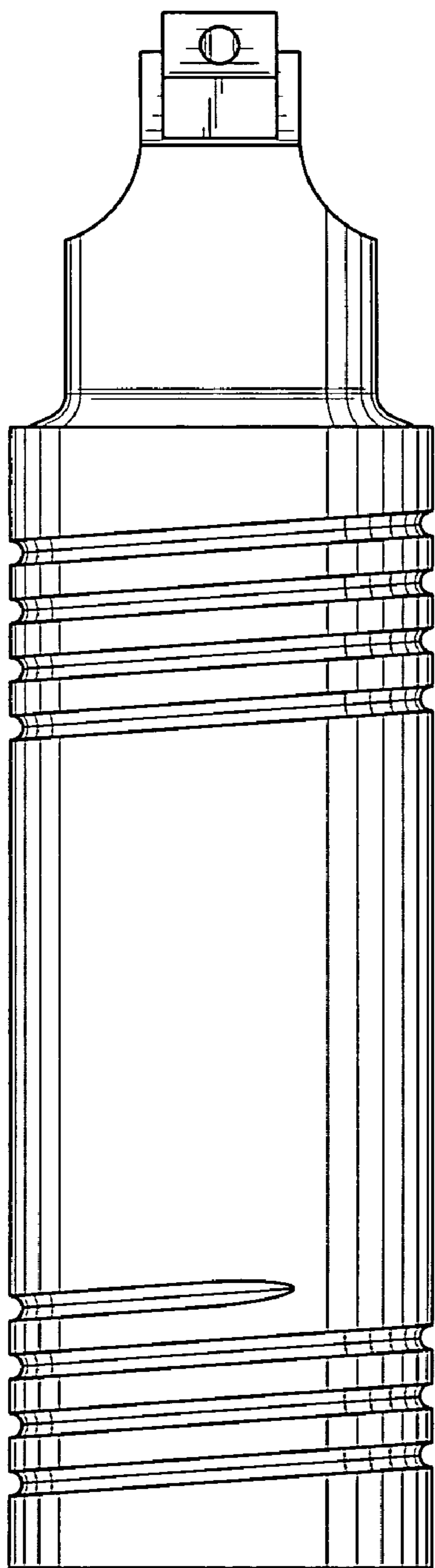


FIG. 13

