



US00D604174S

(12) **United States Design Patent**
Rica

(10) **Patent No.:** **US D604,174 S**

(45) **Date of Patent:** **** Nov. 17, 2009**

(54) **BOTTLE**

(75) Inventor: **Didier Rica**, Le Mont Saint Adrien (FR)

(73) Assignee: **Saverglass Inc.**, Ramsey, NJ (US)

(**) Term: **14 Years**

(21) Appl. No.: **29/326,877**

(22) Filed: **Oct. 27, 2008**

(51) **LOC (9) Cl.** **09-01**

(52) **U.S. Cl.** **D9/560**

(58) **Field of Classification Search** D9/682,
D9/687, 694, 516, 529-530, 542-544, 546,
D9/560, 572-575; D26/9; 215/382-384

See application file for complete search history.

(56) **References Cited**

U.S. PATENT DOCUMENTS

D24,655 S *	9/1895	Preston	D9/560
D31,179 S *	7/1899	Low	D9/560
D66,589 S *	2/1925	Stanisits	D9/560
1,611,443 A *	12/1926	Hothersall	222/542
D237,587 S *	11/1975	Yulimitsu	D9/572
D264,183 S *	5/1982	Schultz	D9/560
D269,067 S *	5/1983	Balleraud	D9/560
4,460,090 A *	7/1984	Paoletti	206/540
D344,458 S *	2/1994	Bruce	D9/546
5,803,287 A *	9/1998	Kusz	215/330
D454,502 S *	3/2002	Legros	D9/544
D494,476 S *	8/2004	Cwynar-Laska et al.	D9/560

D515,940 S *	2/2006	Kratko	D9/745
D526,206 S *	8/2006	Varlet	D9/560
D551,987 S *	10/2007	Kuethe et al.	D9/560
D559,698 S *	1/2008	Rica	D9/544
D565,963 S *	4/2008	Slimane	D9/687
D567,100 S *	4/2008	Liden et al.	D9/560
D577,599 S *	9/2008	Moretti	D9/560
D577,600 S *	9/2008	Kim et al.	D9/573
D579,785 S *	11/2008	Rica	D9/574
D595,141 S *	6/2009	Rica	D9/544

* cited by examiner

Primary Examiner—Carol Rademaker

(74) *Attorney, Agent, or Firm*—Banner & Witcoff, Ltd.

(57) **CLAIM**

The ornamental design for a bottle, as shown and described.

DESCRIPTION

FIG. 1 is an isometric view of a bottle showing my new design;

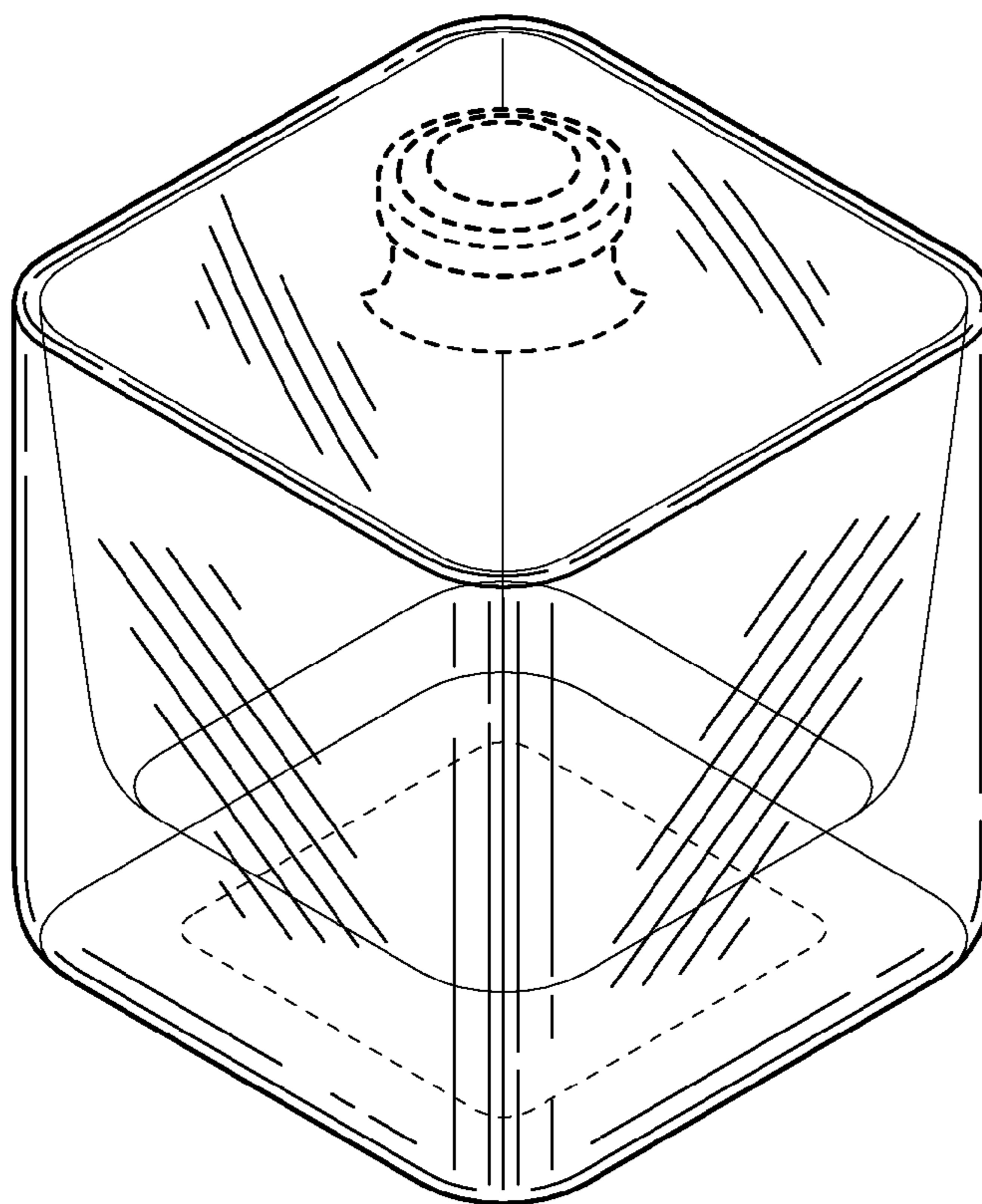
FIG. 2 is a front elevational view thereof, the rear, right and left elevational views being the same;

FIG. 3 is a top plan view thereof; and,

FIG. 4 is a bottom plan view thereof.

The broken line showing of the remainder of the bottle is for environmental purposes only and forms no part of the claimed design.

1 Claim, 2 Drawing Sheets



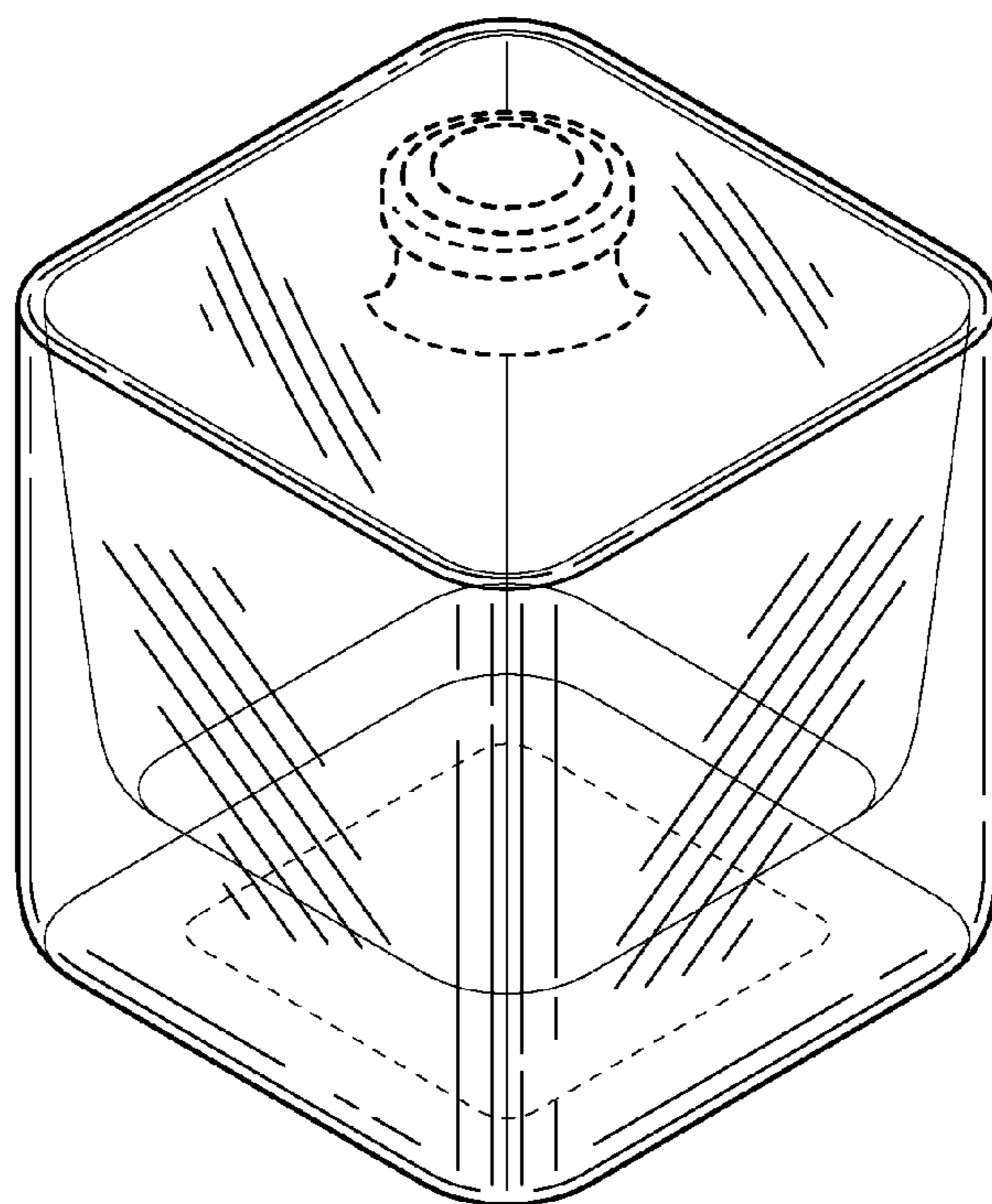


FIG. 1

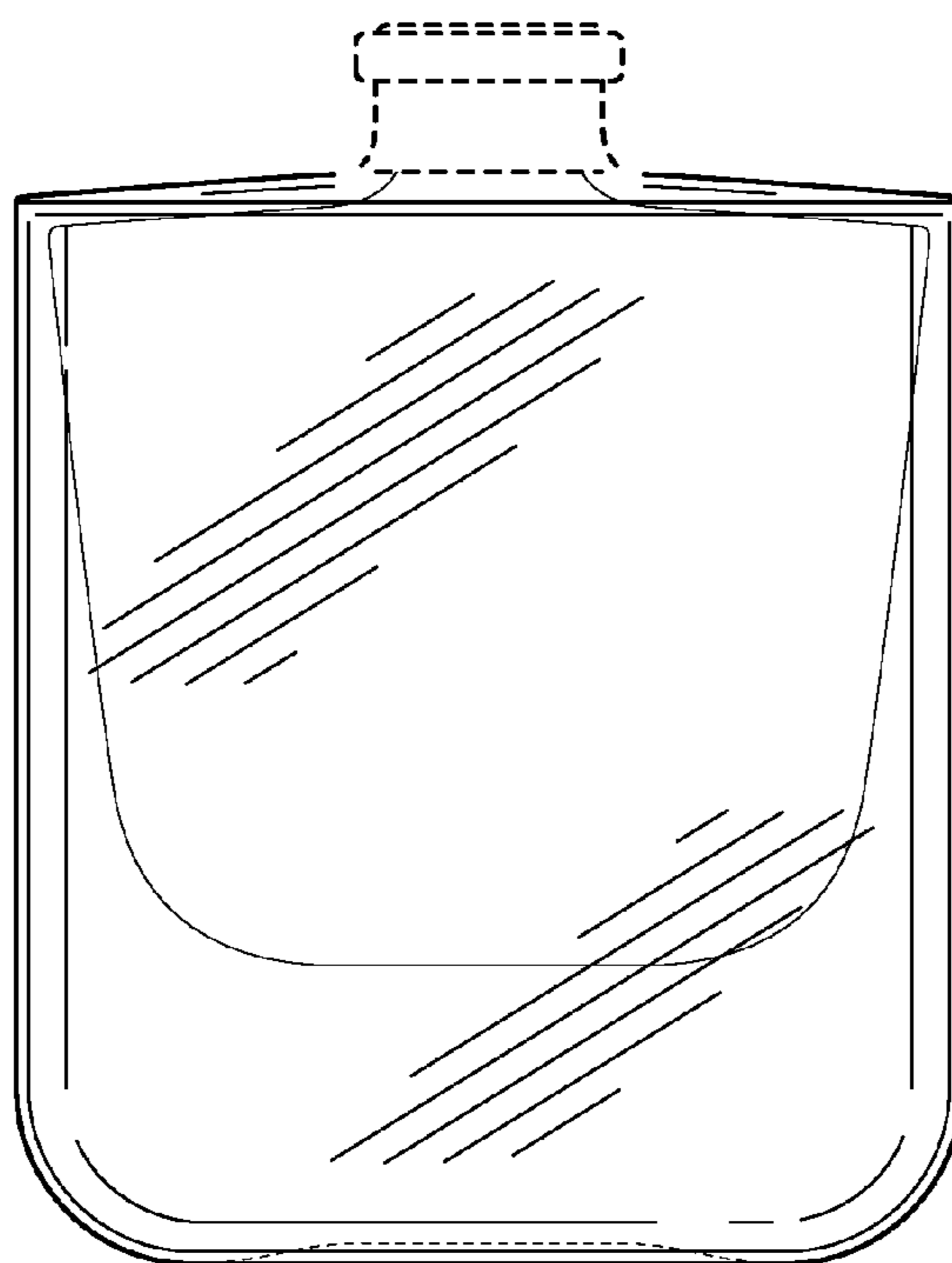


FIG. 2

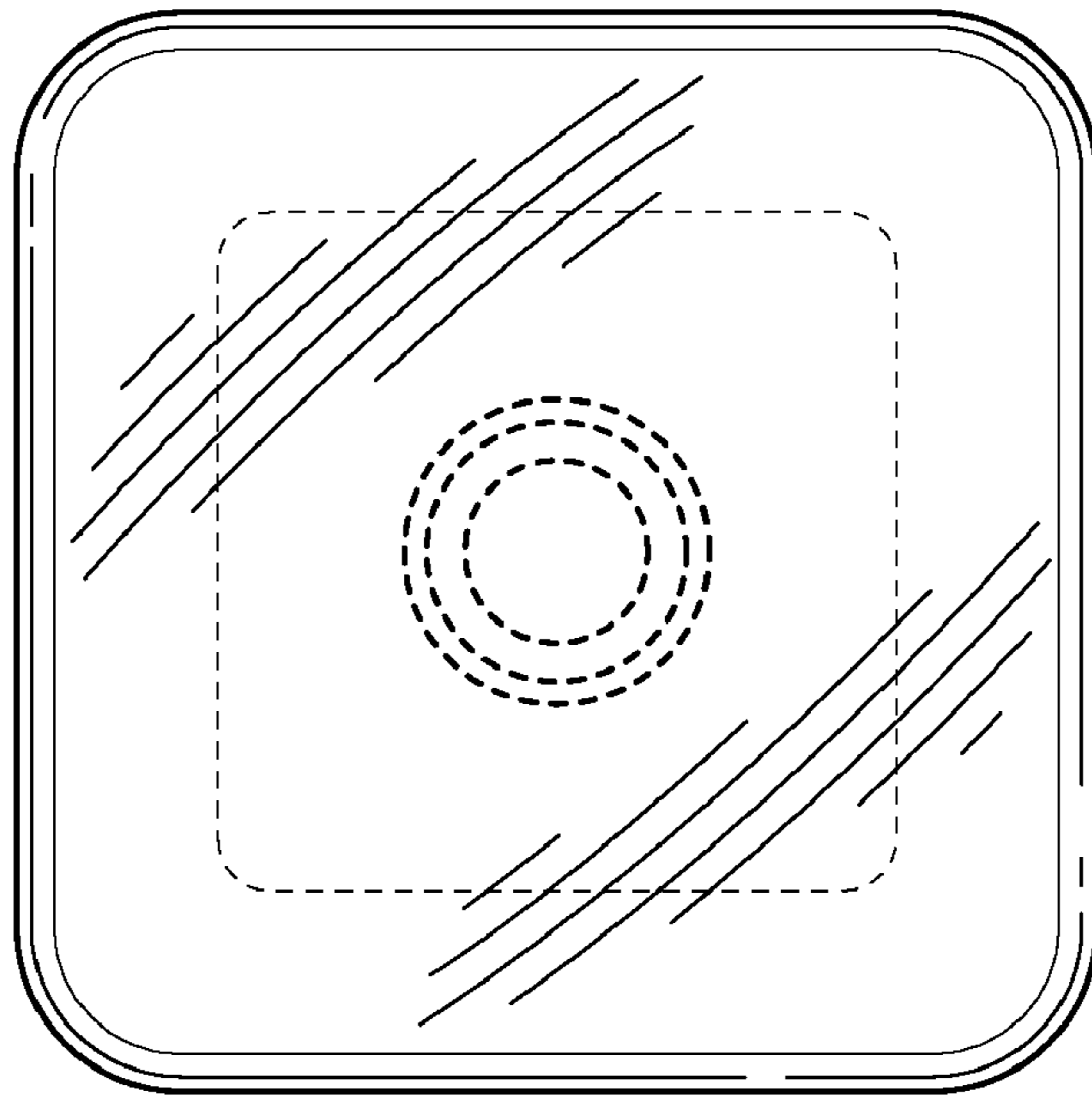


FIG. 3

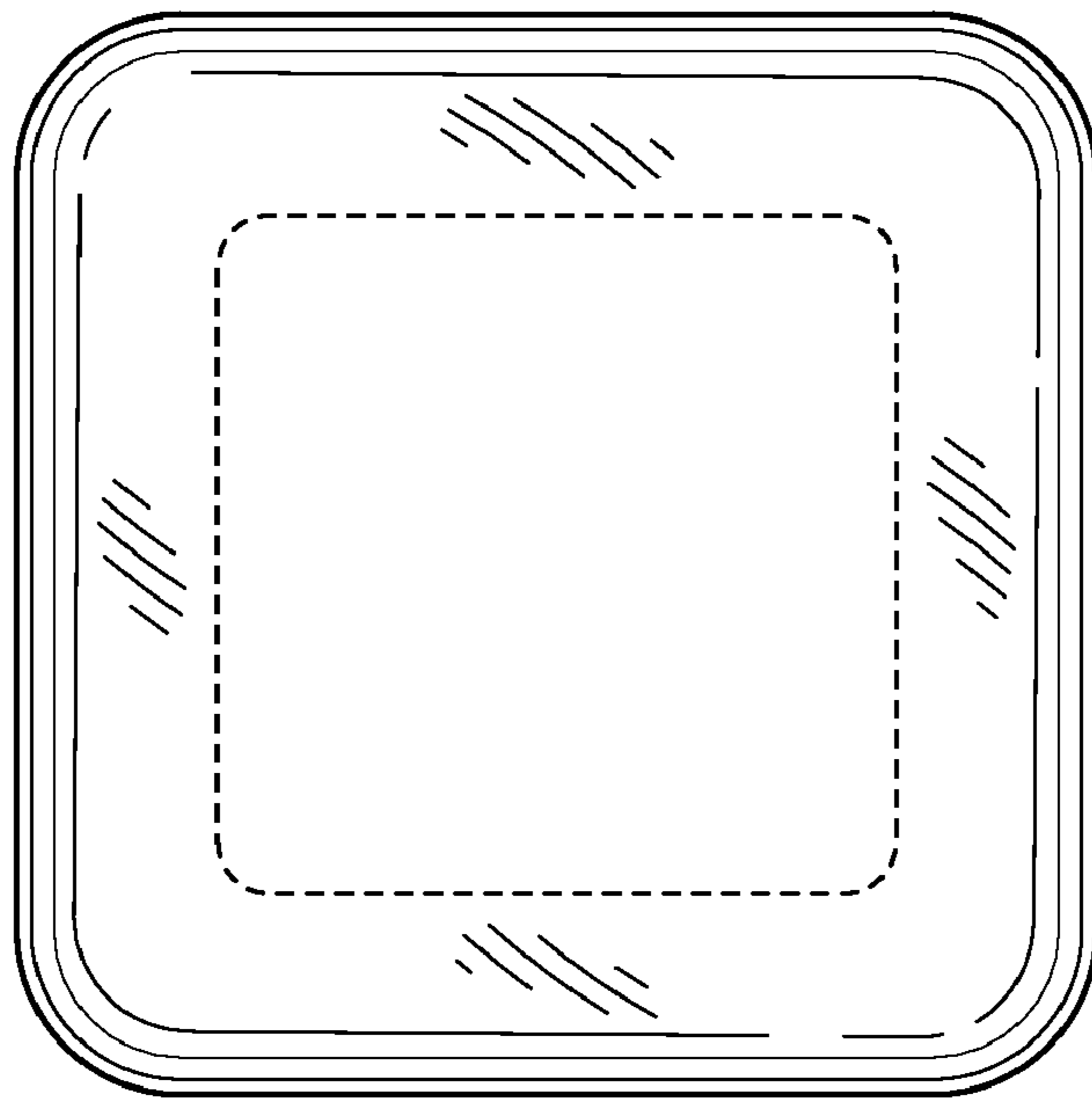


FIG. 4