



US00D604173S

(12) **United States Design Patent**
Gallo et al.

(10) **Patent No.:** **US D604,173 S**
(45) **Date of Patent:** **** Nov. 17, 2009**

- (54) **BOTTLE FOR A DEVICE TO WASH NASAL PASSAGES**
- (75) Inventors: **David Gallo**, San Diego, CA (US);
Diane Heatley, Madison, WI (US); **Jeff Harlan**, Corona, CA (US)
- (73) Assignee: **Med-Systems, Inc.**, Madison, WI (US)
- (**) Term: **14 Years**
- (21) Appl. No.: **29/327,089**
- (22) Filed: **Oct. 30, 2008**
- (51) **LOC (9) Cl.** **09-01**
- (52) **U.S. Cl.** **D9/551; D9/575; D24/108**
- (58) **Field of Classification Search** D9/614,
D9/625, 682, 685, 686, 688, 689, 690, 691,
D9/516, 549, 551, 564, 571, 572, 573, 574,
D9/575, 558; 215/381–385; D24/108
See application file for complete search history.

- D513,592 S * 1/2006 O'Day D9/519
- D519,792 S * 5/2006 Bodum D7/679
- D585,745 S * 2/2009 Honkawa D9/500
- D593,860 S * 6/2009 Bradley et al. D9/500
- D594,335 S * 6/2009 Voss et al. D9/519

* cited by examiner

Primary Examiner—Stella M Reid
Assistant Examiner—Elizabeth J Oswecki
(74) *Attorney, Agent, or Firm*—Stephen C. Beuerle; Procopio
Cory Hargreaves & Savitch LLP

(57) **CLAIM**

The ornamental design for a bottle for a device to wash nasal passages, as shown and described.

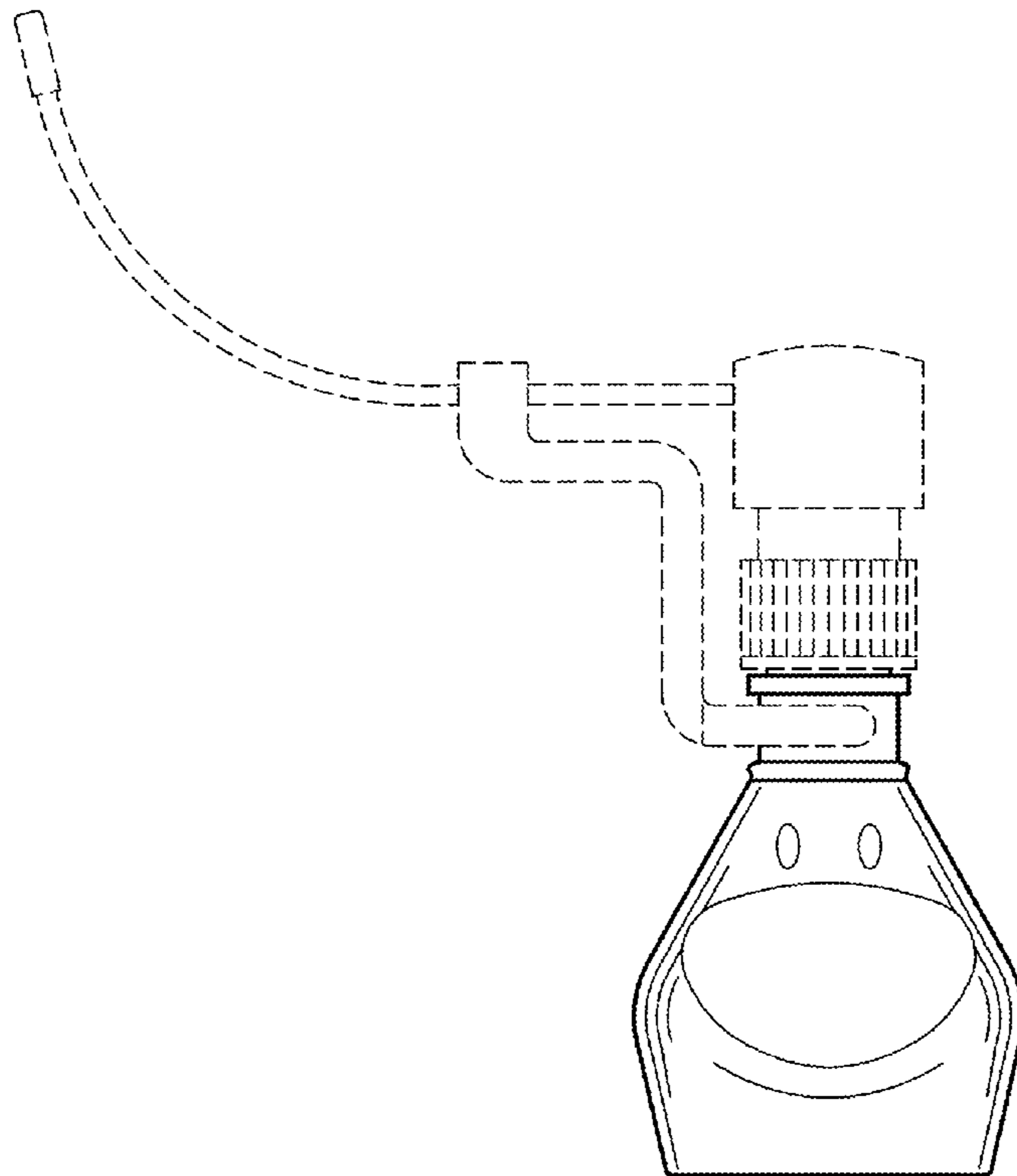
DESCRIPTION

FIG. 1 is a perspective view of a bottle for a device to wash nasal passages showing our new design;
FIG. 2 is a top plan view thereof;
FIG. 3 is a left side elevational view thereof;
FIG. 4 is a front elevational view thereof;
FIG. 5 is a bottom plan view thereof;
FIG. 6 is a right side elevational view thereof; and,
FIG. 7 is a rear elevational view thereof.

The broken lines shown in FIGS. 1–7 are included for the purpose of illustrating environmental elements only and form no part of the claimed design.

1 Claim, 3 Drawing Sheets

- (56) **References Cited**
- U.S. PATENT DOCUMENTS
- 3,118,573 A * 1/1964 Krogsdale 222/212
- D219,260 S * 11/1970 Zeiger D9/503
- D322,754 S * 12/1991 Halm et al. D32/29.1
- D355,332 S * 2/1995 Landivar et al. D7/510
- D400,442 S * 11/1998 Nosella D9/500
- D426,300 S * 6/2000 Conforti D24/115
- D464,169 S * 10/2002 McAuley D27/162
- D498,422 S * 11/2004 Theunynck D9/550



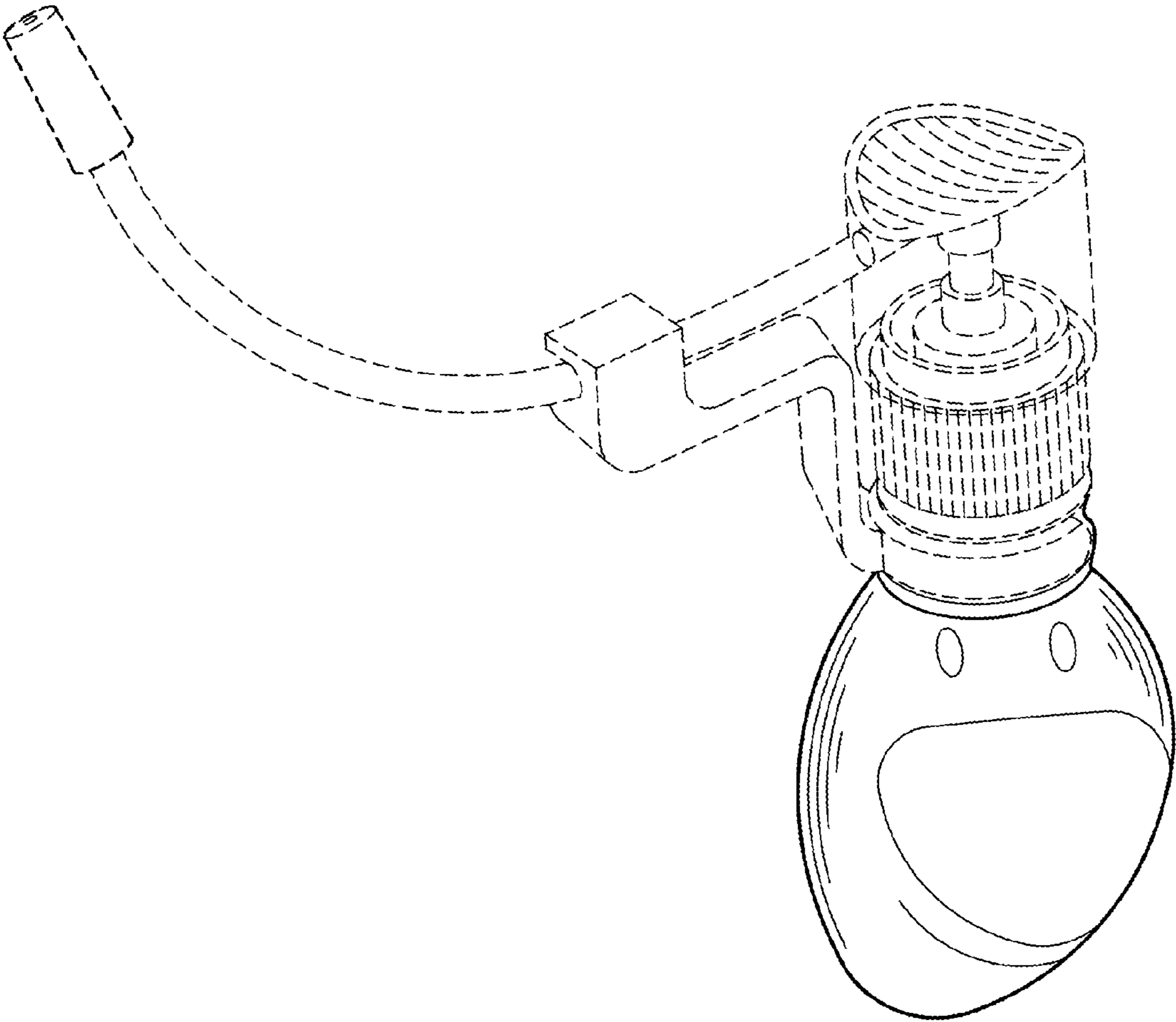


FIG. 1

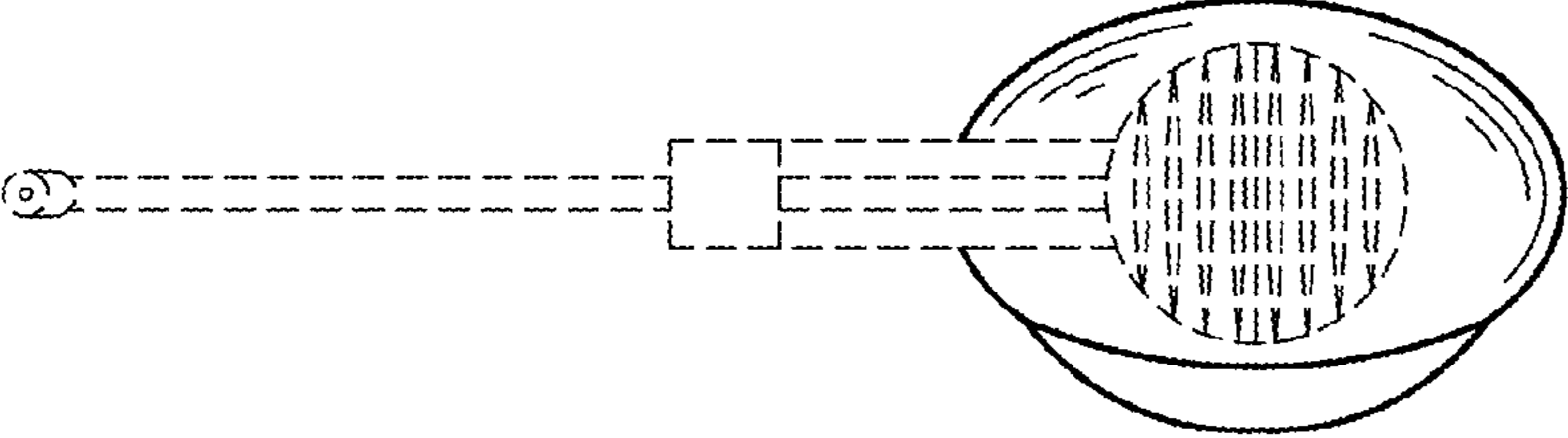


FIG. 2

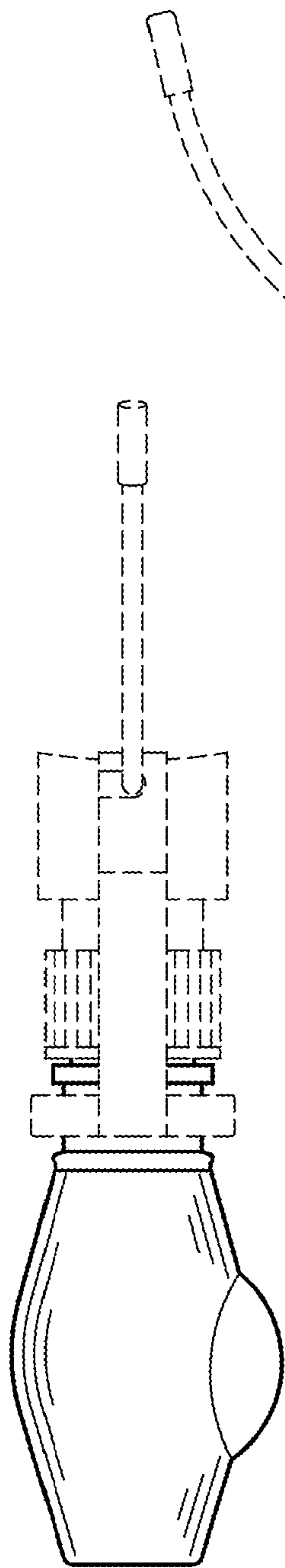


FIG. 3

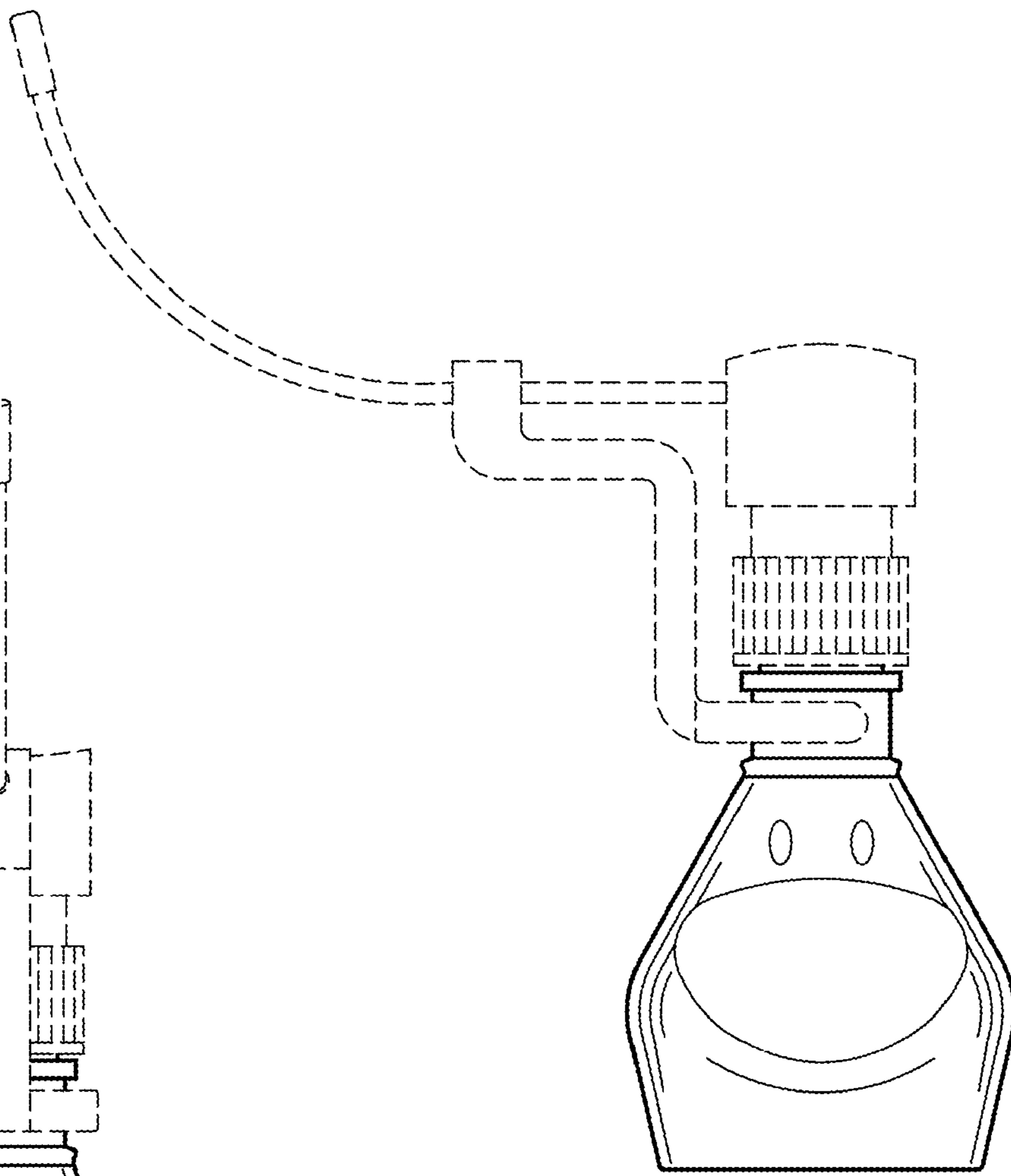


FIG. 4

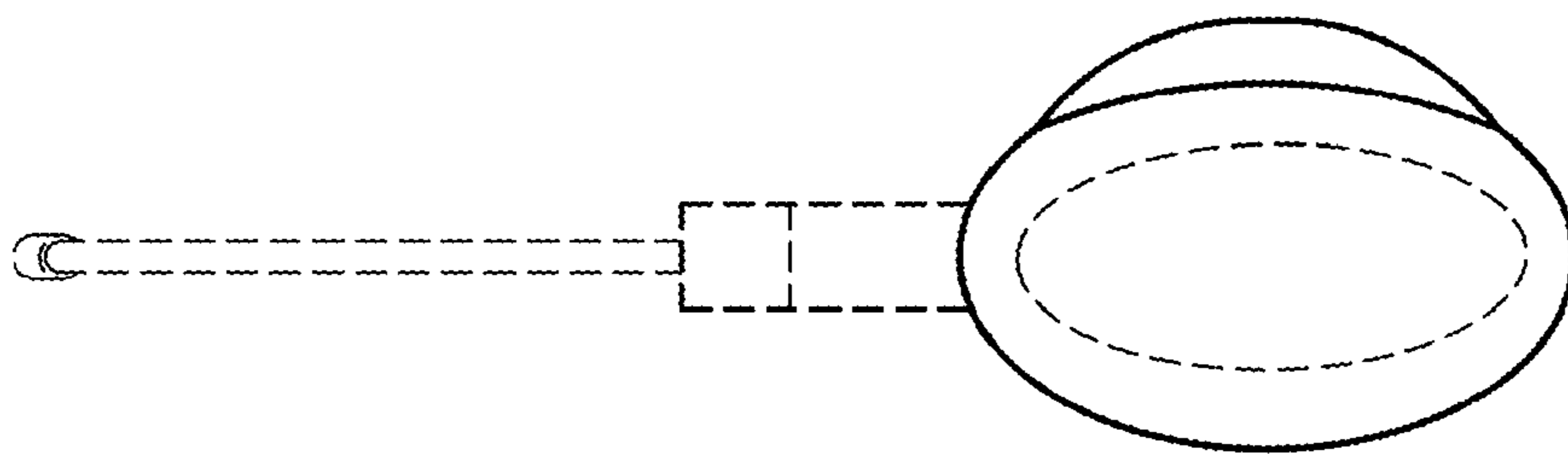


FIG. 5

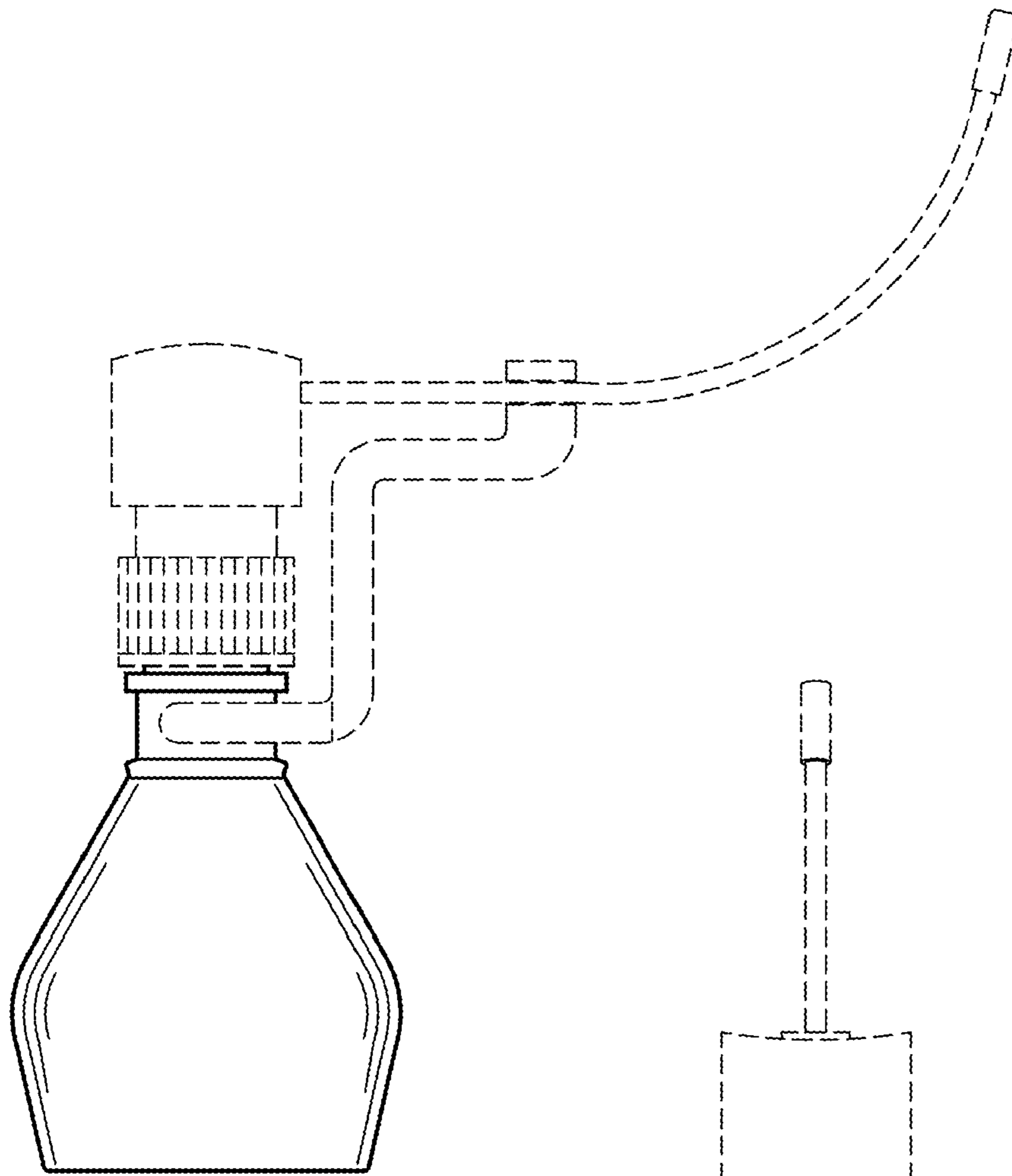


FIG. 7

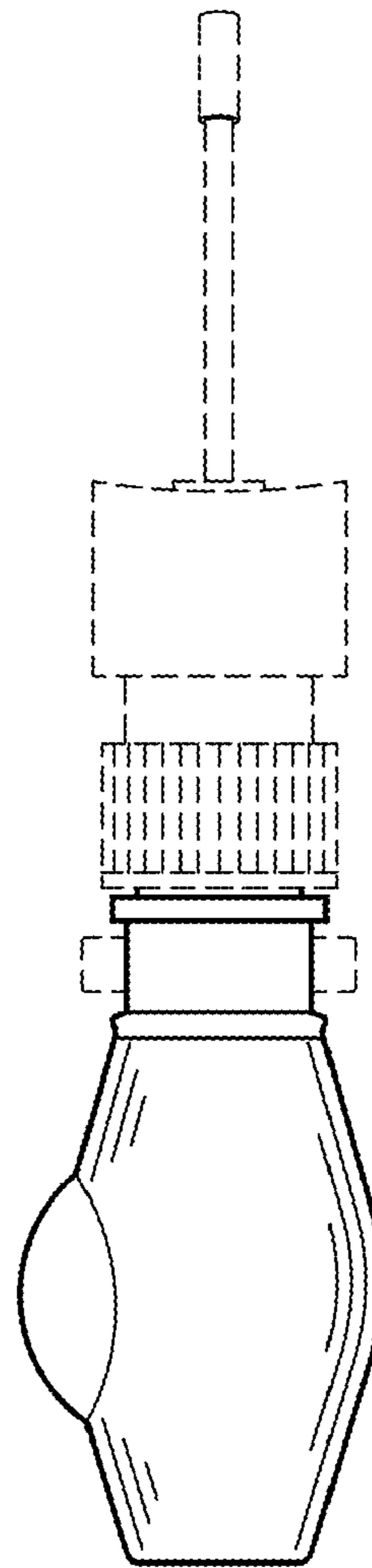


FIG. 6