



US00D604166S

(12) **United States Design Patent**
Gallo et al.

(10) **Patent No.:** **US D604,166 S**

(45) **Date of Patent:** **** Nov. 17, 2009**

(54) **DEVICE TO WASH NASAL PASSAGES**

D555,012 S * 11/2007 Yamauchi et al. D9/724
D562,404 S * 2/2008 Jansen et al. D19/69

(75) Inventors: **David Gallo**, San Diego, CA (US);
Diane Heatley, Madison, WI (US); **Jeff Harlan**,
Corona, CA (US)

* cited by examiner

Primary Examiner—Ian Simmons

Assistant Examiner—Christopher Lee

(73) Assignee: **Med-Systems, Inc.**, Madison, WI (US)

(74) *Attorney, Agent, or Firm*—Stephen C. Beuerle; Procopio
Cory Hargreaves & Savitch LLP

(**) Term: **14 Years**

(21) Appl. No.: **29/248,243**

(57) **CLAIM**

(22) Filed: **Aug. 4, 2006**

The ornamental design for a device to wash nasal passages, as shown and described.

(51) **LOC (9) Cl.** **09-01**

(52) **U.S. Cl.** **D9/529; D9/551; D9/453;**
D24/110

(58) **Field of Classification Search** D24/110,
D24/114, 115; D9/503, 523, 692, 724, 529,
D9/551, 564, 719, 652; 128/200.21, 200.14,
128/200.22, 200.23, 203.28, 207.18; D19/69;
220/674, 675; 215/382, 379; 222/92, 107,
222/633; 604/275, 36, 35, 37, 19, 217

See application file for complete search history.

DESCRIPTION

FIG. 1 is a perspective view of an embodiment of a device to wash nasal passages.

FIG. 2 is a front elevational view of the device to wash nasal passages.

FIG. 3 is a right side elevational view of the device to wash nasal passages.

FIG. 4 is a left side elevational view of the device to wash nasal passages.

FIG. 5 is a top plan view of the device to wash nasal passages; and,

FIG. 6 is a bottom plan view of the device to wash nasal passages.

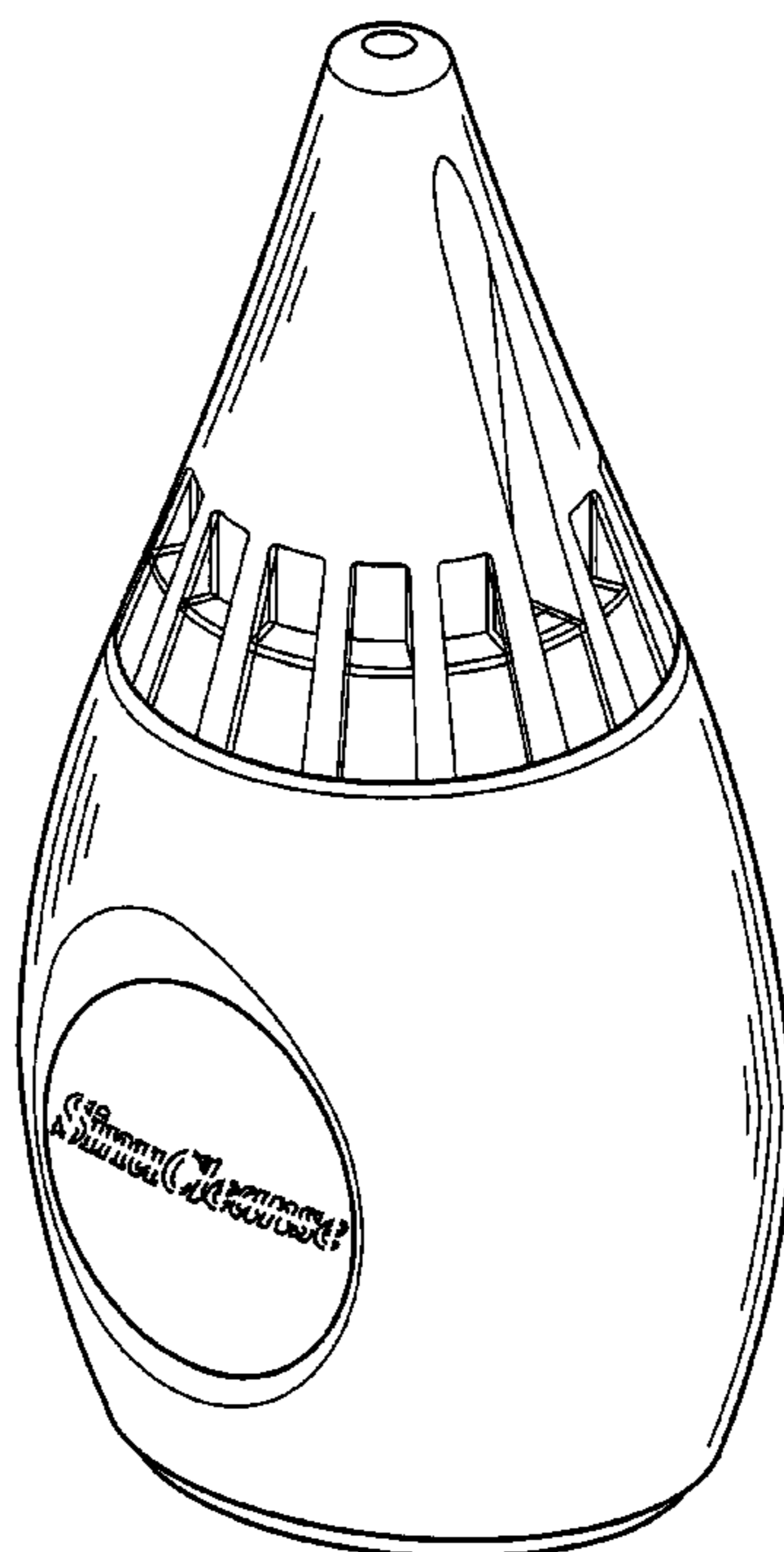
The broken lines shown in FIGS. 1-6 are included for the purpose of illustrating environmental elements only and form no part of the claimed design.

(56) **References Cited**

U.S. PATENT DOCUMENTS

2,672,141	A *	3/1954	Filger	128/200.22
3,269,389	A *	8/1966	Meurer et al.	128/200.14
D329,605	S *	9/1992	Crawford	D9/529
D376,536	S *	12/1996	Maxwell et al.	D9/693
D414,261	S *	9/1999	Ritsche	D24/110
6,644,305	B2 *	11/2003	MacRae et al.	128/200.21
D497,107	S *	10/2004	Hama et al.	D9/529
D534,434	S *	1/2007	Born et al.	D9/724

1 Claim, 3 Drawing Sheets



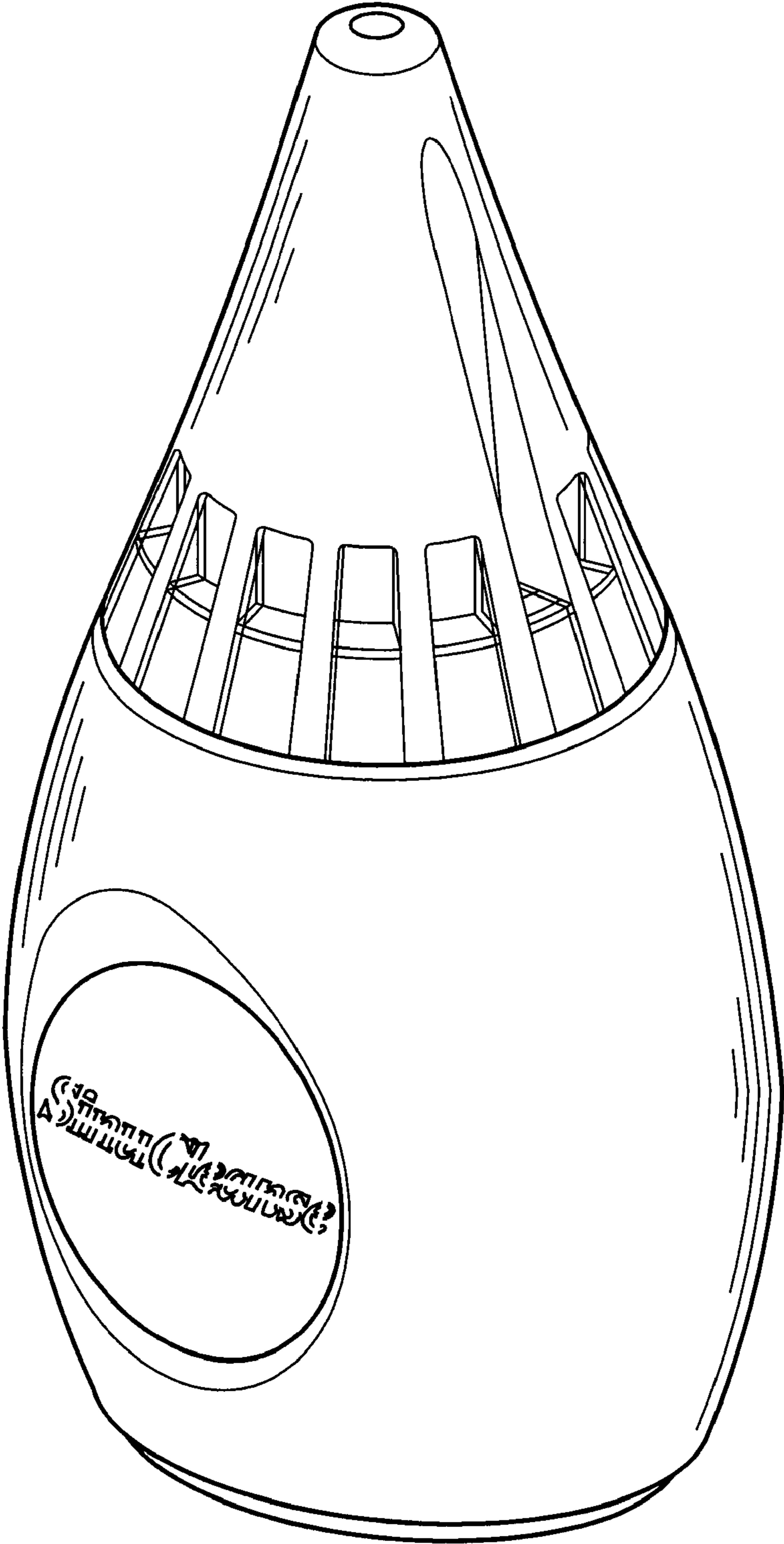


FIG. 1

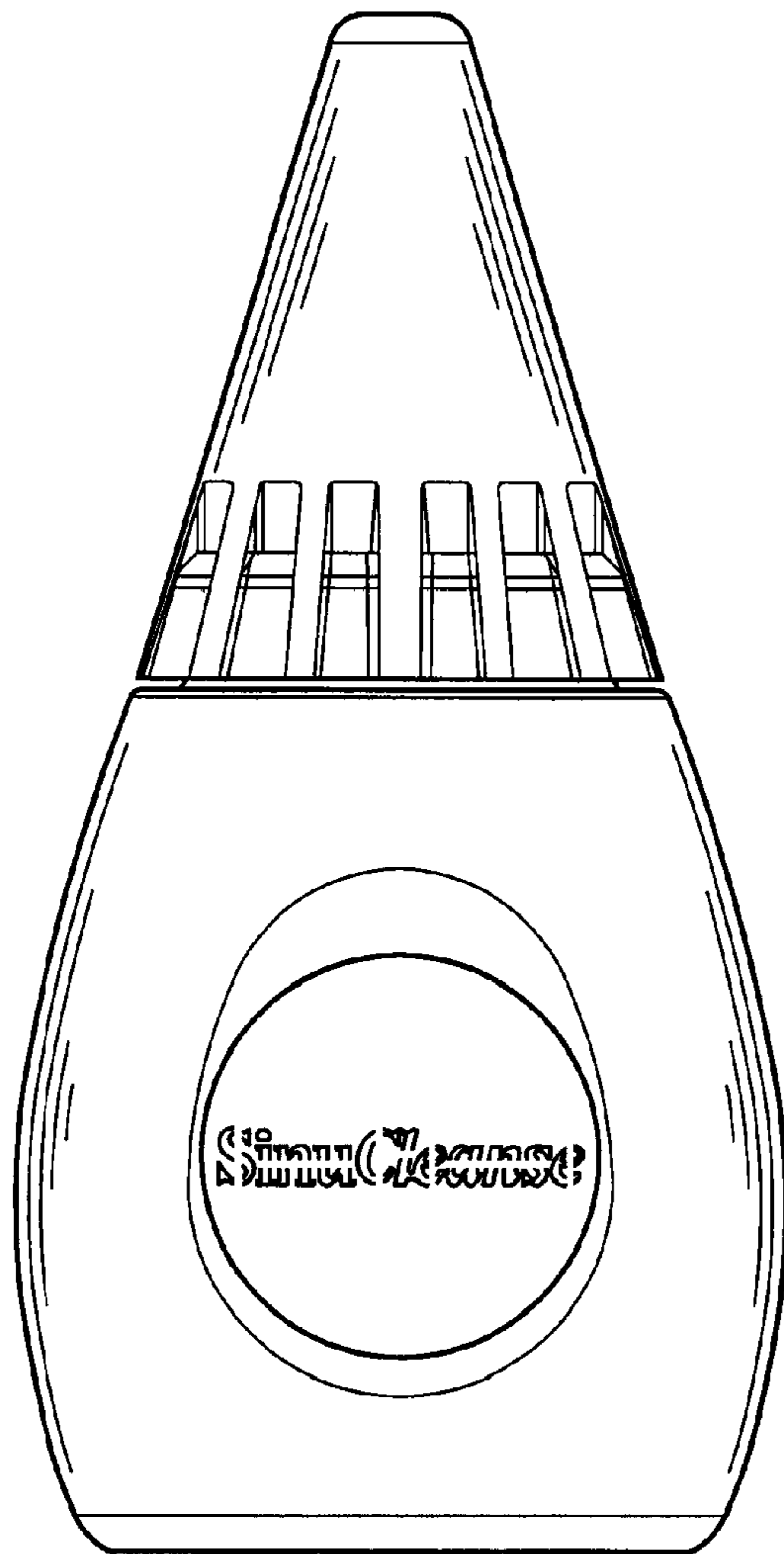


FIG. 2

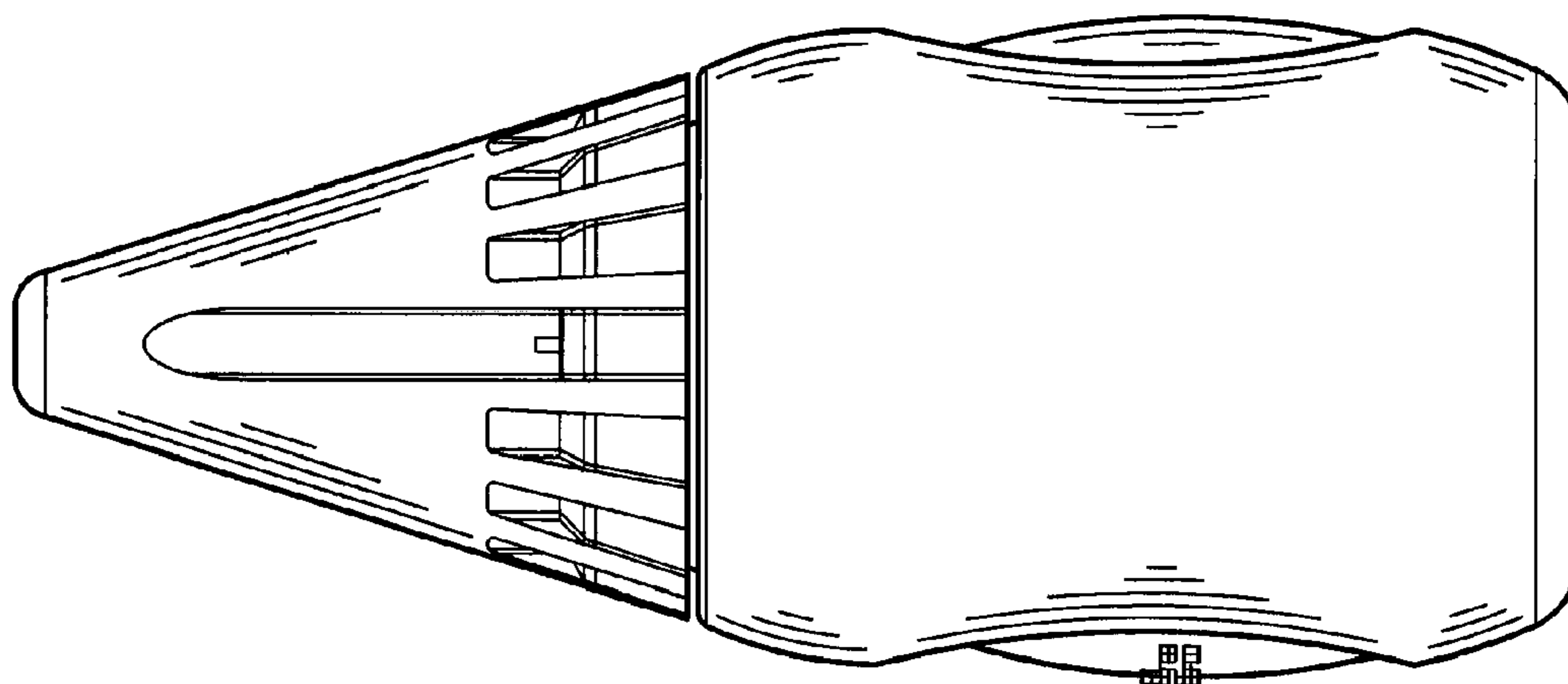


FIG. 3

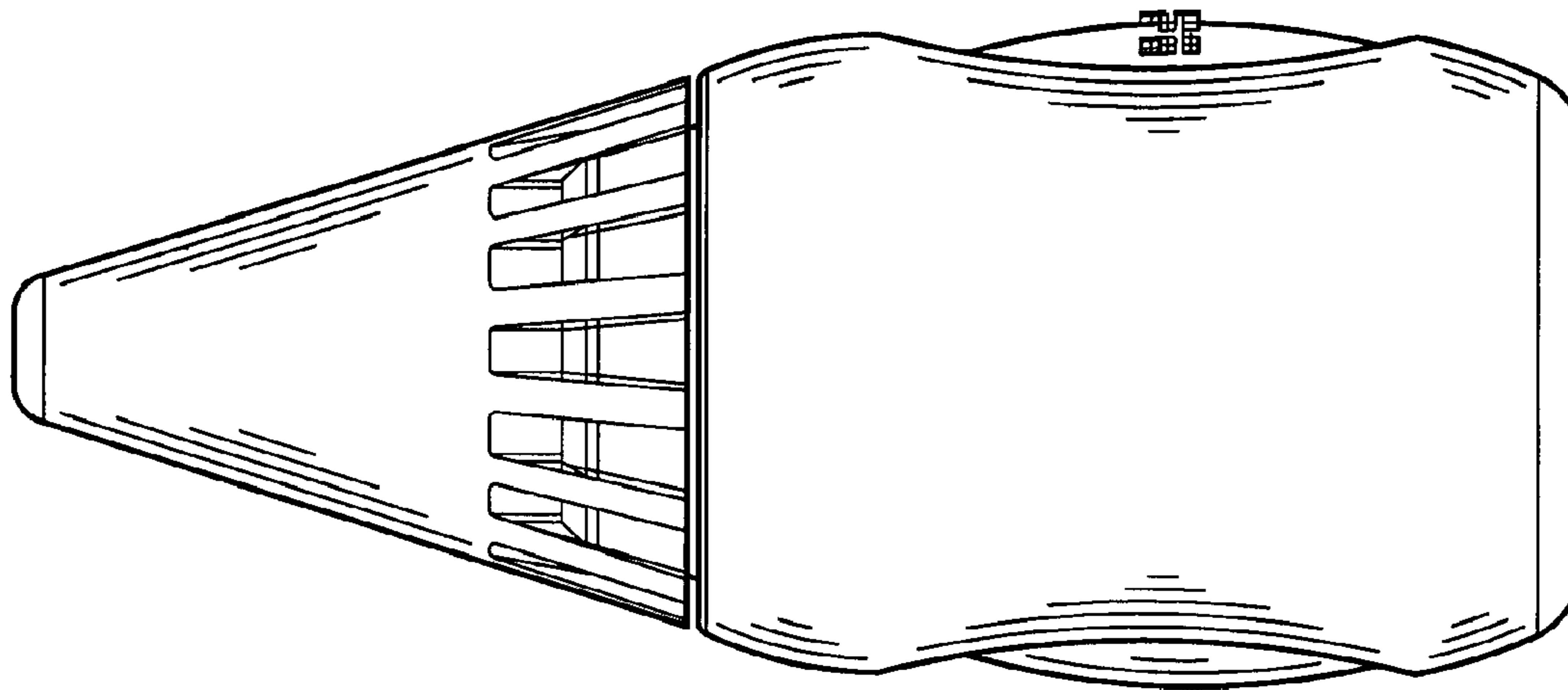


FIG. 4

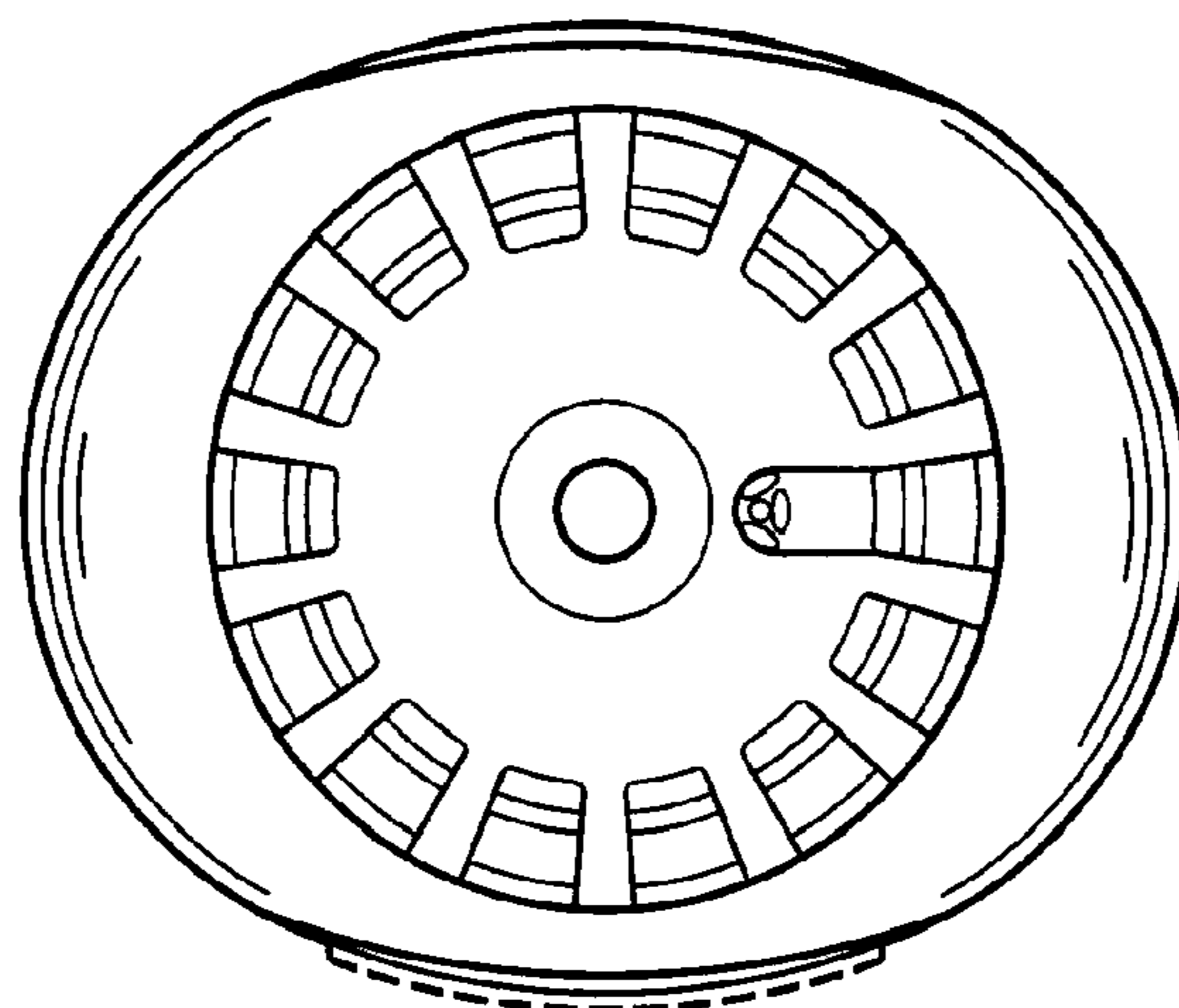


FIG. 5

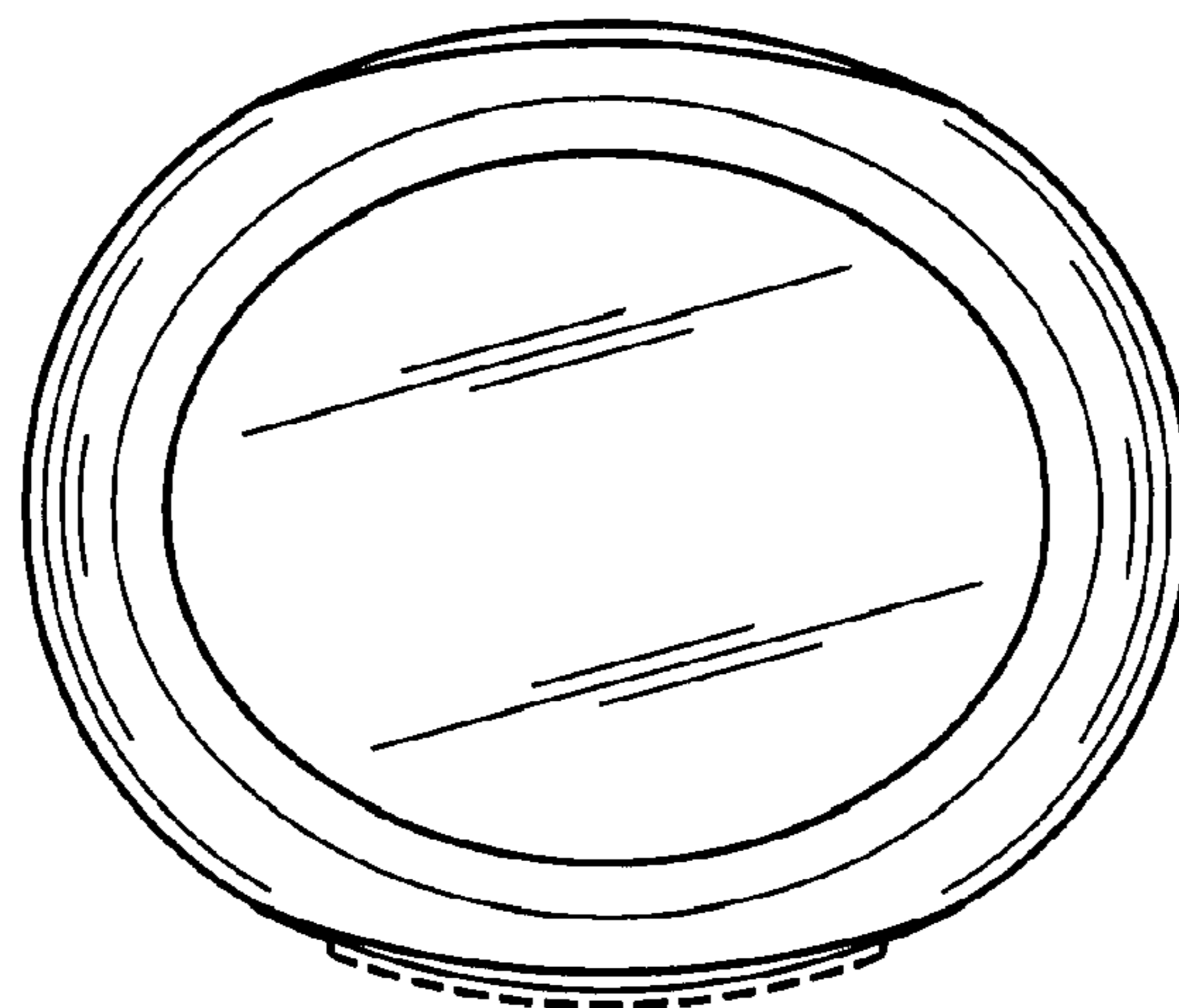


FIG. 6