

US00D604161S

(12) **United States Design Patent**  
**Wilson et al.**

(10) **Patent No.:** **US D604,161 S**

(45) **Date of Patent:** **\*\* Nov. 17, 2009**

(54) **TAMPER EVIDENT LID FOR A CONTAINER**

844,640 A	2/1907	West
961,991 A	6/1910	Ullrich
1,077,459 A	11/1913	Driscoll
1,134,427 A	4/1915	Ullrich
1,141,535 A	6/1915	Freundt

(75) Inventors: **Tracie Lynn Wilson**, Westminster, MD (US); **Tom Coulter**, Baltimore, MD (US); **Steve Gift**, Litiz, PA (US); **Duane Sawyer**, York, PA (US)

(Continued)

(73) Assignee: **McCormick & Company, Incorporated**, Sparks, MD (US)

*Primary Examiner*—Susan Bennett Hattan  
(74) *Attorney, Agent, or Firm*—Oblon, Spivak, McClelland, Maier & Neustadt, L.L.P.

(\*\*) Term: **14 Years**

(21) Appl. No.: **29/336,304**

(57) **CLAIM**

(22) Filed: **Apr. 30, 2009**

The new, original, and ornamental design for a tamper evident lid for a container, as shown and described.

**Related U.S. Application Data**

**DESCRIPTION**

(62) Division of application No. 29/304,478, filed on Mar. 3, 2008.

(51) **LOC (9) Cl.** ..... **09-07**

(52) **U.S. Cl.** ..... **D9/449**

(58) **Field of Classification Search** ..... D9/716,  
D9/715, 454, 453, 452, 450, 449, 447, 446,  
D9/443, 438, 436, 435, 434; D7/643, 638,  
D7/505, 396.2, 392, 392.1, 305; 426/120;  
229/404, 401; 222/556, 480; 220/810, 713,  
220/375, 254.1–254.9; 215/236, 235; 206/807  
See application file for complete search history.

FIG. 1 is a top, left, and front perspective view of a tamper evident lid for a container;  
FIG. 2 is a top plan view thereof;  
FIG. 3 is a bottom plan view thereof;  
FIG. 4 is a top, right, and front perspective view thereof when in a closed position;  
FIG. 5 is a right side elevational view thereof;  
FIG. 6 is a rear elevational view thereof; and,  
FIG. 7 is a front elevational view thereof.

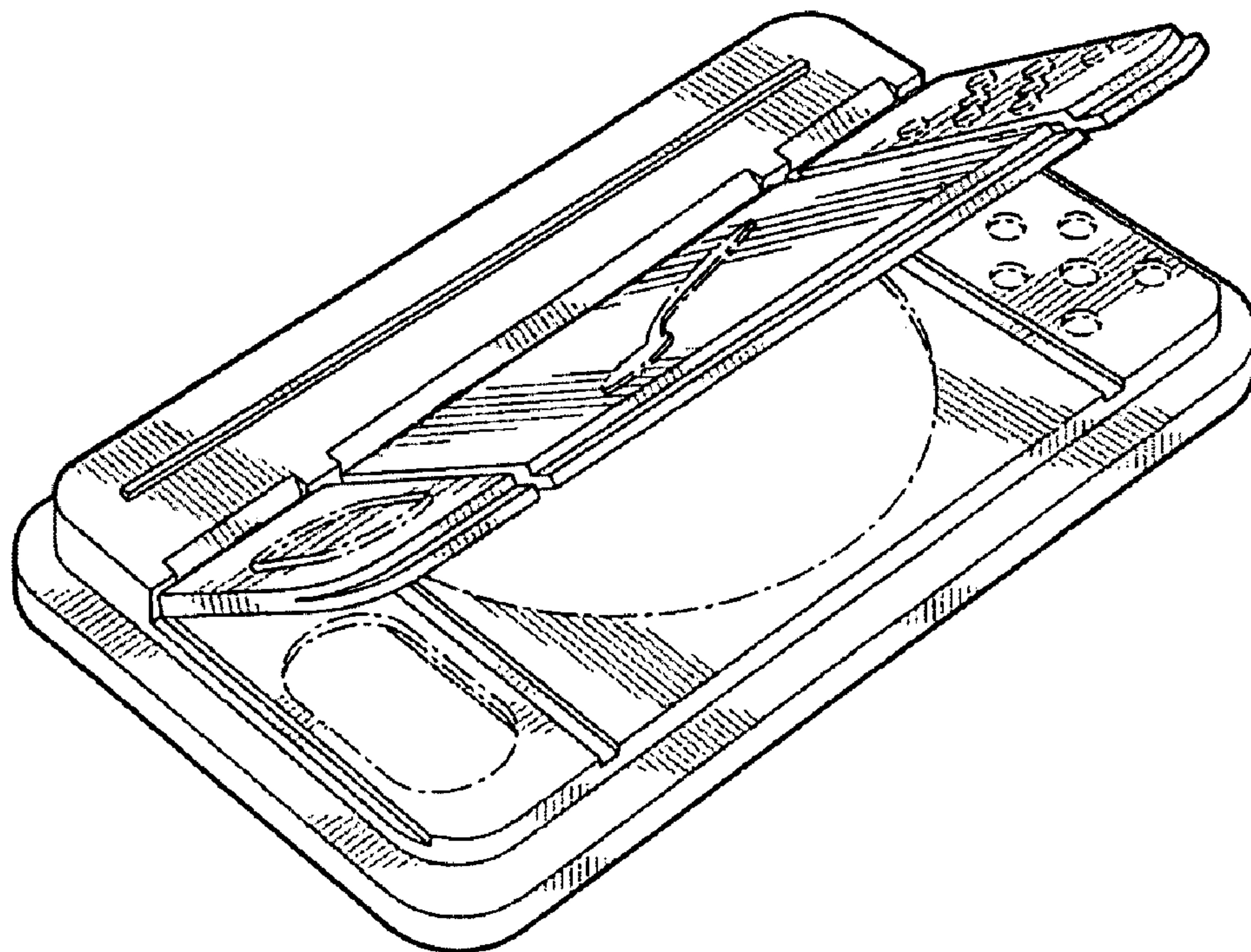
(56) **References Cited**

The broken lines in the drawings depict environmental subject matter only and form no part of the claimed design.

**U.S. PATENT DOCUMENTS**

611,410 A 9/1898 Holland

**1 Claim, 5 Drawing Sheets**



# US D604,161 S

Page 2

U.S. PATENT DOCUMENTS					
			3,695,481 A	10/1972	Foster et al.
			3,737,066 A	6/1973	Ames
			3,759,428 A	9/1973	Heter, Jr.
			3,773,232 A	11/1973	Hidding
			3,817,420 A	6/1974	Heisler
			3,872,996 A	3/1975	Dogliotti
			3,907,156 A	9/1975	Weatherhead, III
			4,144,985 A	3/1979	Kinslow
			4,177,932 A	12/1979	Cleevly
			4,253,587 A	3/1981	Otterson
			4,280,636 A	7/1981	Lewis
			4,349,174 A	9/1982	Obrist et al.
			4,359,171 A	11/1982	Lewis
			4,361,250 A	11/1982	Foster
			4,369,901 A	1/1983	Hidding
			4,463,869 A	8/1984	Lewis
			4,471,881 A	9/1984	Foster
			4,491,252 A	1/1985	Schmidt et al.
			4,494,679 A	1/1985	Cleevly
			4,538,731 A	9/1985	Cillario
			4,558,806 A	12/1985	Shabram, Sr. et al.
			4,592,480 A	6/1986	Hart et al.
			4,610,371 A	9/1986	Karkiewicz
			4,621,744 A	11/1986	Foster
			4,634,019 A	1/1987	Pherigo
			4,658,980 A	4/1987	Lindstrom
			D291,411 S	8/1987	Crawford
			4,693,399 A	9/1987	Hickman et al.
			4,723,693 A	2/1988	DeCoster
			4,724,977 A	2/1988	Cleevly et al.
			4,759,478 A	7/1988	Richardson et al.
			4,787,530 A	11/1988	Edwards
			4,790,448 A	12/1988	Ostrum et al.
			D301,549 S	6/1989	Foster
			4,883,193 A	11/1989	Christensson
			D305,206 S	12/1989	Hickman et al.
			D306,830 S	3/1990	DeCoster
			4,934,554 A	6/1990	Edwards
			4,934,557 A	6/1990	Smith
			4,940,191 A	7/1990	Dolby
			4,955,513 A	9/1990	Bennett
			D312,190 S	11/1990	Ciaccio
			4,976,369 A	12/1990	Shindo et al.
			5,002,197 A	3/1991	Ponsi
			D318,777 S	8/1991	Freese
			5,048,715 A	9/1991	Wolff
			5,052,572 A	10/1991	Pherigo
			5,085,331 A	2/1992	Groya et al.
			5,103,989 A	4/1992	Druesne et al.
			5,123,561 A	6/1992	Gross
			5,145,085 A	9/1992	Yost
			D330,165 S	10/1992	Brochu et al.
			5,195,645 A	3/1993	Schuermann
			D334,709 S	4/1993	Fleming et al.
			5,211,301 A	5/1993	Groya et al.
			5,219,087 A	6/1993	Christensson
			5,219,100 A	6/1993	Beck et al.
			D339,065 S	9/1993	Forsyth et al.
			D340,187 S	10/1993	Forsyth
			5,301,827 A	4/1994	Valyi
			5,303,839 A	4/1994	Blumenschein
			5,307,948 A	5/1994	Blackburn et al.
			D349,650 S	8/1994	Lonczak et al.
			5,339,993 A	8/1994	Groya et al.
			D352,899 S	11/1994	Molo
			D353,094 S	12/1994	Labrie
			D362,595 S	9/1995	Schneider
			5,457,843 A	10/1995	Gelardi et al.
			5,465,871 A	11/1995	Robbins, III
			5,482,172 A	1/1996	Braddock
			5,552,575 A	9/1996	Doumanidis
			5,579,932 A	12/1996	Drozd et al.
			5,636,732 A	6/1997	Gilels et al.

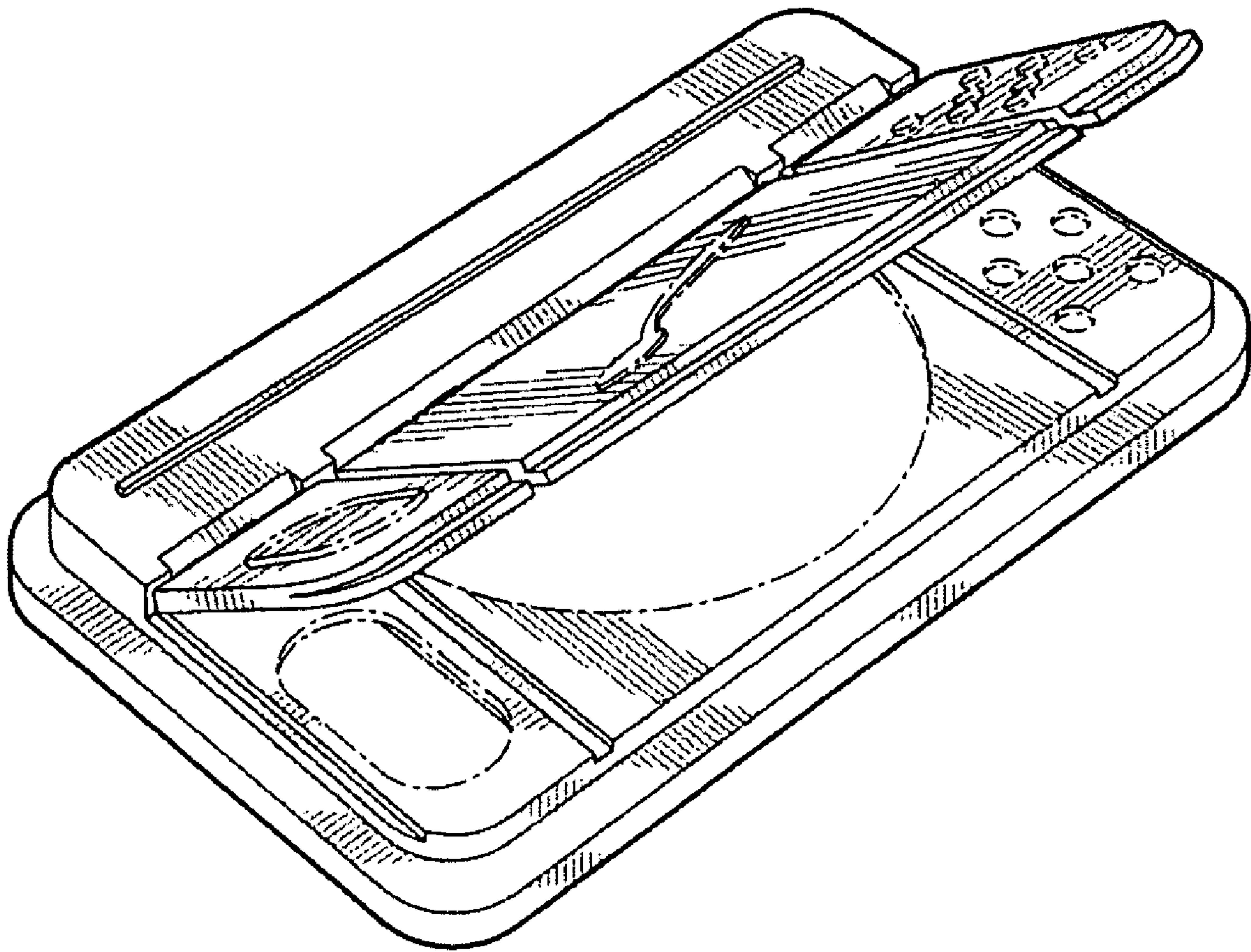


# US D604,161 S

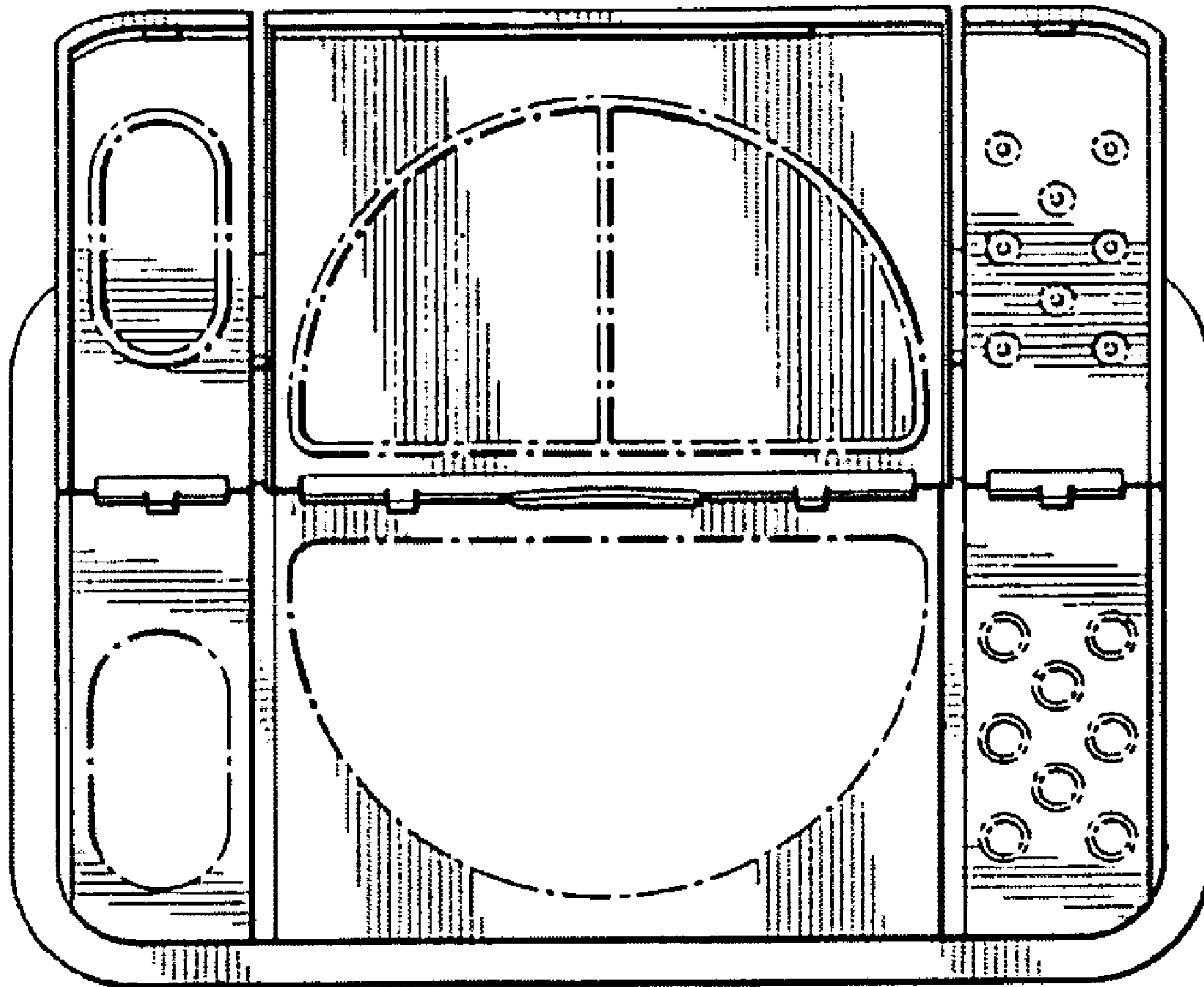
Page 3

---

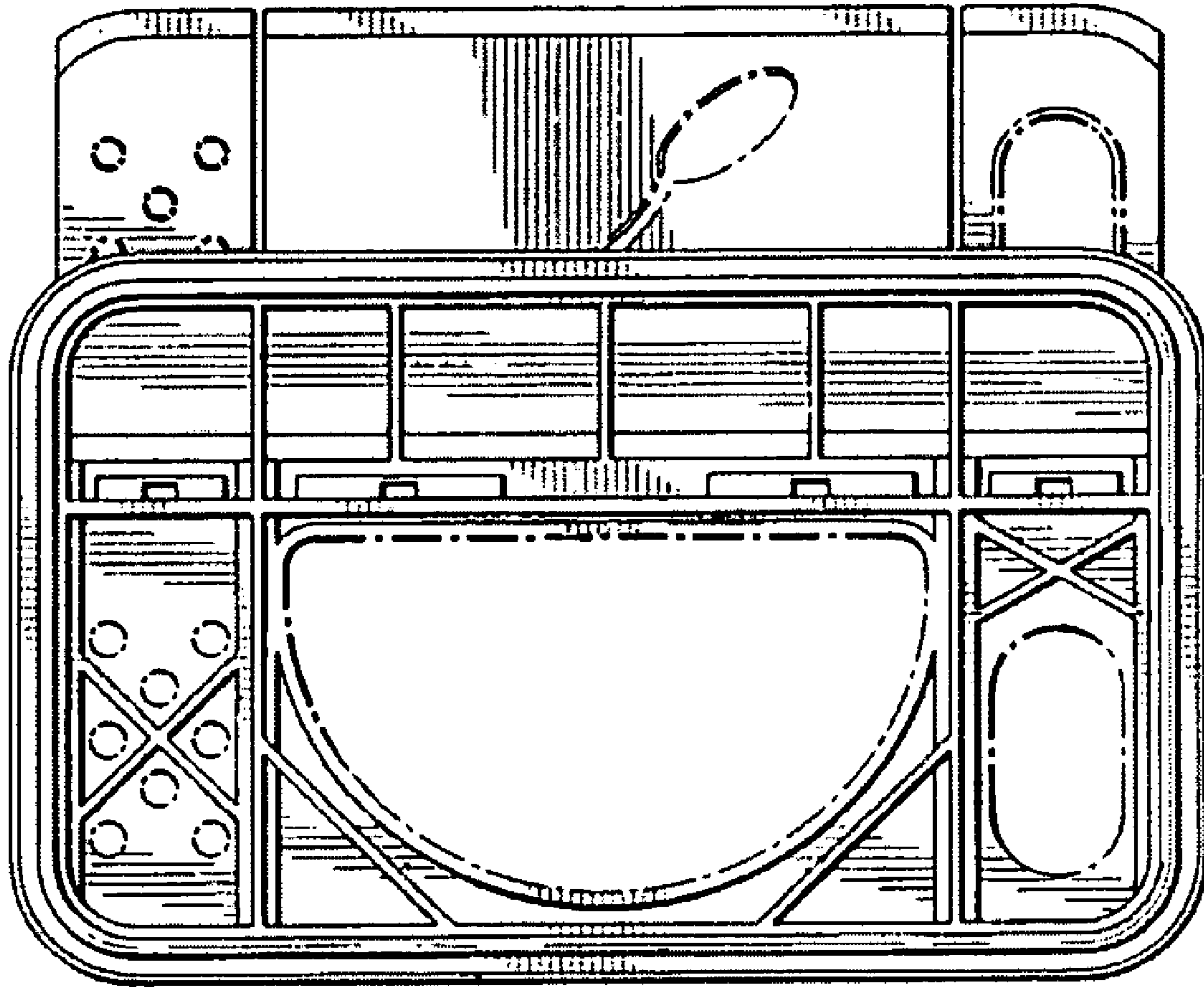
5,657,894 A	8/1997	Bowen	D473,792 S	4/2003	Diefenbach
D385,791 S	11/1997	Forsyth et al.	D474,402 S	5/2003	Baerenwald
D386,001 S	11/1997	Saffran	6,561,391 B1	5/2003	Baker
5,695,097 A	12/1997	Rollinghoff	6,575,323 B1	6/2003	Martin et al.
5,730,785 A	3/1998	Idol et al.	6,604,645 B1	8/2003	Vaupotic
D397,035 S	8/1998	Young et al.	D494,469 S	8/2004	Solowiejko
5,810,188 A	9/1998	Novakoski et al.	D495,256 S	8/2004	Solowiejko
5,897,036 A	4/1999	DeCoster et al.	D497,106 S	10/2004	Solowiejko et al.
D410,388 S	6/1999	Fisher et al.	6,821,239 B2	11/2004	Hierzer et al.
5,975,368 A	11/1999	Wood	6,877,631 B1	4/2005	Thompson et al.
6,068,153 A	5/2000	Young et al.	6,899,245 B1	5/2005	Nelson
6,196,412 B1	3/2001	Cattell	6,926,165 B2	8/2005	Conti
D442,086 S	5/2001	Mozes	6,988,642 B2	1/2006	Gallo, Jr. et al.
D446,722 S	8/2001	Morrow	7,021,482 B2	4/2006	Solowiejko
D446,772 S	8/2001	Chen et al.	7,063,230 B2	6/2006	Cicccone
D448,295 S	9/2001	Mozes	7,073,680 B2	7/2006	Boback et al.
D448,296 S	9/2001	Bried et al.	7,078,228 B2	7/2006	Lacey et al.
D448,668 S	10/2001	Baerenwald et al.	7,114,627 B2	10/2006	Solowiejko
6,299,033 B1	10/2001	VerWeyst et al.	7,118,003 B2	10/2006	Sellari et al.
D450,584 S	11/2001	Schmit et al.	7,134,567 B2	11/2006	Luburic
D450,586 S	11/2001	Kick	D538,664 S	3/2007	Solowiejko
6,341,720 B1	1/2002	Schmit et al.	D539,647 S	4/2007	Solowiejko
6,355,286 B2	3/2002	Deering et al.	7,207,457 B2	4/2007	Schwarz
D456,713 S	5/2002	Bried et al.	7,258,255 B2	8/2007	Vogel et al.
6,422,411 B1	7/2002	Gray	7,261,217 B2	8/2007	Solowiejko
D462,613 S	9/2002	Bried et al.	D567,582 S	4/2008	Blum et al.
D462,713 S	9/2002	Funayama et al.	2001/0035424 A1	11/2001	Combe et al.
6,450,393 B1	9/2002	Doumanidis et al.	2002/0084317 A1	7/2002	Stewart et al.
D464,567 S	10/2002	Baerenwald et al.	2006/0144874 A1	7/2006	Solowiejko
D464,886 S	10/2002	Bried et al.	2006/0175334 A1	8/2006	Schwarz
D465,732 S	11/2002	Kick	2006/0243735 A1	11/2006	Kline et al.
D466,012 S	11/2002	Baker	2006/0289541 A1	12/2006	Boback et al.
6,484,929 B2	11/2002	Sumpmann et al.	2007/0000887 A1	1/2007	Caldwell et al.
D466,408 S	12/2002	Baerenwald et al.	2007/0000953 A1	1/2007	Ranney
D467,801 S	12/2002	Baerenwald et al.	2007/0056972 A1	3/2007	Solowiejko
D470,765 S	2/2003	Baker	2007/0131639 A1	6/2007	Nakaya et al.



*Fig. 1*

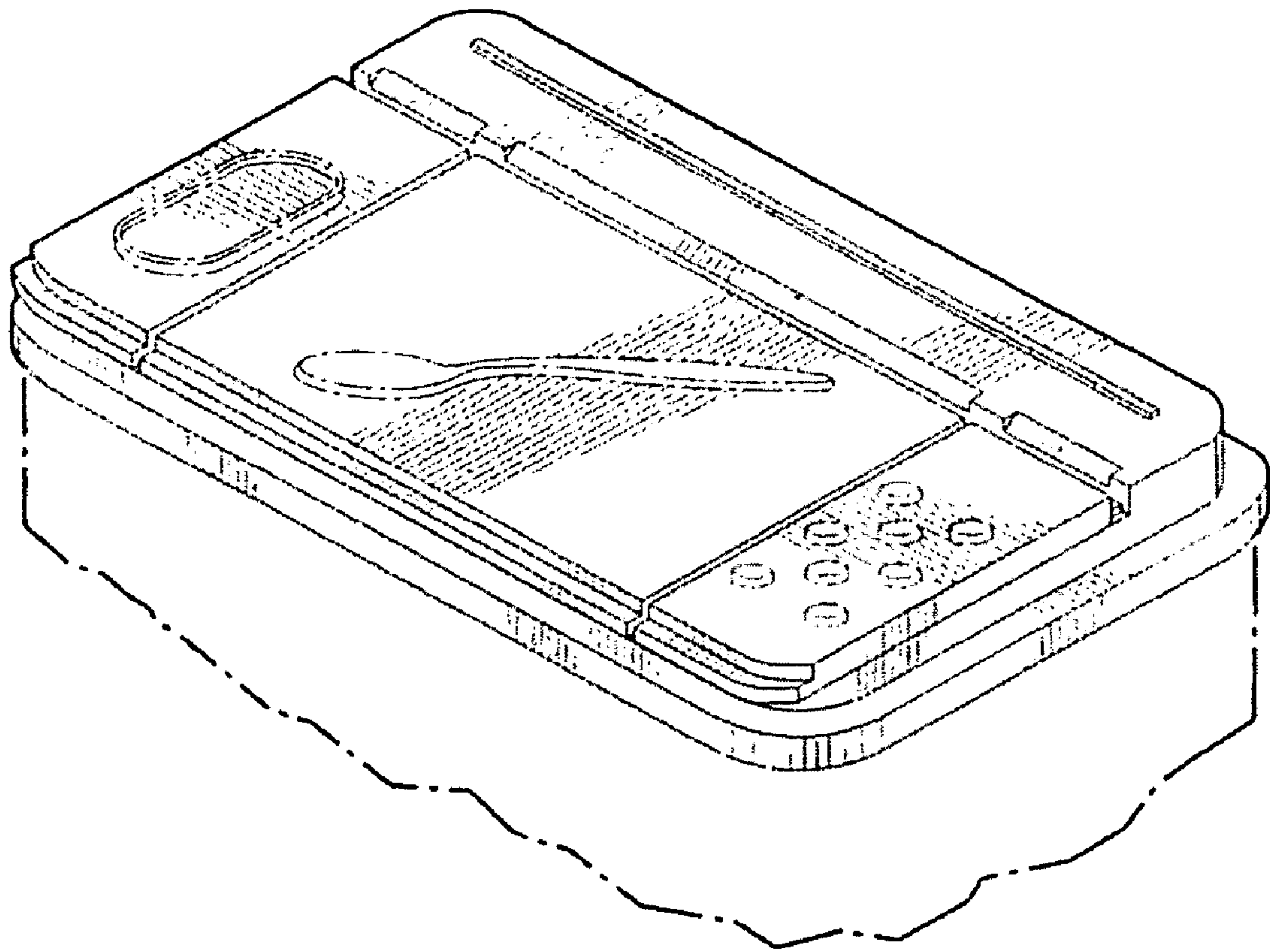


*Fig. 2*

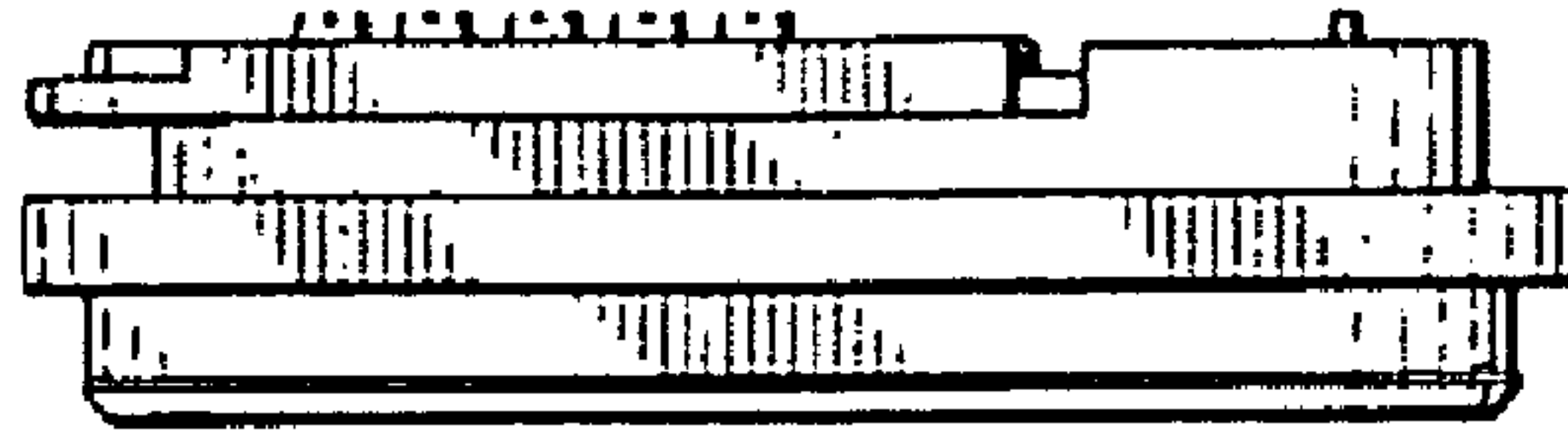


*Fig. 3*

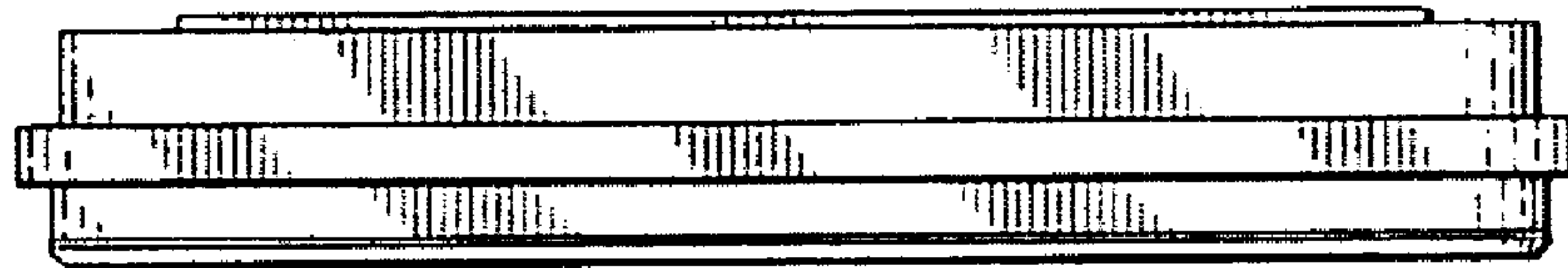




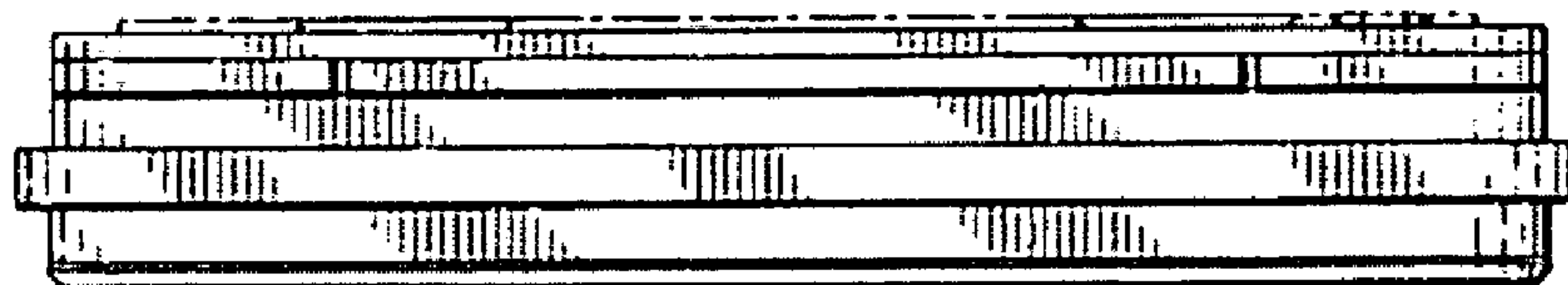
*Fig. 4*



*Fig. 5*



*Fig. 6*



*Fig. 7*