



US00D604160S

(12) **United States Design Patent**
DeMarco

(10) **Patent No.:** **US D604,160 S**

(45) **Date of Patent:** **** Nov. 17, 2009**

(54) **CONTAINER CAP**

(75) Inventor: **Jenny DeMarco**, Plano, TX (US)

(73) Assignee: **Mary Kay Inc.**, Dallas, TX (US)

(**) Term: **14 Years**

(21) Appl. No.: **29/321,866**

(22) Filed: **Jul. 24, 2008**

(51) **LOC (9) Cl.** **09-07**

(52) **U.S. Cl.** **D9/449; D9/447**

(58) **Field of Classification Search** D9/694,
D9/573, 560, 554, 529, 504, 503, 502, 456,
D9/454, 453, 451, 447, 445, 444, 435, 432,
D9/428, 425, 424, 418; D7/629, 396.2, 396.1,
D7/300; D3/323; D28/91, 82, 8.1; D26/6,
D26/23, 20; 431/291; 222/270, 142.9, 792,
222/266, 212, 226; 217/11; 206/520, 519,
206/508, 505

See application file for complete search history.

(56) **References Cited**

U.S. PATENT DOCUMENTS

1,124,523 A	1/1915	Reeser	222/480
3,042,273 A	7/1962	Bauer et al.	222/548
3,214,069 A	10/1965	Dike	222/498
3,337,083 A *	8/1967	Godshalk	220/288
3,388,841 A	6/1968	McHardy	222/548
3,419,198 A	12/1968	Petterson	222/541.2
3,429,481 A	2/1969	Navia	222/83
3,467,287 A	9/1969	Marchant et al.	222/480
3,476,287 A *	11/1969	Kinnavy	220/797
3,889,852 A	6/1975	Hedstrom	43/112
D247,848 S	5/1978	Croyle	D9/447
4,220,248 A	9/1980	Wilson et al.	215/235
4,261,486 A	4/1981	Bush et al.	222/517
4,299,339 A	11/1981	Giroux et al.	222/153.14
D263,805 S	4/1982	Seager	D9/450
4,358,032 A	11/1982	Libit	222/498
4,377,247 A	3/1983	Hazard et al.	222/517

4,380,307 A *	4/1983	Stillinger	222/142.9
4,457,458 A	7/1984	Heinol	222/498
D275,655 S	9/1984	Bainton	D9/438
4,500,016 A	2/1985	Funfstuck	222/153.14
4,519,517 A	5/1985	Walter	215/253
4,538,653 A	9/1985	Shea et al.	141/285

(Continued)

Primary Examiner—Susan Bennett Hattan

(74) *Attorney, Agent, or Firm*—Fulbright & Jaworski

(57) **CLAIM**

The ornamental design for a container cap, as shown and described.

DESCRIPTION

FIG. 1 is a top perspective view of my design comprising a container cap with multiple components illustrated with a fully assembled view and an exploded view;

FIG. 2 is a bottom perspective view illustrated with a fully assembled view and an exploded view;

FIG. 3 is a front view illustrated with a fully assembled view and an exploded view;

FIG. 4 is a back view illustrated with a fully assembled view and an exploded view;

FIG. 5 is a left side view illustrated with a fully assembled view and an exploded view;

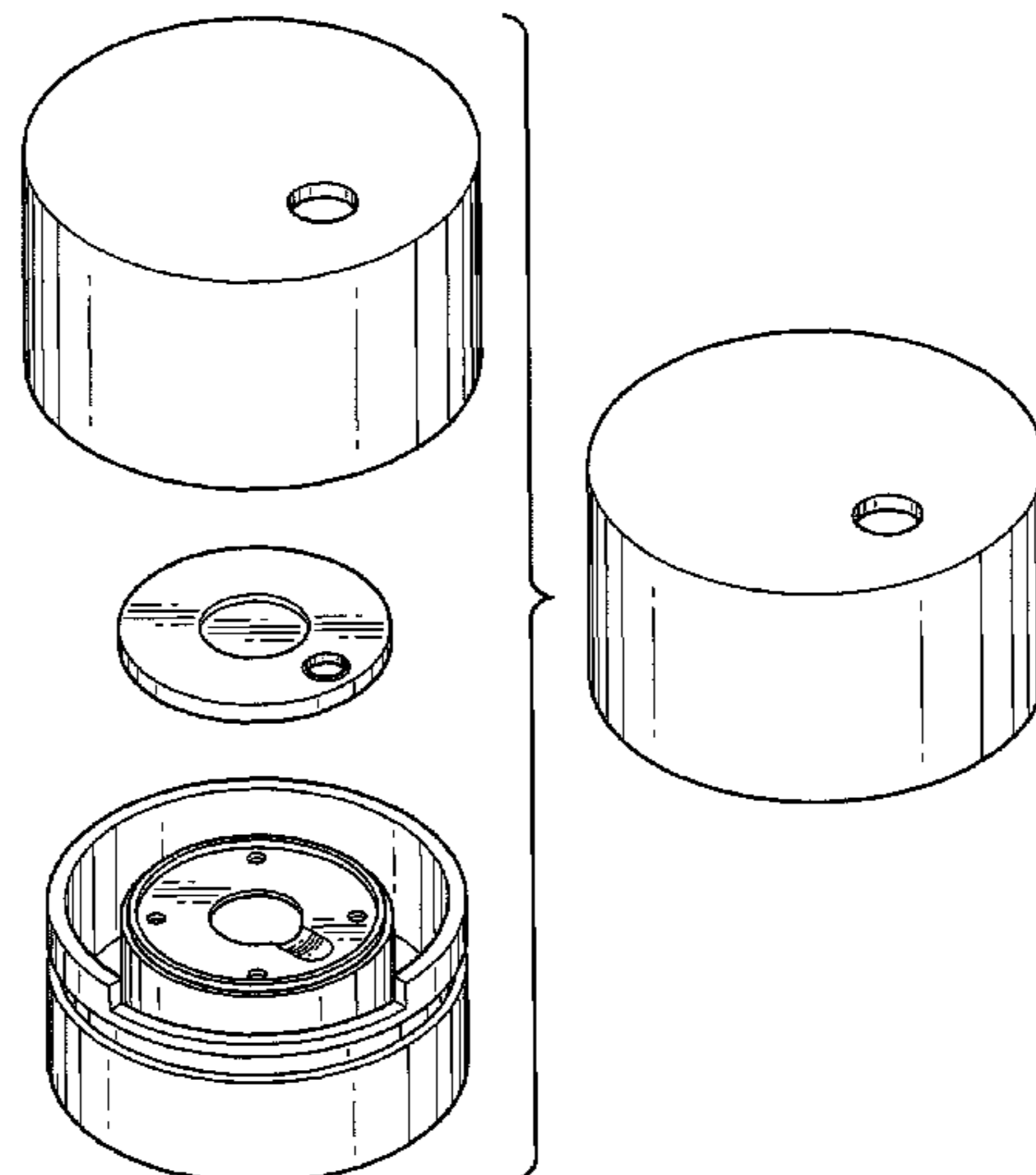
FIG. 6 is a right side view illustrated with a fully assembled view and an exploded view;

FIG. 7 is a top view; and,

FIG. 8 is a bottom view.

The dashed lines in FIGS. 2 and 8 represent environmental structure and form no part of the claimed design. All other surface(s) or portion(s) of my design not shown in the figures or otherwise described in the specification form no part of the claimed design.

1 Claim, 7 Drawing Sheets



US D604,160 S

U.S. PATENT DOCUMENTS

4,570,817 A	2/1986	Hambleton et al.	220/345.2	6,394,323 B2	5/2002	McClellan et al.	222/534
4,598,837 A	7/1986	Kreiseder et al.	220/253	6,405,867 B1	6/2002	Moore	206/459.1
4,613,063 A	9/1986	Wright	222/153.14	6,405,885 B1	6/2002	Elliott	215/237
4,625,898 A	12/1986	Hazard	222/517	6,419,825 B1	7/2002	Hahmann et al.	210/232
4,653,672 A	3/1987	Tuerk et al.	222/153.14	6,439,442 B1	8/2002	Markert et al.	222/547
4,666,068 A	5/1987	Bush	222/546	D468,639 S	1/2003	Wennerstrom et al.	D9/449
D291,536 S	8/1987	Crawford et al.	D9/440	D470,765 S	2/2003	Baker	D9/420
4,699,299 A	10/1987	Gach	222/480	D472,481 S *	4/2003	Groen	D10/60
4,793,502 A	12/1988	Beck	215/235	6,543,650 B1	4/2003	Sprick et al.	222/153.14
4,807,768 A	2/1989	Gach	215/216	6,564,978 B1	5/2003	Safian et al.	222/534
4,826,026 A	5/1989	Gach et al.	215/206	D475,618 S	6/2003	Barnes et al.	D9/414
4,852,770 A	8/1989	Sledge et al.	222/153.14	D476,559 S	7/2003	Norris et al.	D9/442
D306,701 S	3/1990	Beck	D9/446	D477,532 S	7/2003	Wong	D9/449
4,993,606 A	2/1991	Bolen et al.	222/546	D479,803 S	9/2003	Alguire et al.	D9/523
D315,308 S	3/1991	Van Kerkhoven	D9/450	6,615,473 B2	9/2003	McClellan et al.	29/434
D315,872 S	4/1991	Bixler	D9/446	6,622,895 B2	9/2003	McClellan et al.	222/570
5,005,737 A	4/1991	Rohr	222/212	6,691,394 B1	2/2004	McClellan	29/434
5,007,555 A	4/1991	Beck	220/254.3	6,698,590 B2	3/2004	Moore	206/459.1
5,040,694 A	8/1991	Gambello	220/255	6,702,161 B2	3/2004	Adams et al.	222/521
D320,746 S	10/1991	Bolen et al.	D9/446	D488,383 S	4/2004	Kudo et al.	D9/522
5,058,778 A	10/1991	Weinstein	222/209	6,757,957 B2	7/2004	McClellan et al.	29/453
5,062,542 A	11/1991	Morton	220/269	6,766,926 B1	7/2004	Elchert	222/498
5,065,911 A	11/1991	Rohr et al.	222/517	D493,721 S *	8/2004	Puigbo	D9/504
5,105,959 A	4/1992	Kinsley	215/227	6,783,031 B2	8/2004	Robbins et al.	222/111
D328,710 S	8/1992	Deflander	D9/529	D497,802 S	11/2004	Hagerty et al.	D9/417
D328,711 S	8/1992	Deflander	D9/524	6,854,619 B2	2/2005	Knickerbocker	222/1
D334,538 S	4/1993	Bolen et al.	D9/447	D508,402 S	8/2005	Hierzer et al.	D9/449
D334,709 S	4/1993	Fleming et al.	D9/449	D508,411 S	8/2005	Lamb et al.	D9/689
5,199,617 A	4/1993	Bennet	222/498	D509,137 S	9/2005	Hierzer et al.	D9/447
5,211,300 A	5/1993	Hsing et al.	215/11.4	D509,138 S	9/2005	Hierzer et al.	D9/447
5,213,235 A	5/1993	Miranda	222/107	D509,428 S	9/2005	Hierzer et al.	D9/447
5,213,238 A	5/1993	Martin et al.	222/480	D509,429 S	9/2005	Hierzer et al.	D9/447
D336,430 S	6/1993	Maguire et al.	D9/448	D509,430 S	9/2005	Hierzer et al.	D9/447
D340,188 S	10/1993	Forsyth	D9/449	D509,431 S	9/2005	Hierzer et al.	D9/447
D341,225 S	11/1993	Lang et al.	D28/76	D509,432 S	9/2005	Hierzer et al.	D9/447
D349,647 S	8/1994	Moffitt	D9/435	D509,735 S	9/2005	Hierzer et al.	D9/447
5,356,017 A	10/1994	Rohr et al.	215/216	D509,736 S	9/2005	Hierzer et al.	D9/447
5,358,130 A	10/1994	Mengua et al.	215/238	D509,737 S	9/2005	Hierzer et al.	D9/447
D352,457 S	11/1994	Hughes et al.	D9/447	D512,635 S	12/2005	Hierzer et al.	D9/447
5,361,920 A	11/1994	Nozawa et al.	215/237	6,988,642 B2	1/2006	Gallo et al.	222/506
5,366,115 A	11/1994	Kersten et al.	222/105	D515,917 S	2/2006	Hierzer et al.	D9/447
5,379,926 A	1/1995	Mueller et al.	222/507	D515,918 S	2/2006	Hierzer et al.	D9/447
D357,200 S *	4/1995	Thomas	D10/103	D515,919 S	2/2006	Hierzer et al.	D9/447
D359,905 S	7/1995	Molo	D9/447	D516,910 S	3/2006	Bresler	D9/447
5,437,383 A	8/1995	Stull	215/235	D518,712 S	4/2006	Hierzer et al.	D9/447
5,489,035 A	2/1996	Fuchs	215/235	D518,713 S	4/2006	Hierzer et al.	D9/447
5,507,419 A	4/1996	Martin et al.	222/480	D518,714 S	4/2006	Hierzer et al.	D9/447
5,520,307 A	5/1996	Miller et al.	221/2	D518,715 S	4/2006	Hierzer et al.	D9/447
D374,399 S	10/1996	Neveras et al.	D9/447	D527,262 S *	8/2006	Cooney	D9/454
5,566,850 A	10/1996	Forsyth et al.	220/253	D529,800 S	10/2006	Liebe	D9/449
5,601,213 A	2/1997	Daniello	222/456	D530,202 S	10/2006	Herald et al.	D9/449
D385,791 S	11/1997	Forsyth et al.	D9/447	7,128,227 B2	10/2006	Skillin et al.	215/235
D389,761 S *	1/1998	Thomas	D10/103	D533,063 S	12/2006	Lee et al.	D9/449
5,730,322 A	3/1998	Iba et al.	222/42	D533,074 S	12/2006	Mongeon et al.	D9/687
D407,976 S	4/1999	Ekkert	D9/449	D535,564 S	1/2007	Toth et al.	D9/522
5,913,435 A	6/1999	Fuchs	215/237	D538,161 S	3/2007	Smith et al.	D9/449
5,927,556 A	7/1999	Mooney et al.	222/153.14	7,201,288 B2	4/2007	Von Ronn et al.	220/253
5,960,972 A	10/1999	Larguia	215/274	D548,086 S	8/2007	Conway et al.	D9/732
5,975,354 A	11/1999	Goncalves	222/39	D550,044 S *	9/2007	Curtin et al.	D7/629
D418,363 S	1/2000	Barnes et al.	D7/392	D567,084 S *	4/2008	Batton et al.	D9/454
6,089,411 A	7/2000	Baudin et al.	222/212	7,374,053 B2	5/2008	Herald et al.	215/237
D443,518 S	6/2001	Goettner	D9/530	D587,581 S *	3/2009	DeMarco et al.	D9/454
6,241,128 B1	6/2001	McClellan et al.	222/212	2003/0042331 A1	3/2003	Lu	239/436
6,244,470 B1	6/2001	Harley-Wilmot	222/153.14	2004/0003489 A1 *	1/2004	McClellan et al.	29/428
D444,387 S	7/2001	Adachi et al.	D9/529	2005/0082290 A1	4/2005	Fask et al.	220/254.1
6,283,339 B1 *	9/2001	Morrow	222/452	2005/0205607 A1	9/2005	Hierzer et al.	222/153.1
6,302,301 B1	10/2001	Vette	222/142.6	2006/0037886 A1	2/2006	Thiebaut	206/581
6,315,170 B1	11/2001	Thomson et al.	222/361	2006/0237388 A1	10/2006	Kick	215/235
6,332,551 B1	12/2001	Copeland	220/262	2006/0249473 A1	11/2006	Kunz	215/235
6,336,460 B2	1/2002	Yuhara	132/295	2007/0187406 A1	8/2007	Nobile et al.	220/254.4
6,382,476 B1	5/2002	Randall et al.	222/545	2007/0199962 A1	8/2007	Mengeu	222/575

* cited by examiner

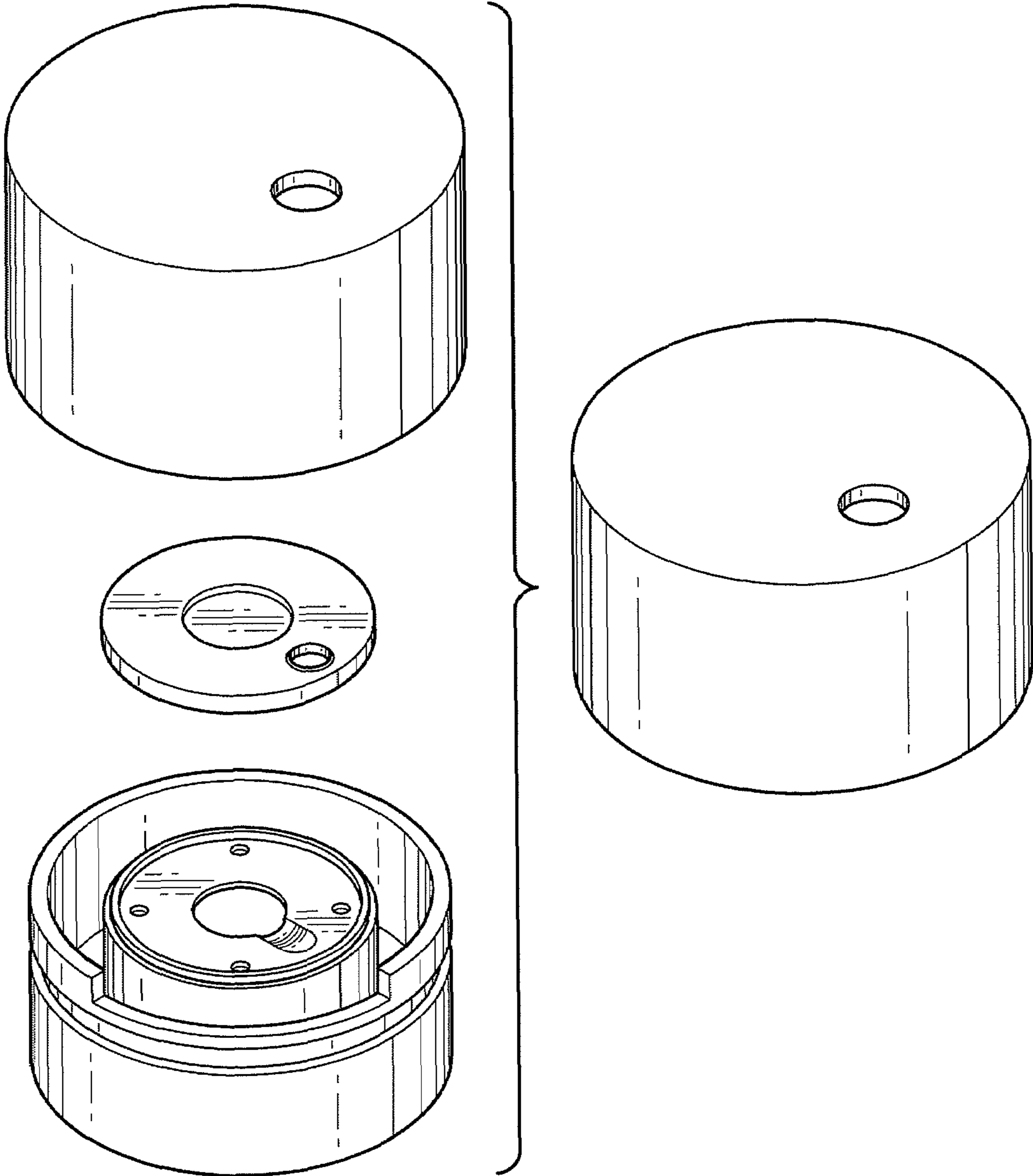


FIG. 1

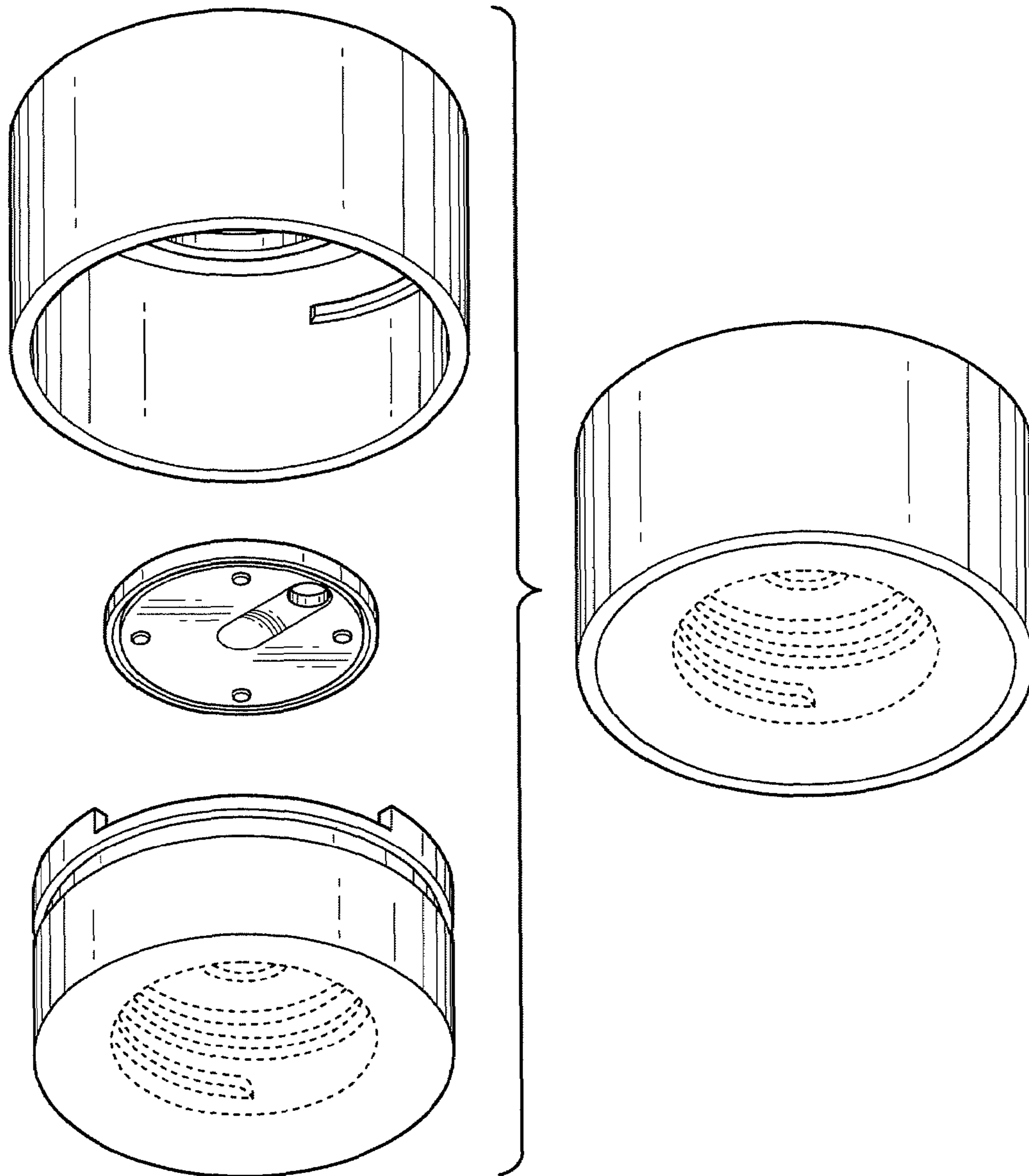


FIG. 2

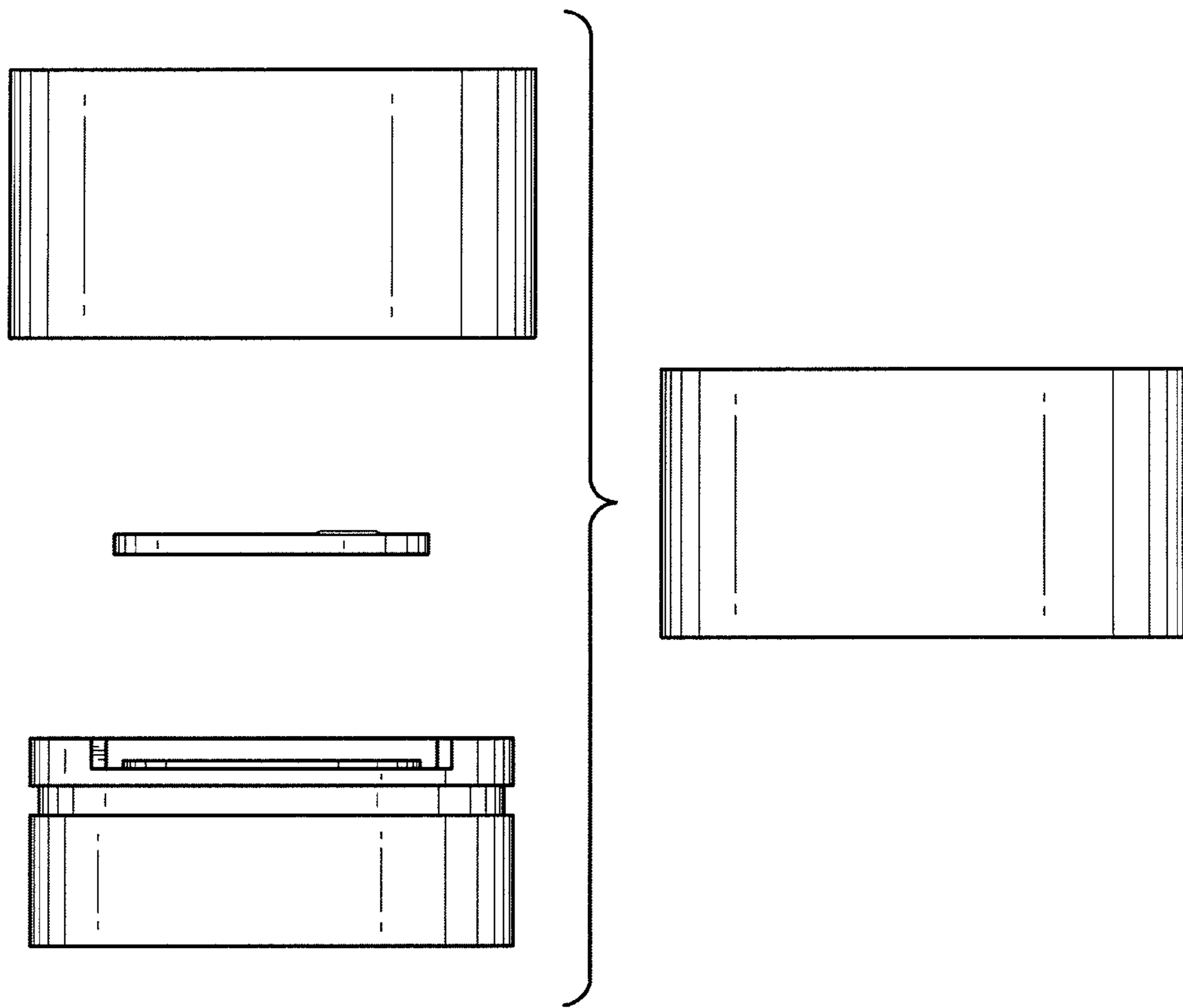


FIG. 3

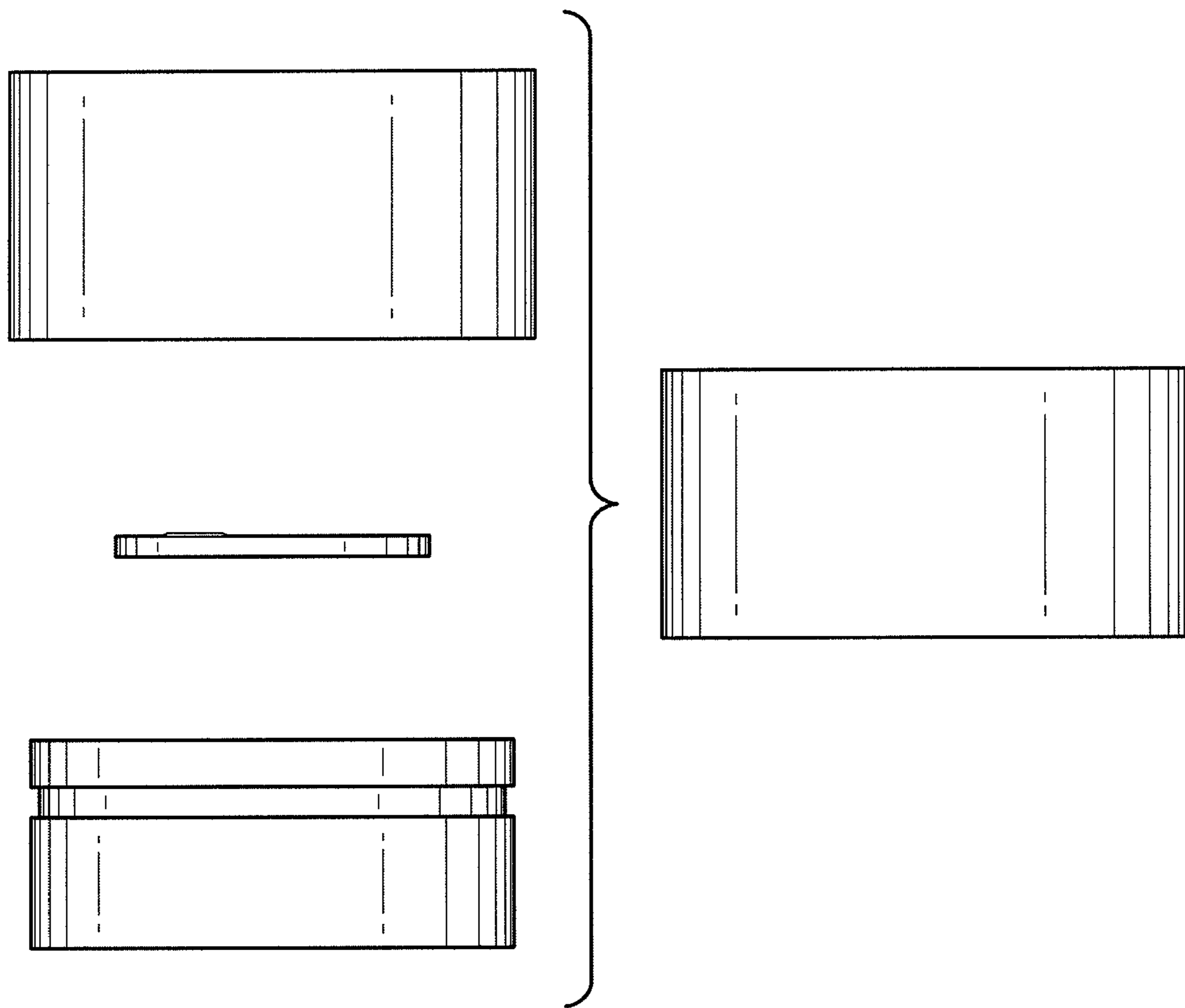


FIG. 4

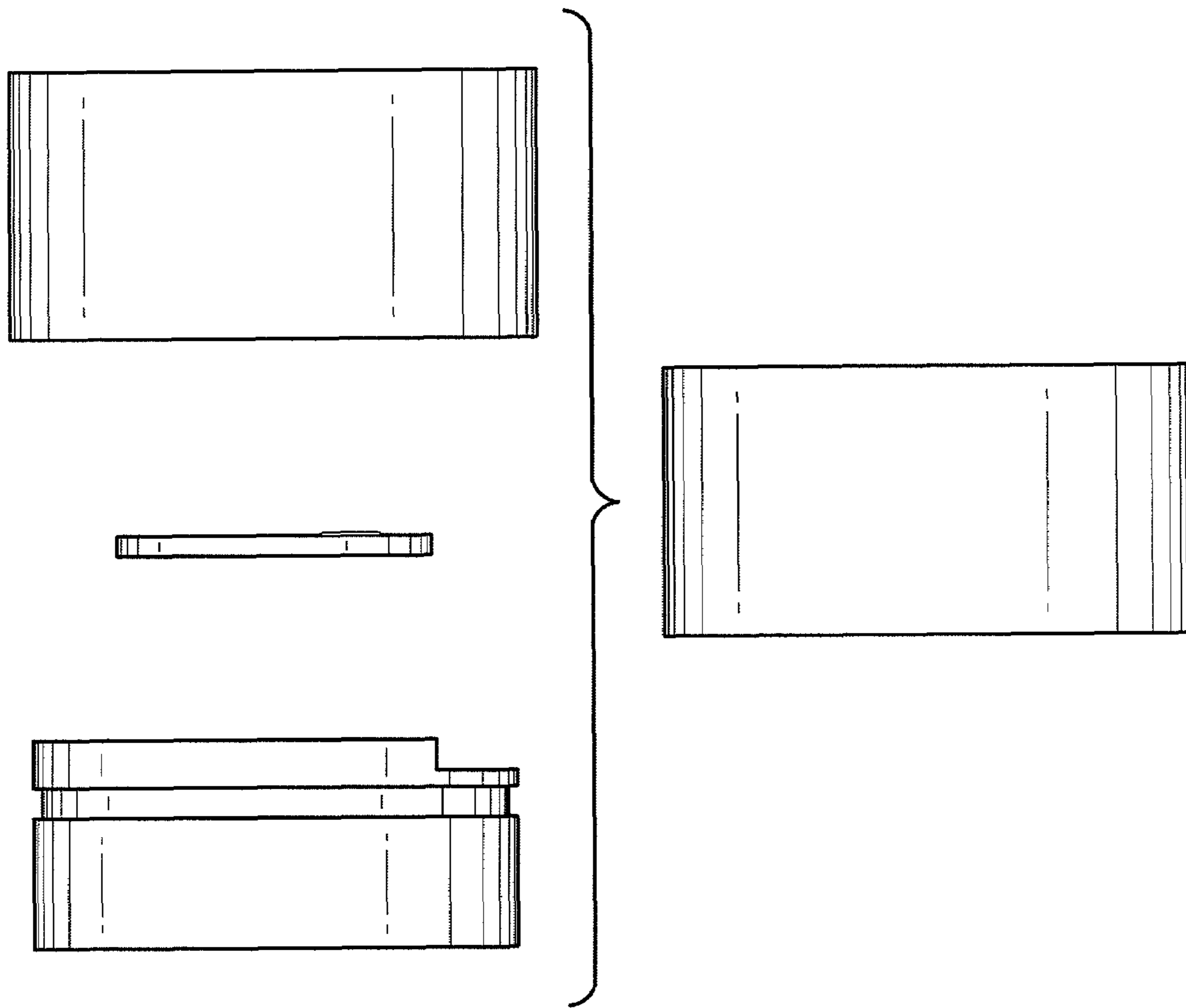


FIG. 5

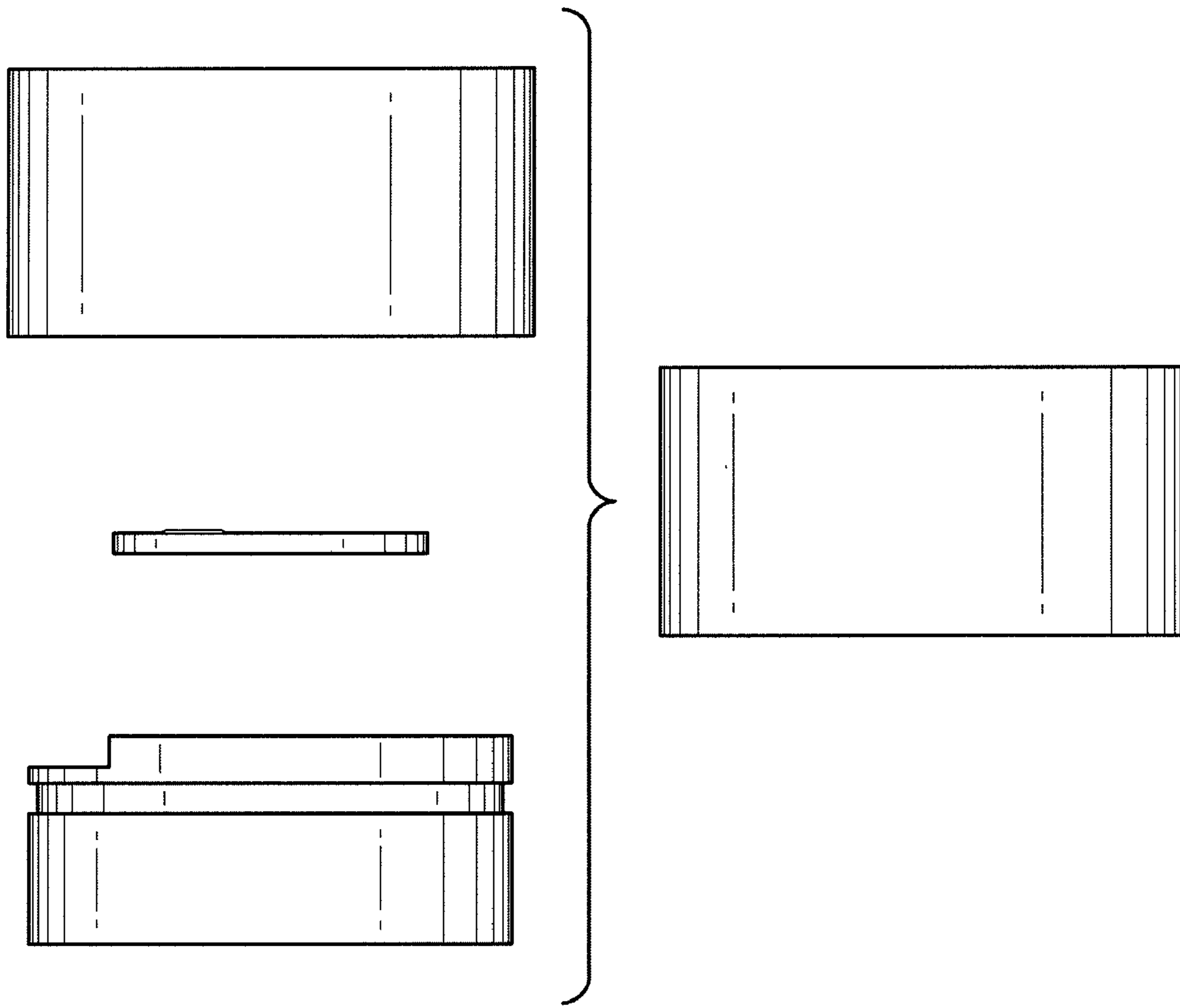


FIG. 6

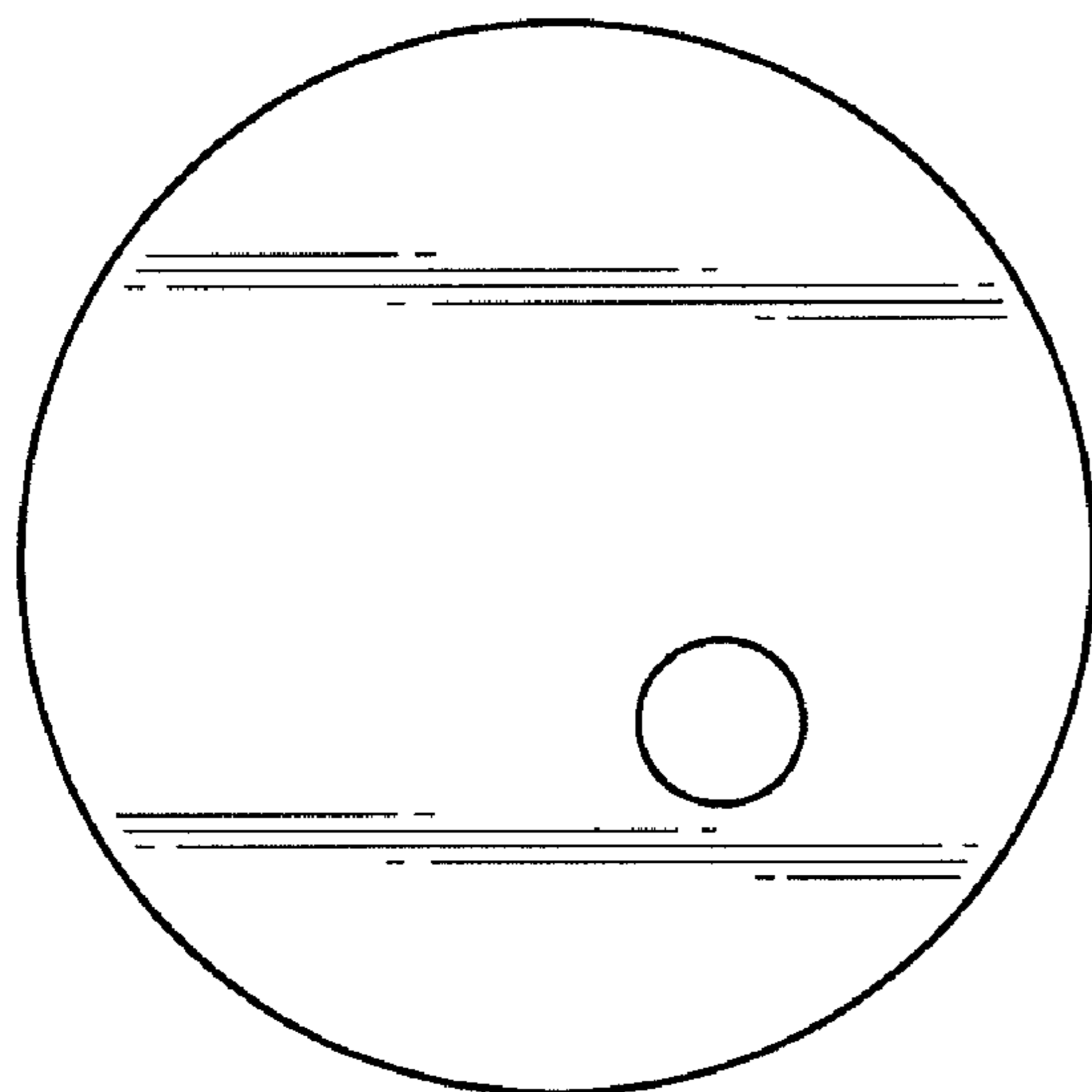


FIG. 7

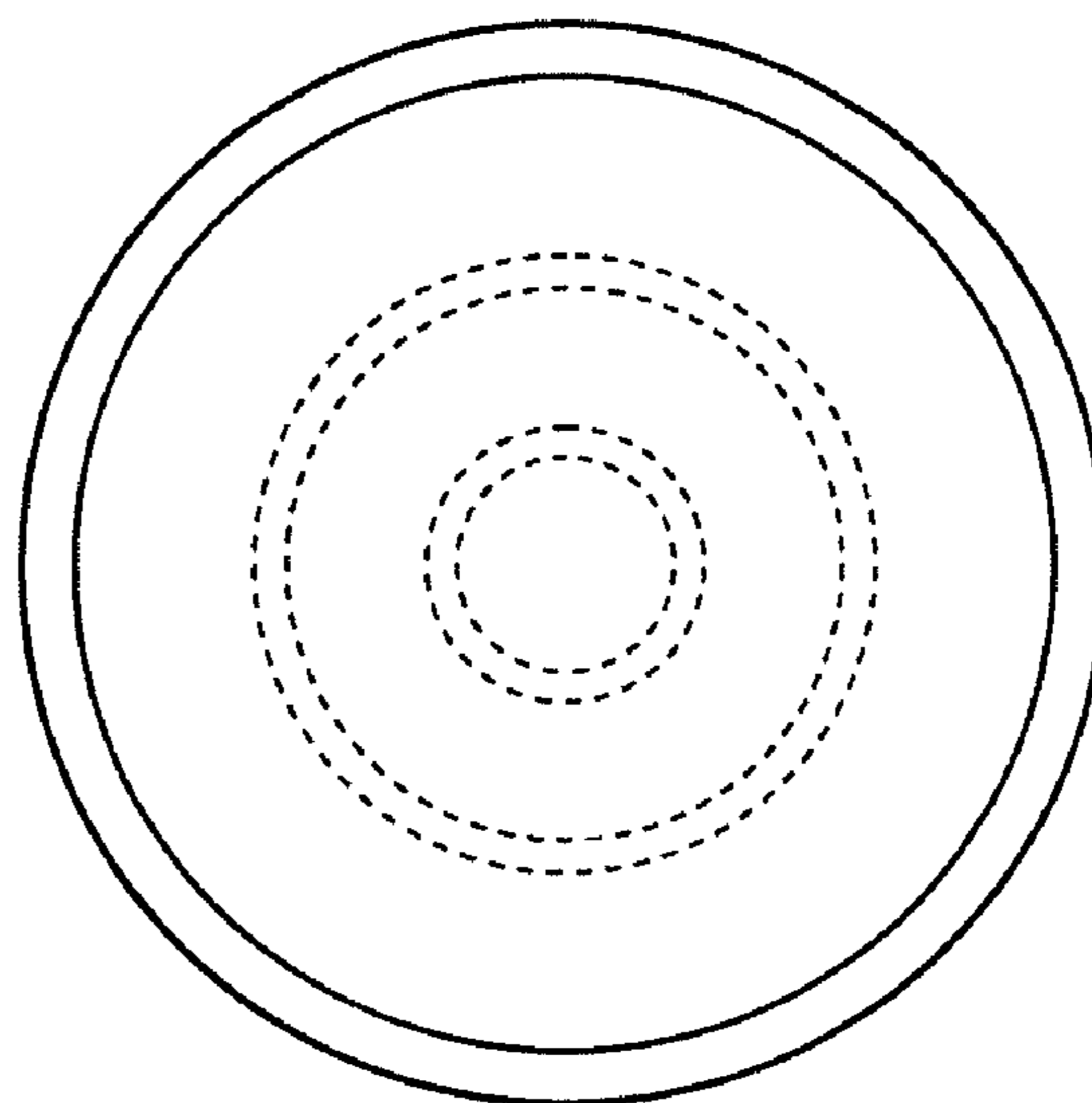


FIG. 8