



US00D604158S

(12) **United States Design Patent**
Chodosh

(10) **Patent No.:** **US D604,158 S**

(45) **Date of Patent:** **** Nov. 17, 2009**

(54) **SODA FLOAT DEVICE**

(76) Inventor: **David Jeffrey Chodosh**, 1815 5th St.,
Manhattan Beach, CA (US) 90266

(**) Term: **14 Years**

(21) Appl. No.: **29/332,537**

(22) Filed: **Feb. 18, 2009**

(51) **LOC (9) Cl.** **09-07**

(52) **U.S. Cl.** **D9/436**

(58) **Field of Classification Search** D9/902,
D9/763, 516, 453, 447, 438, 435, 440, 436,
D9/434; D7/510, 396.2; D28/7; D24/224,
D24/130, 112; D23/206; D10/101; 604/228;
222/82, 566, 539, 529, 526, 521, 478, 321.6,
222/153.13, 158; 221/63, 45; 220/716, 270;
215/257; 206/219

See application file for complete search history.

(56) **References Cited**

U.S. PATENT DOCUMENTS

D178,423	S	*	7/1956	Peters	D9/745
3,241,724	A	*	3/1966	Lerner	222/146.3
3,581,953	A	*	6/1971	Donoghue	222/207
3,651,990	A	*	3/1972	Cernei	222/94
D224,203	S	*	7/1972	Donoghue	D9/547
4,105,142	A	*	8/1978	Morris, Jr.	222/158
D272,856	S	*	2/1984	Percarpio	D24/224
D289,720	S	*	5/1987	Maher	D7/396.2
5,330,081	A	*	7/1994	Davenport	222/207
2007/0227919	A1	*	10/2007	True	206/219

* cited by examiner

Primary Examiner—Susan Bennett Hattan

(74) *Attorney, Agent, or Firm*—David A. Belasco; Belasco
Jacobs & Townsley, LLP

(57) **CLAIM**

I claim the ornamental design for the soda float device, as
shown and described.

DESCRIPTION

FIG. 1 is a perspective view of my new soda float device
installed on a soft drink bottle;

FIG. 2 is a front side elevational view thereof;

FIG. 3 is a top view thereof;

FIG. 4 is a right side elevational view thereof;

FIG. 5 is a left side elevational view thereof;

FIG. 6 is a back side elevational view thereof;

FIG. 7 is a bottom view thereof;

FIG. 8 is an exploded front side elevational view thereof;

FIG. 9 is an upward looking inside view of the lid portion
thereof;

FIG. 10 is a top view of the reservoir portion thereof;

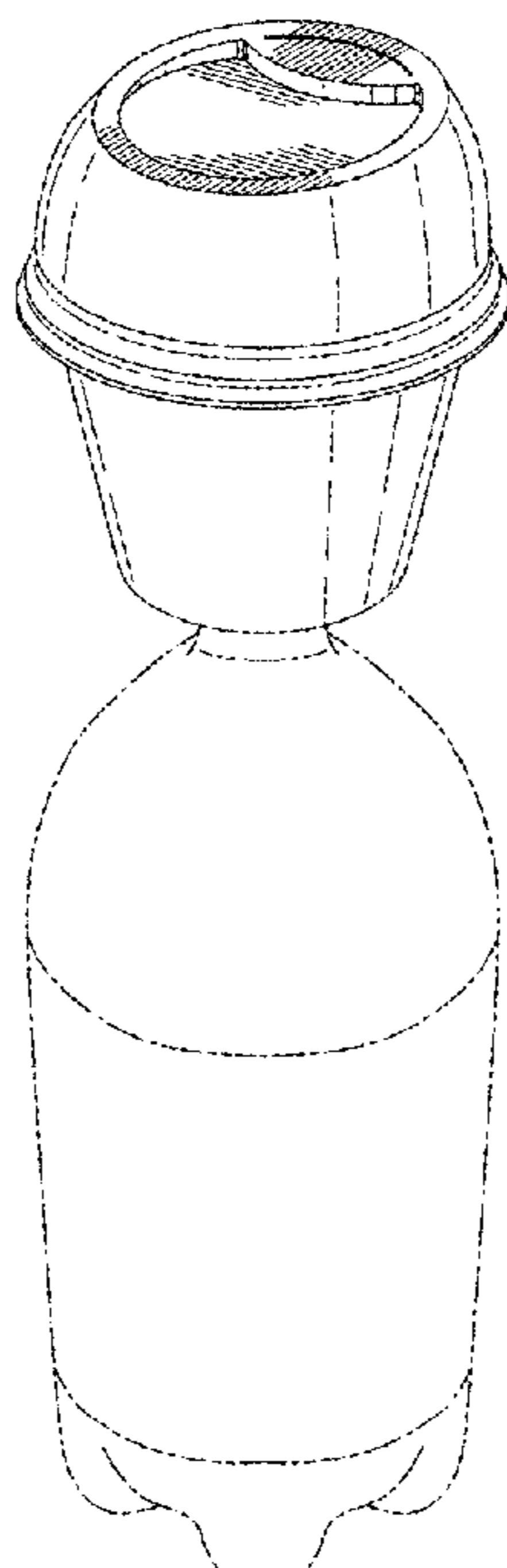
FIG. 11 is a partially cut away front side elevational view
thereof;

FIG. 12 is a left side cross-sectional view thereof taken along
the line 12-12; and,

FIG. 13 is a perspective exploded view thereof illustrating a
shrink wrap coating on the reservoir portion.

The broken lines in the drawings depict environmental sub-
ject matter only and form no part of the claimed design.

1 Claim, 6 Drawing Sheets



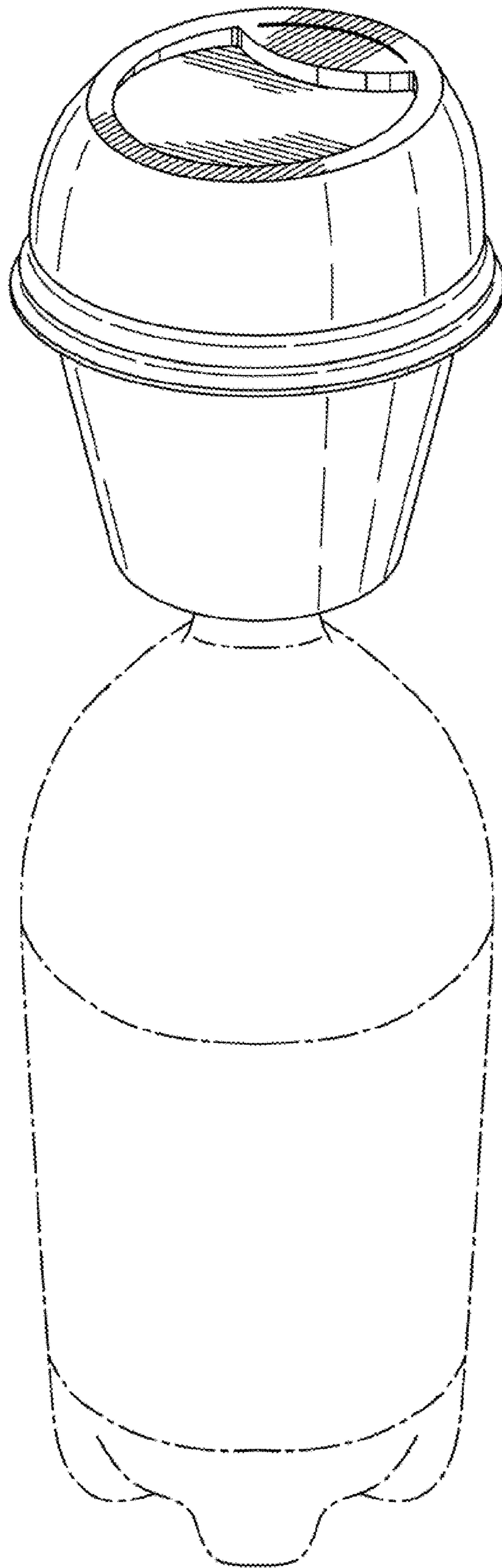


FIG. 1

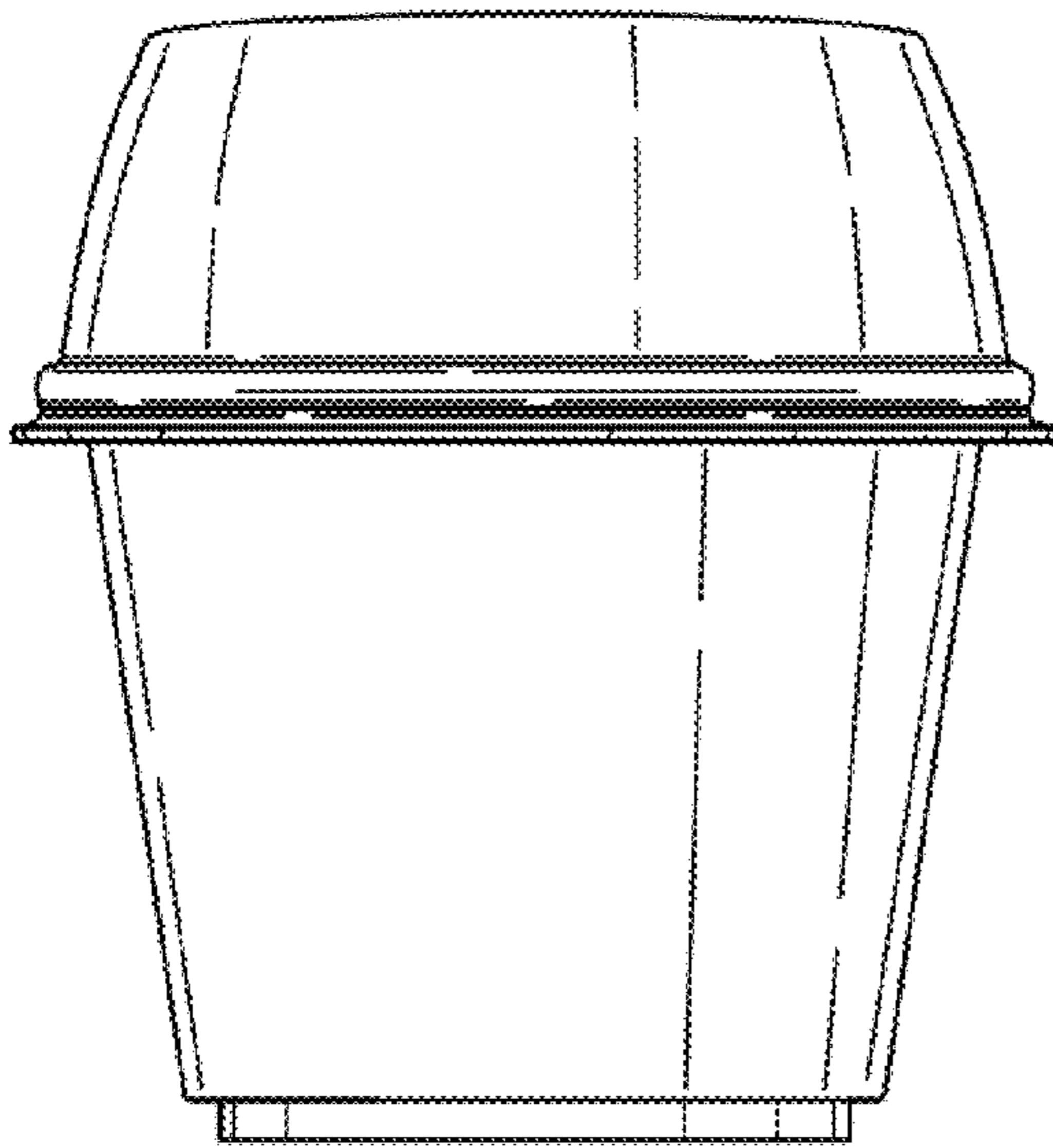


FIG. 2

FIG. 3

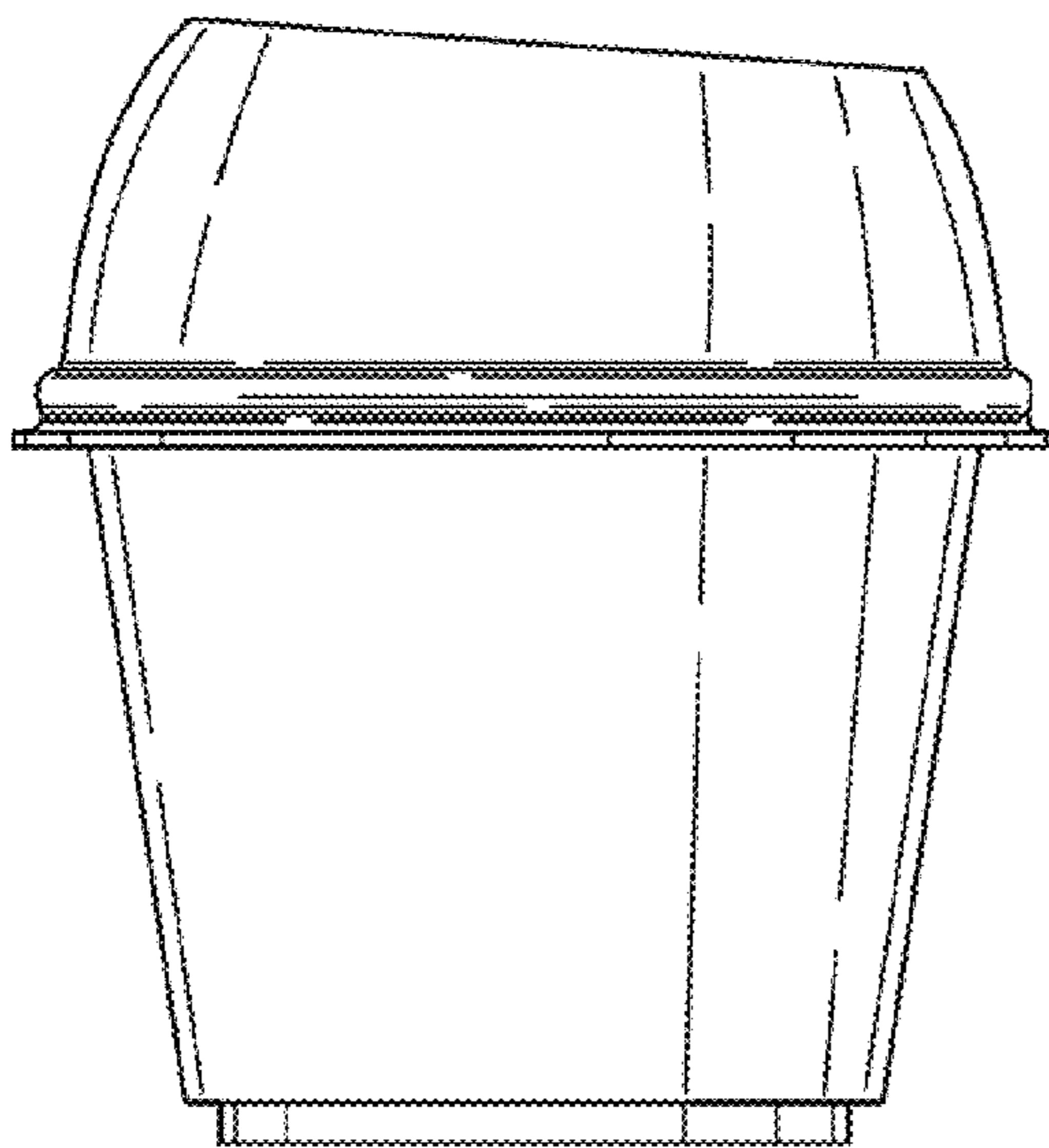
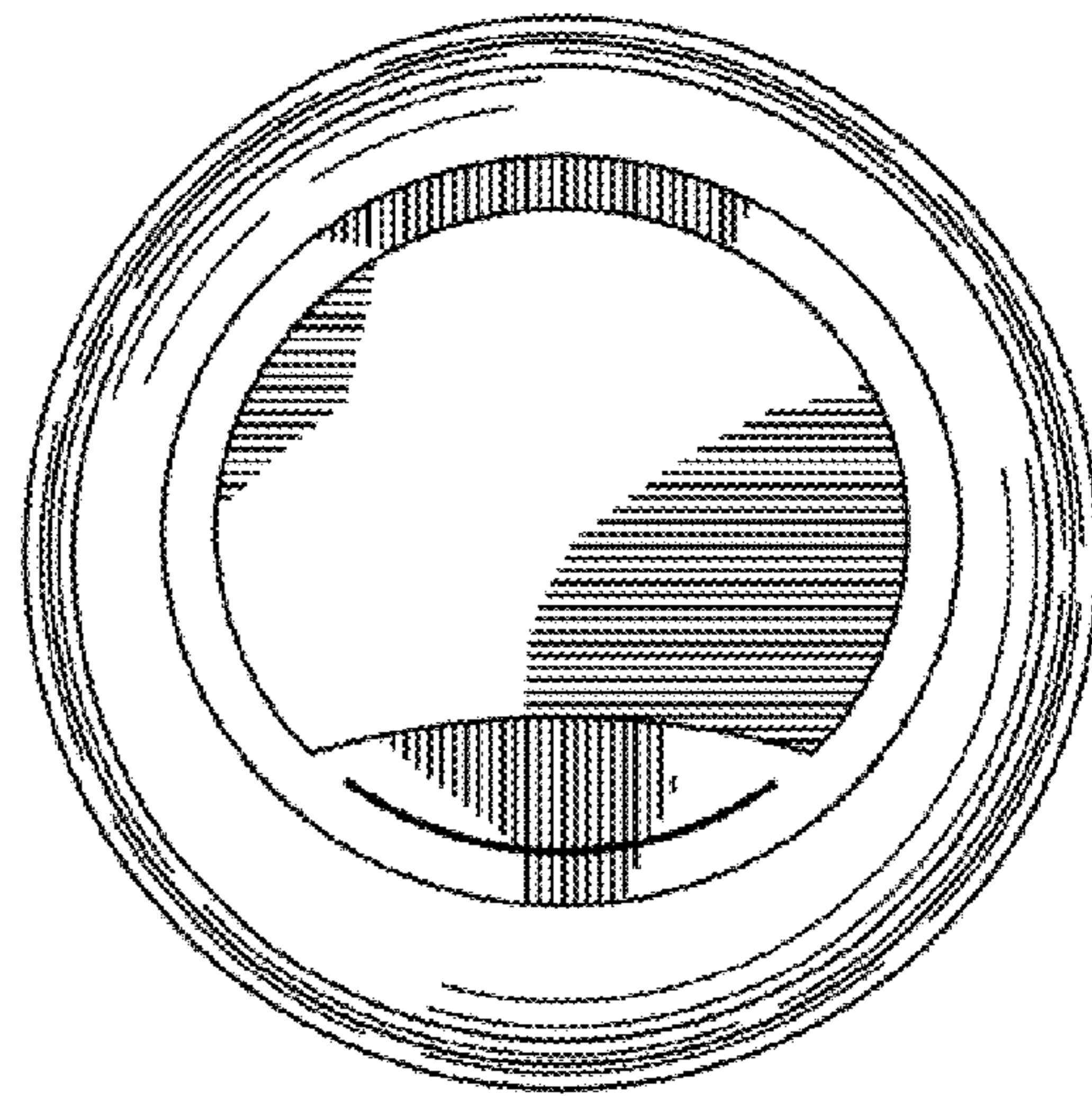


FIG. 4

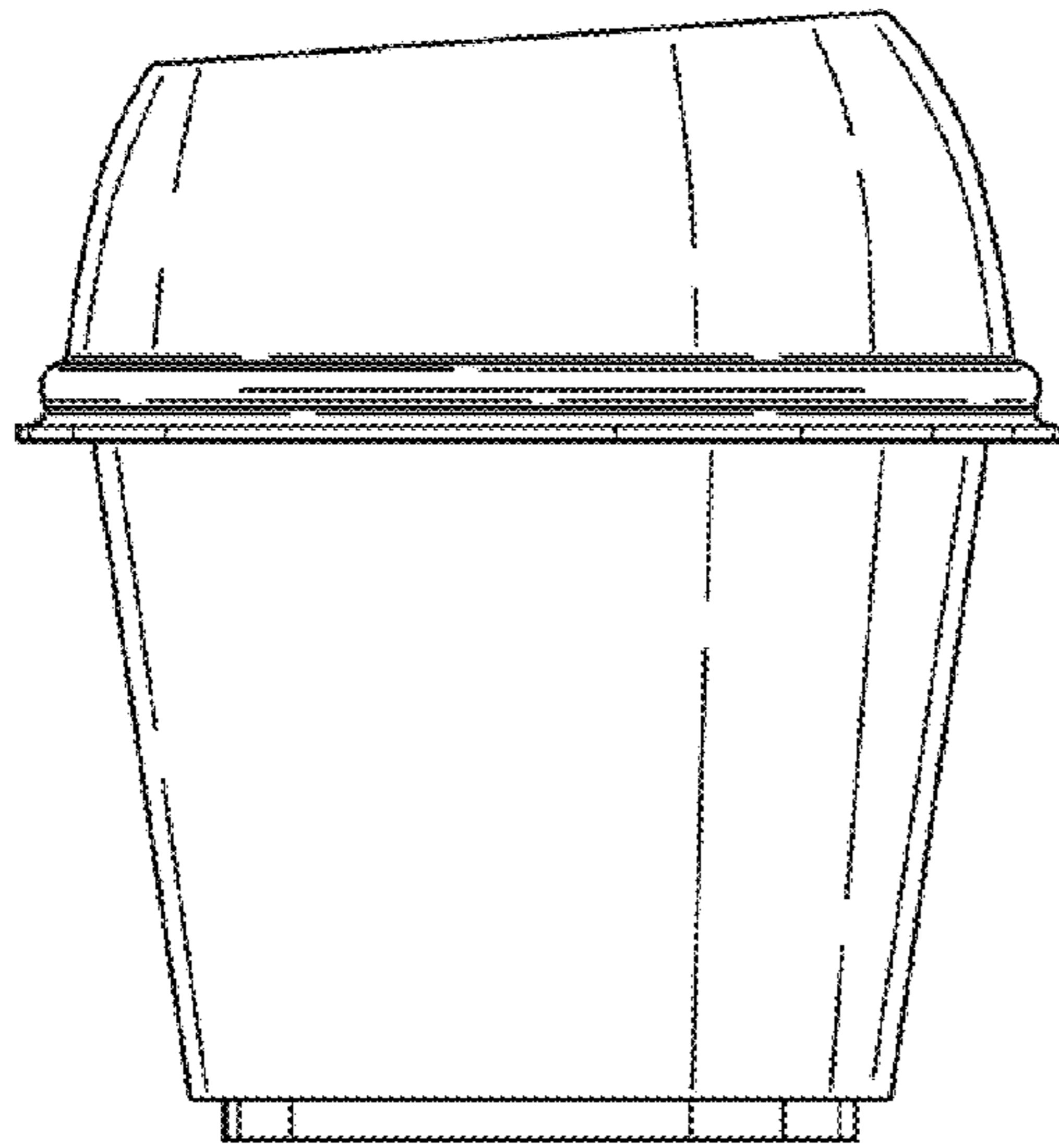


FIG. 5

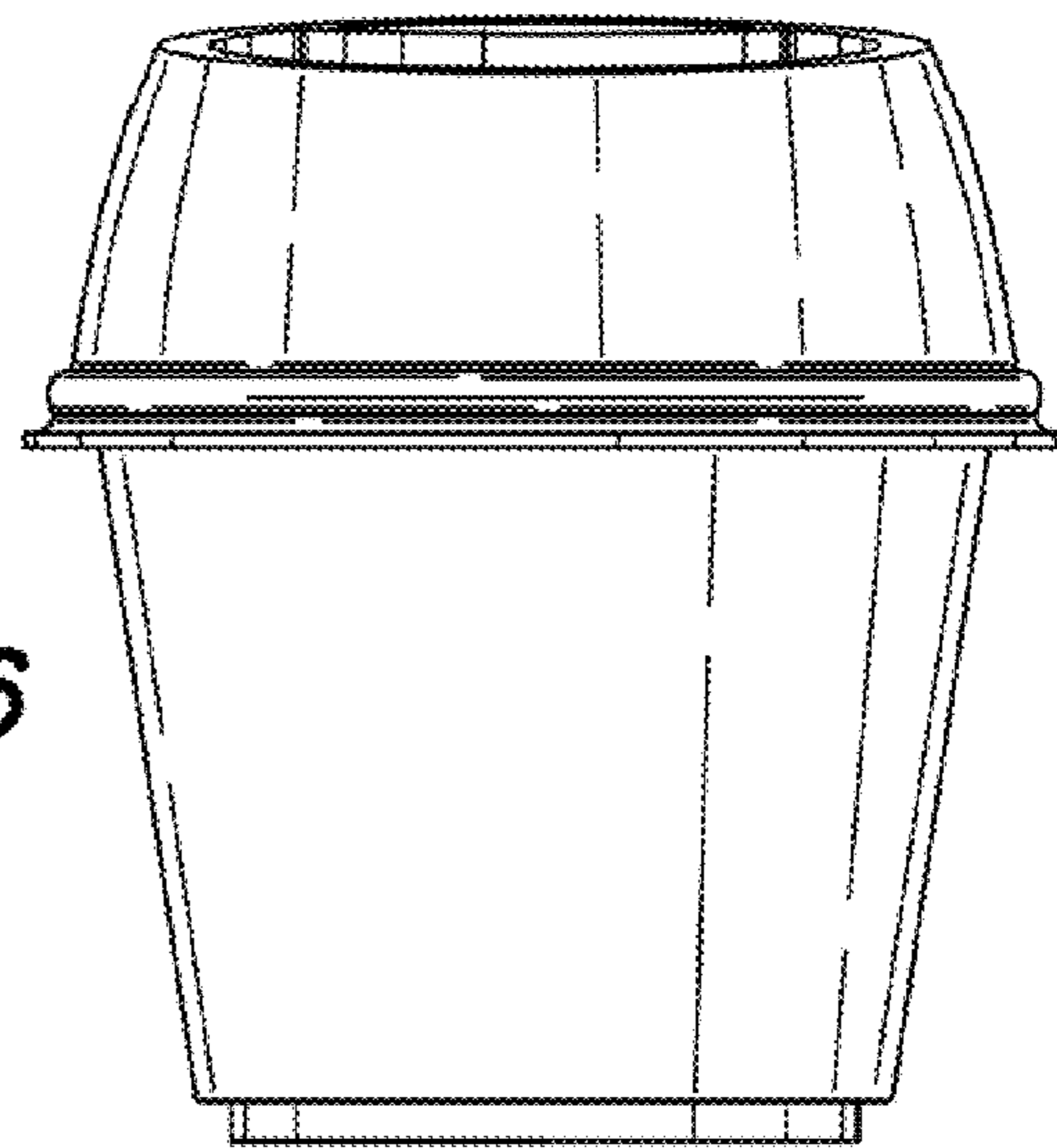


FIG. 6

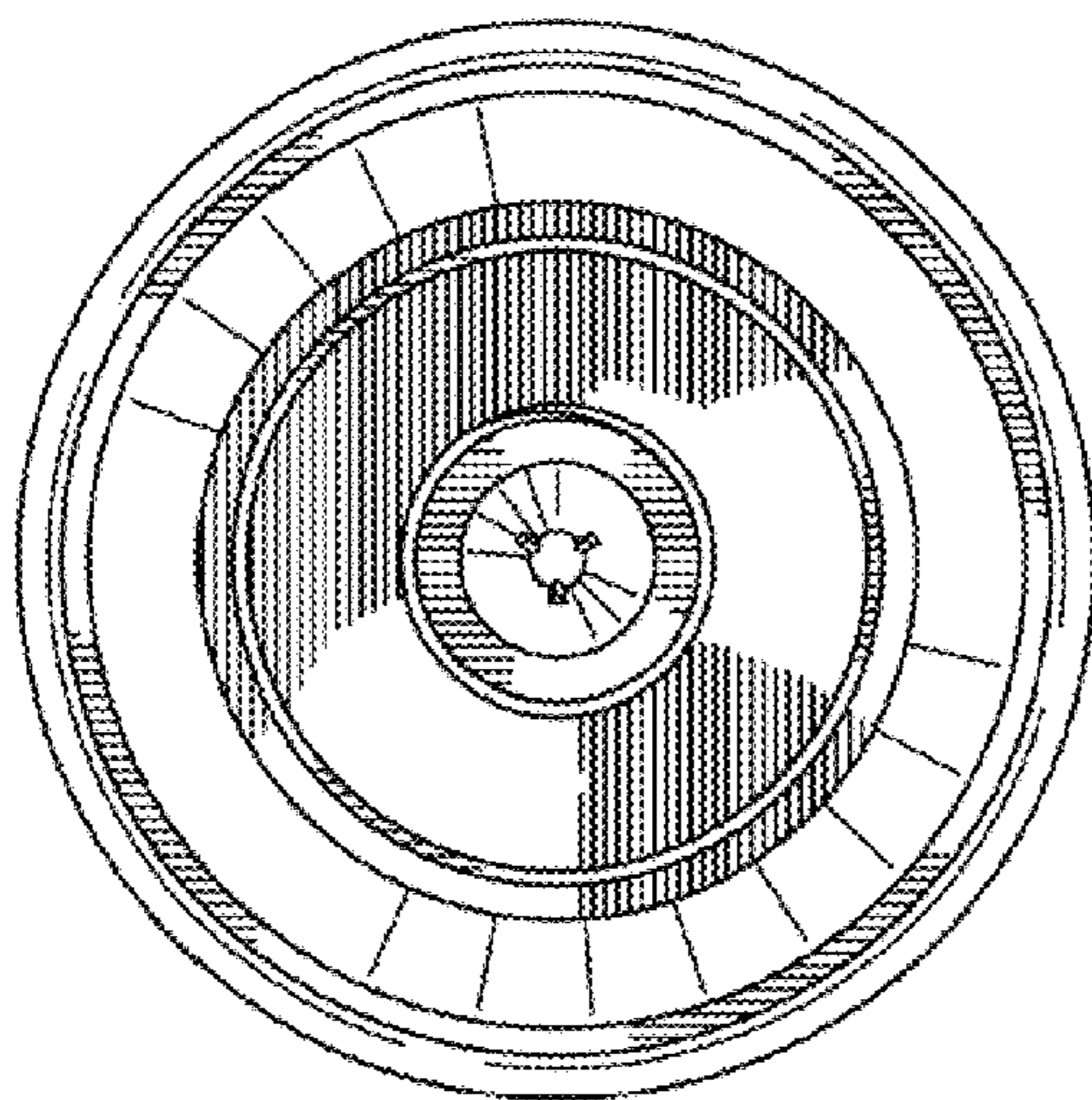


FIG. 7

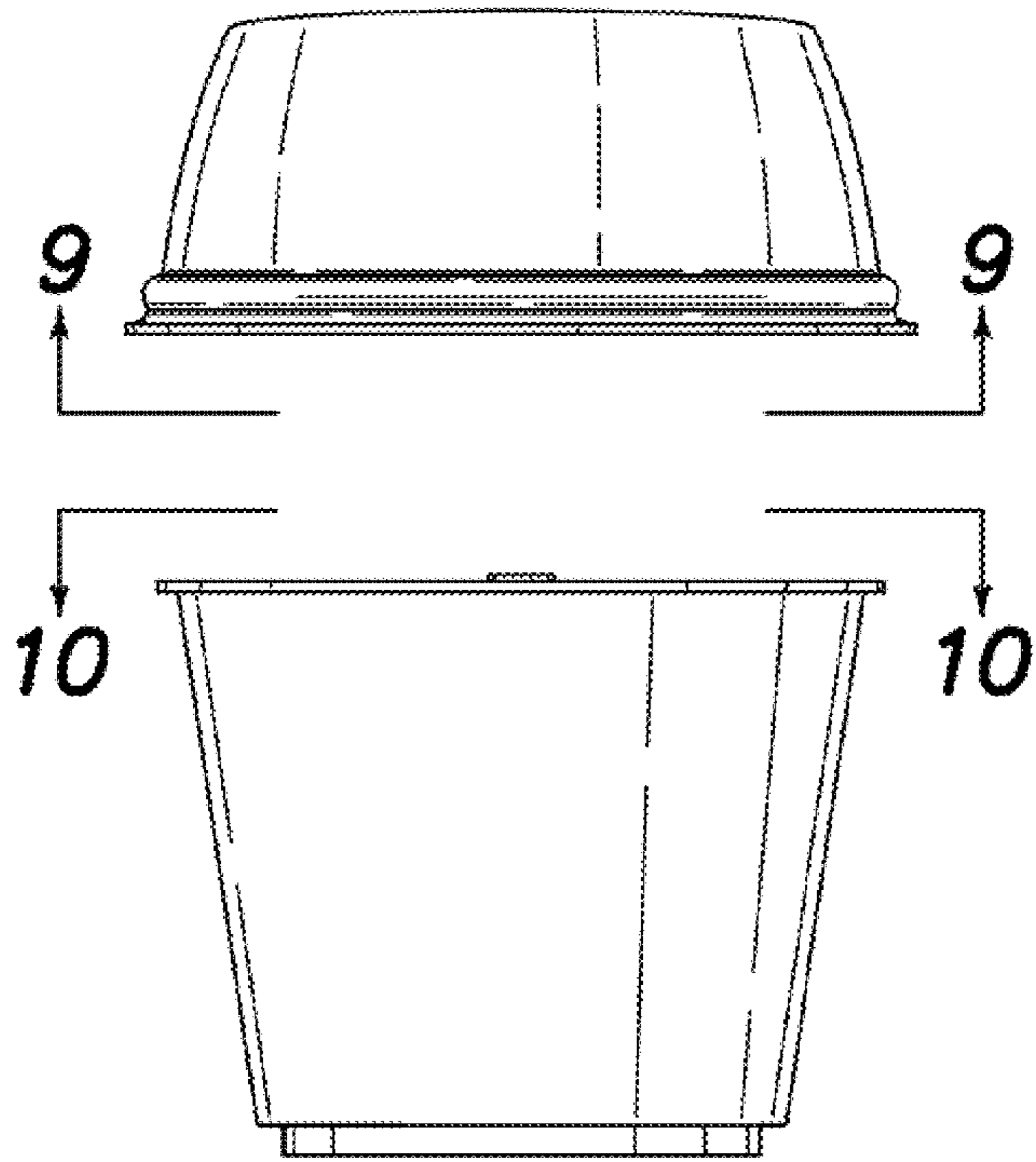


FIG. 8

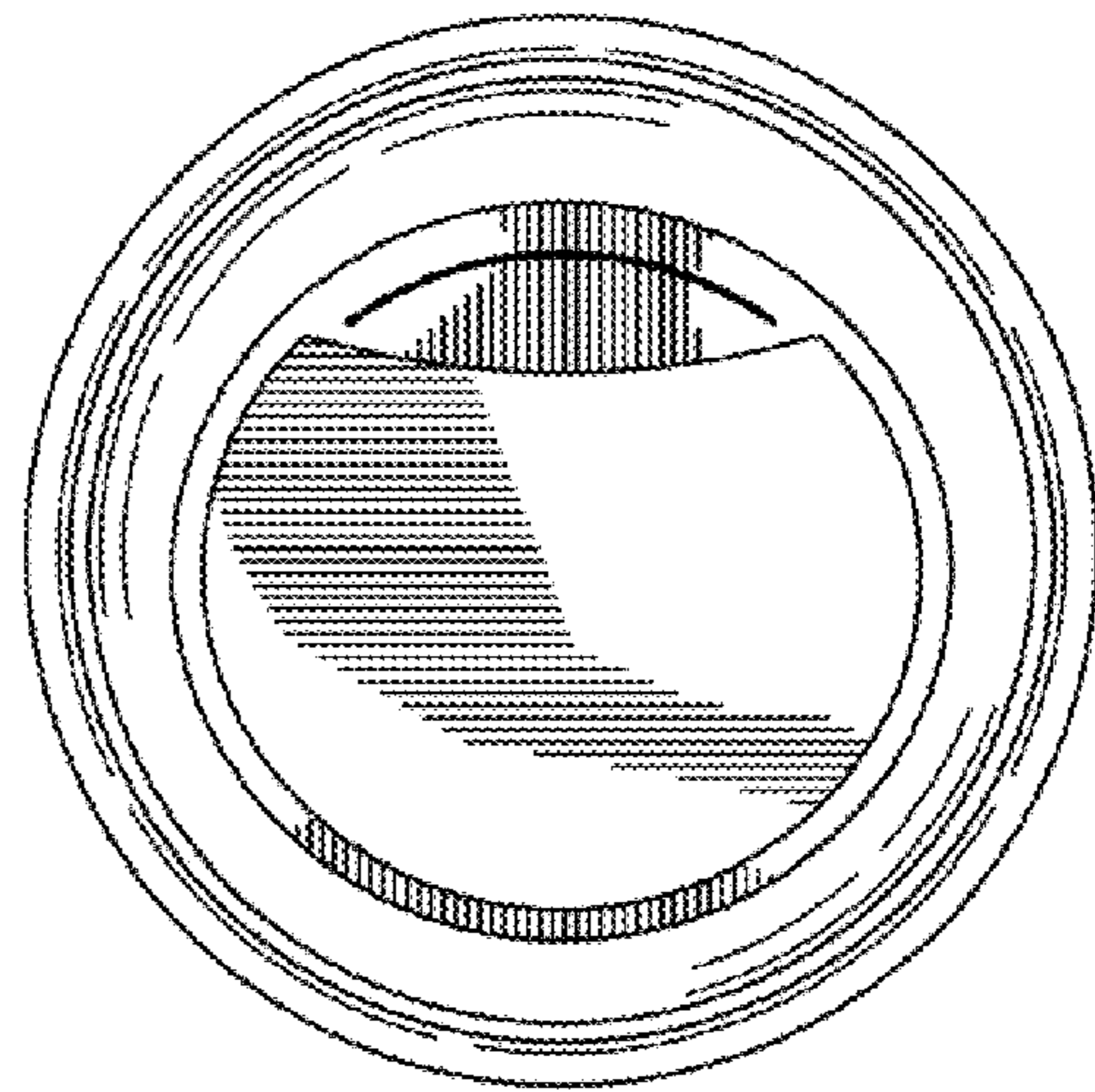


FIG. 9

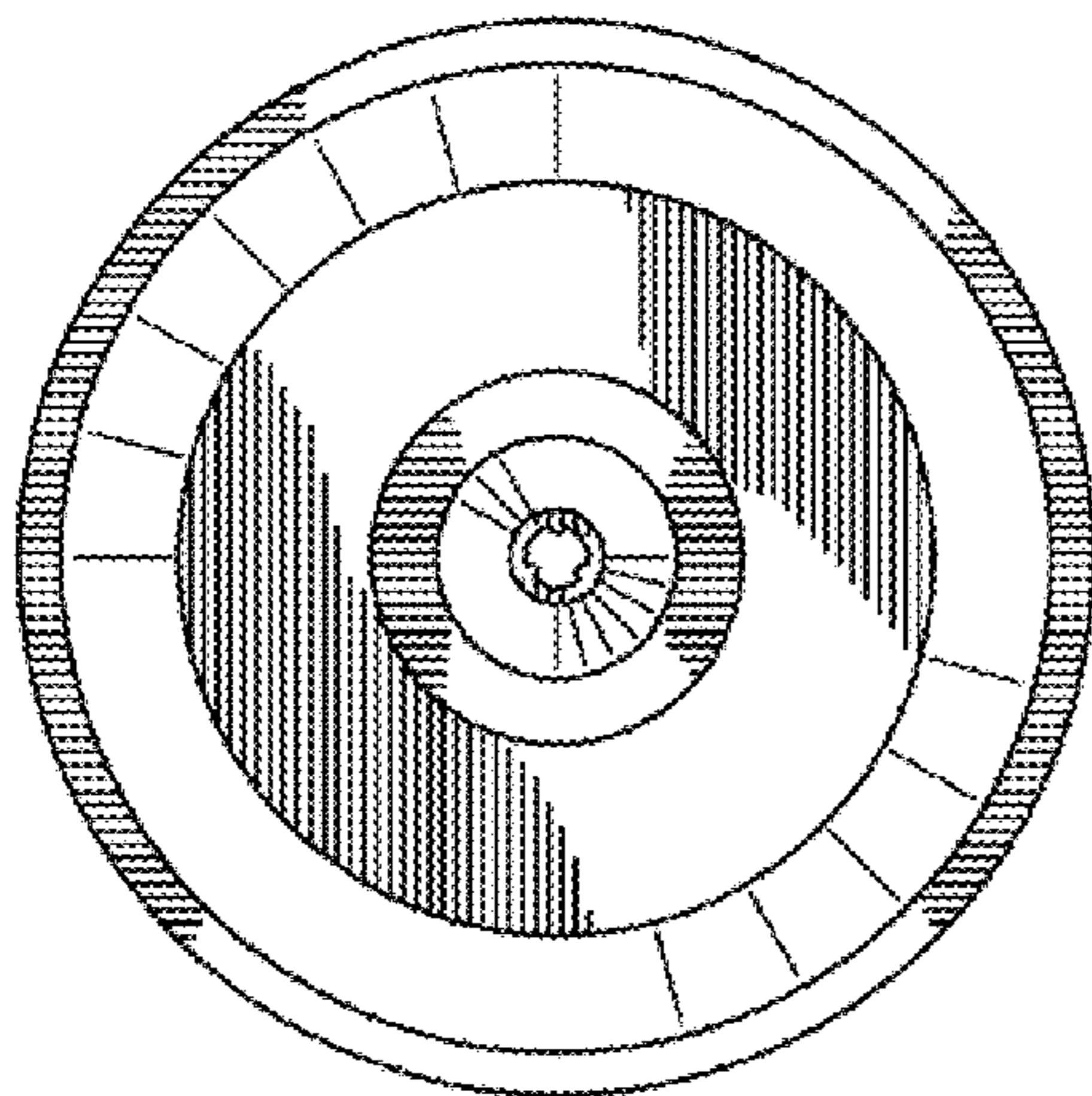


FIG. 10

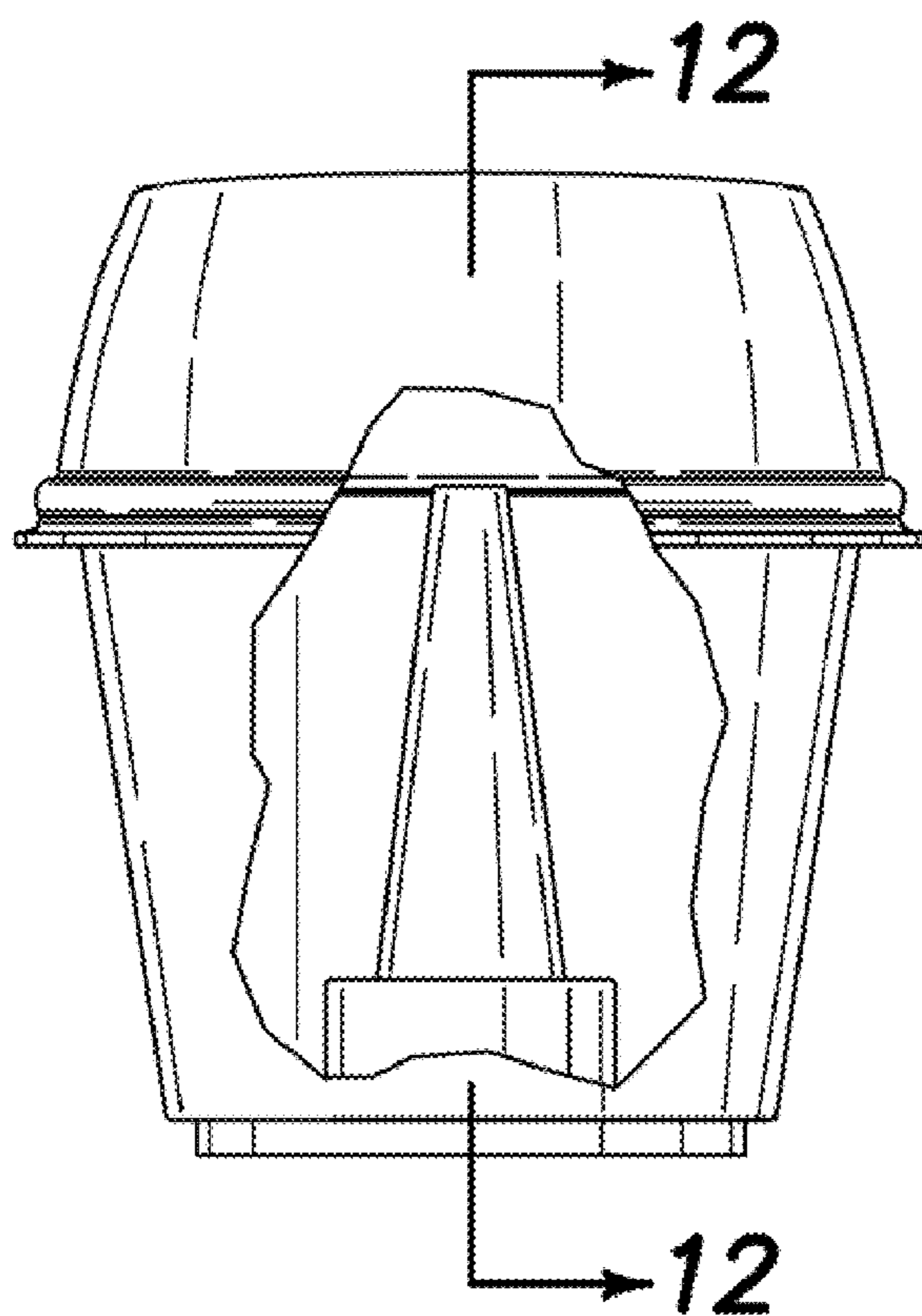


FIG. 11

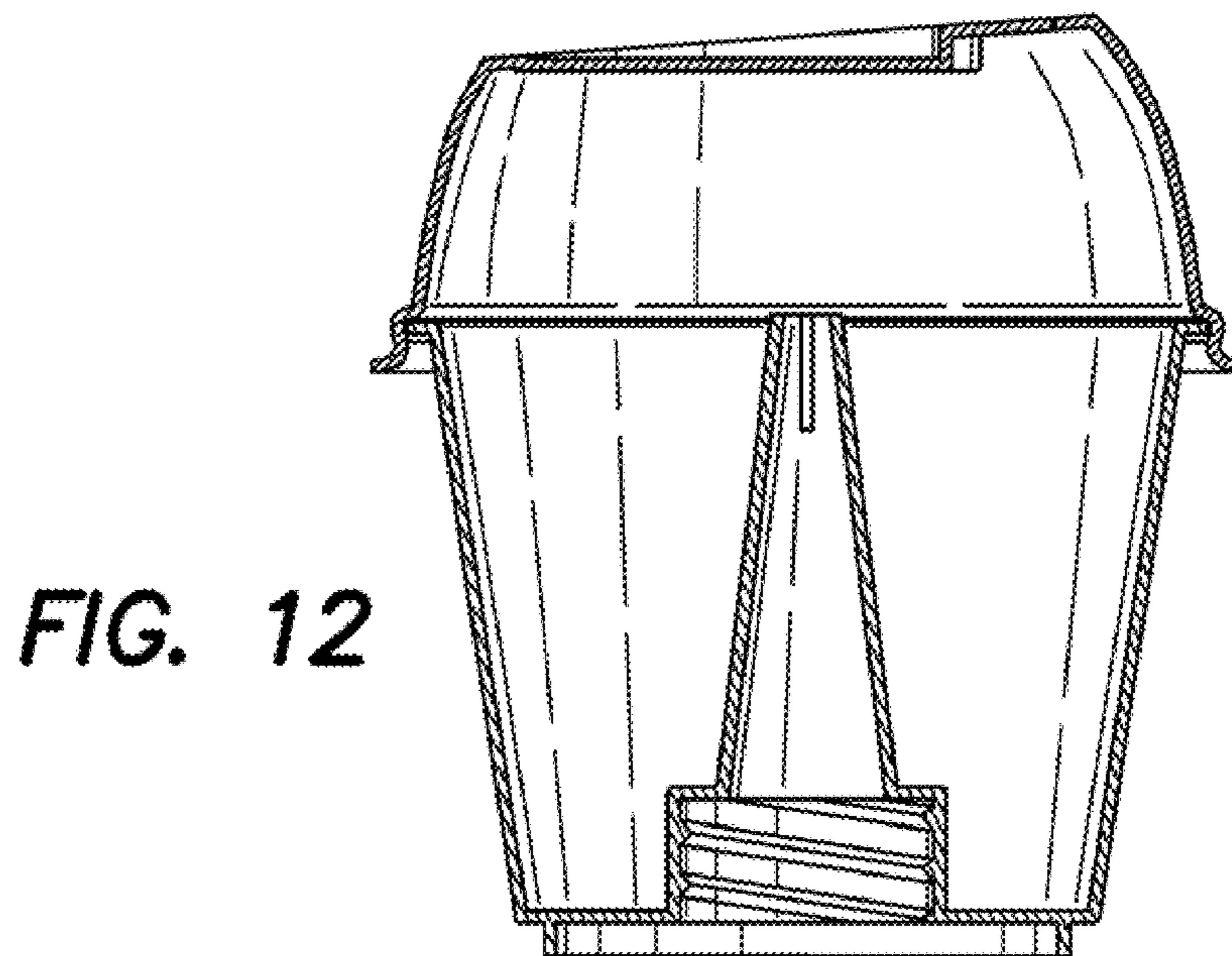


FIG. 12

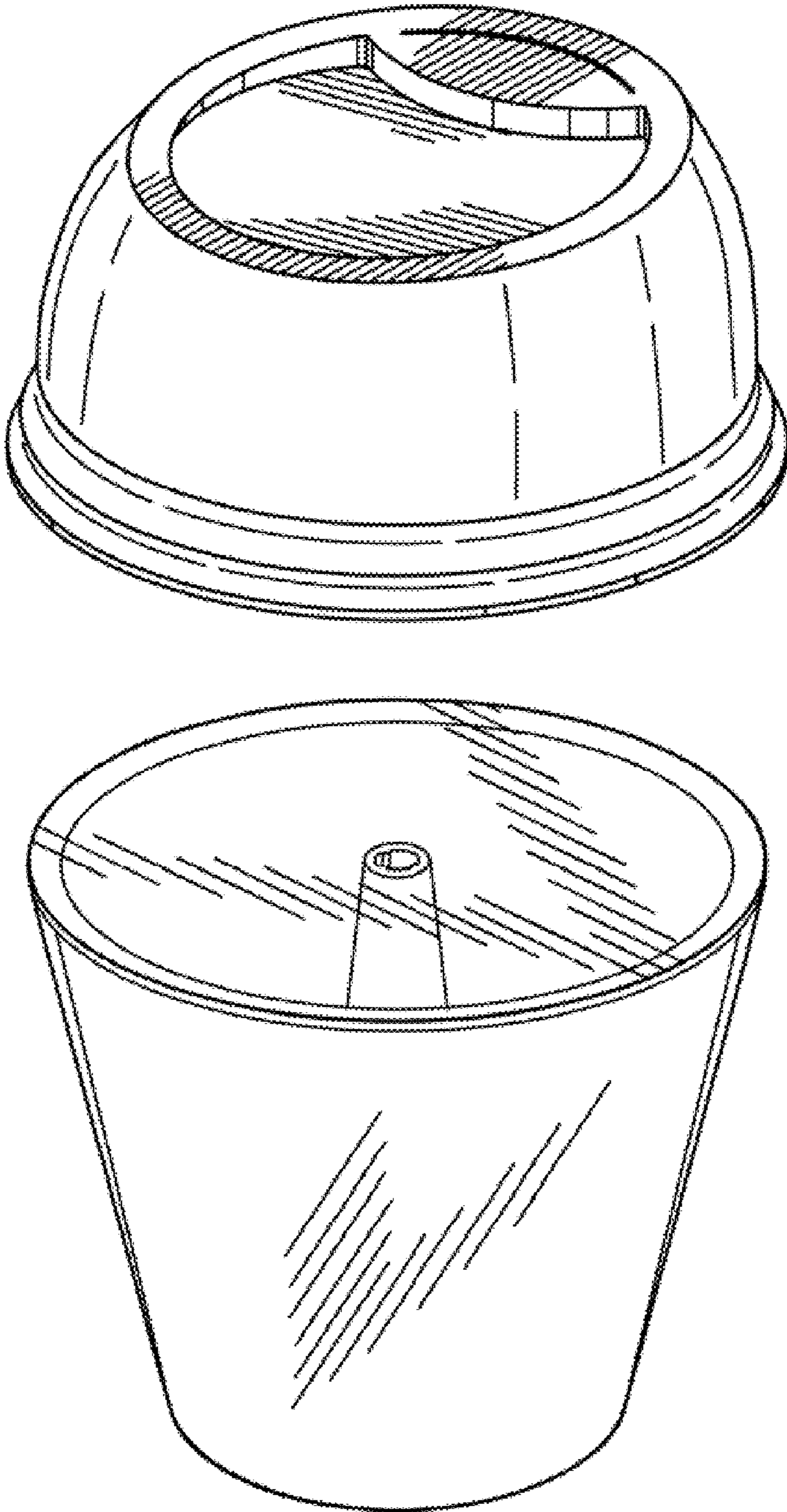


FIG. 13