



US00D604156S

(12) **United States Design Patent**  
**Healy**

(10) **Patent No.:** **US D604,156 S**  
(45) **Date of Patent:** **\*\* Nov. 17, 2009**

(54) **MULTI-POSITIONAL UNIVERSAL DOOR STOP AND HOLDER**

(76) **Inventor:** **Thomas Healy**, 28425 Championship Dr., Moreno Valley, CA (US) 92555

(\*\*) **Term:** **14 Years**

(21) **Appl. No.:** **29/310,813**

(22) **Filed:** **Sep. 10, 2008**

(51) **LOC (9) Cl.** ..... **08-09**

(52) **U.S. Cl.** ..... **D8/402**

(58) **Field of Classification Search** ..... D8/400-499;  
16/86 B, 85, 137, 342, 375, 82 R, 82, 86 A;  
292/251.5, 340, 17, DIG. 15

See application file for complete search history.

(56) **References Cited**

**U.S. PATENT DOCUMENTS**

1,915,249	A *	6/1933	Jorgensen	.....	248/345.1
3,009,172	A *	11/1961	Eidam	.....	5/632
D303,924	S *	10/1989	Klein	.....	D8/403
5,056,836	A *	10/1991	Wells	.....	292/288
D331,696	S *	12/1992	Graham	.....	D8/402
D452,404	S *	12/2001	Cameron	.....	D6/601
D455,644	S *	4/2002	Coffey	.....	D8/402
7,374,213	B2 *	5/2008	Carlson	.....	292/343
D578,872	S *	10/2008	Healy	.....	D8/402
D588,905	S *	3/2009	Meeks et al.	.....	D8/400
7,506,905	B1 *	3/2009	George	.....	292/343
2006/0032017	A1 *	2/2006	Agster et al.	.....	16/86 R
2008/0010904	A1 *	1/2008	Meeks et al.	.....	49/484.1

\* cited by examiner

*Primary Examiner*—Cathron C Brooks

*Assistant Examiner*—Barbara Fox

(74) *Attorney, Agent, or Firm*—Allan Grant; Grant's Law Firm

(57) **CLAIM**

I claim the ornamental design for the multi-positional universal door stop and holder, as shown and described.

**DESCRIPTION**

The multi-positional universal door stop and holder is a versatile device that can be: (1) positioned on the door hinge, (2) wedge underneath the door, (3) positioned on the width of the door, or (4) wedged into the top corner of an open door; to provide an easy and efficient way to stop and retain a door in an open position. The multi-positional universal door stop can also be attached and removed from the handle of a door for easy storage.

FIG. 1 is a perspective view of the multi-positional universal door stop and holder being attached to the handle of a door.

FIG. 2 is a perspective view of the multi-positional universal door stop and holder being wedged underneath the door.

FIG. 3 is a perspective view of the multi-positional universal door stop and holder being positioned on the width of the door.

FIG. 4 is a perspective view of the multi-positional universal door stop and holder being positioned on the hinge of the door.

FIG. 5 is a side view of the multi-positional universal door stop and holder.

FIG. 6 is the other side view of the multi-positional universal door stop and holder.

FIG. 7 is the front view of the multi-positional universal door stop and holder.

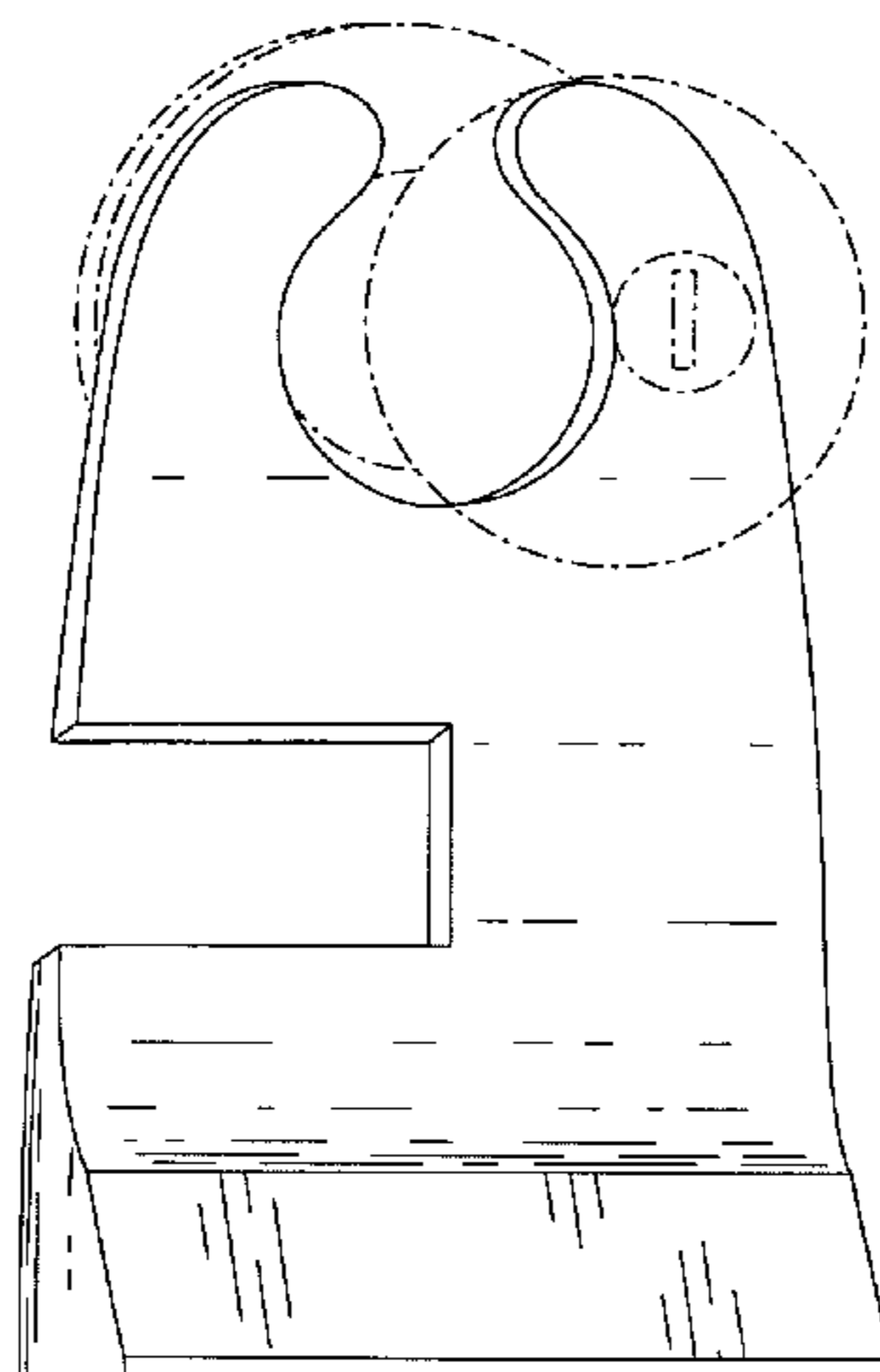
FIG. 8 is the back view of the multi-positional universal door stop and holder.

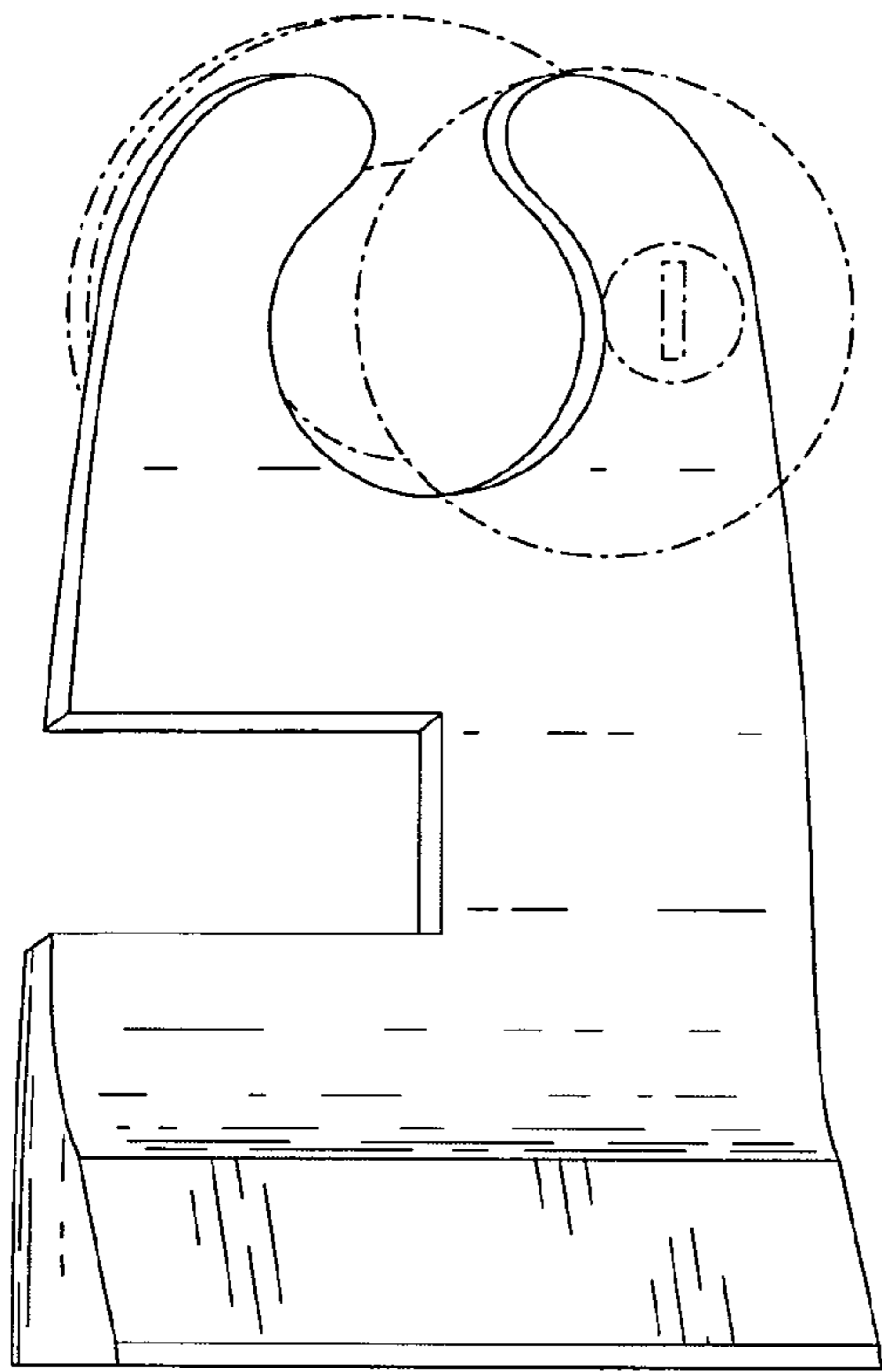
FIG. 9 is a top view of the multi-positional universal door stop and holder; and,

FIG. 10 is a bottom view of the multi-positional universal door stop and holder.

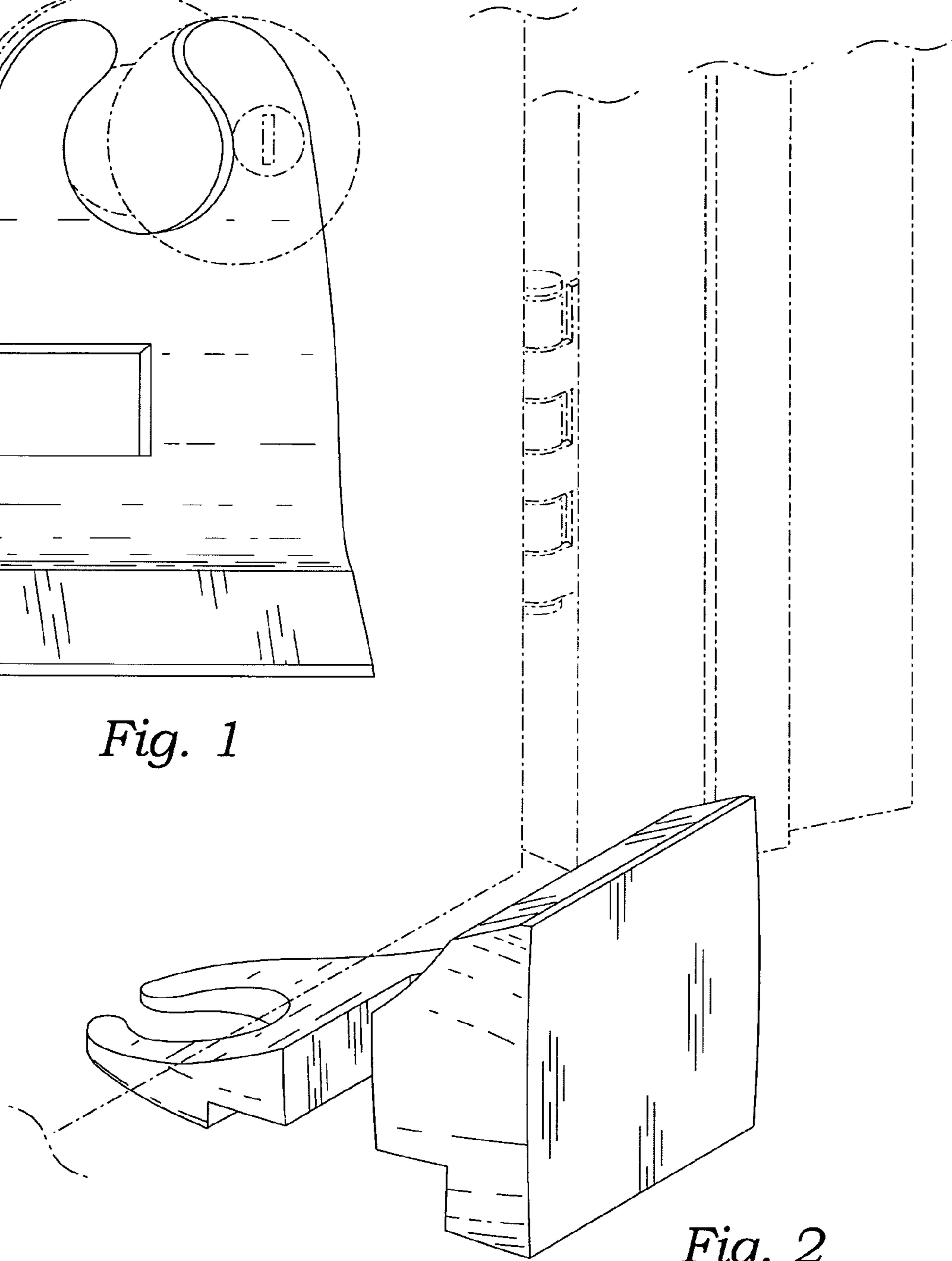
The broken lines in the drawings displaying a door, a door handle, a door hinge, or a door frame illustrate environmental structure and form no part of the claimed design.

**1 Claim, 5 Drawing Sheets**

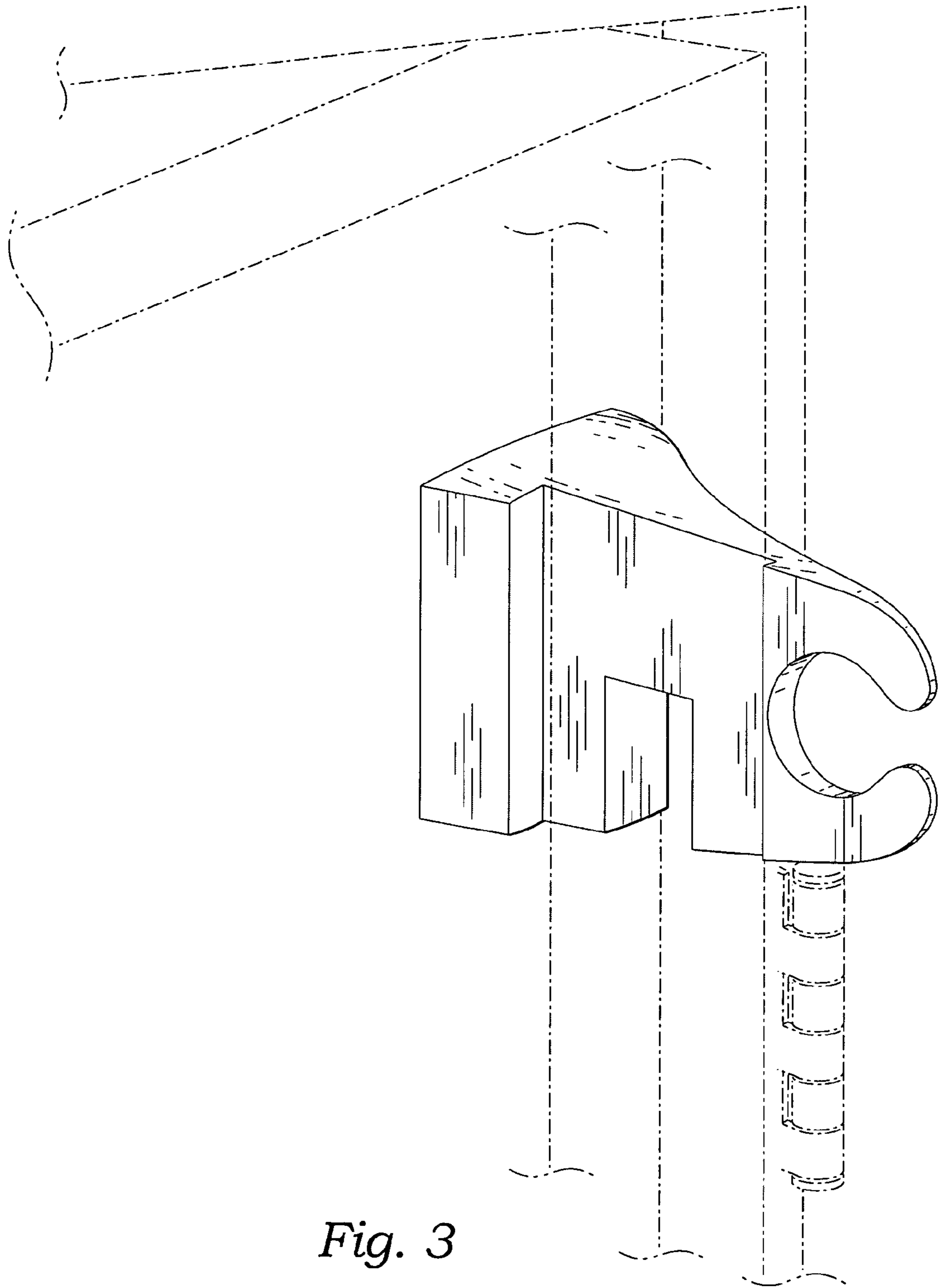




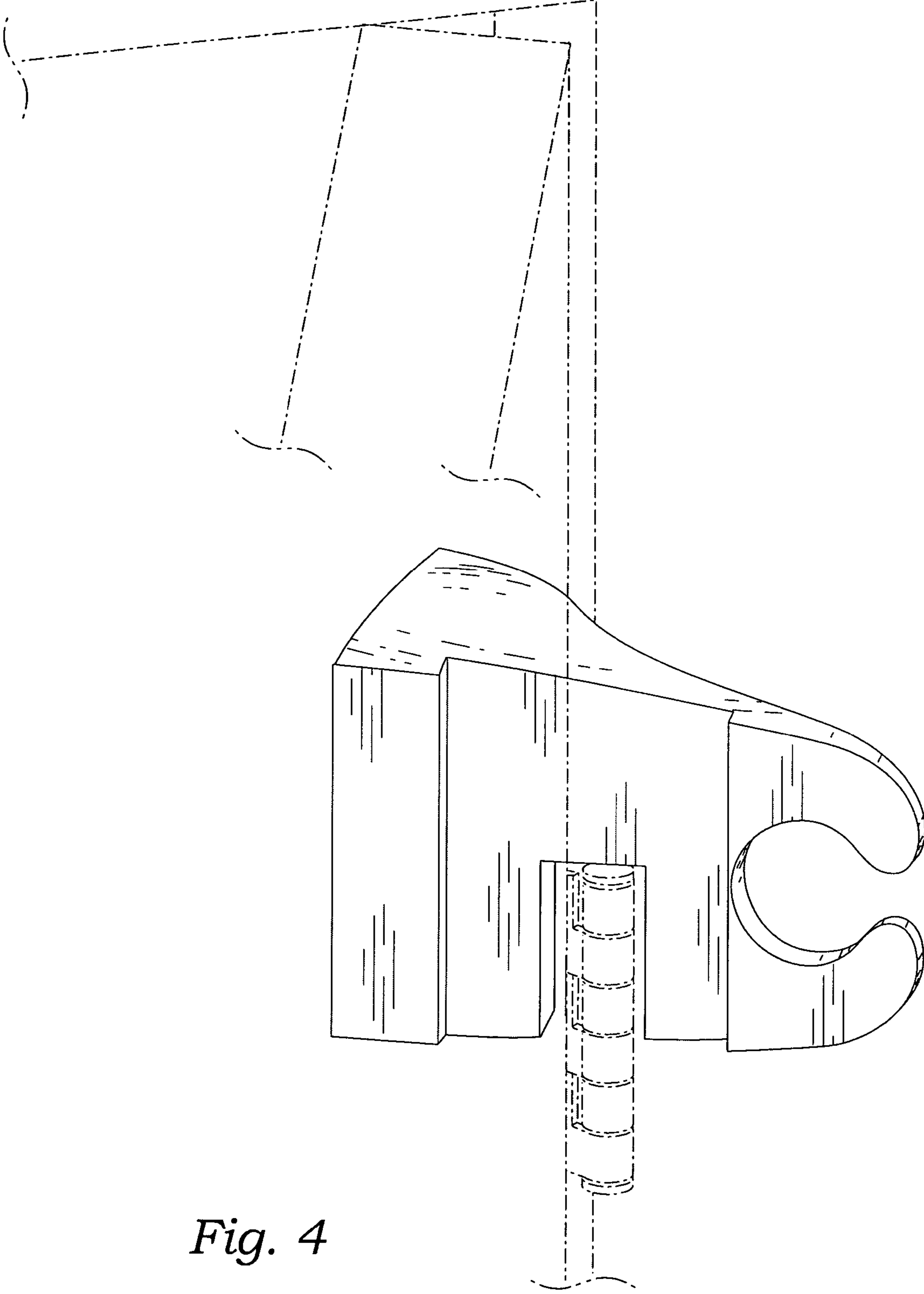
*Fig. 1*



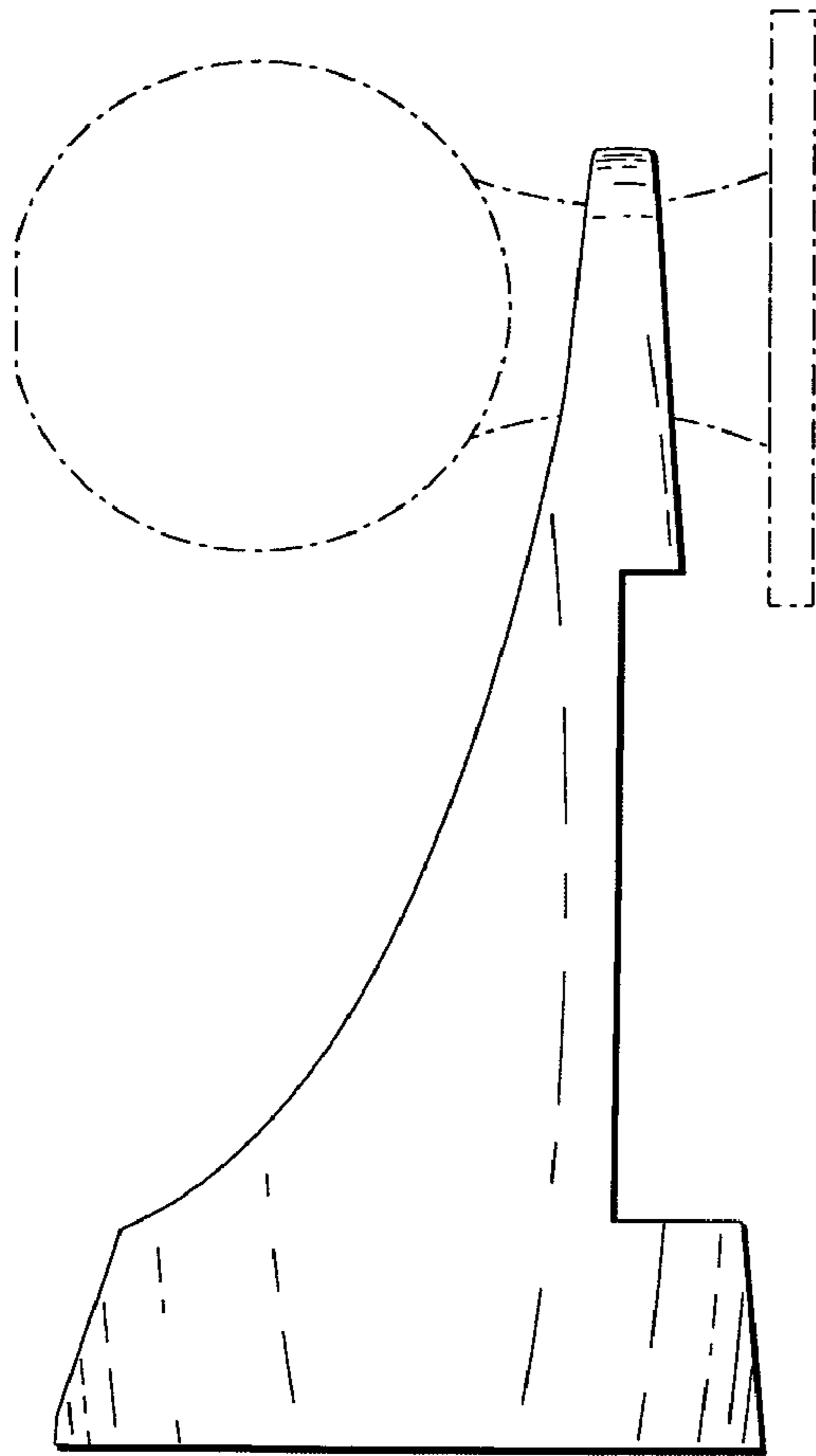
*Fig. 2*



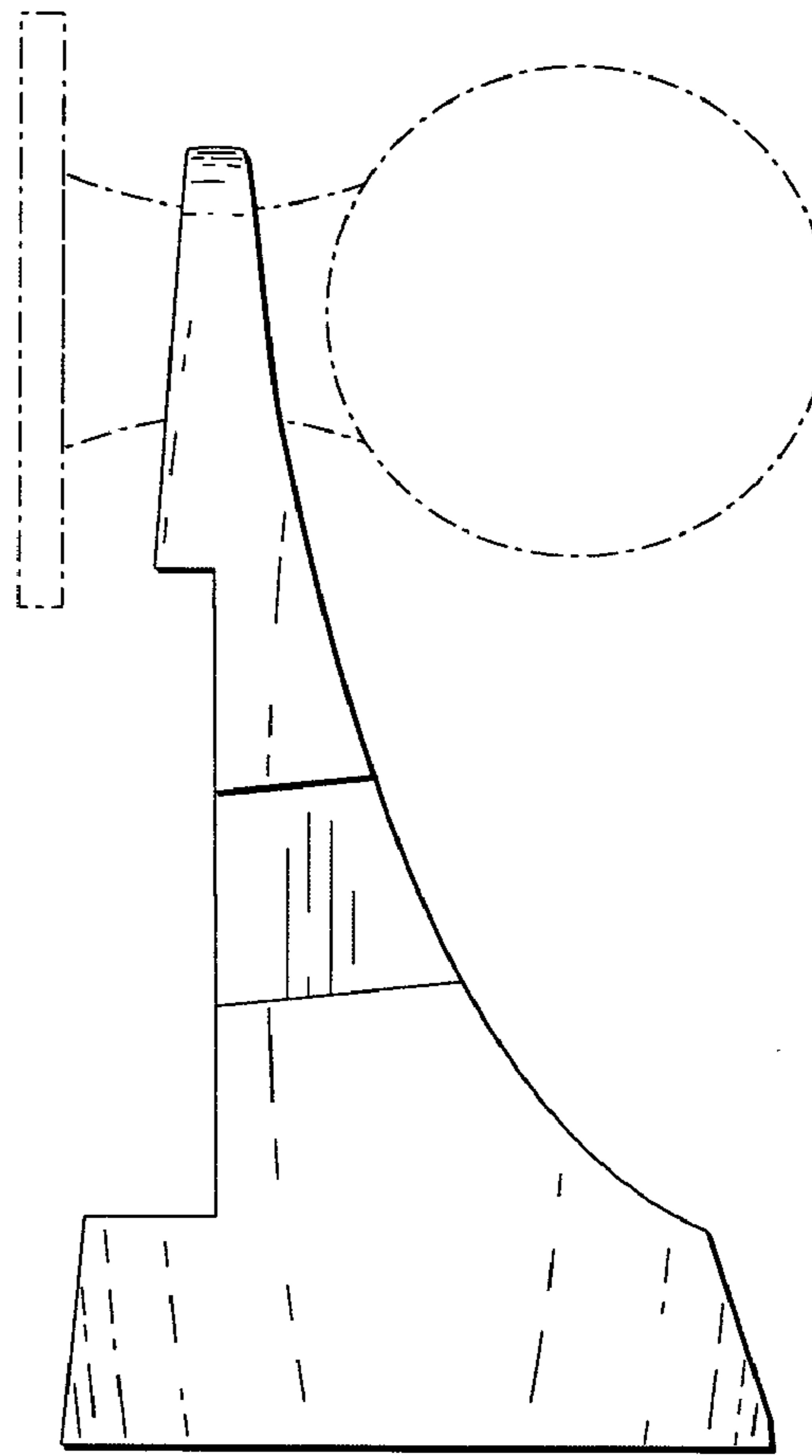
*Fig. 3*



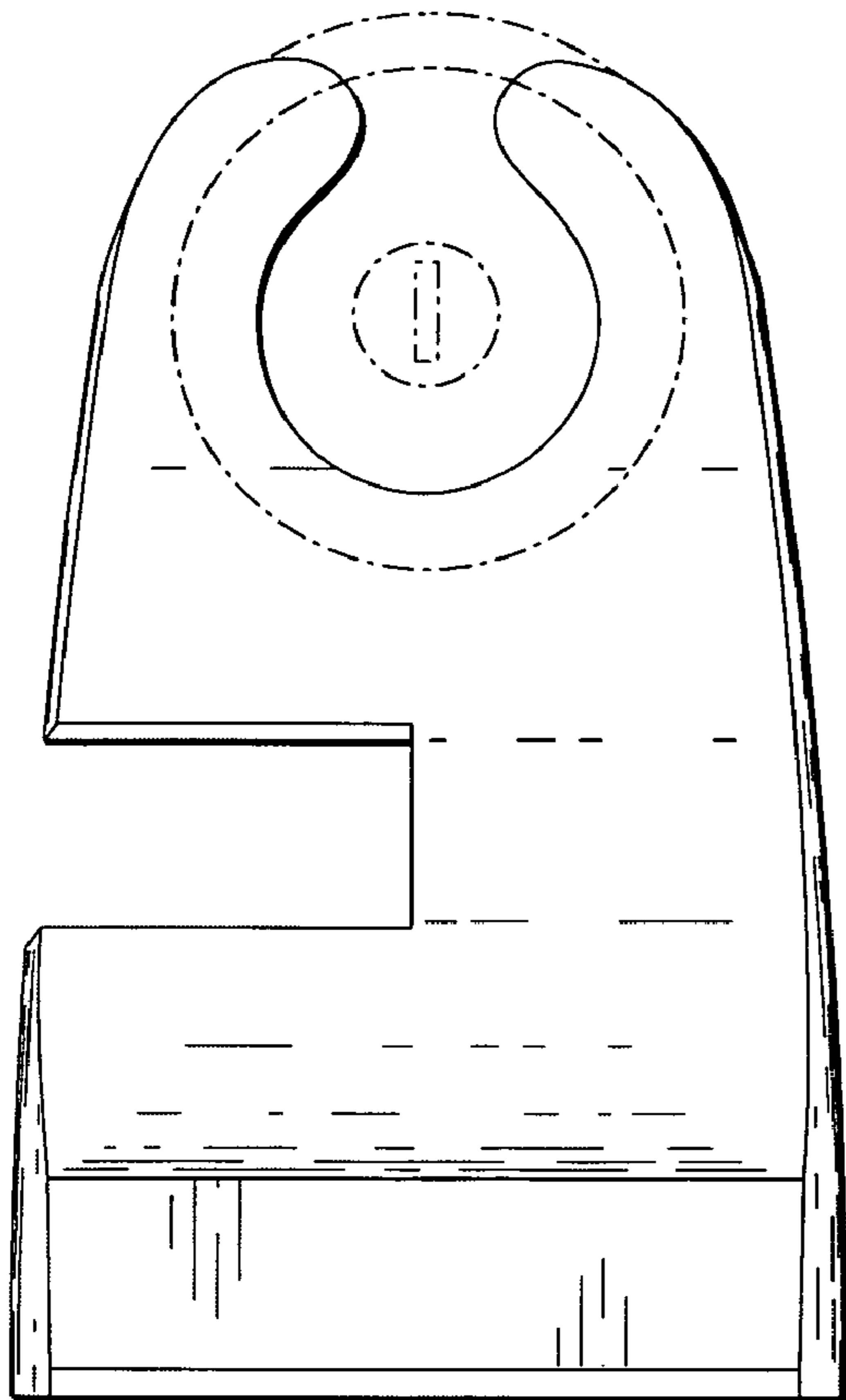
*Fig. 4*



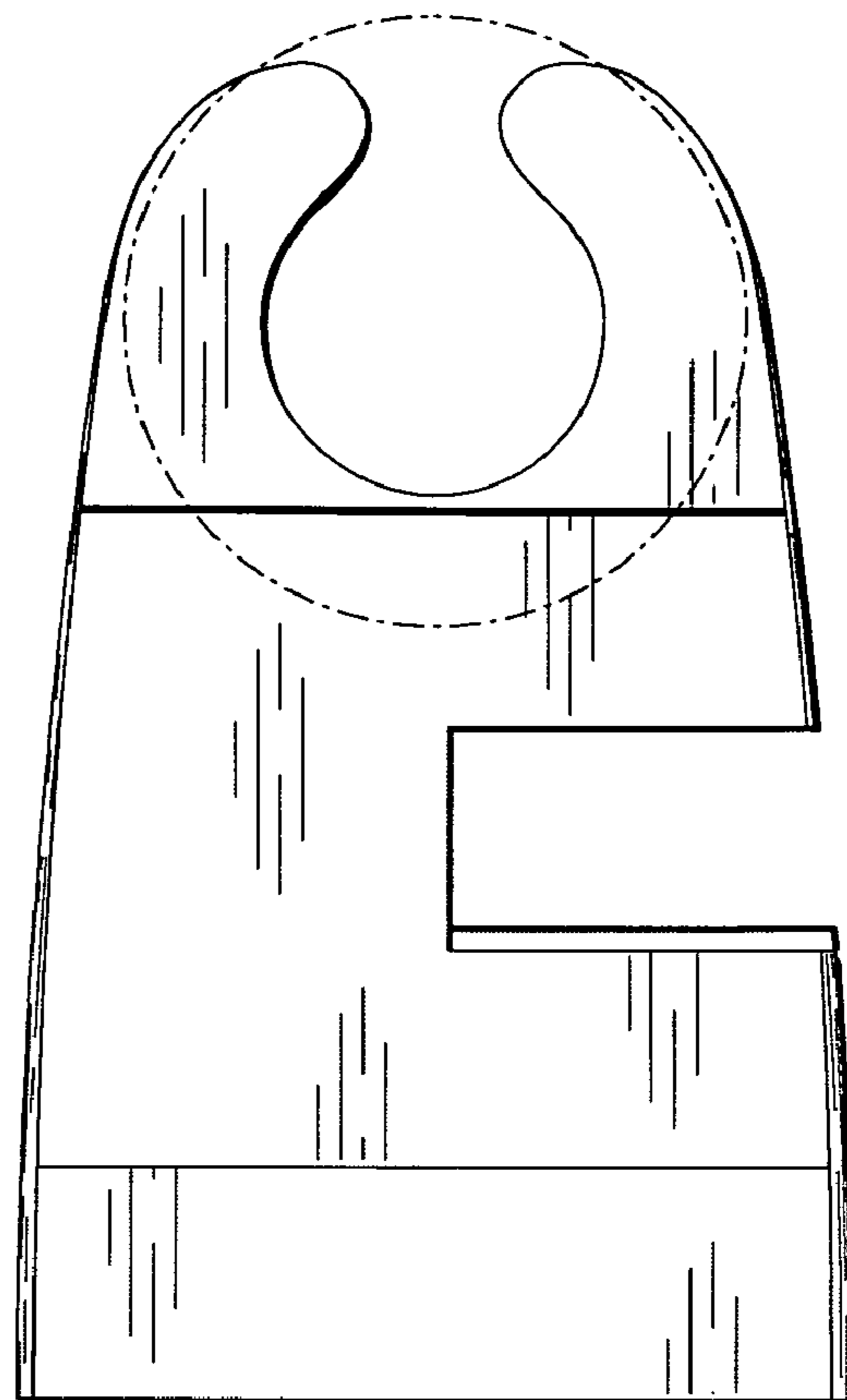
*Fig. 5*



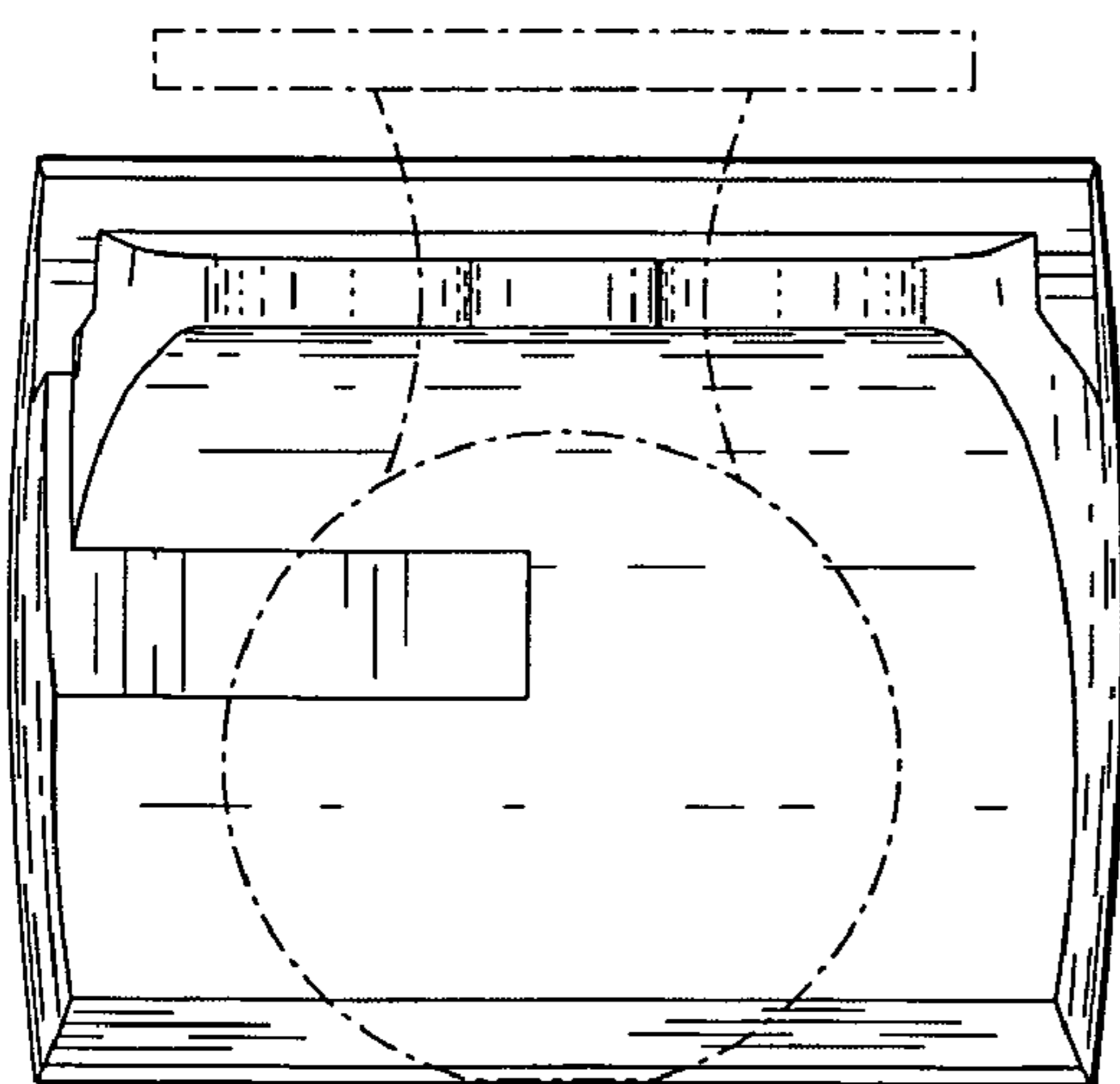
*Fig. 6*



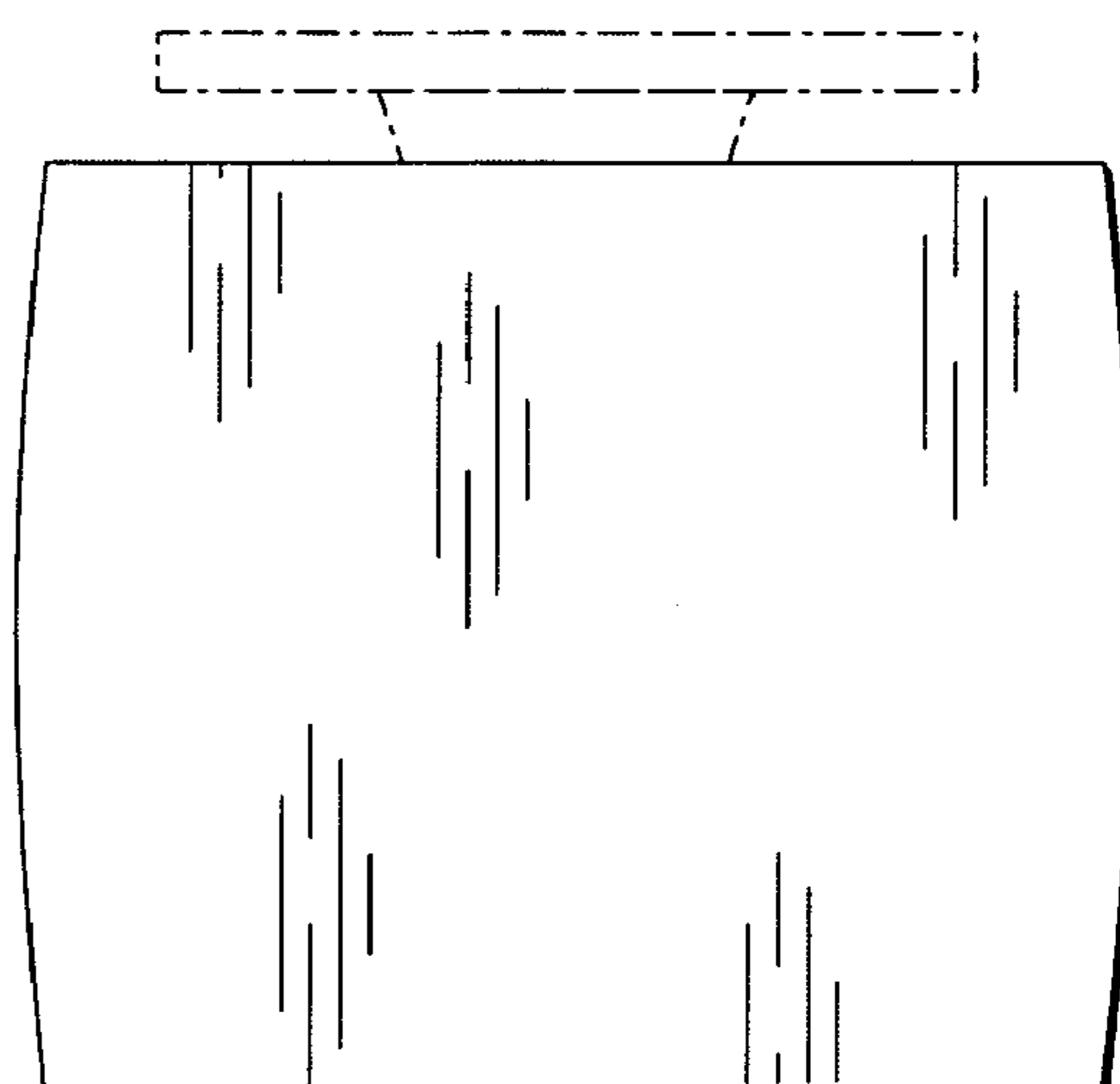
*Fig. 7*



*Fig. 8*



*Fig. 9*



*Fig. 10*