



US00D604154S

(12) **United States Design Patent**
Allsopp

(10) **Patent No.:** **US D604,154 S**

(45) **Date of Patent:** **** Nov. 17, 2009**

(54) **CLIP GUIDE FOR WINDOW BLIND FRAME**

(75) Inventor: **Reginald Charles Allsopp**, Stockport (GB)

(73) Assignee: **Louver-Lite Limited**, Cheshire (GB)

(**) Term: **14 Years**

(21) Appl. No.: **29/248,159**

(22) Filed: **Jul. 31, 2006**

(30) **Foreign Application Priority Data**

Jan. 30, 2006 (EM) 473541-0001

(51) **LOC (9) Cl.** **08-08**

(52) **U.S. Cl.** **D8/395**

(58) **Field of Classification Search** D8/356,
D8/371, 394-396, 383; 248/74.2, 215, 227.1,
248/49, 300, 301, 316.7, 51, 489; 24/22,
24/67 R, 20 S, 115 R, 546, 563, 910, 343,
24/67.9; D19/65; 160/178.2, 291, 298
See application file for complete search history.

(56) **References Cited**

U.S. PATENT DOCUMENTS

D141,427 S *	5/1945	Peckerman	D8/356
2,596,438 A	5/1952	Rollings		
D221,928 S *	9/1971	Zucconi	D8/396
4,278,316 A *	7/1981	White	439/831
4,317,262 A *	3/1982	Wells, Jr.	24/16 PB
D301,433 S *	6/1989	Krauss	D8/356
4,995,847 A *	2/1991	Hwang	450/71
5,000,242 A	3/1991	Coddens		
5,180,130 A *	1/1993	McMichael	248/251
5,282,504 A	2/1994	Anderson et al.		
5,370,345 A *	12/1994	Condon	248/65
5,479,979 A	1/1996	Hayashiguchi et al.		
5,623,982 A *	4/1997	Okazaki	160/178.2
D422,487 S *	4/2000	Khokhar	D8/396
6,050,321 A *	4/2000	Koks et al.	160/178.2
6,817,401 B2	11/2004	Sun et al.		

7,100,248 B2 *	9/2006	Crook	24/16 PB
D543,447 S *	5/2007	Allsopp	D8/394
D562,675 S *	2/2008	Cox et al.	D8/395
2001/0030028 A1	10/2001	Poppema		
2003/0075281 A1	4/2003	Goldenberg et al.		
2004/0154753 A1	8/2004	Tagtow et al.		
2004/0211531 A1	10/2004	Dybdahl		
2004/0238131 A1	12/2004	Eveland		

FOREIGN PATENT DOCUMENTS

CA	2359549	4/2003
CA	2542245	4/2003
DE	10126006	5/2001
EP	0942141	9/1999
EP	EC 000473541-0001	1/2006
EP	EC 000473541-0002	1/2006
EP	EC 000473541-0003	1/2006
EP	EC 000473541-0004	1/2006
NL	1023743	6/2003
WO	WO 93/18270	9/1993

* cited by examiner

Primary Examiner—T. Chase Nelson
Assistant Examiner—John Windmuller

(74) *Attorney, Agent, or Firm*—Haugen Law Firm PLLP

(57) **CLAIM**

The ornamental design for a clip guide for window blind frame, as shown and described.

DESCRIPTION

FIG. 1 is a bottom view of the design;
FIG. 2 is a rear view of the design;
FIG. 3 is a side view of the design;
FIG. 4 is a front view of the design;
FIG. 5 is a perspective rear view of the design;
FIG. 6 is a top view of the design; and,
FIG. 7 is a front perspective view of the design.

1 Claim, 7 Drawing Sheets

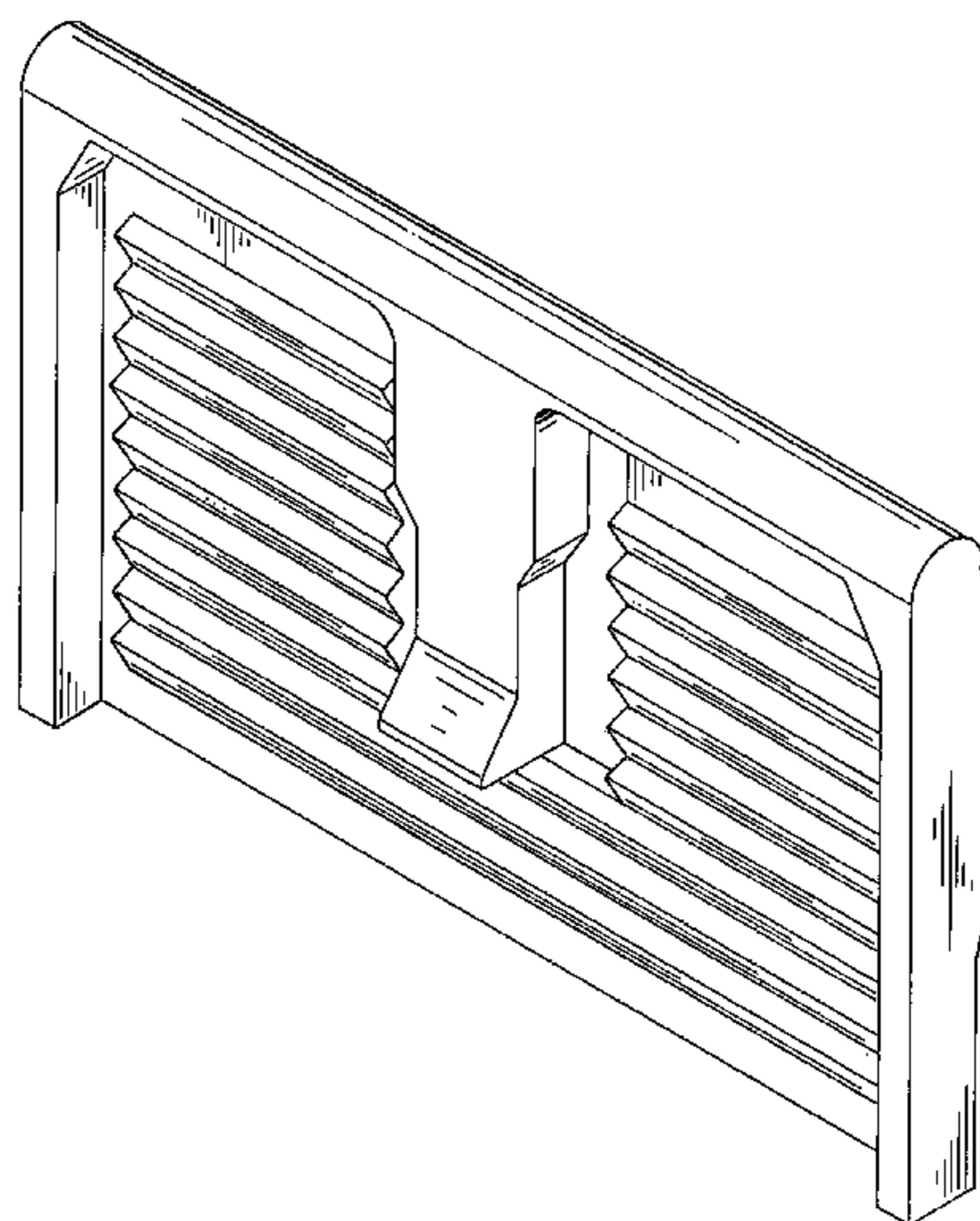


Fig. -1

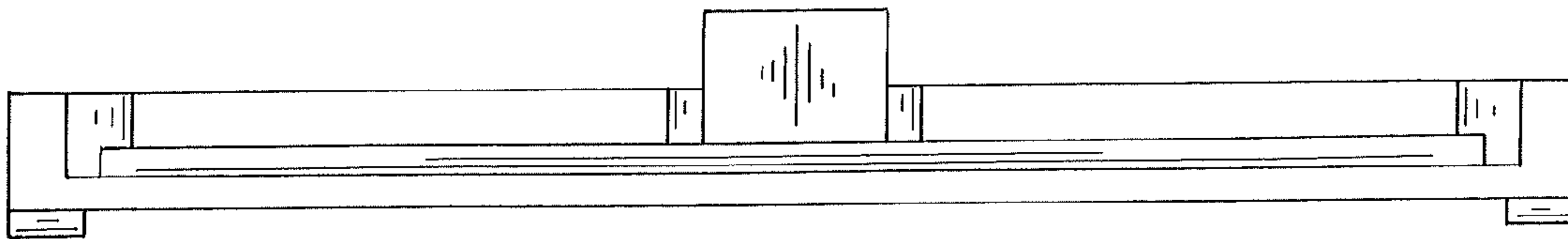


Fig.-2

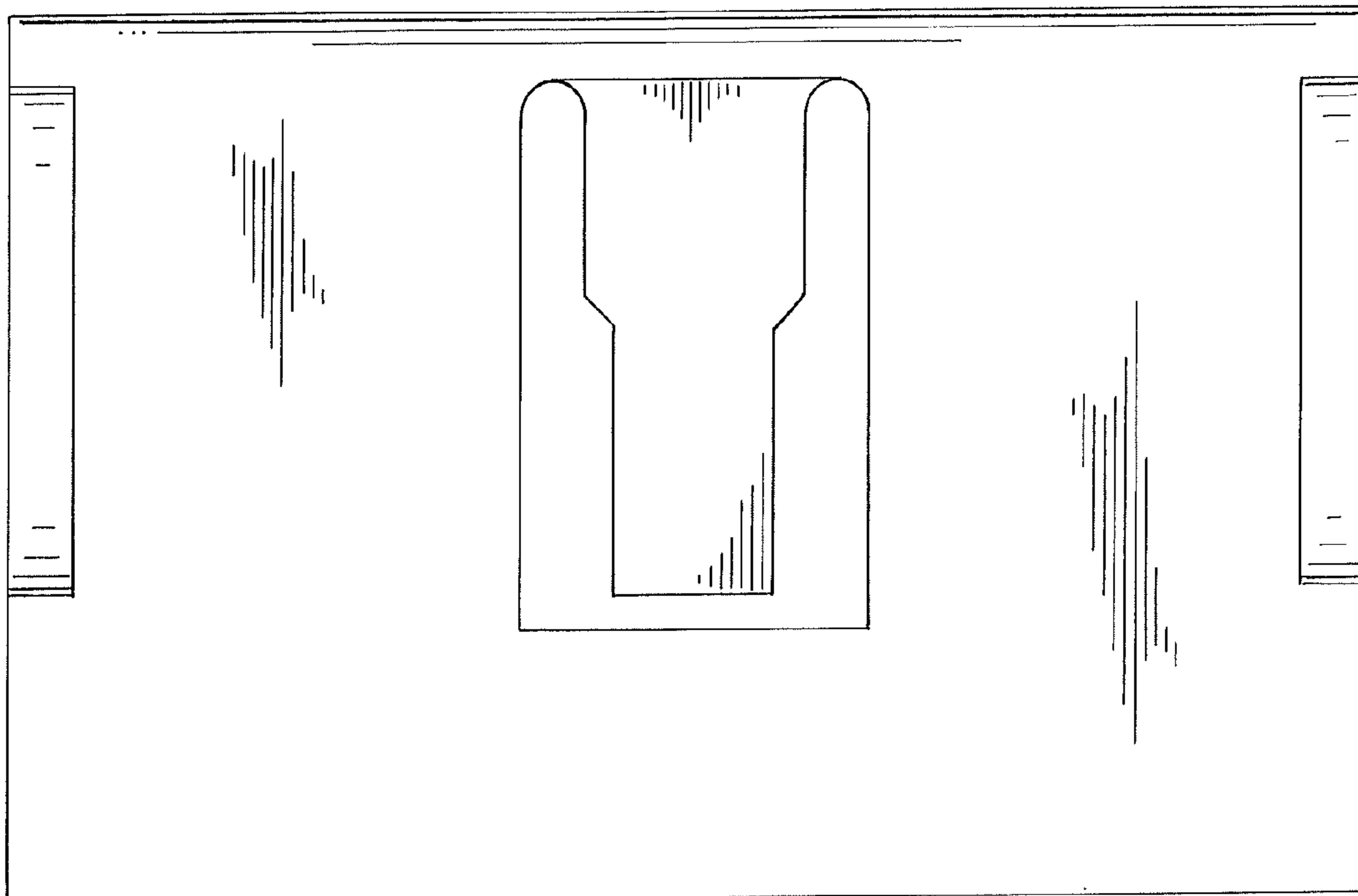


Fig. - 3

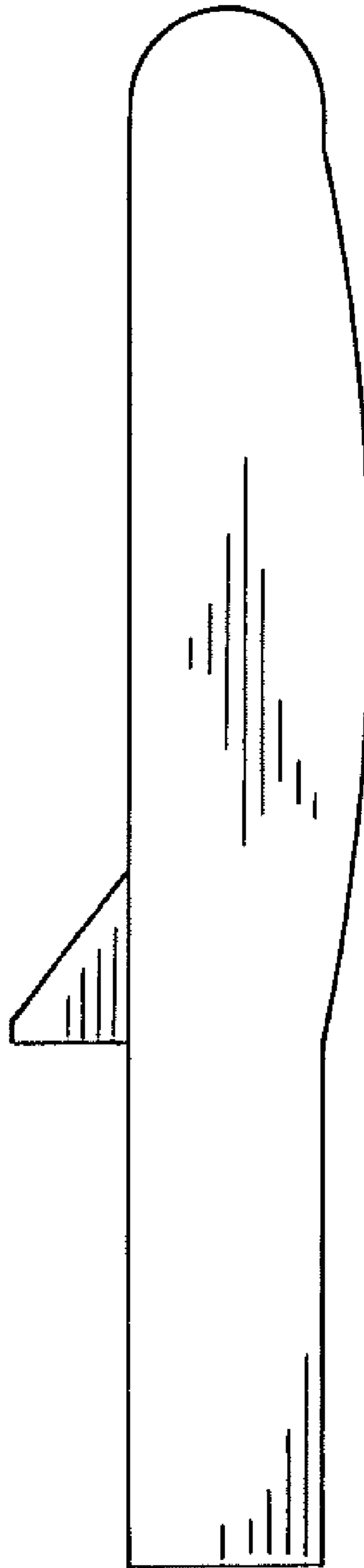


Fig. -4

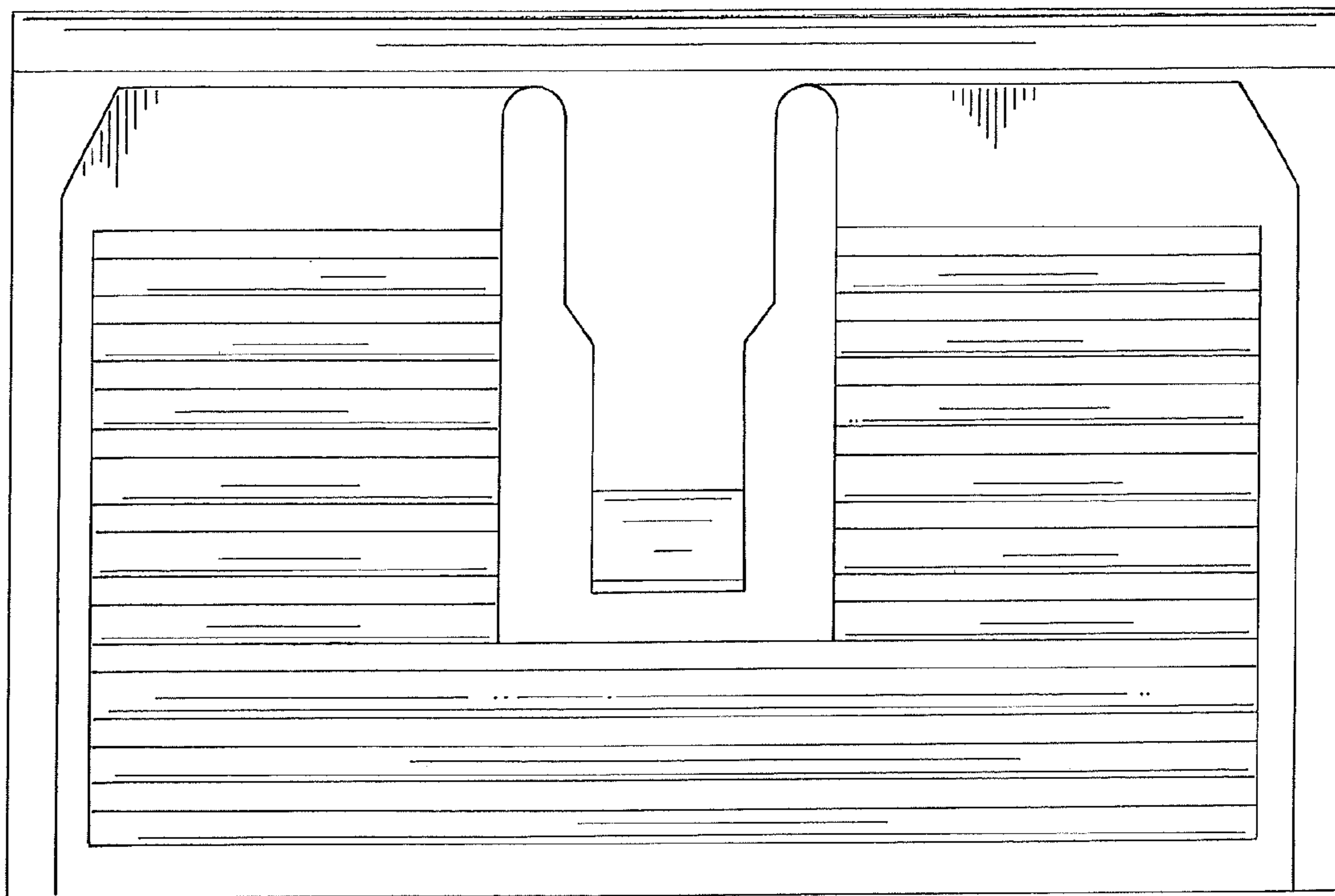


Fig.-5

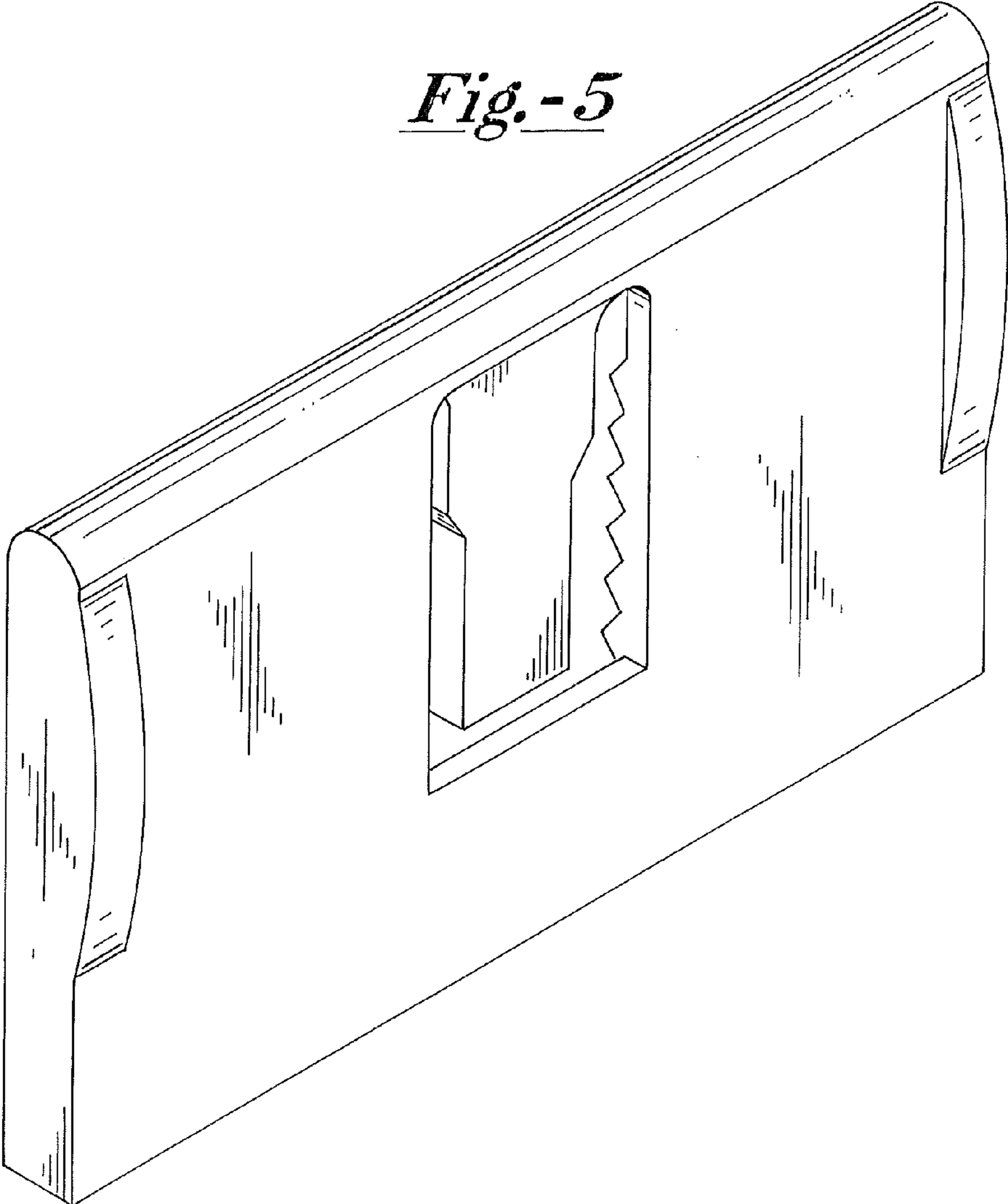


Fig. -6

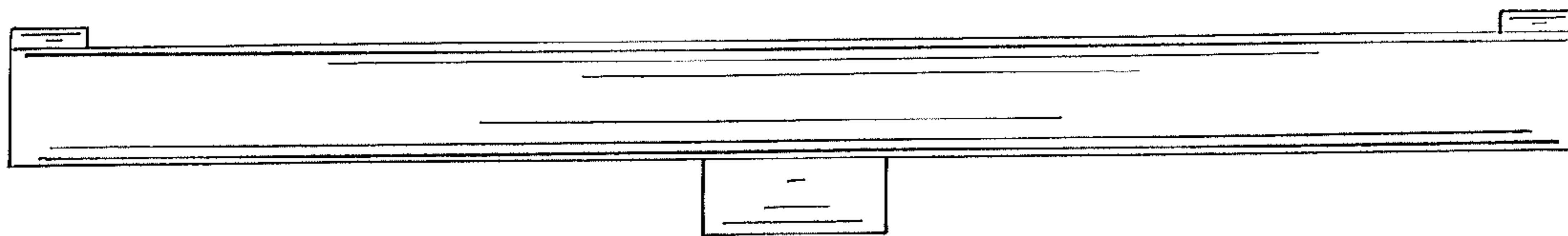


Fig.-7

