



US00D604152S

(12) **United States Design Patent**
Fernandez et al.

(10) **Patent No.:** **US D604,152 S**

(45) **Date of Patent:** **** Nov. 17, 2009**

(54) **END BRACKET**

3,221,894 A 12/1965 Knuth

(Continued)

(75) Inventors: **Julio A. Fernandez**, Doonnellon, FL
(US); **Robert P. Kundinger, Jr.**, Deland,
FL (US)

FOREIGN PATENT DOCUMENTS

EP 0338872 A1 10/1989

(Continued)

(73) Assignee: **Clairson, Inc.**, Newark, DE (US)

OTHER PUBLICATIONS

(**) Term: **14 Years**

http://www.closetmaid.com/Look/Product_Catalog/product.cfm?product_id=115, 2 pages.

(21) Appl. No.: **29/340,614**

(Continued)

(22) Filed: **Jul. 22, 2009**

(51) **LOC (9) Cl.** **08-05**

Primary Examiner—Susan Bennett Hattan

(52) **U.S. Cl.** **D8/381**

(74) *Attorney, Agent, or Firm*—Harness, Dickey & Pierce,
P.L.C.

(58) **Field of Classification Search** D8/403,
D8/381, 380, 373, 363, 354, 349; D6/574,
D6/573, 572; 52/712–715, 665, 506.06;
292/346; 248/265, 247, 243, 235, 200; 108/85
See application file for complete search history.

(57) **CLAIM**

The ornamental design for a end bracket, as shown and described.

(56) **References Cited**

DESCRIPTION

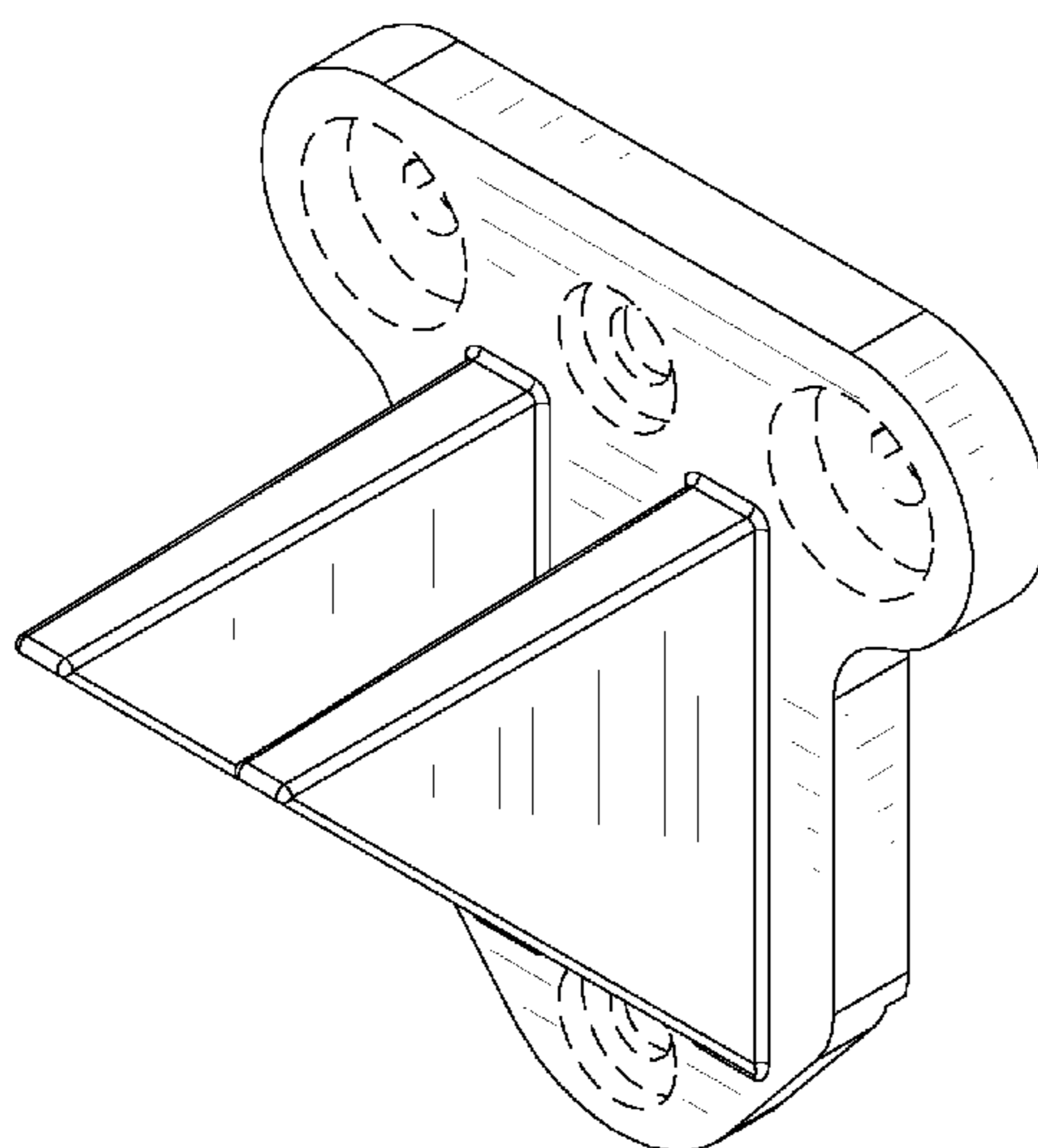
U.S. PATENT DOCUMENTS

D5,634 S	3/1872	Wunder	
1,006,328 A	10/1911	Widenhofer	
D78,426 S	4/1929	Whincap	
1,793,036 A	2/1931	Whitney	
1,997,432 A	4/1935	Replogle	
2,020,991 A	11/1935	Brody	
2,057,429 A	10/1936	Heim	
D108,811 S	3/1938	Snyder	
2,266,274 A	12/1941	Schroeder	
2,299,885 A	10/1942	Ellsworth et al.	
2,441,721 A	5/1948	Schroeder	
2,528,358 A	10/1950	Grass	
2,651,489 A *	9/1953	Bell	248/265
2,683,890 A	7/1954	Rosenbaum	
2,683,891 A	7/1954	Rosenbaum	
2,767,951 A	10/1956	Cousino	
2,809,002 A	10/1957	Rudolph	
D189,163 S *	11/1960	Growe	D8/372

FIG. 1 is an upper front perspective view of a end bracket, showing our design;
FIG. 2 is a lower front perspective view thereof;
FIG. 3 is an upper back perspective view thereof;
FIG. 4 is a lower back perspective view thereof;
FIG. 5 is a front view thereof;
FIG. 6 is a back view thereof;
FIG. 7 is a left side view thereof;
FIG. 8 is a right side view thereof;
FIG. 9 is a top view thereof; and,
FIG. 10 is a bottom view thereof.

The details shown in broken lines are for illustrative purposes only and form no part of the claimed design.

1 Claim, 10 Drawing Sheets



US D604,152 S

U.S. PATENT DOCUMENTS					
			5,584,405 A	12/1996	Tunzi
3,263,951 A	8/1966	Stokes	5,645,182 A	7/1997	Miller, Jr. et al.
3,410,231 A	11/1968	Fletcher	D392,553 S	3/1998	Dill
3,499,541 A	3/1970	Mackie	D394,203 S	5/1998	Nadar
3,563,182 A	2/1971	MacFarlane et al.	5,752,610 A	5/1998	Remmers
3,640,389 A	2/1972	Snyder	5,755,414 A	5/1998	Remmers
D227,742 S	7/1973	Logsdon	D394,999 S	6/1998	Phillip
3,760,744 A	9/1973	Cruckshank	5,758,851 A	6/1998	Remmers
D228,852 S	10/1973	Vogelhuber et al.	5,788,093 A	8/1998	Krut
D240,502 S	7/1976	Daniels	5,833,193 A	11/1998	Derda et al.
3,978,799 A	9/1976	Escalette	D402,536 S	12/1998	Cousins
3,998,170 A	12/1976	Gordon	D403,234 S	12/1998	Nagato
D244,668 S	6/1977	Tegner	D408,175 S	4/1999	Daniels et al.
4,098,480 A	7/1978	Neumann	D409,866 S	5/1999	West
4,125,050 A	11/1978	Schwartzman et al.	D411,738 S	6/1999	Raasch et al.
4,155,312 A	5/1979	Thorkildson	5,909,936 A	6/1999	Daniels et al.
4,209,111 A	6/1980	Lotspeich et al.	5,921,412 A	7/1999	Merl
D258,489 S	3/1981	Gipson	5,934,631 A	8/1999	Becker et al.
4,523,722 A	6/1985	Cohen et al.	6,053,465 A	4/2000	Kluge
D279,959 S	8/1985	Nimmo et al.	D423,917 S	5/2000	Remmers et al.
4,533,056 A	8/1985	Krikorian	D427,466 S	7/2000	Remmers
4,548,327 A	10/1985	Kilkelly	D437,515 S	2/2001	Remmers et al.
4,603,781 A	8/1986	Ryan, Jr.	6,189,527 B1	2/2001	Walsh et al.
D288,528 S	3/1987	Parad	6,279,467 B1	8/2001	Tiemann
4,646,998 A	3/1987	Pate	6,402,108 B1	6/2002	Remmers
4,671,419 A	6/1987	Beverly	6,443,318 B1	9/2002	Welsch
D291,646 S	9/1987	Koziol	6,457,594 B1	10/2002	Tiemann
4,693,380 A	9/1987	Muth	6,467,860 B2	10/2002	Remmers
4,708,552 A	11/1987	Bustos et al.	6,494,653 B2	12/2002	Remmers
D293,416 S	12/1987	Krueger	D470,398 S	2/2003	Remmers
4,720,016 A	1/1988	Kay	D477,144 S	7/2003	Remmers
4,732,284 A	3/1988	Remmers	D478,801 S	8/2003	Spruill
D295,182 S	4/1988	Remmers	6,626,509 B2	9/2003	Remmers
4,735,325 A	4/1988	Remmers	D482,601 S *	11/2003	Chen D8/380
D295,472 S	5/1988	Remmers	6,669,154 B1	12/2003	Remmers
4,781,349 A	11/1988	Remmers	D485,109 S	1/2004	Oberhaus
4,783,035 A	11/1988	Remmers	D490,690 S	6/2004	Brass et al.
D299,212 S	1/1989	Murphy	D497,738 S	11/2004	Sparkowski
D299,436 S	1/1989	Muth	6,840,593 B2	1/2005	Remmers
4,795,041 A	1/1989	Remmers	D506,385 S	6/2005	Brown
4,804,159 A	2/1989	Martel	6,915,913 B2	7/2005	Cardinell
4,838,451 A	6/1989	Arkell et al.	6,953,176 B2	10/2005	Remmers
D305,272 S	12/1989	Remmers	D513,970 S	1/2006	Sterling et al.
4,890,839 A	1/1990	Ayotte	7,004,335 B2	2/2006	Remmers
D310,623 S	9/1990	Aranibar	7,021,730 B2	4/2006	Remmers
D311,860 S	11/1990	Remmers	D522,848 S	6/2006	Nawrocki
D312,389 S	11/1990	Remmers	D522,852 S	6/2006	Nawrocki
D319,573 S	9/1991	Rogers	D523,327 S *	6/2006	Clarke D8/380
5,074,223 A	12/1991	Remmers	7,063,491 B2	6/2006	French
D323,452 S	1/1992	Stumpf et al.	D525,811 S	8/2006	Nawrocki
D323,715 S	2/1992	Bodurow et al.	D526,519 S	8/2006	Nawrocki
5,086,936 A	2/1992	Remmers	D526,887 S	8/2006	Remmers et al.
D326,603 S	6/1992	Rogers	7,086,543 B2	8/2006	Remmers
5,119,945 A	6/1992	Wiggins	7,090,317 B2	8/2006	Remmers
5,133,463 A	7/1992	Merl	D527,559 S	9/2006	Remmers
D334,497 S	4/1993	Putty	D527,935 S	9/2006	Remmers
D336,605 S	6/1993	Lemmerman et al.	D531,019 S	10/2006	Plumer
D340,639 S	10/1993	Remmers	D531,891 S	11/2006	Nawrocki
D342,015 S	12/1993	Andrejew	7,174,605 B1	2/2007	Nawrocki
D348,826 S	7/1994	McCaffrey	7,185,772 B2	3/2007	Remmers
5,326,062 A	7/1994	Remmers	7,188,740 B2	3/2007	Marchetta et al.
5,330,063 A	7/1994	Remmers	D543,094 S	5/2007	Remmers
5,351,842 A	10/1994	Remmers	7,225,237 B1	5/2007	Tenereillo
D353,500 S	12/1994	Remmers	D544,260 S	6/2007	Nawrocki
5,386,959 A	2/1995	Laughlin et al.	D544,261 S	6/2007	Nawrocki
5,407,084 A	4/1995	Remmers	D547,163 S	7/2007	Xayoiphonh
5,492,295 A	2/1996	Remmers	D547,164 S	7/2007	Xayoiphonh
D369,293 S	4/1996	Gusdorf et al.	D547,640 S	7/2007	Remmers
5,531,416 A	7/1996	Remmers	7,240,803 B2	7/2007	Stitchick et al.
5,533,851 A	7/1996	Remmers	D550,072 S	9/2007	Ardern
D373,719 S	9/1996	Lin	D550,540 S	9/2007	Nawrocki
5,580,018 A	12/1996	Remmers	D551,062 S	9/2007	Nawrocki
			D551,884 S	10/2007	Remmers

US D604,152 S

Page 3

D553,485 S	10/2007	Hall	2007/0101545 A1	5/2007	Nawrocki
7,296,697 B2	11/2007	Costa et al.	2007/0102604 A1	5/2007	Nawrocki
D559,090 S	1/2008	Nawrocki	2007/0108146 A1	5/2007	Nawrocki
7,314,144 B2	1/2008	Stitchick et al.	2007/0108148 A1	5/2007	Stitchick et al.
D562,670 S	2/2008	Rogers et al.	2007/0114197 A1	5/2007	Remmers
D567,074 S	4/2008	Gallien	2007/0114348 A1	5/2007	Nawrocki
D569,715 S	5/2008	Fernandez	2007/0119805 A1	5/2007	Nawrocki
D578,869 S	10/2008	Fernandez	2007/0134072 A1	6/2007	Su
D580,258 S	11/2008	Fernandez	2007/0137417 A1	6/2007	Nawrocki et al.
D581,260 S	11/2008	Fernandez	2007/0159040 A1	7/2007	Fernandez et al.
D581,776 S	12/2008	Yin-Feng	2007/0187561 A1	8/2007	Xayoiphonh
7,458,548 B2	12/2008	Franzone et al.	2007/0205172 A1	9/2007	Stitchick et al.
D585,730 S	2/2009	Fernandez	2008/0047098 A1	2/2008	Nawrocki
D587,562 S	3/2009	Fernandez	2009/0139943 A1	6/2009	Fernandez
D589,780 S	4/2009	Fernandez			
D590,240 S	4/2009	Hutter, III			
D596,931 S	7/2009	Fernandez			
2002/0090278 A1	7/2002	Lai			
2002/0153335 A1	10/2002	Robideau			
2002/0166934 A1	11/2002	Marsh			
2003/0231941 A1	12/2003	Kenny			
2005/0109720 A1	5/2005	Marchetta			
2005/0145147 A1	7/2005	Costa et al.			
2005/0148942 A1	7/2005	Newby et al.			
2005/0247651 A1	11/2005	Craft			
2006/0011568 A1	1/2006	Remmers et al.			
2006/0113443 A1	6/2006	Remmers			
2006/0175495 A1	8/2006	Gregory			
2007/0023374 A1	2/2007	Nawrocki			
2007/0068887 A1	3/2007	Richard Nawrocki			

FOREIGN PATENT DOCUMENTS

FR	2717994 A1	10/1995
GB	2153205 A	8/1985
GB	2180141 A	3/1987
GB	2229625 A	10/1990
JP	10002663	1/1998
WO	WO 2004/056236	7/2004

OTHER PUBLICATIONS

http://www.closetmaid.com/pdfs/ARCHITECT_SS.pdf, 2 pages.
U.S. Appl. No. 29/298,393, filed Dec. 4, 2007, Fernandez.
U.S. reissue Appl. No. 11/014,663, filed Dec. 16, 2004 (Remmers).

* cited by examiner

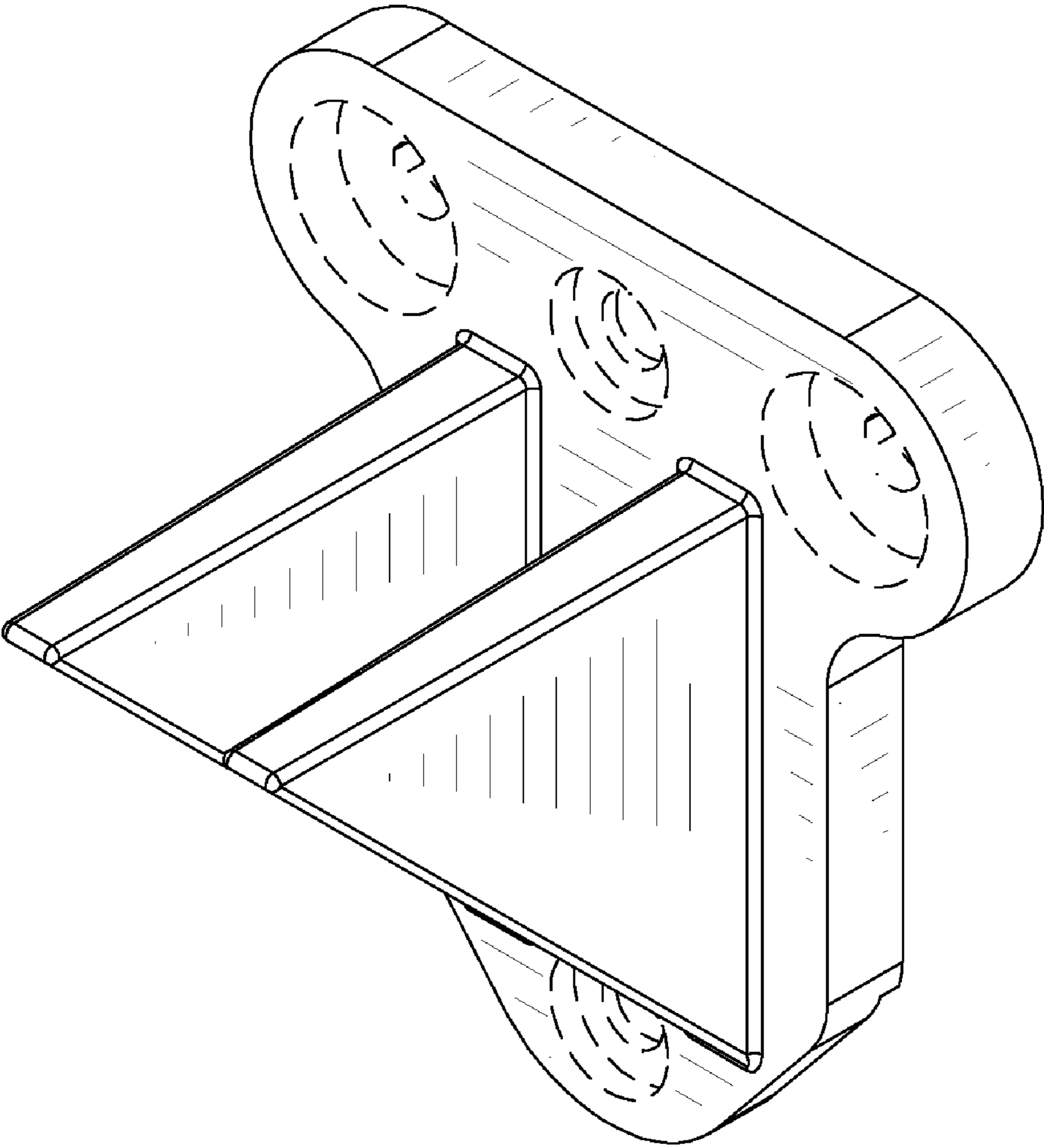


Fig. 1

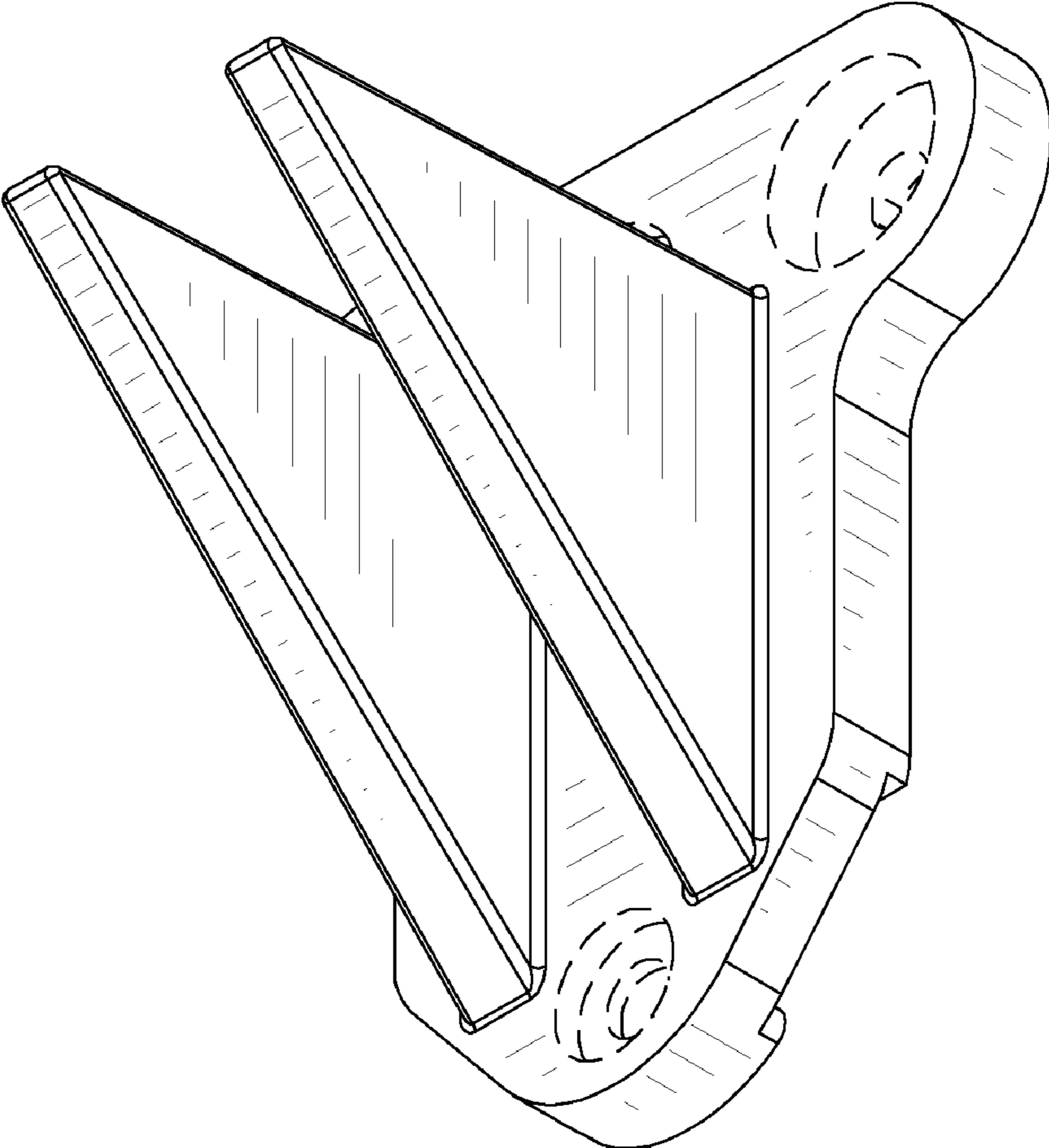


Fig. 2

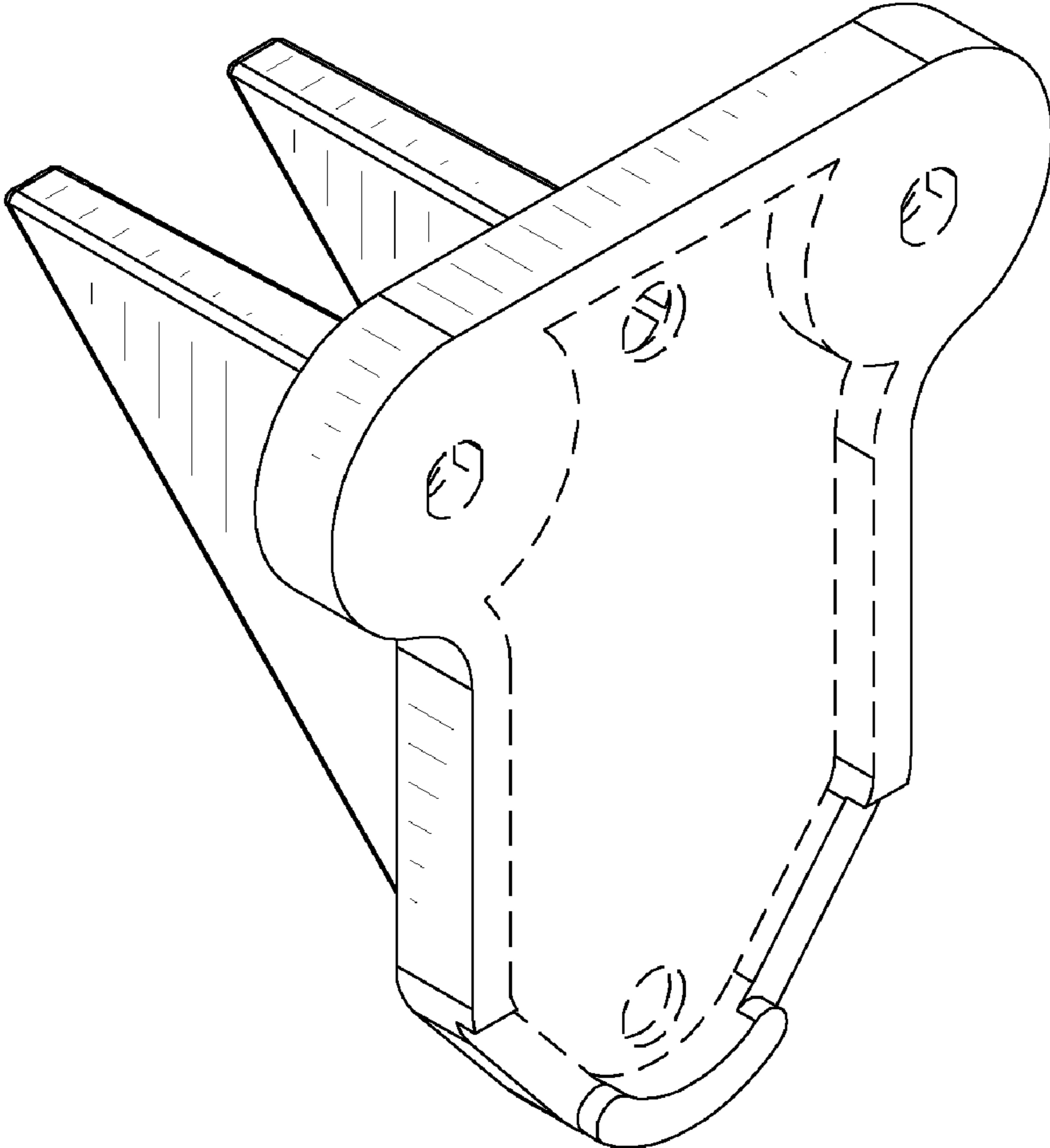


Fig. 3

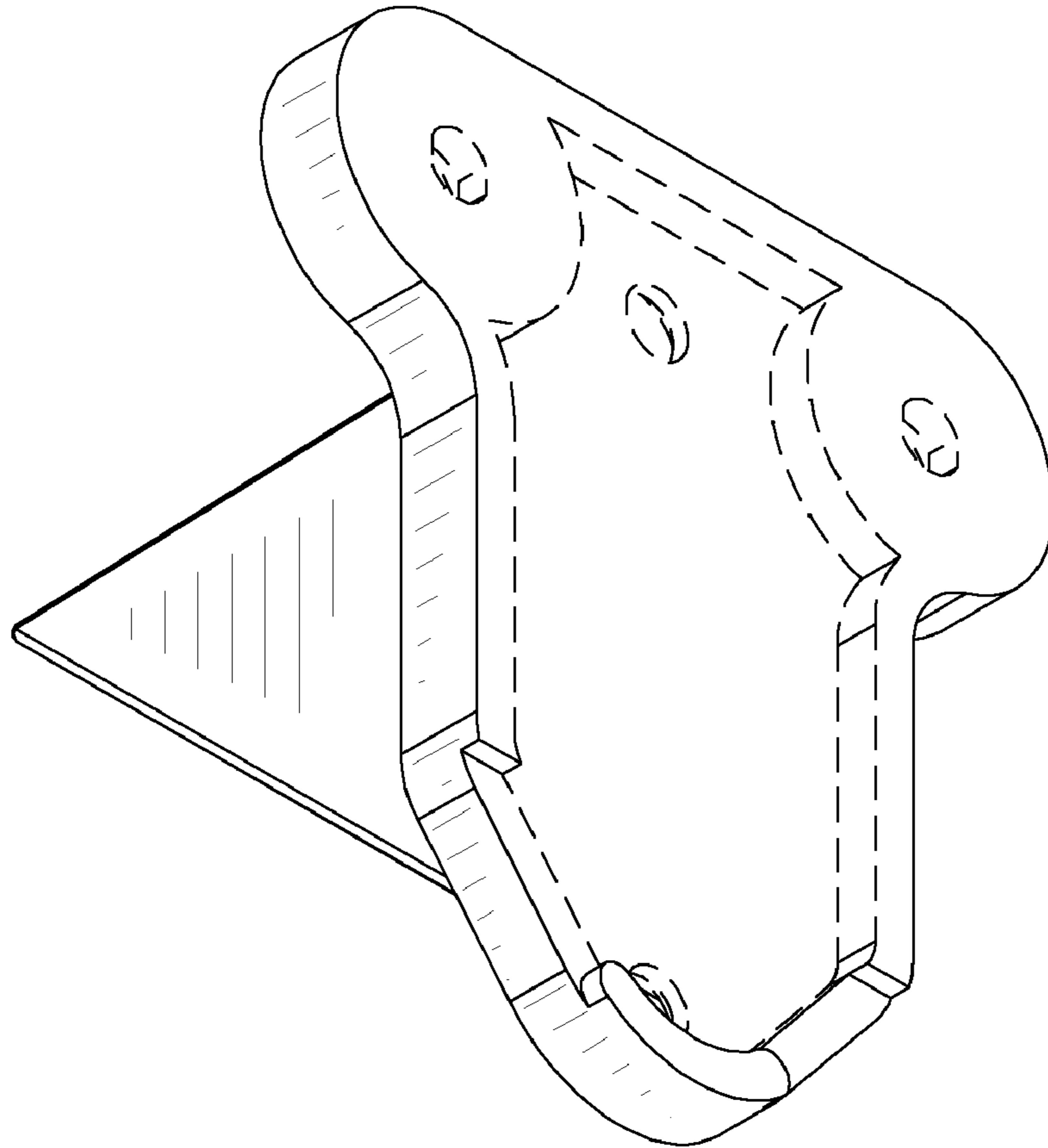


Fig. 4

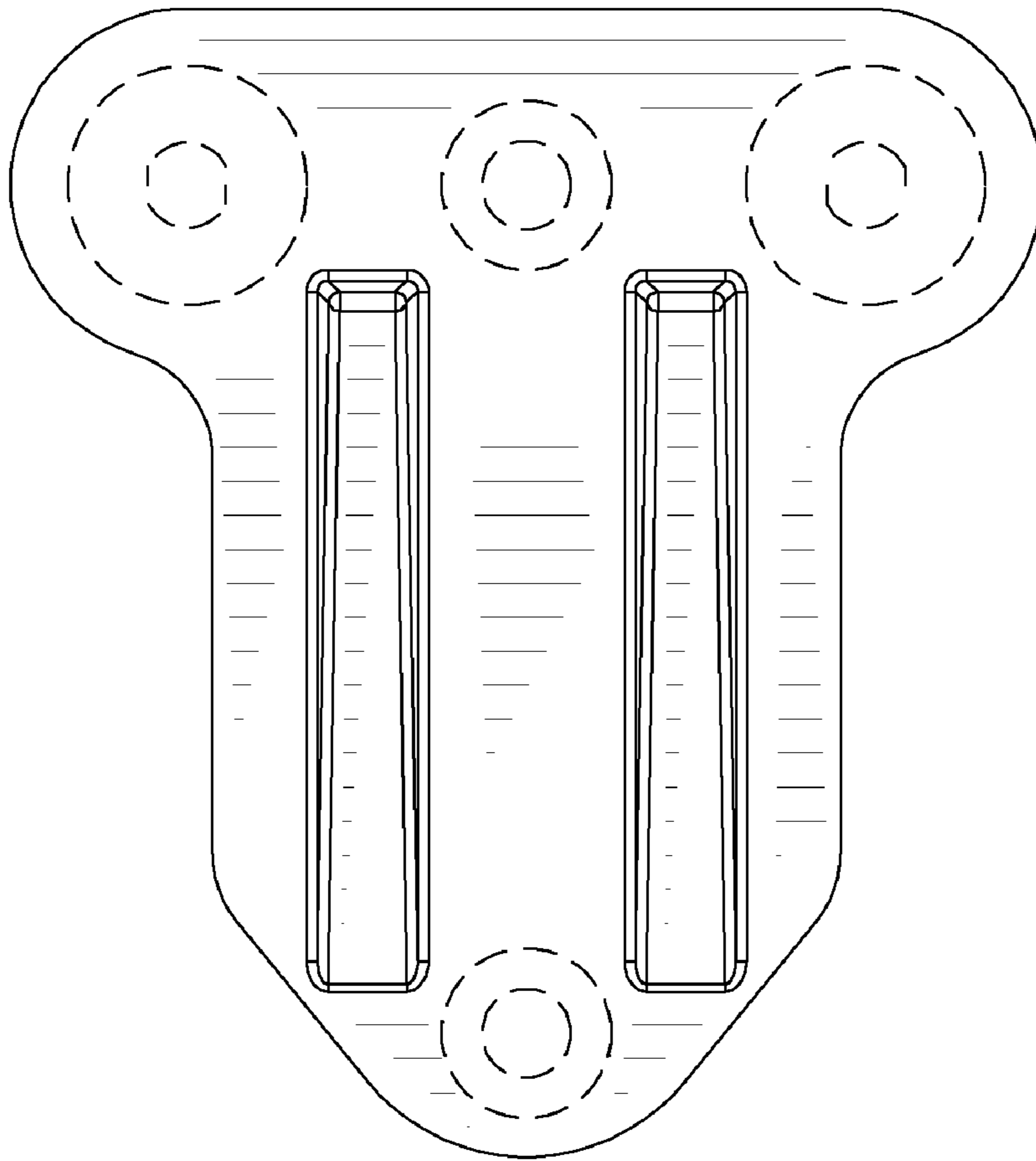


Fig. 5

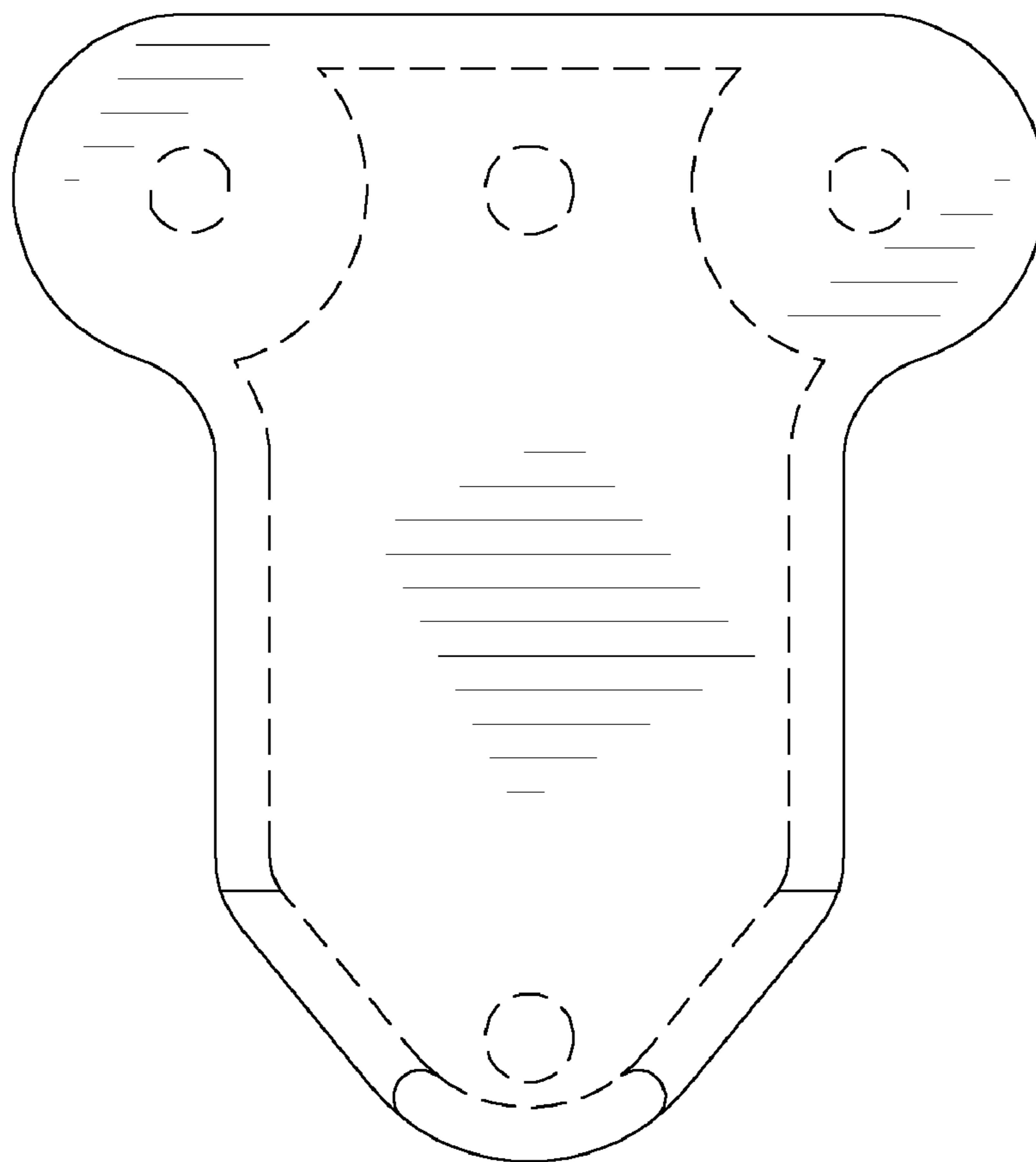


Fig. 6

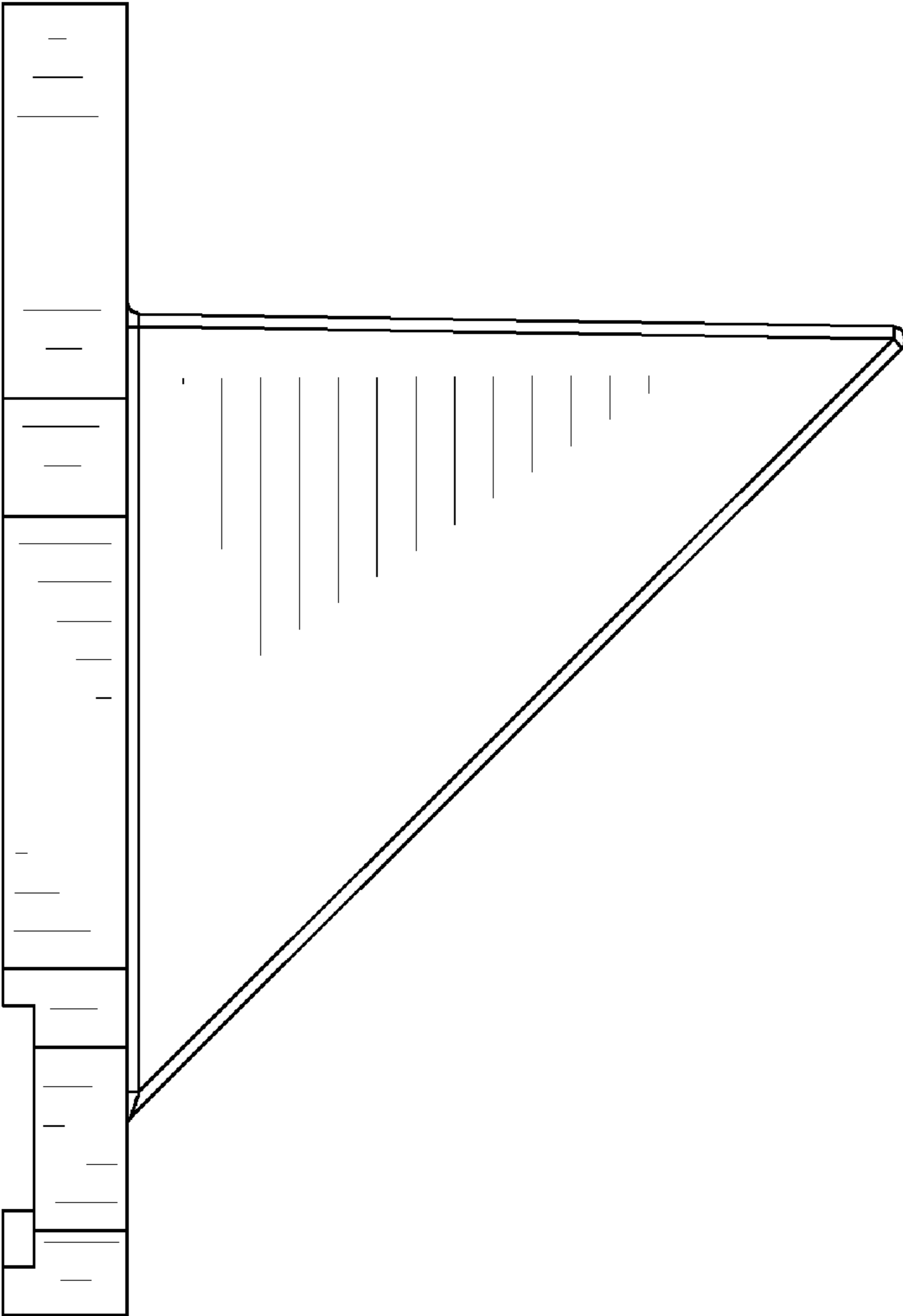


Fig. 7

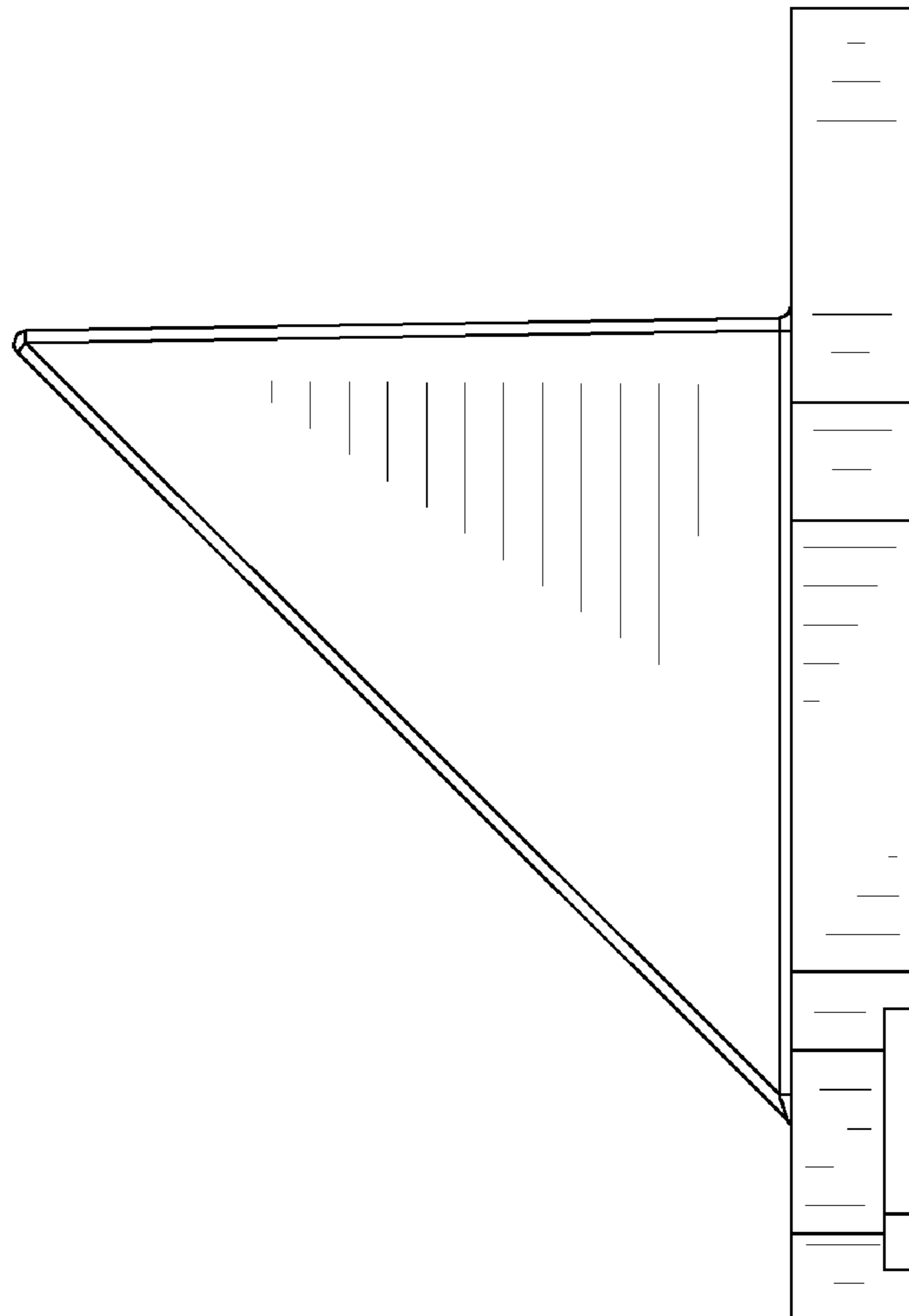


Fig. 8

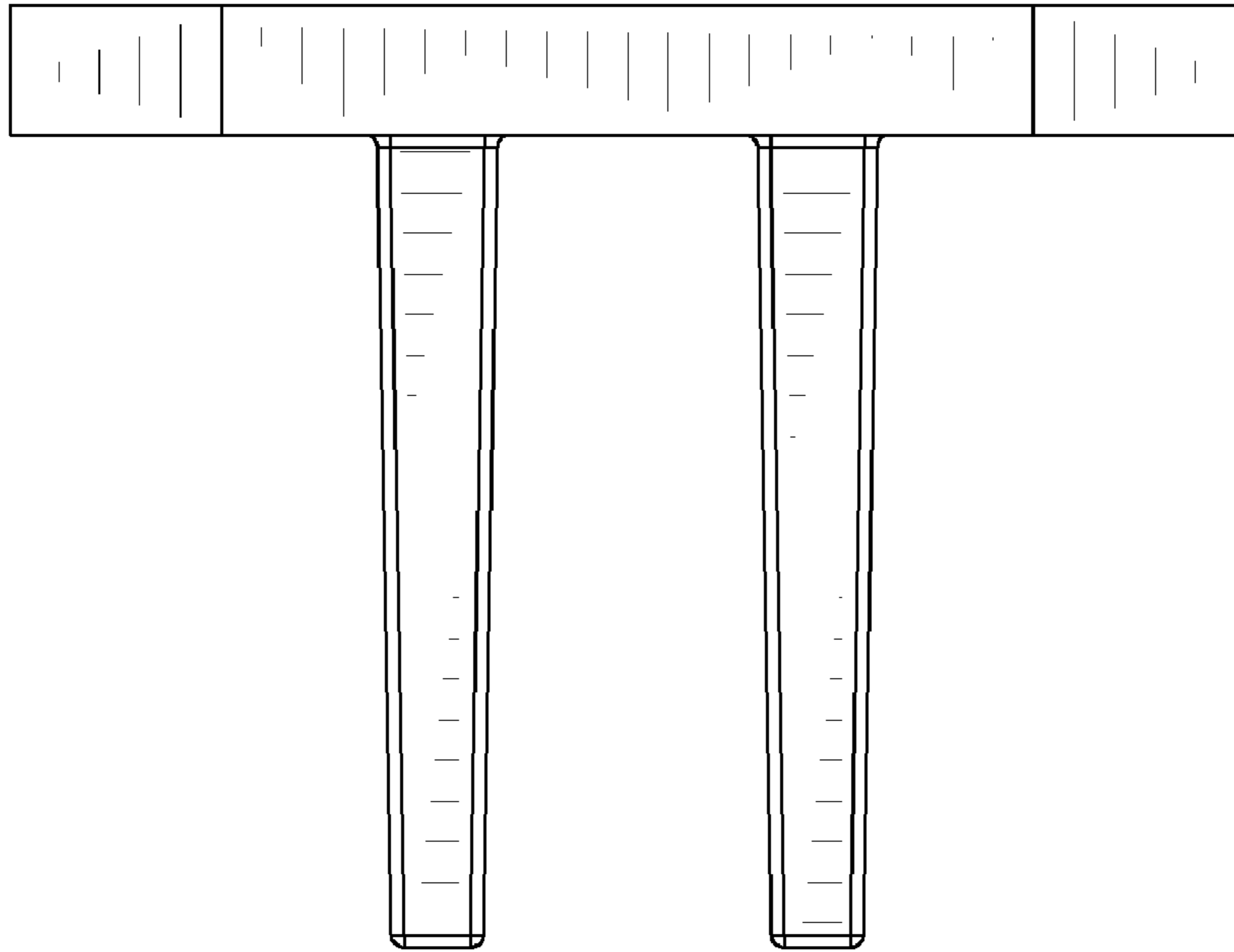


Fig. 9

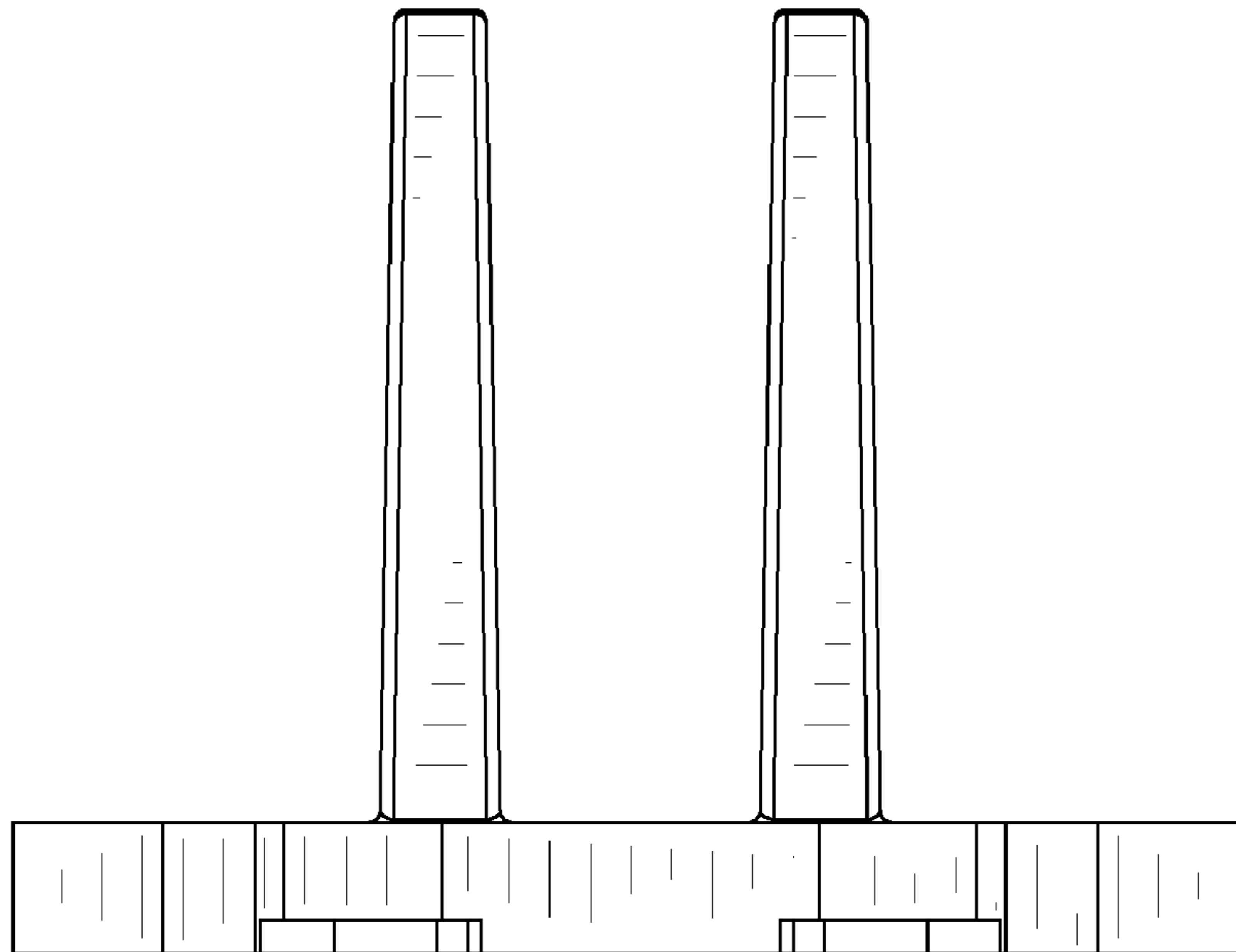


Fig. 10