



US00D604150S

(12) **United States Design Patent**
Lee

(10) **Patent No.:** **US D604,150 S**
(45) **Date of Patent:** **** Nov. 17, 2009**

(54) **PORTION OF A MOUNT**

(75) Inventor: **Michael Lee**, Winter Garden, FL (US)

(73) Assignee: **High Gear Specialties, Inc.**, Oakland, FL (US)

(**) Term: **14 Years**

(21) Appl. No.: **29/328,851**

(22) Filed: **Dec. 3, 2008**

(51) **LOC (9) Cl.** **08-05**

(52) **U.S. Cl.** **D8/373; D12/114**

(58) **Field of Classification Search** D8/70,
D8/71, 349, 354, 373, 381; D12/114, 115,
D12/223, 415; D14/251, 447; 248/178.1,
248/274.1, 278.1, 284.1

See application file for complete search history.

(56) **References Cited**

U.S. PATENT DOCUMENTS

D65,500 S *	8/1924	Schmale	D7/402
D231,195 S	4/1974	Reynolds		
D238,864 S *	2/1976	Masterson	D12/114
D242,997 S *	1/1977	Dixson	D12/114
D248,636 S	7/1978	Stanley		
D257,221 S *	10/1980	Piesner	D8/380
D265,884 S *	8/1982	Mabry	D8/354
D332,789 S	1/1993	Rak		
5,423,509 A *	6/1995	LaPorte et al.	248/311.2
D388,762 S	1/1998	Nagy		
D398,796 S	9/1998	Fauchald et al.		
5,881,936 A *	3/1999	Li	224/413
D419,415 S	1/2000	Richter		
6,113,047 A	9/2000	Wung et al.		
D454,828 S *	3/2002	Alder	D12/223
D487,270 S	3/2004	Richter		

D508,010 S *	8/2005	Matthies	D12/223
D530,333 S	10/2006	Richter		
D533,054 S	12/2006	Brassard		
D533,055 S	12/2006	Brassard		
D533,174 S	12/2006	Richter		
D547,243 S *	7/2007	Matsumura et al.	D12/118
D558,559 S *	1/2008	Tollefson	D8/354
D562,112 S *	2/2008	Harrell	D8/354
D566,647 S	4/2008	Lee		
D570,745 S *	6/2008	Camasmie	D12/114
D573,524 S *	7/2008	Smith et al.	D12/223
D587,640 S *	3/2009	Fraser et al.	D12/223
2005/0267674 A1 *	12/2005	Suzuki et al.	701/200
2008/0179478 A1 *	7/2008	Lee	248/276.1
2008/0284129 A1 *	11/2008	McVickar	280/288.4
2009/0045303 A1 *	2/2009	Andkjar	248/178.1
2009/0134655 A1 *	5/2009	Paluszkiewicz	296/78.1

* cited by examiner

Primary Examiner—Sandra Snapp

Assistant Examiner—Patricia Palasik

(74) *Attorney, Agent, or Firm*—GrayRobinson, P.A.

(57) **CLAIM**

The ornamental design of a portion of a mount, as shown and described.

DESCRIPTION

FIG. 1 is a perspective view of my ornamental design of a portion of a mount;

FIG. 2 is a front view thereof;

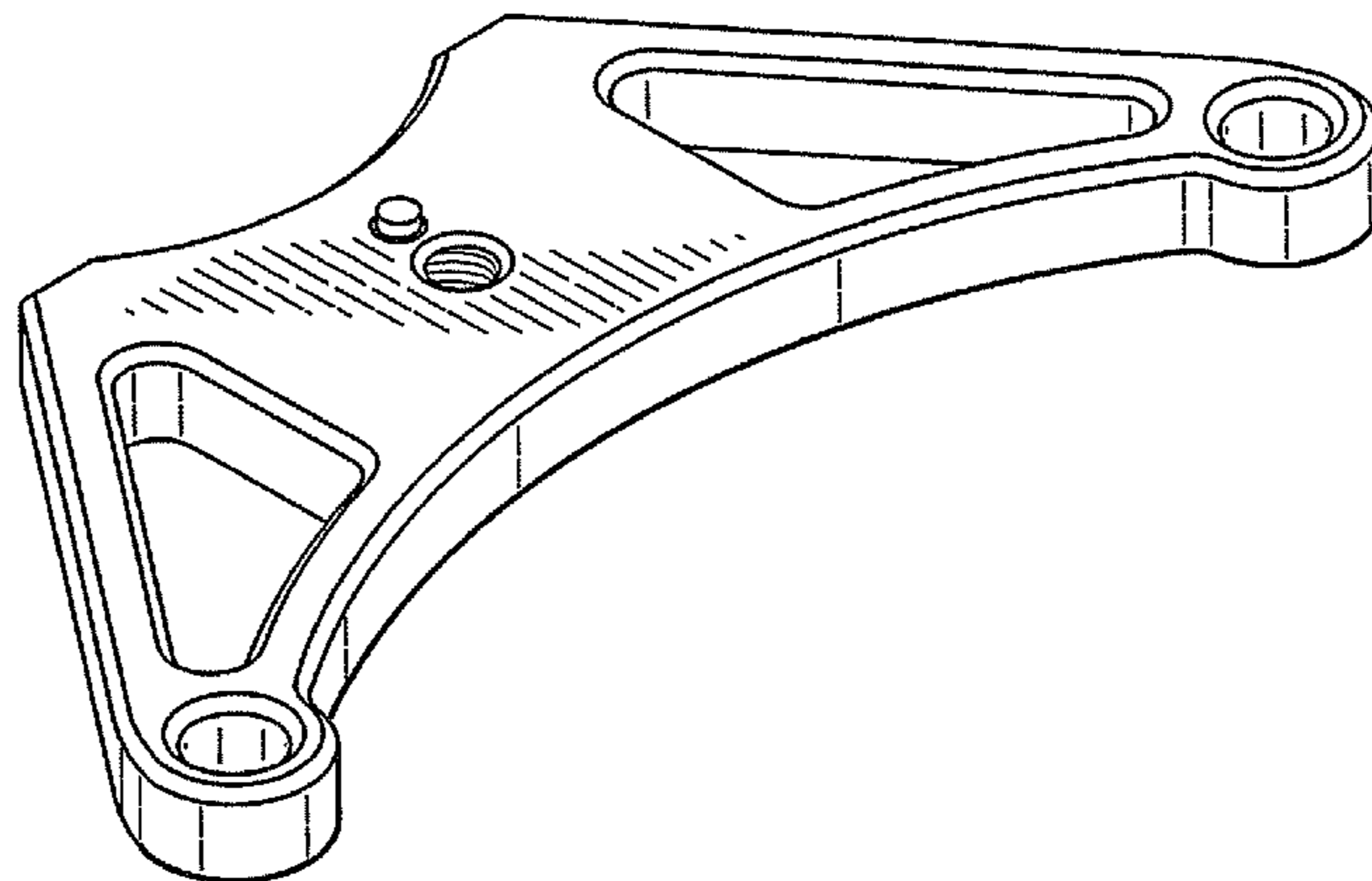
FIG. 3 is a rear view thereof;

FIG. 4 is a side view thereof;

FIG. 5 is a top, plan view thereof; and,

FIG. 6 is a bottom, plan view thereof.

1 Claim, 2 Drawing Sheets



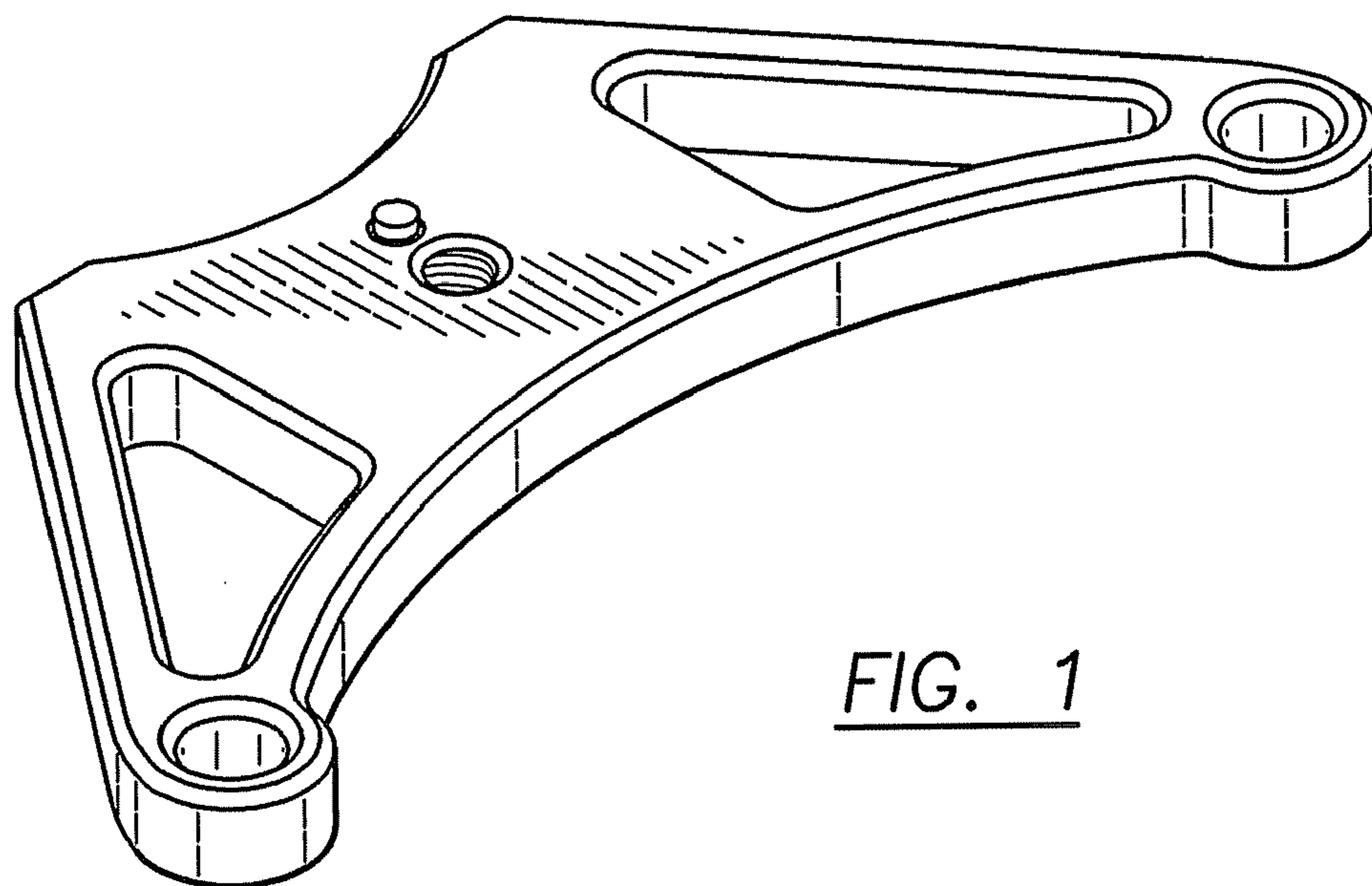


FIG. 1

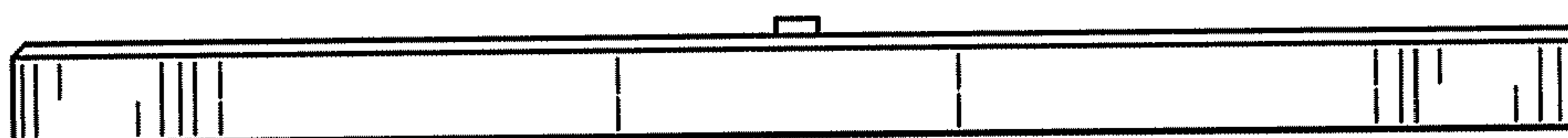


FIG. 2

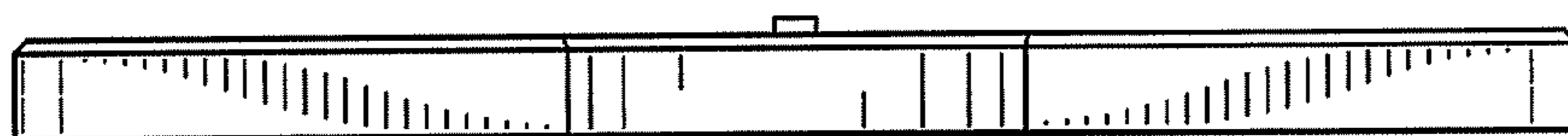


FIG. 3



FIG. 4

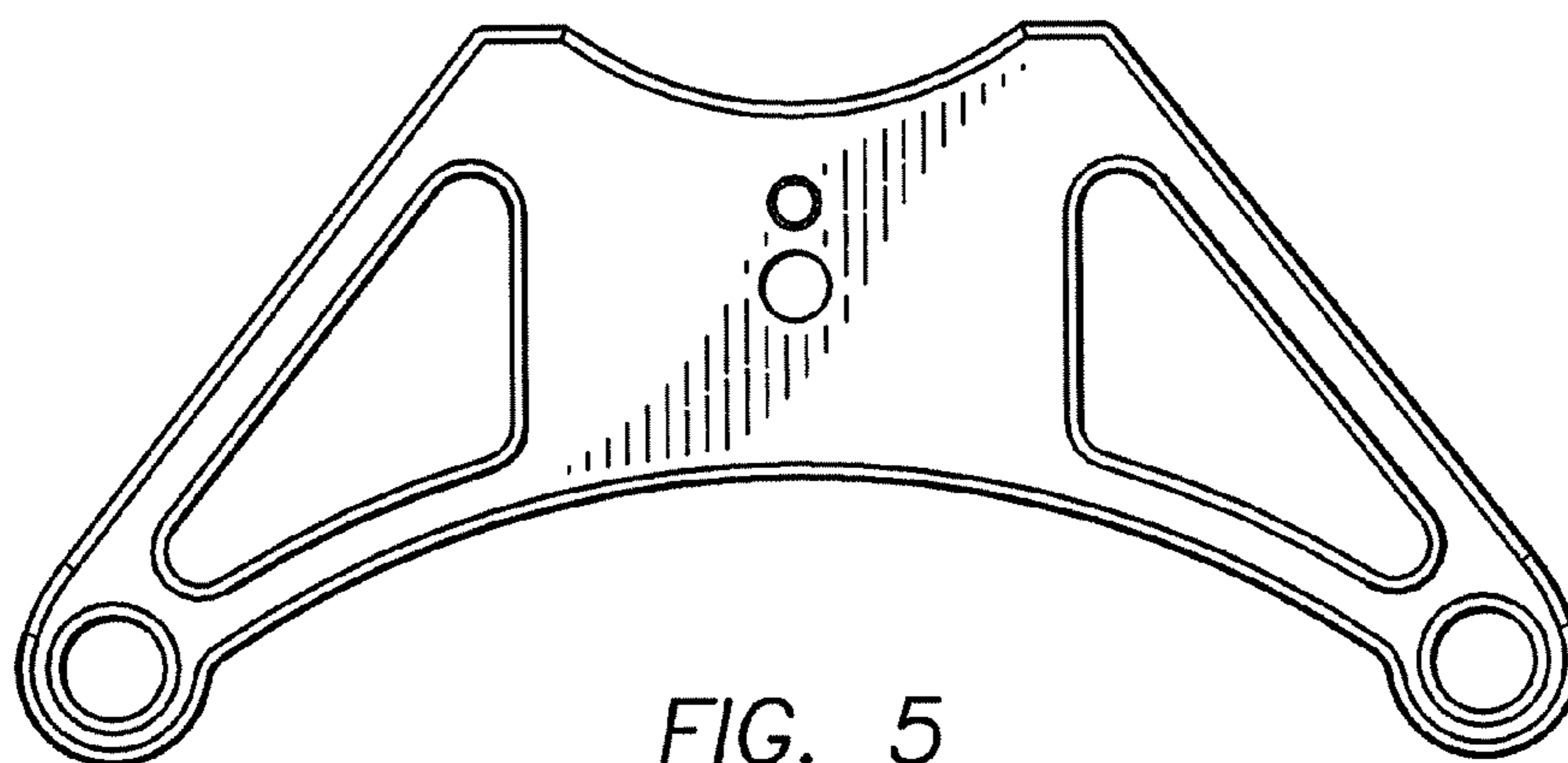


FIG. 5

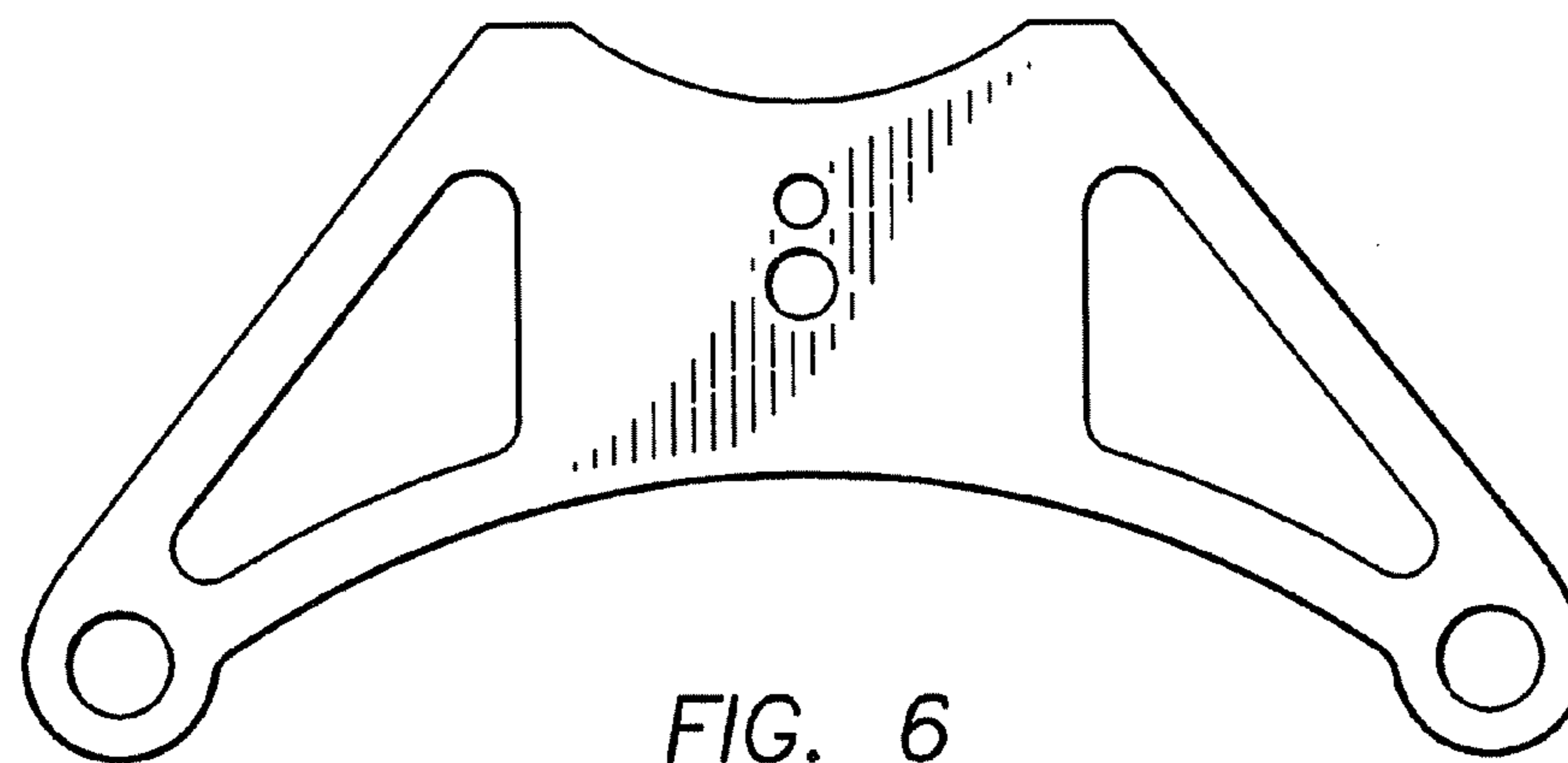


FIG. 6