



US00D604149S

(12) **United States Design Patent**
Mussallem et al.

(10) **Patent No.:** **US D604,149 S**

(45) **Date of Patent:** **** *Nov. 17, 2009**

(54) **INTERLOCKING SPACER MEMBER FOR HOLDING AN OBJECT IN SPACED RELATION TO A WALL SURFACE**

Primary Examiner—Holly H Baynham
Assistant Examiner—Cynthia M Chin
(74) *Attorney, Agent, or Firm*—Harris Zimmerman

(75) Inventors: **Poppy Mussallem**, P.O. Box 633, Oakridge, OR (US) 97643; **Robert Williams**, San Carlos, CA (US)

(57) **CLAIM**

The ornamental design for a interlocking spacer member for holding an object in spaced relation to a wall surface, as shown and described.

(73) Assignee: **Poppy Mussallem**

(*) Notice: This patent is subject to a terminal disclaimer.

DESCRIPTION

(**) Term: **14 Years**

FIG. 1 is an exploded perspective view of the interlocking male and female members for holding an object in spaced relation to a wall surface and shown on an enlarged scale.

(21) Appl. No.: **29/301,906**

FIG. 2 is a perspective view of the male and female members in interlocking relation.

(22) Filed: **Mar. 21, 2008**

FIG. 3 is a top view of the male member.

(51) **LOC (9) Cl.** **08-05**

FIG. 4 is a top view of the female member.

(52) **U.S. Cl.** **D8/363**

FIG. 5 is a left side view of the male member, the right side view being a mirror image thereof.

(58) **Field of Classification Search** D8/349, D8/354, 363, 373, 380; D21/389, 484, 487; 248/475.1, 496, 497, 49, 309.1, 310, 311.2, 248/311.39; 273/236, 288–290; 446/109, 446/111, 116, 120, 121, 124, 127
See application file for complete search history.

FIG. 6 is a left side view of the female member, the right side view being a mirror image thereof.

FIG. 7 is an end view taken from the right hand side of FIG. 5;

(56) **References Cited**

U.S. PATENT DOCUMENTS

1,675,771	A *	7/1928	Sterling	248/497
3,881,731	A *	5/1975	Droney	273/290
5,433,416	A *	7/1995	Johnson	248/475.1
D392,692	S *	3/1998	Windom	D21/389
D405,841	S *	2/1999	Hasegawa	D21/386
6,032,956	A *	3/2000	Bogucz	273/236
6,523,800	B2 *	2/2003	Hsu	248/499
D547,637	S *	7/2007	Blacker	D8/354
D551,949	S *	10/2007	Mussallem et al.	D8/363
D562,672	S *	2/2008	Mussallem et al.	D8/363
2005/0156094	A1 *	7/2005	Mussallem et al.	248/475.1

FIG. 8 is an end view taken from the left hand side of FIG. 6;

FIG. 9 is a bottom view of the male member.

FIG. 10 is a bottom view of the female member.

FIG. 11 is a front view.

FIG. 12 is a rear view.

FIG. 13 is an exploded perspective view similar to FIG. 1, but showing a modified form of the invention.

FIG. 14 is a perspective view of the male and female members of the modified form in interlocking relationship.

FIG. 15 is a top view of the male member of the modified form.

FIG. 16 is a top view of the female member of the modified form.

FIG. 17 is a left side view of the male member of the modified form.

* cited by examiner

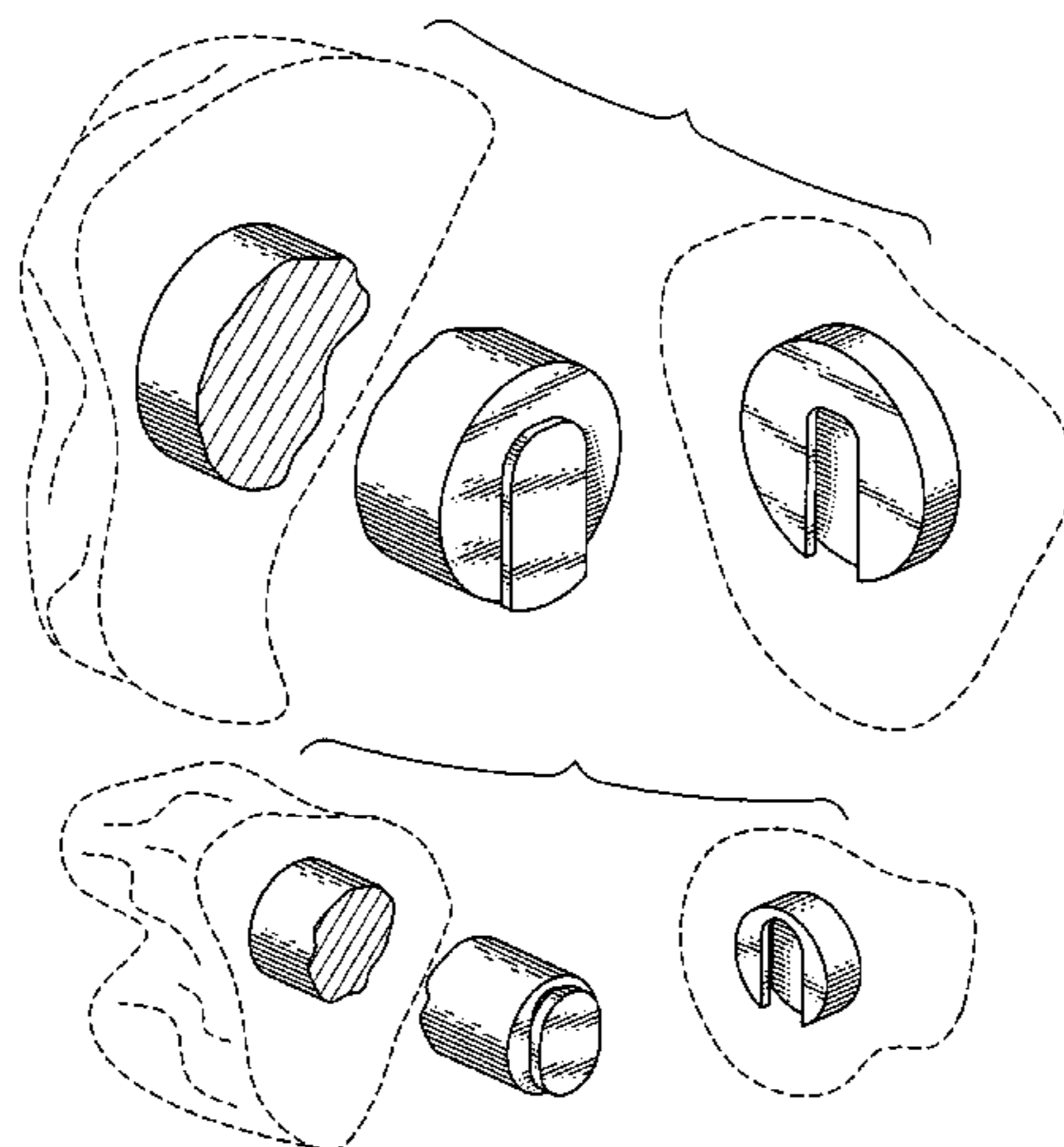


FIG. **18** is a left side view of the female member of the modified form.

FIG. **19** is an end view taken from the right hand side of FIG. **17**;

FIG. **20** is an end view taken from the left hand side of FIG. **18**;

FIG. **21** is a bottom view of the male member of the modified form.

FIG. **22** is a bottom view of the female member of the modified form.

FIG. **23** is a front view of the modified form; and,

FIG. **24** is a rear view of the modified form.

Portions of the interlocking spacer member have been shown separately for the clarity of illustration. The male member of interlocking spacer member has been broken away to indicate that no particular length is claimed. The broken lines represent the environment in which the design resides and forms no part of the claim.

1 Claim, 4 Drawing Sheets

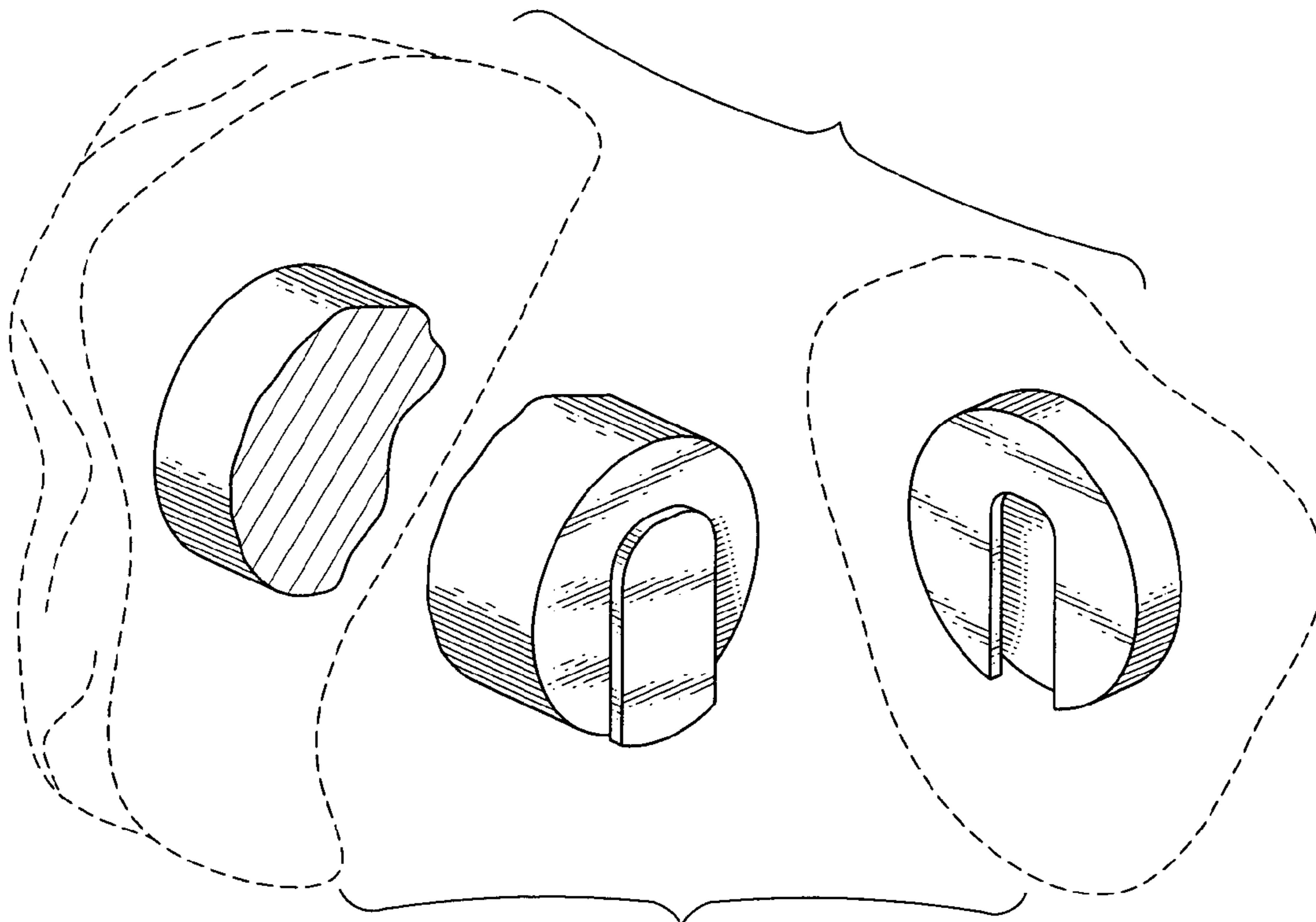


Fig. 1

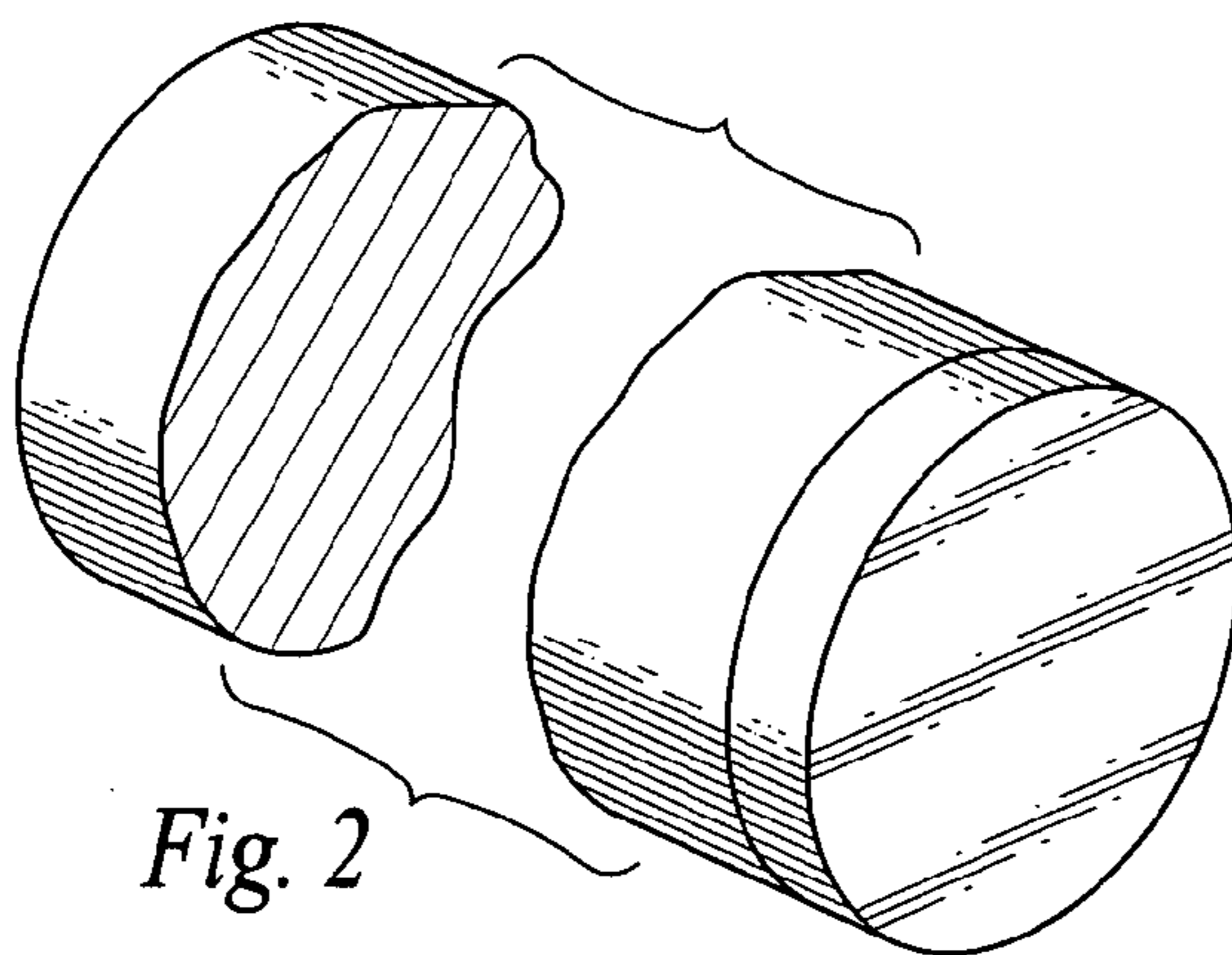


Fig. 2

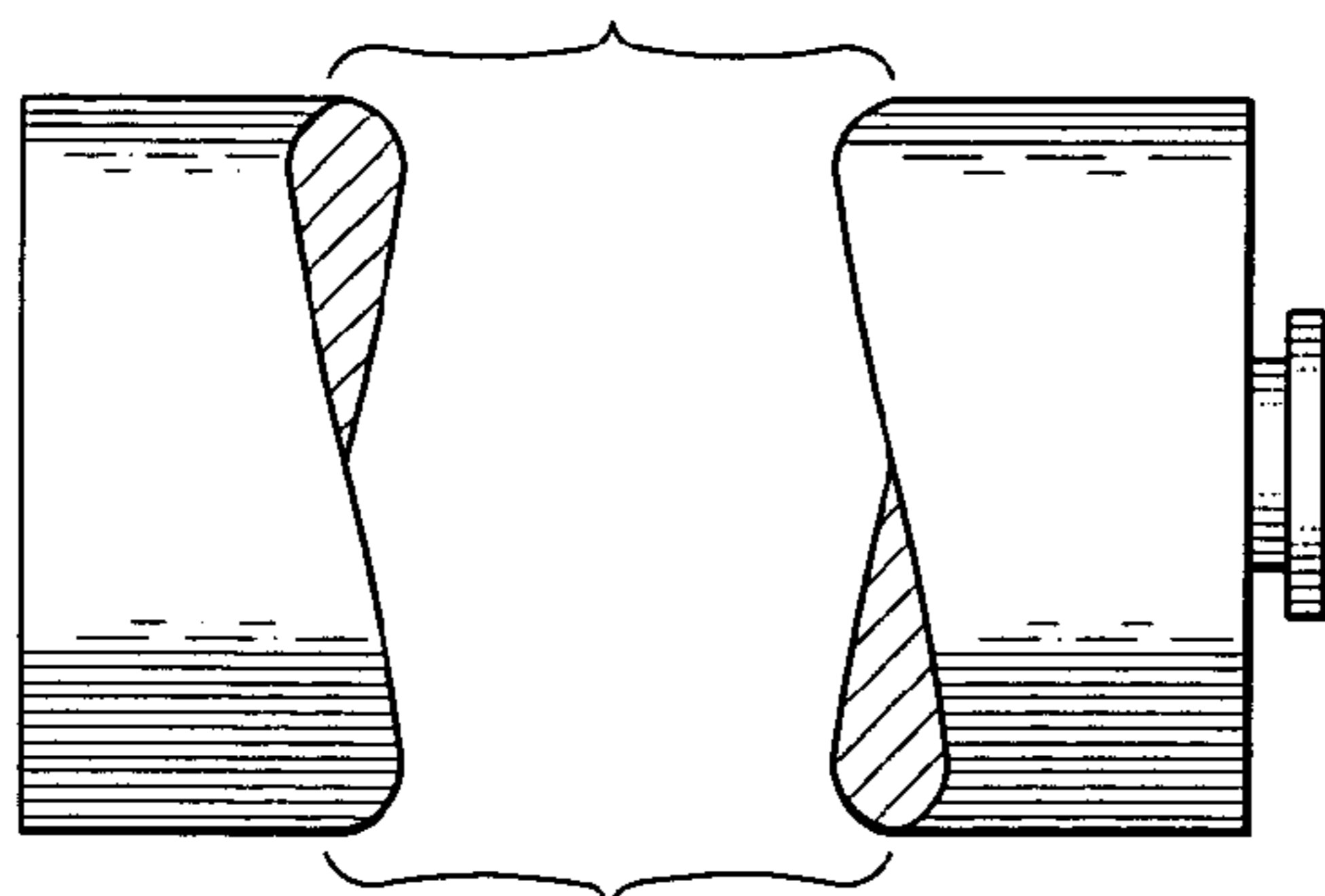


Fig. 3

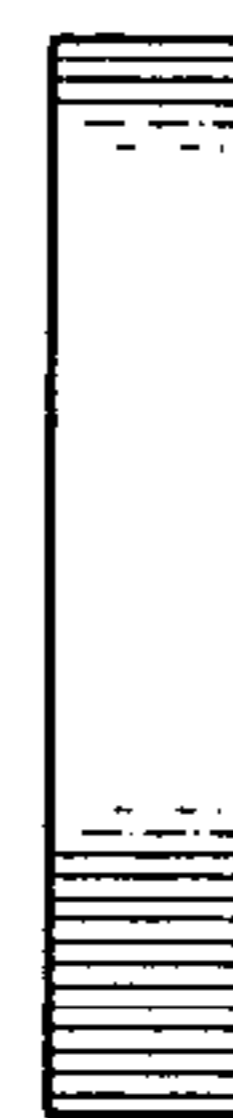


Fig. 4

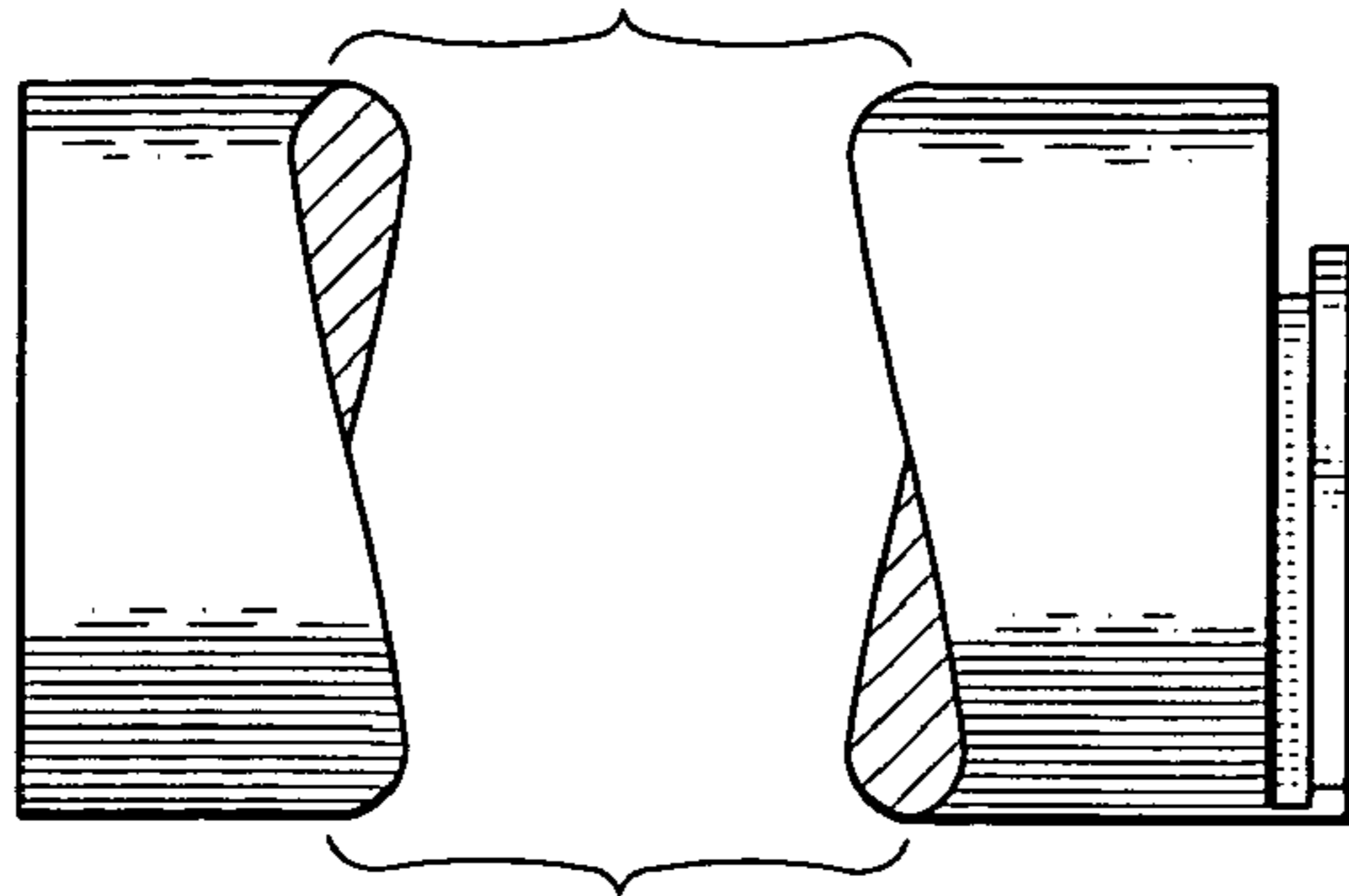


Fig. 5



Fig. 6

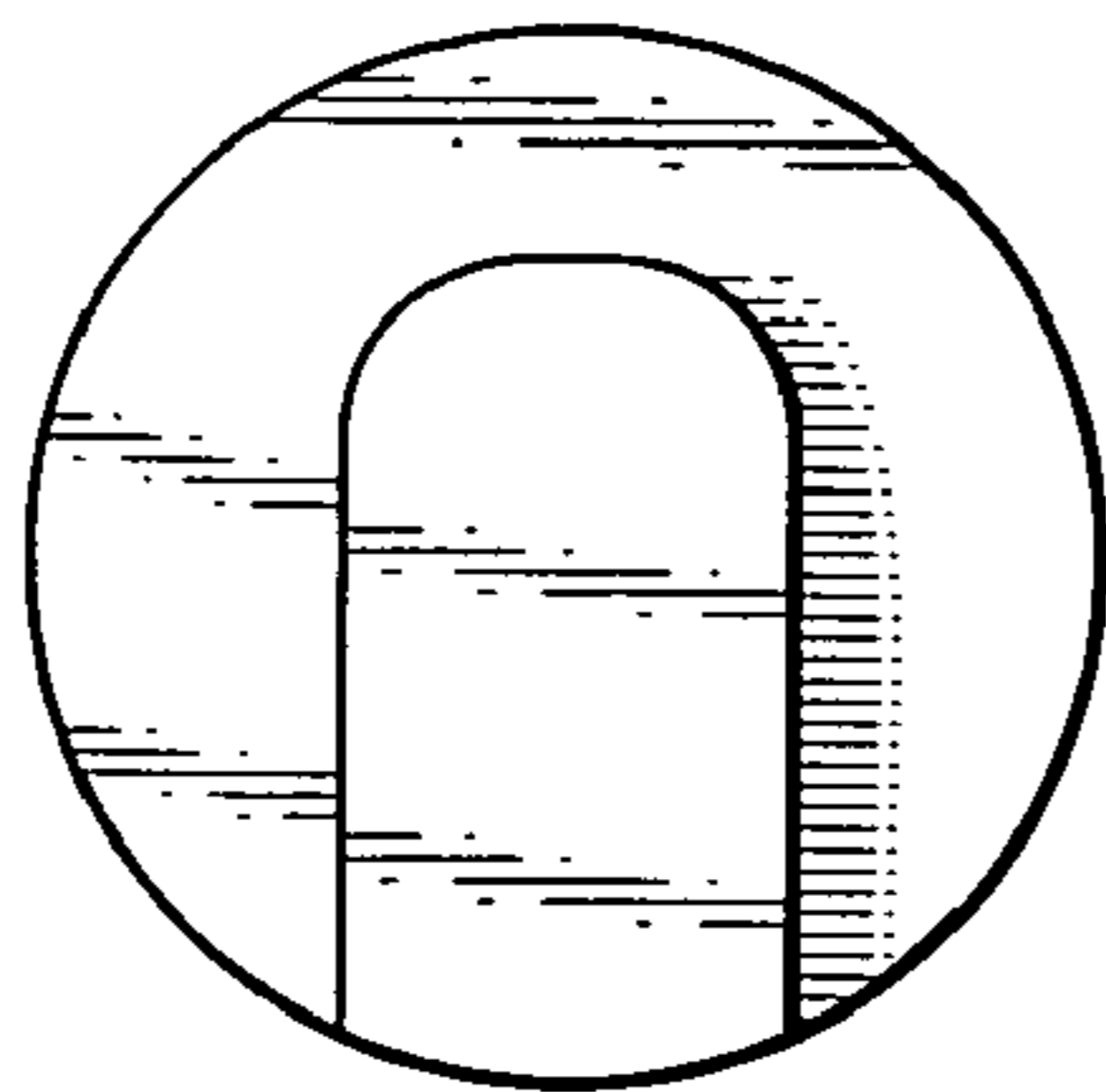


Fig. 7

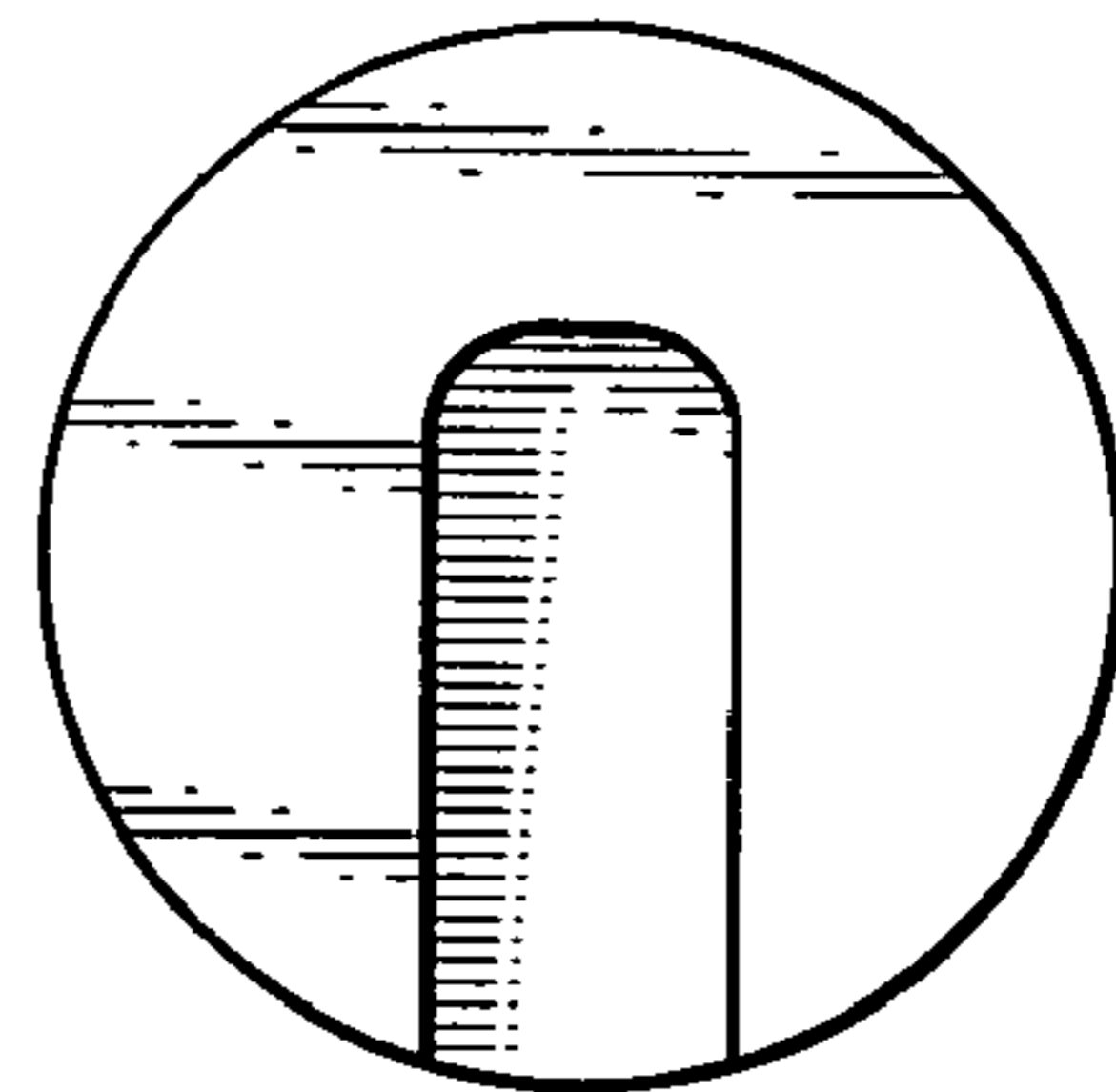


Fig. 8

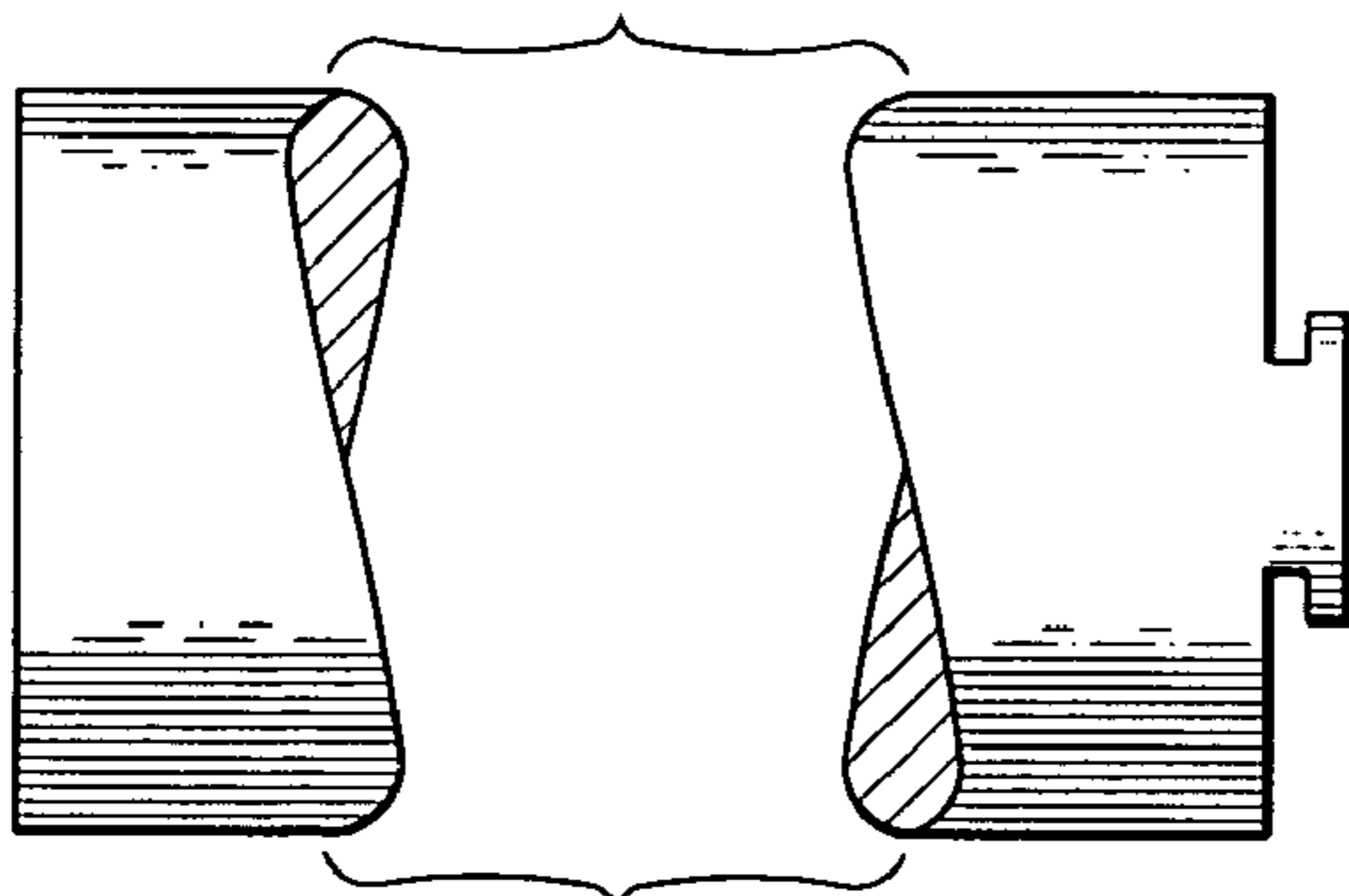


Fig. 9

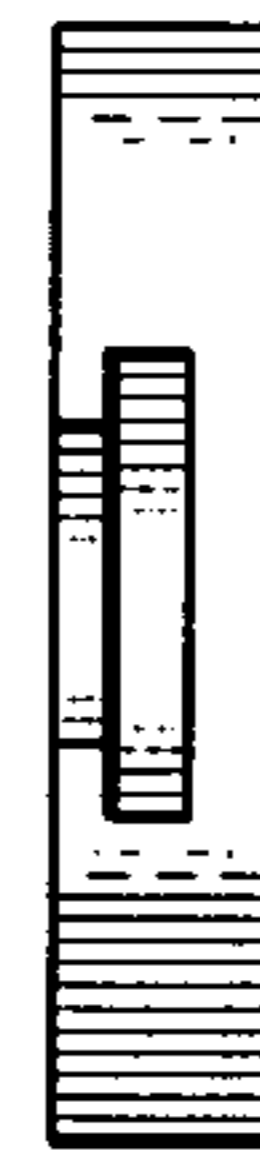


Fig. 10

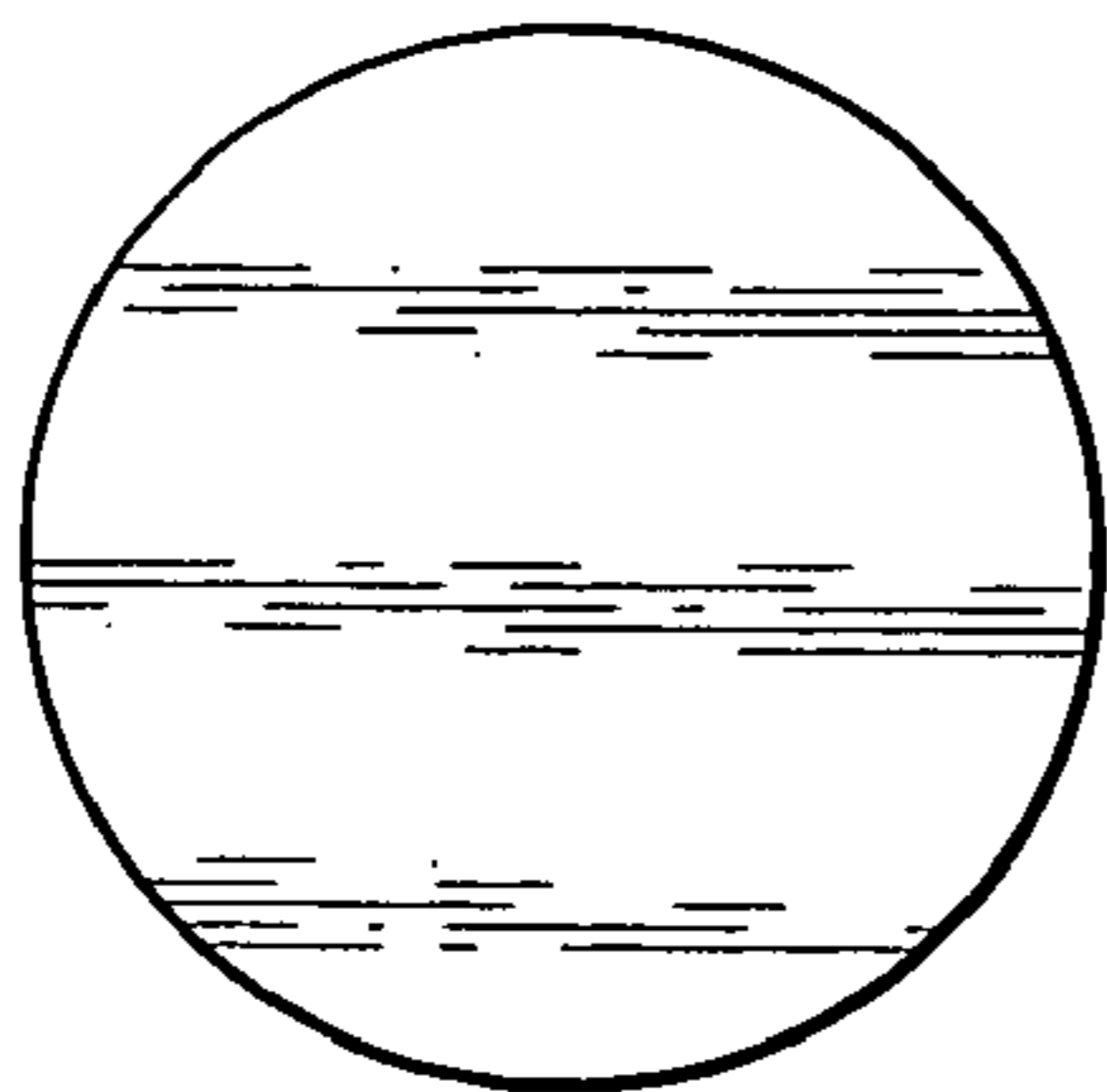


Fig. 11

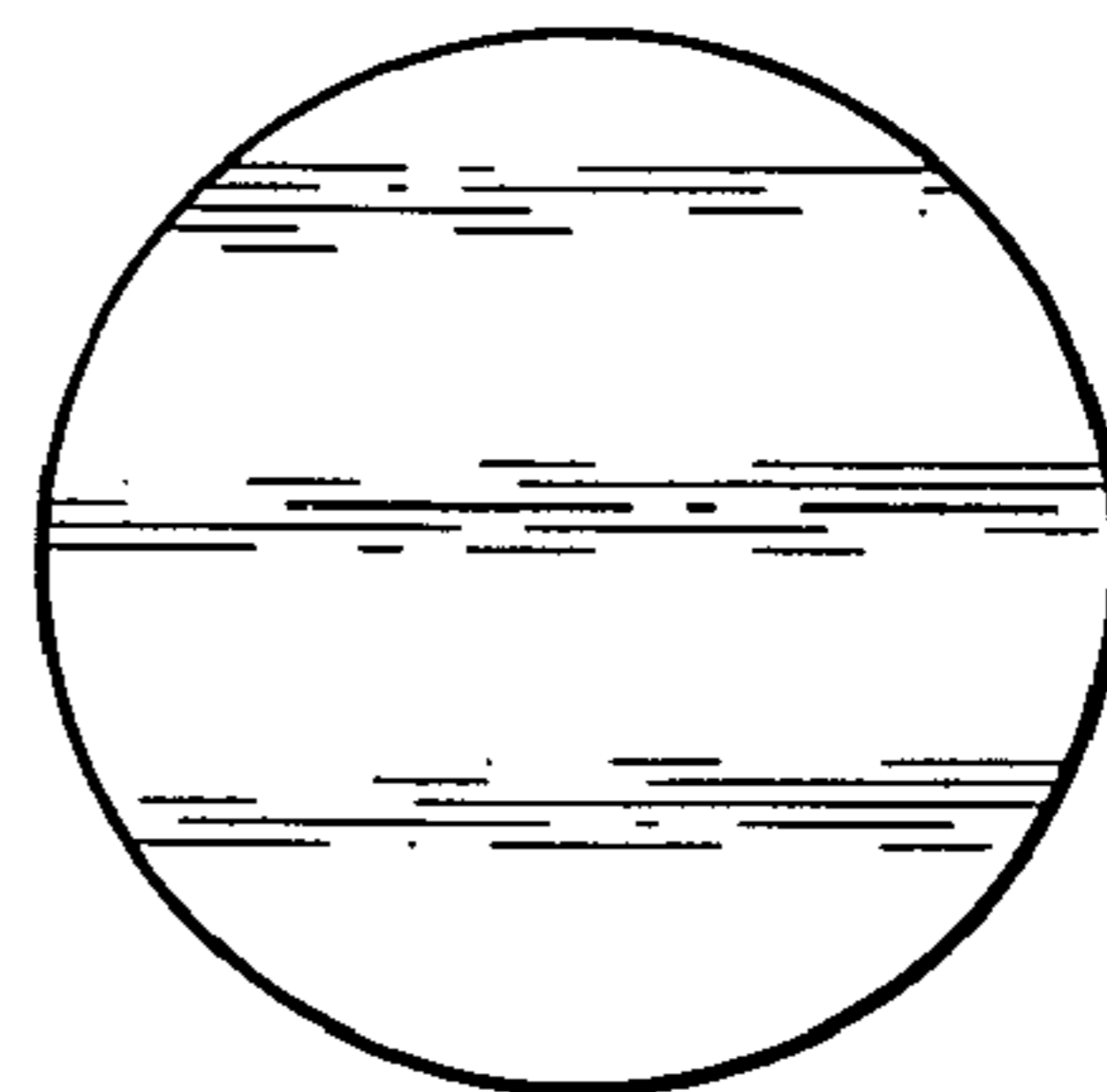


Fig. 12

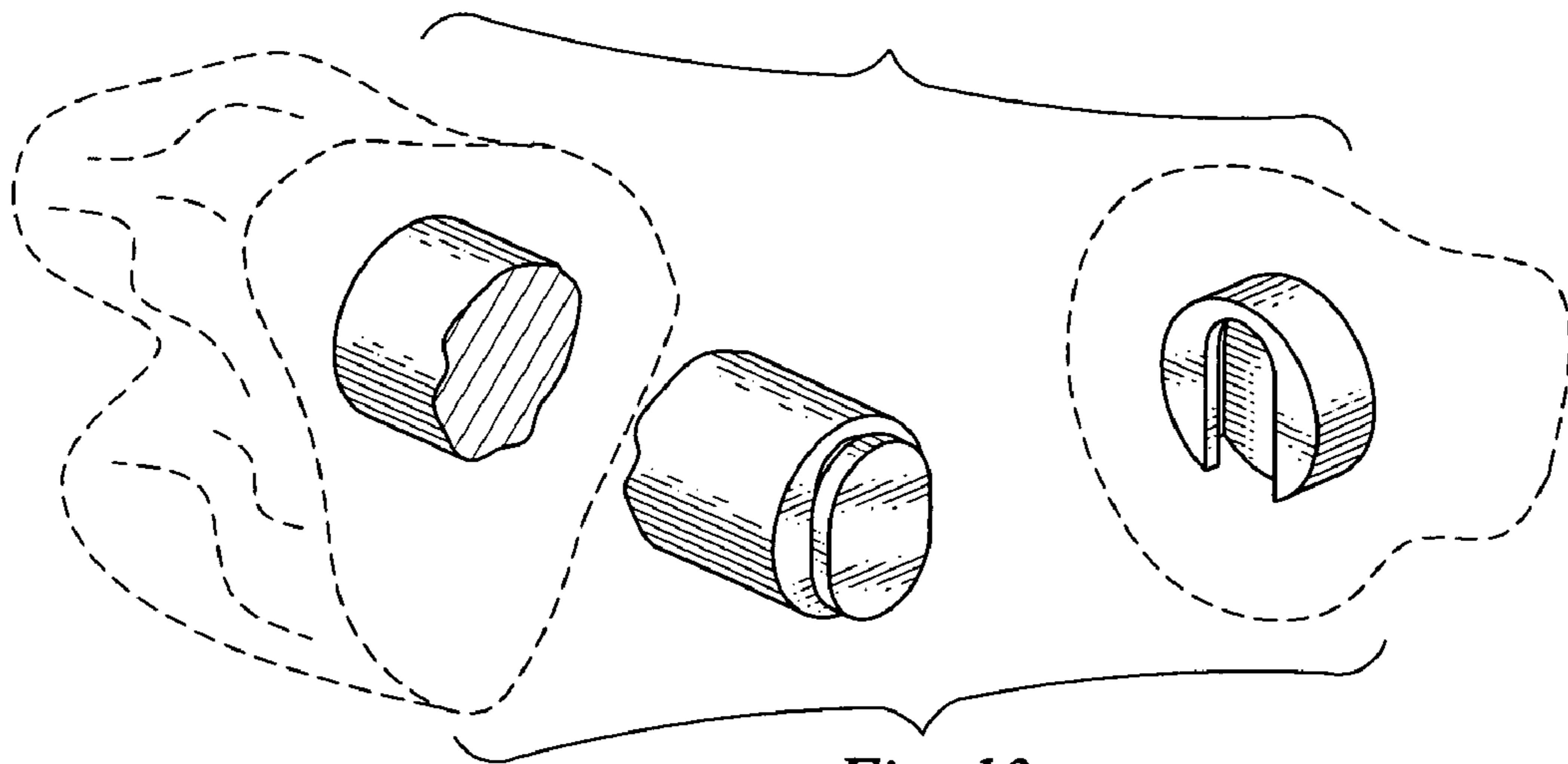


Fig. 13

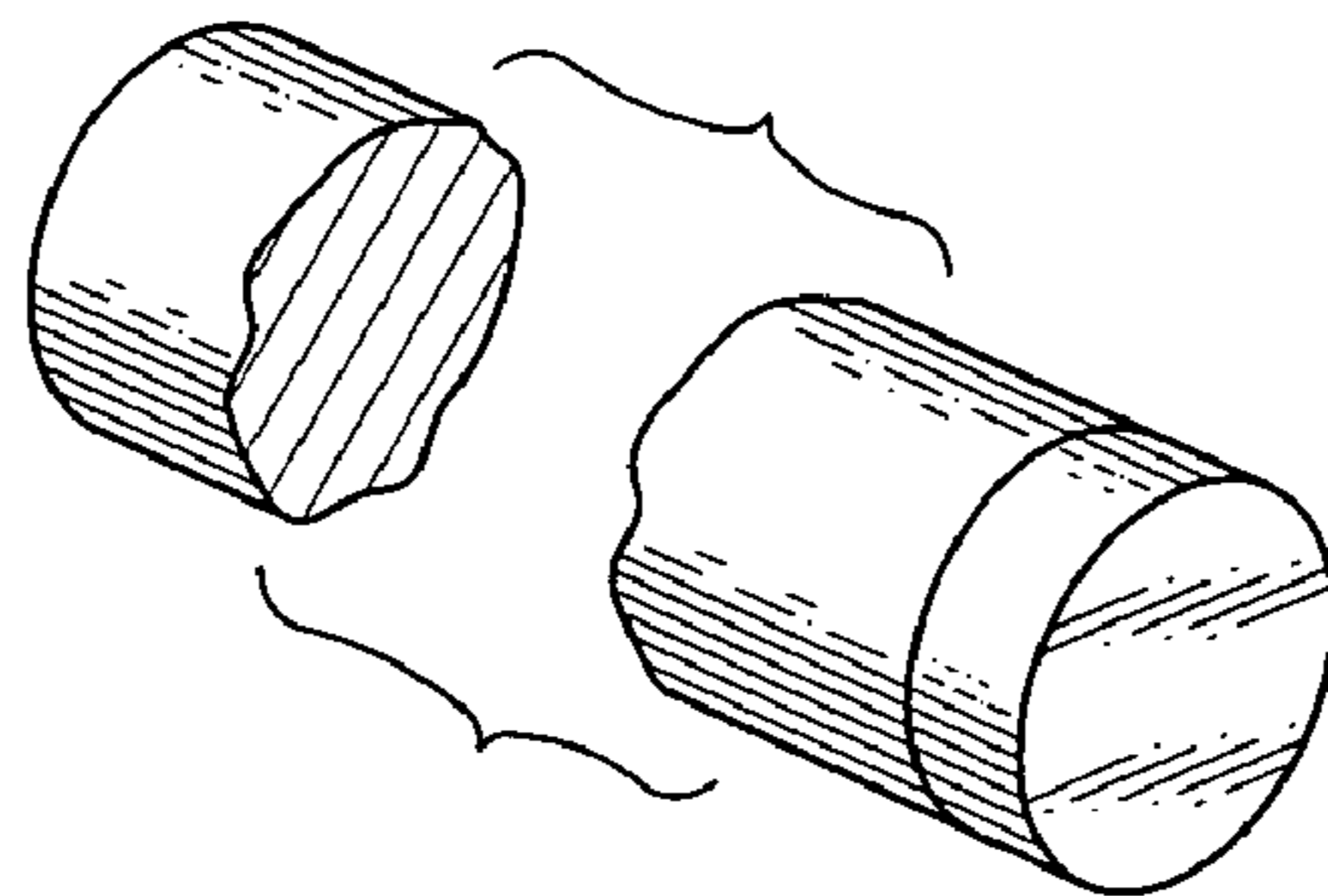


Fig. 14

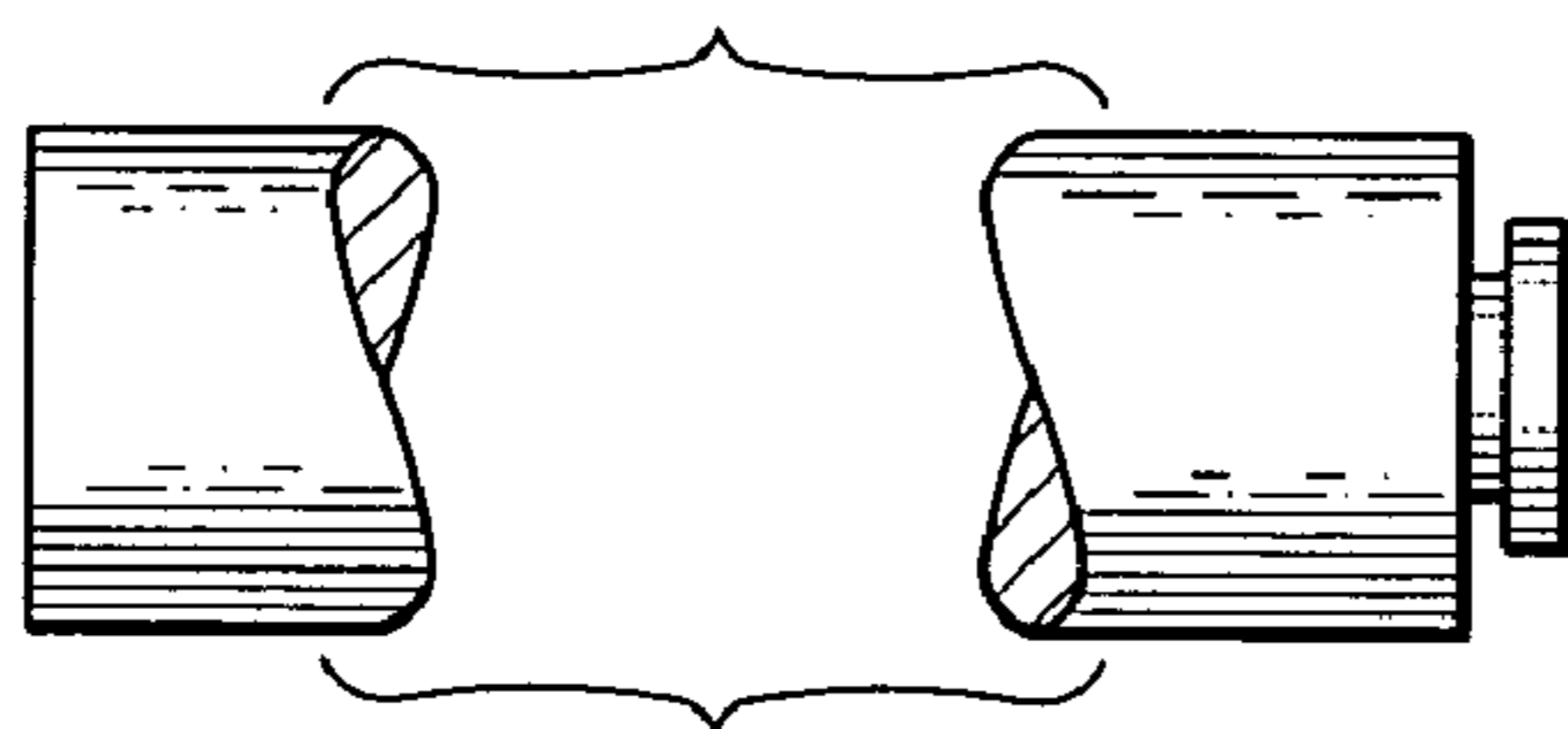


Fig. 15



Fig. 16

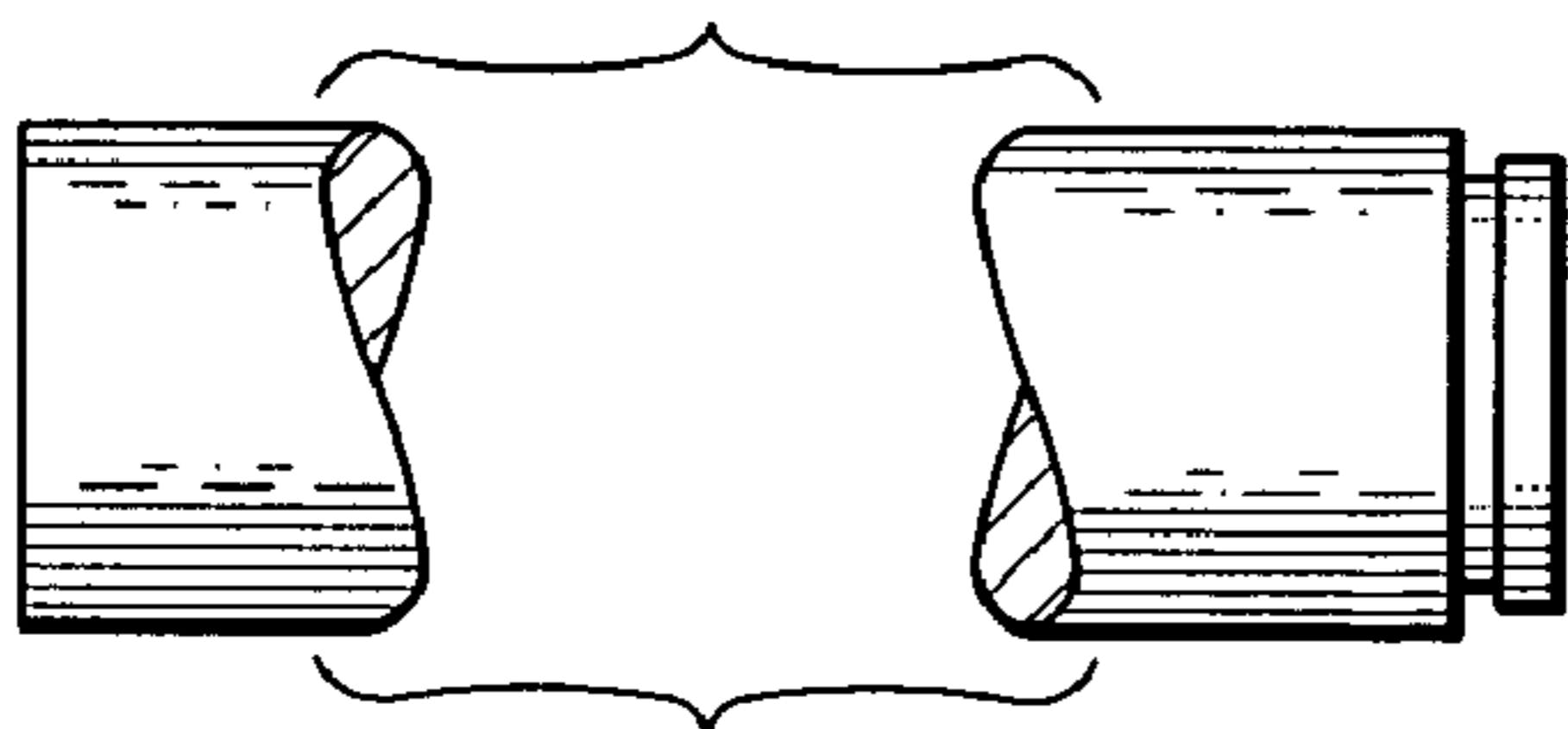


Fig. 17



Fig. 18

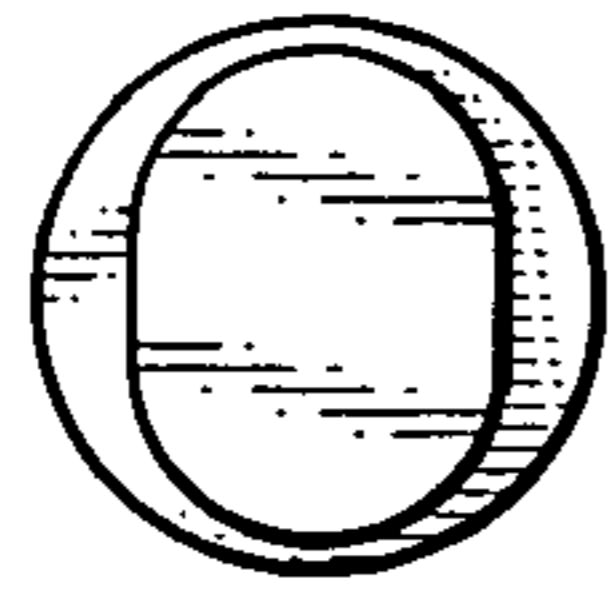


Fig. 19

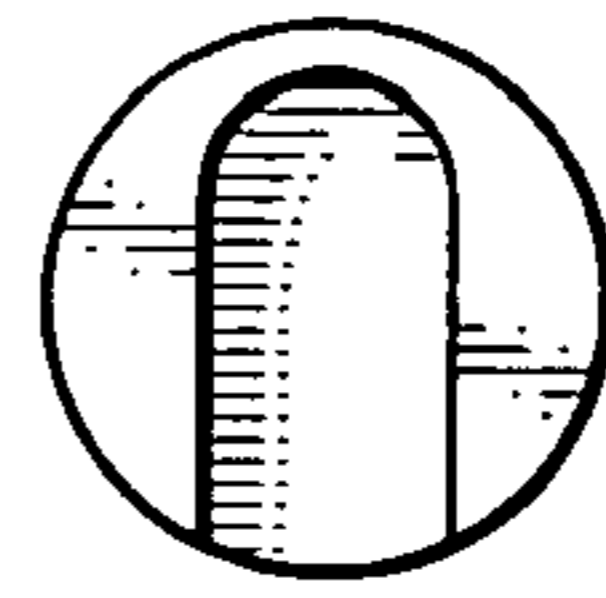


Fig. 20

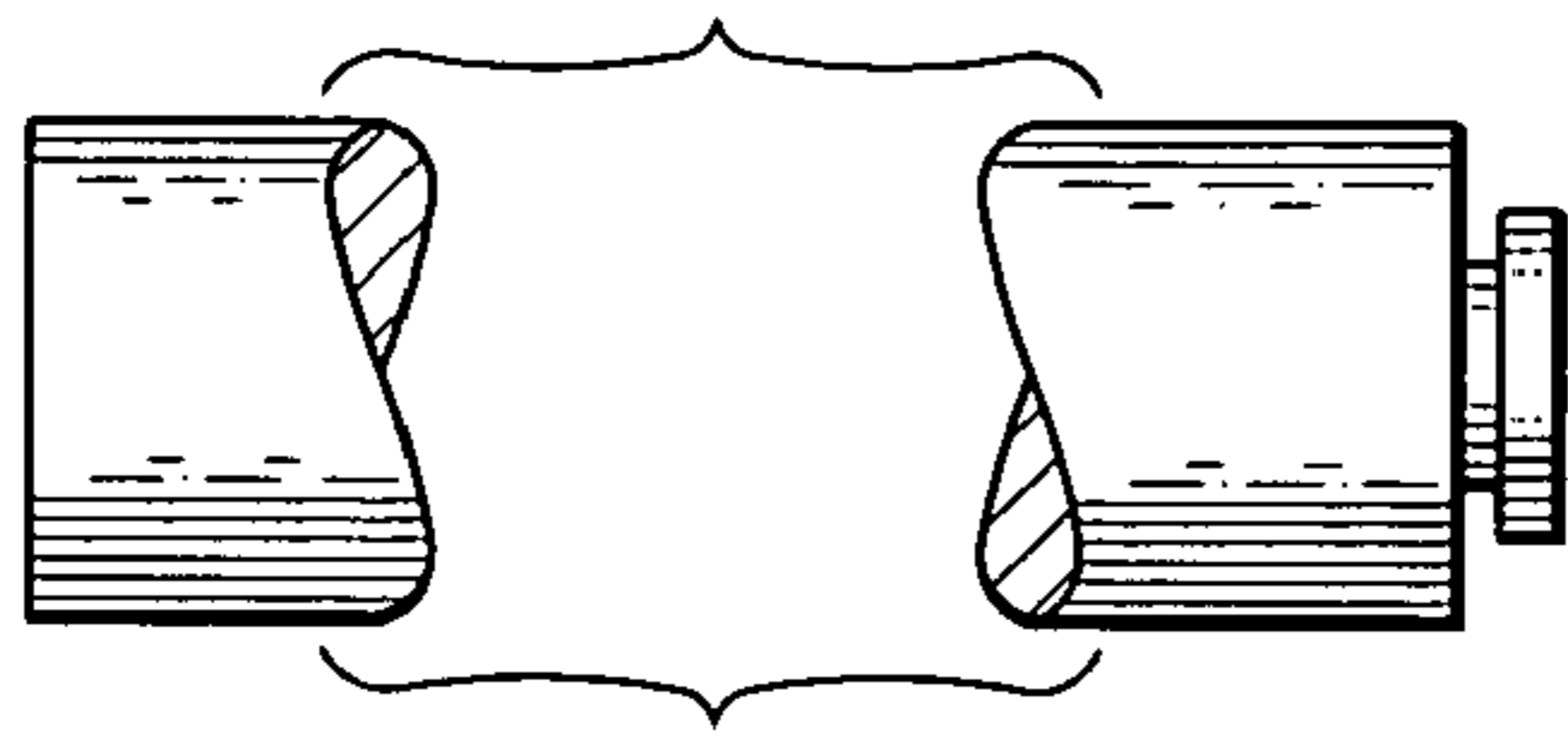


Fig. 21



Fig. 22

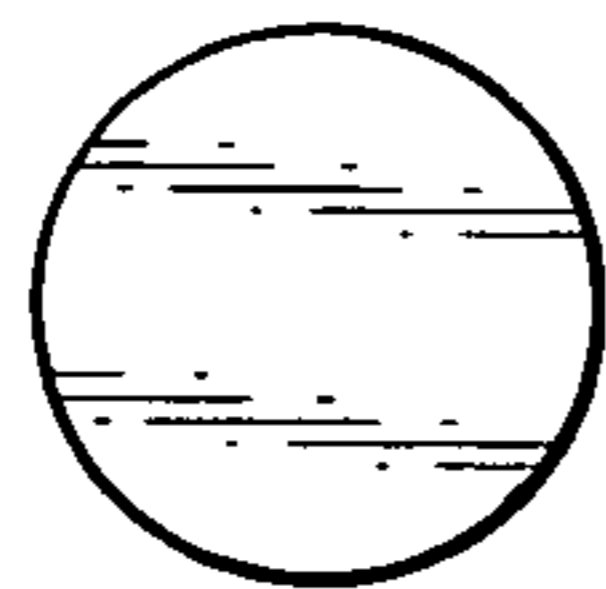


Fig. 23

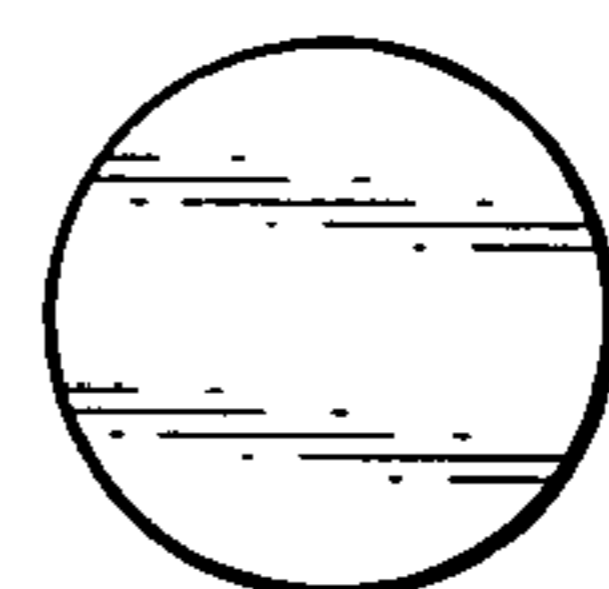


Fig. 24