



US00D604143S

(12) **United States Design Patent**
Shnayder

(10) **Patent No.:** **US D604,143 S**

(45) **Date of Patent:** **** Nov. 17, 2009**

(54) **LINK**

(75) Inventor: **Taila Shnayder**, E. Hanover, NJ (US)

(73) Assignee: **General Pneumatics Corp.**, Orange, NJ (US)

(**) Term: **14 Years**

(21) Appl. No.: **29/323,486**

(22) Filed: **Aug. 26, 2008**

(51) **LOC (9) Cl.** **08-05**

(52) **U.S. Cl.** **D8/349**

(58) **Field of Classification Search** D8/349,
D8/354, 356, 499; D11/93, 218; 248/74.1-74.2,
248/207, 220.21, 301, 304, 484, 496; 294/81.1,
294/82.17, 82.24; 59/84-90

See application file for complete search history.

(56) **References Cited**

U.S. PATENT DOCUMENTS

2,347,088	A *	4/1944	Dock	59/85
2,398,897	A *	4/1946	St Pierre	59/85
2,621,471	A *	12/1952	Dock	59/85
D208,815	S *	10/1967	Hubbard	D8/349
D231,839	S *	6/1974	Kissin	D8/354
3,994,127	A *	11/1976	Gower	59/85
4,056,929	A *	11/1977	Chrobak et al.	59/85
4,353,203	A *	10/1982	Lotoski	59/85
4,418,526	A *	12/1983	Clement	59/85
4,498,284	A *	2/1985	Gearhart	59/84
D287,102	S *	12/1986	Albertini	D8/499
4,627,232	A *	12/1986	Bruce	59/84
4,706,451	A *	11/1987	Stromberg et al.	59/85
D337,717	S *	7/1993	Issard	D8/349
D346,734	S *	5/1994	Rohr	D8/349

5,873,232	A *	2/1999	Bruce	59/85
D412,656	S *	8/1999	Sokurenko	D8/349
D445,018	S *	7/2001	Fiorentino et al.	D8/349
D474,394	S *	5/2003	Smith	D8/349
D486,055	S *	2/2004	Fiorentino et al.	D8/354
D492,188	S *	6/2004	Goldberg	D8/356
D529,362	S *	10/2006	Barber et al.	D8/99
D565,392	S *	4/2008	Shetler	D8/356

* cited by examiner

Primary Examiner—Holly H Baynham

Assistant Examiner—Cynthia M Chin

(74) *Attorney, Agent, or Firm*—K&L Gates LLP

(57) **CLAIM**

I claim the ornamental design for a link, as shown and described.

DESCRIPTION

FIG. 1 is a perspective view of an example embodiment of a link showing my new design;

FIG. 2 is a top view of the link shown in FIG. 1, the bottom view being the mirror image of the top view;

FIG. 3 is a view of a cutaway along axis 3—3 looking from the front side;

FIG. 4 is a front view, the rear view being the mirror image of the front view;

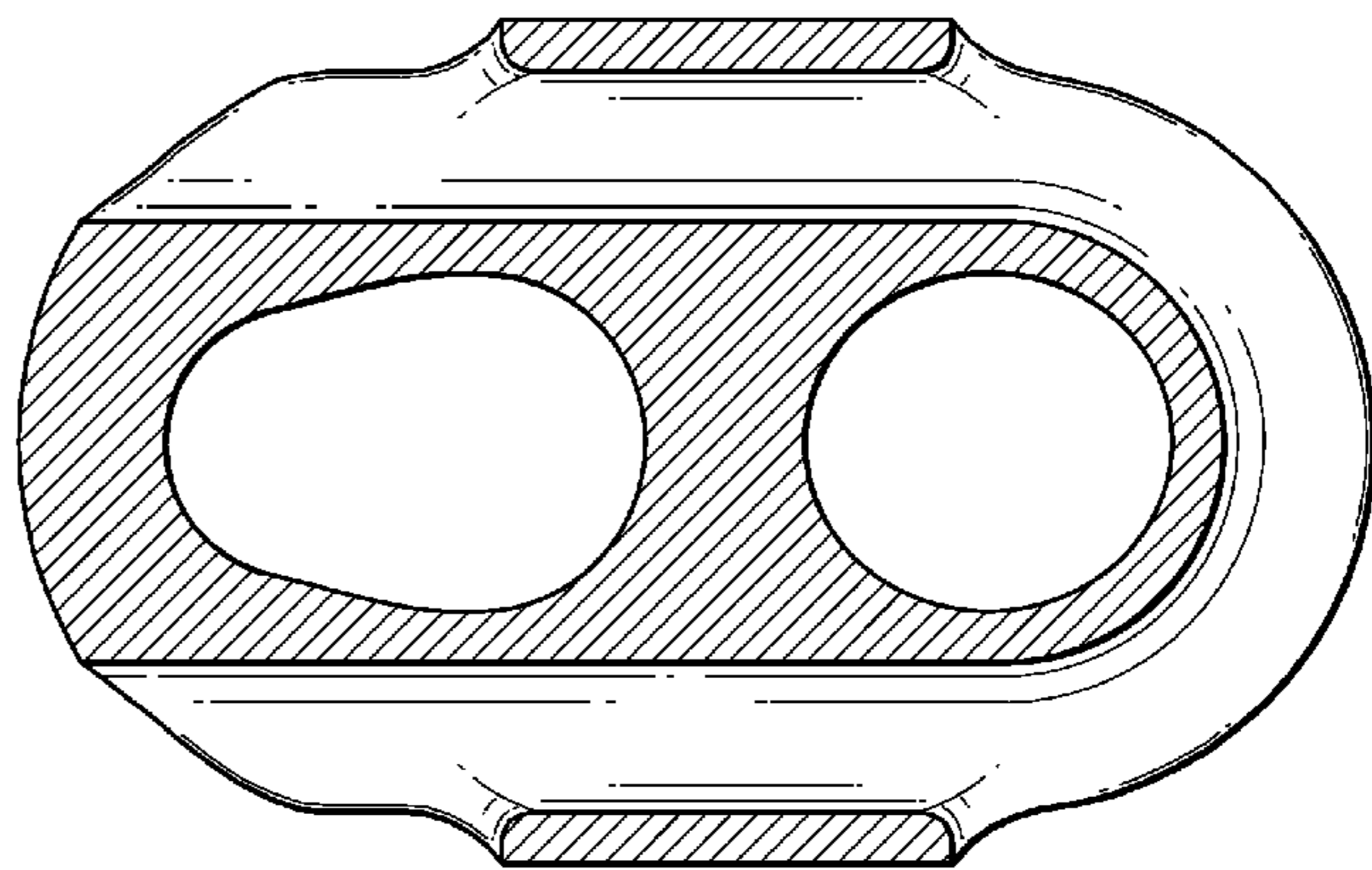
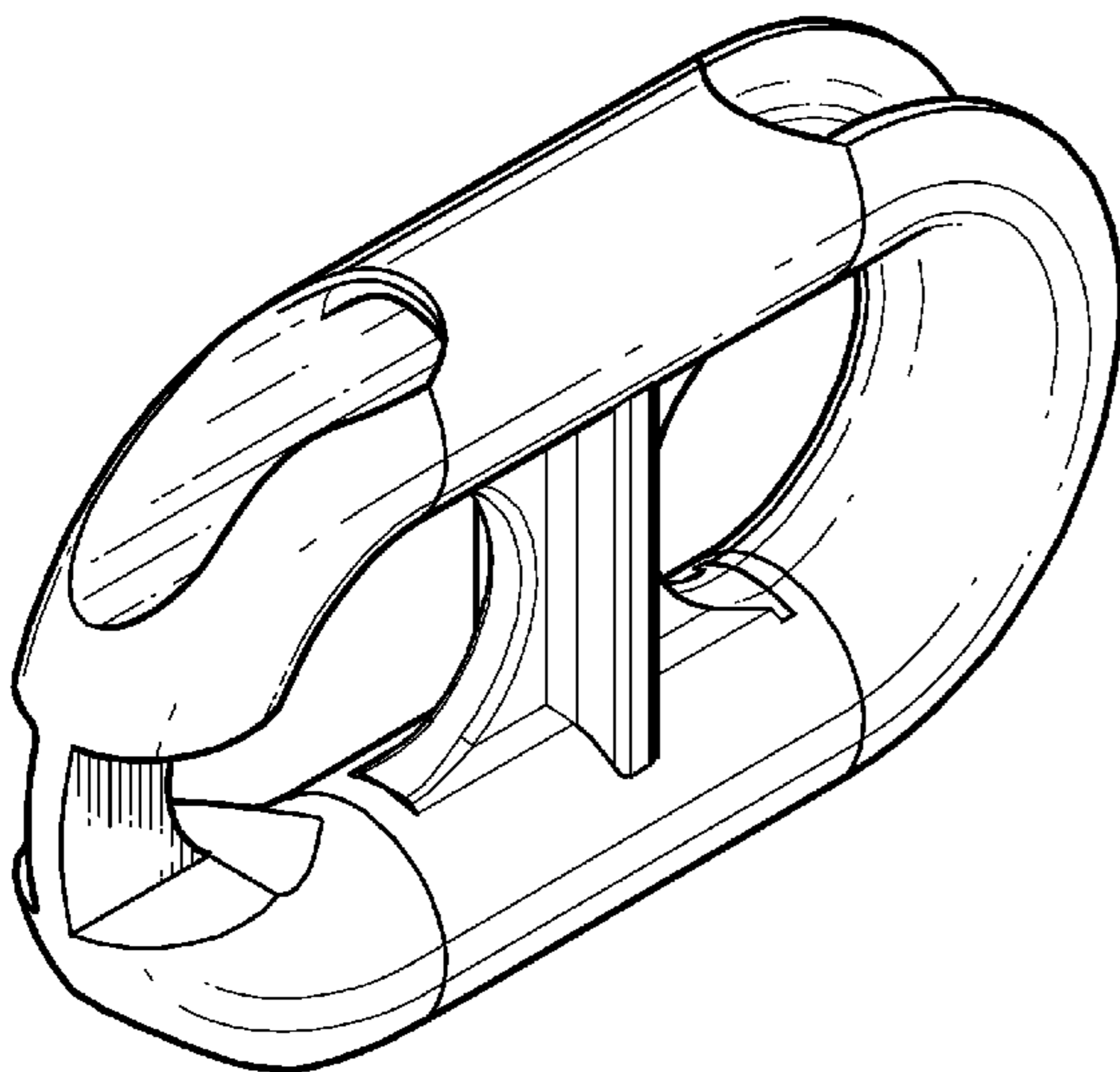
FIG. 5 is a plan view of a cutaway looking from the top side;

FIG. 6 is a view of a cutaway along axis 4—4 looking from the left side;

FIG. 7 is a left side view; and,

FIG. 8 is a right side view.

1 Claim, 3 Drawing Sheets



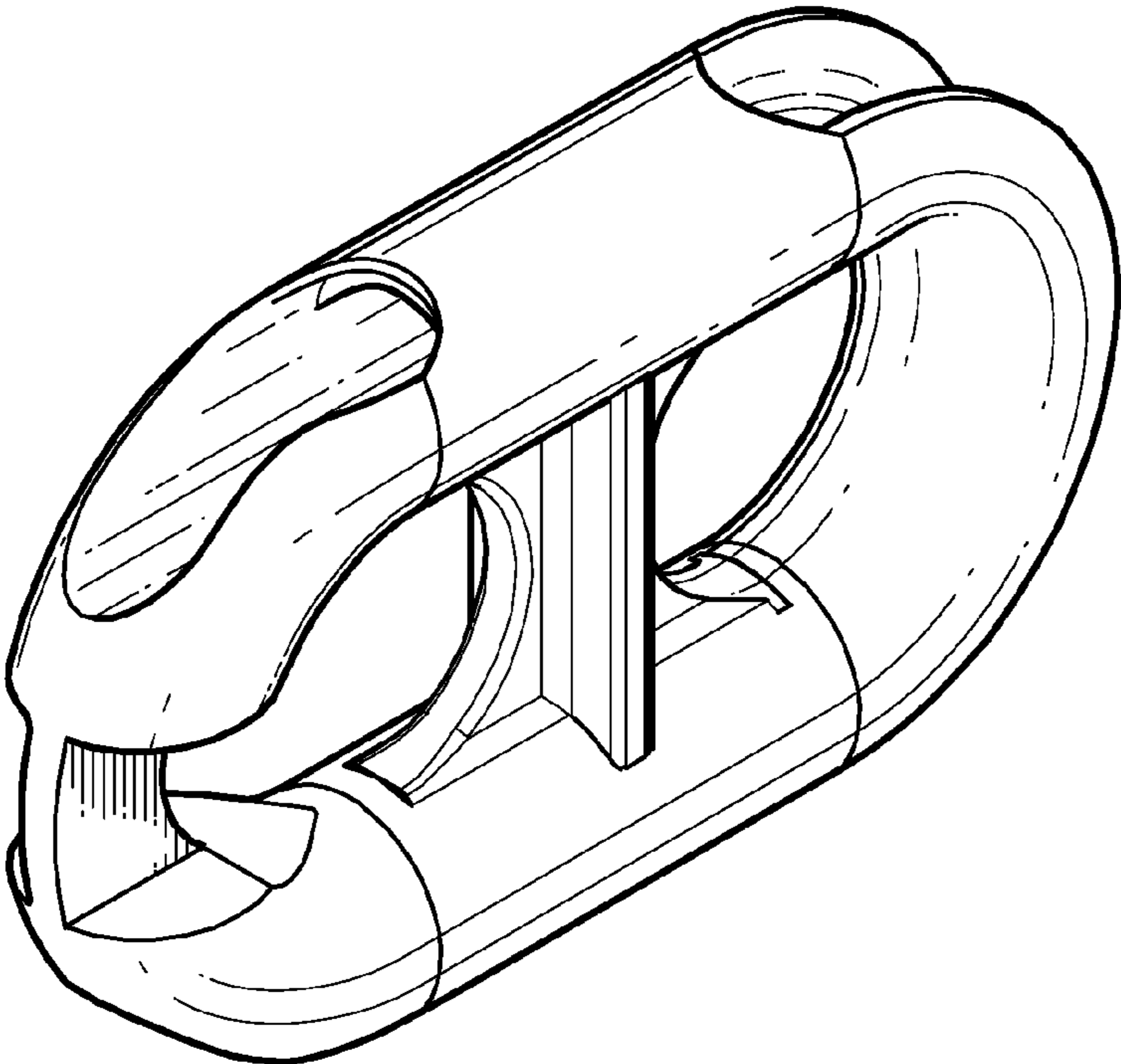


FIG. 1

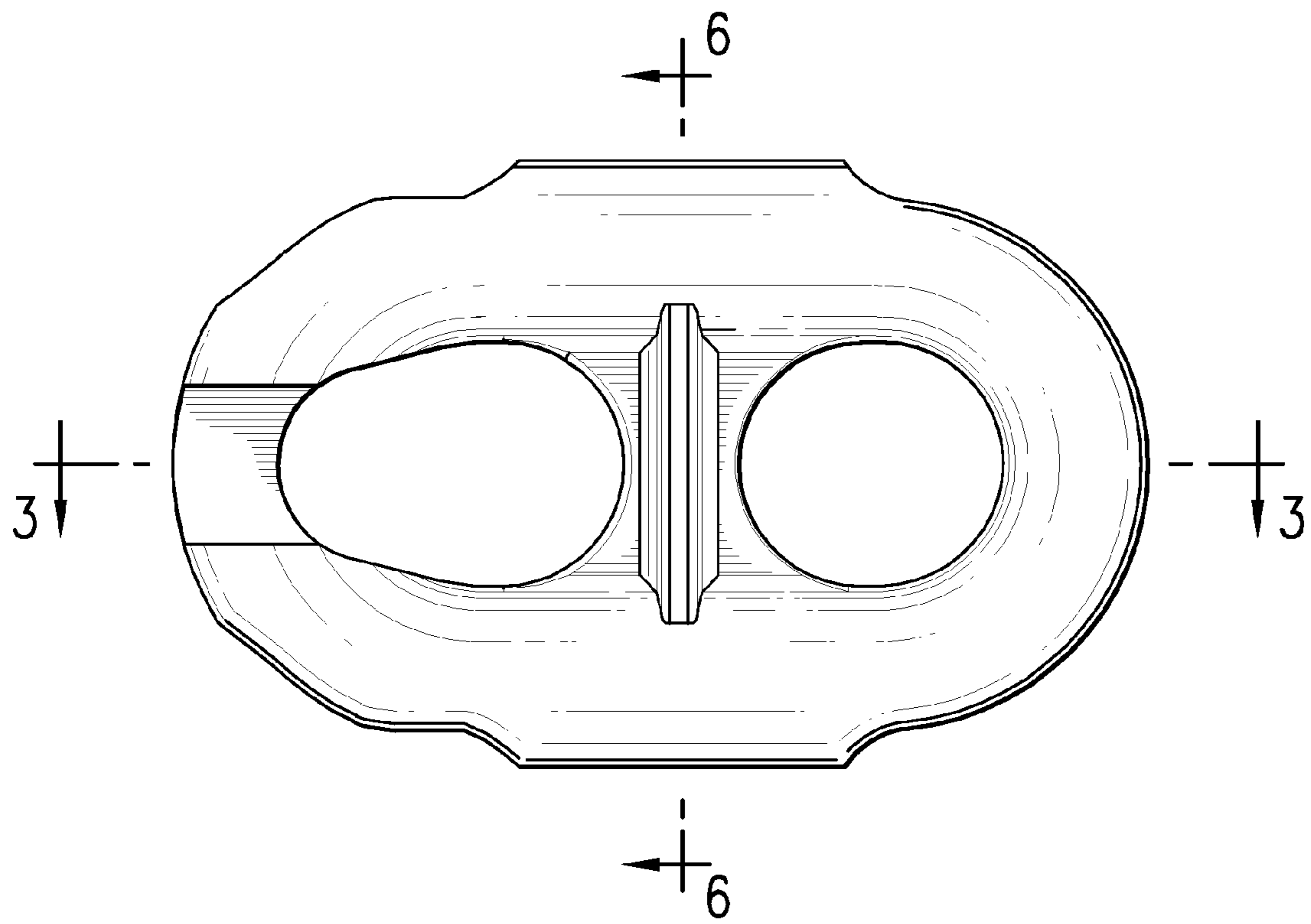


FIG. 2

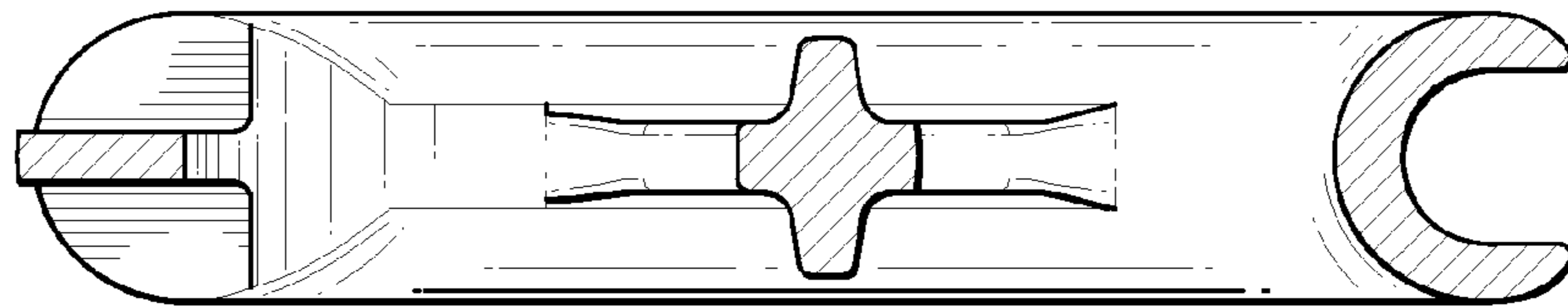


FIG. 3

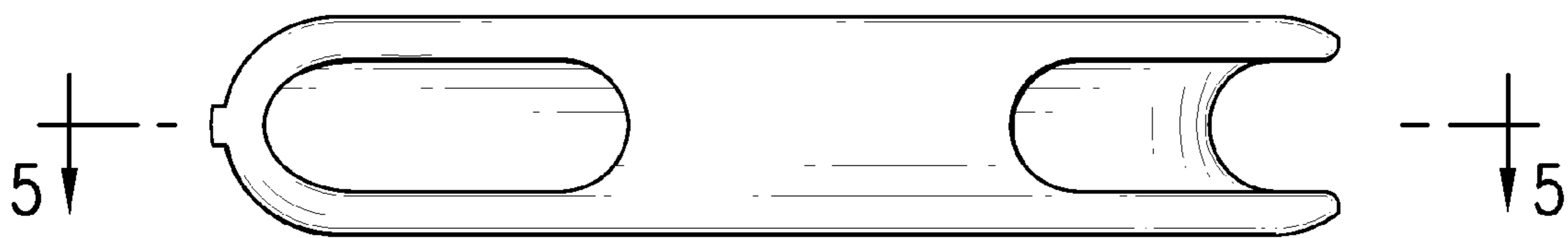


FIG. 4

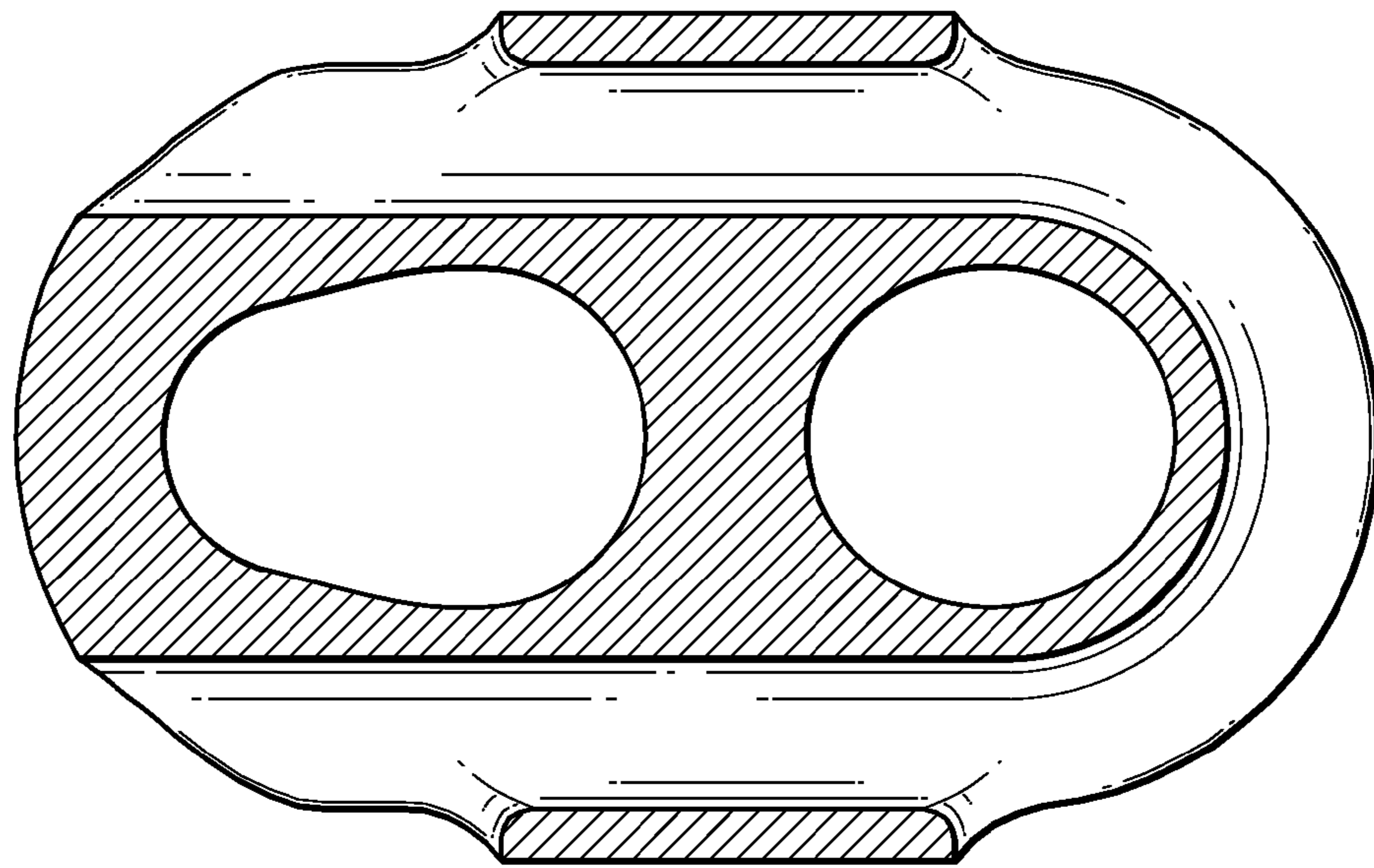


FIG. 5

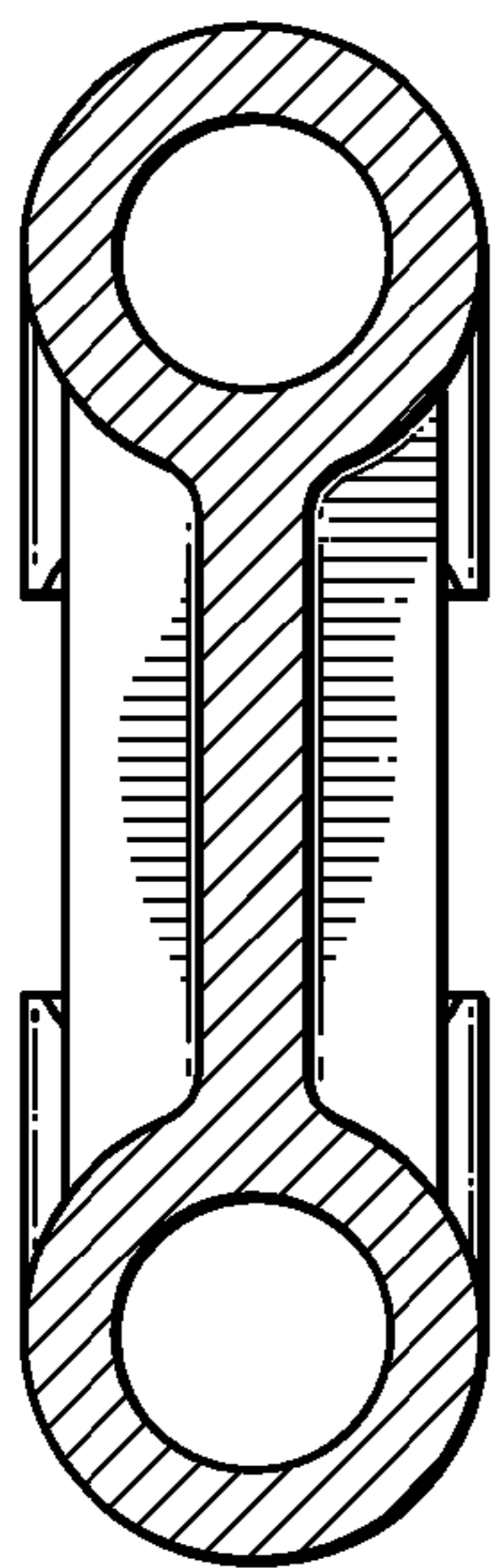


FIG. 6

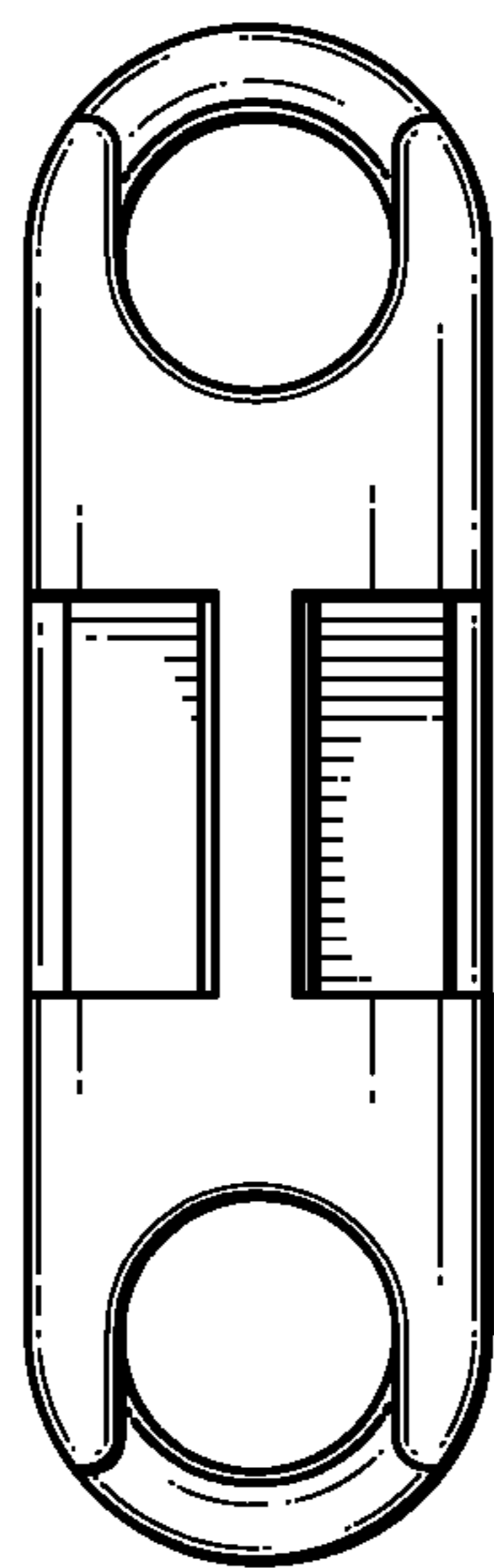


FIG. 7

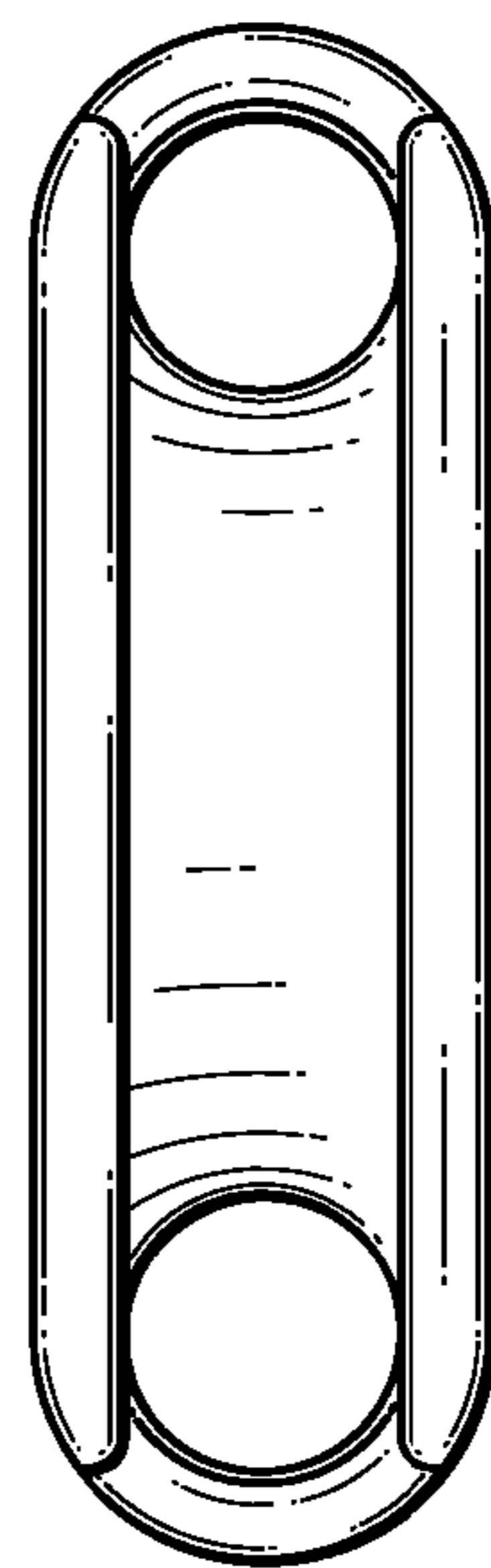


FIG. 8