



US00D604142S

(12) **United States Design Patent**  
**Ayrest**

(10) **Patent No.:** **US D604,142 S**  
(45) **Date of Patent:** **\*\* Nov. 17, 2009**

- (54) **HASP ASSEMBLY**
- (76) Inventor: **Robert B. Ayrest**, 6160 Cobblestone Rd., Placerville, CA (US) 95667
- (\*\*) Term: **14 Years**
- (21) Appl. No.: **29/314,641**
- (22) Filed: **Apr. 15, 2009**
- (51) **LOC (9) Cl.** ..... **08-07**
- (52) **U.S. Cl.** ..... **D8/343; D8/345**
- (58) **Field of Classification Search** ..... **D8/343, D8/330, 331, 333, 336, 344, 345; 70/2-8, 70/14, 34, 51, 52, 57; 292/205, 210, 251.5, 292/281-287, 340, 341.17**  
See application file for complete search history.

(56) **References Cited**

**U.S. PATENT DOCUMENTS**

4,793,163 A \* 12/1988 MacFarlane et al. .... 70/2

(Continued)

*Primary Examiner*—Prabhakar Deshmukh  
*Assistant Examiner*—Derrick Holland  
(74) *Attorney, Agent, or Firm*—Howard Cohen

(57) **CLAIM**

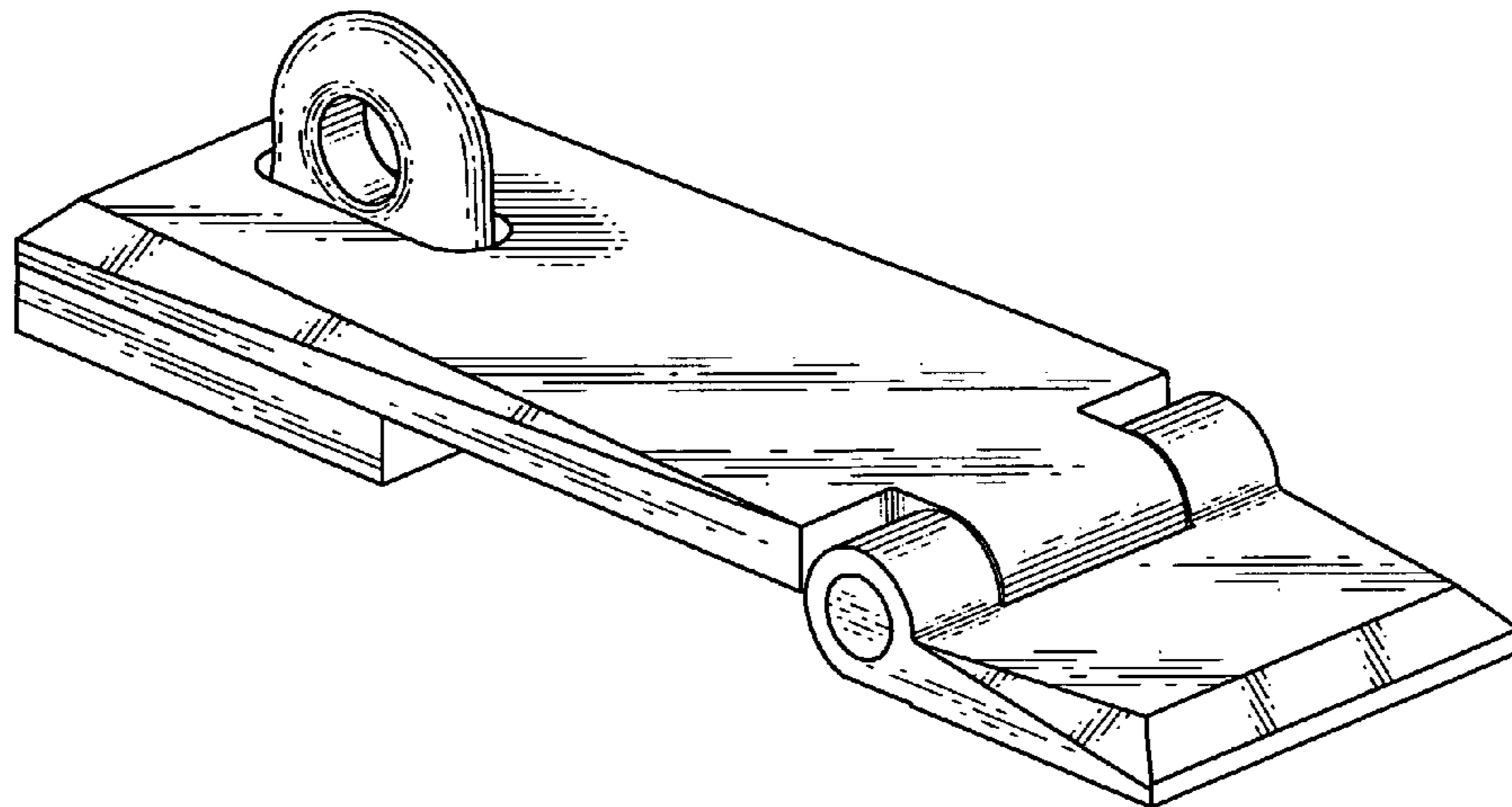
The ornamental design for a hasp assembly, as shown and described.

**DESCRIPTION**

- FIG. 1 is a top perspective view of a hasp assembly showing my new design;
- FIG. 2 is an exploded perspective view thereof;
- FIG. 3 is a left side elevation view thereof;
- FIG. 4 is a right side elevation view thereof;
- FIG. 5 is a top plan view thereof;
- FIG. 6 is a front elevation view thereof;
- FIG. 7 is a rear elevation view thereof;
- FIG. 8 is a bottom plan view thereof;

- FIG. 9 is a top plan view of the tongue of the hasp assembly shown separately for clarity;
- FIG. 10 is a right side view of FIG. 9;
- FIG. 11 is a bottom plan view of FIG. 9;
- FIG. 12 is a front view of FIG. 9;
- FIG. 13 is a rear view of FIG. 9;
- FIG. 14 is a top plan view of the base plate of the hasp assembly shown separately for clarity;
- FIG. 15 is a bottom plan view of FIG. 14;
- FIG. 16 is a front view of FIG. 14;
- FIG. 17 is a right side view of FIG. 14;
- FIG. 18 is a rear view of FIG. 14;
- FIG. 19 is a left side view of FIG. 14;
- FIG. 20 is an enlarged detailed portion elevation view of FIGS. 17 and 23 taken along lines 20—20;
- FIG. 21 is a top plan view of the lock loop plate of the hasp assembly shown separately for clarity;
- FIG. 22 is a bottom plan view of FIG. 21;
- FIG. 23 is a side view of FIG. 21;
- FIG. 24 is a front view of FIG. 21;
- FIG. 25 is a rear view of FIG. 21;
- FIG. 26 is a top plan view of the hinge pin of the hasp assembly shown separately for clarity;
- FIG. 27 is a left end view of FIG. 26;
- FIG. 28 is a right end view of FIG. 26;
- FIG. 29 is a top perspective view of the hasp assembly with the base plate rotated 180 degrees from FIG. 1;
- FIG. 30 is a left side elevation of FIG. 29;
- FIG. 31 is a right side elevation of FIG. 29;
- FIG. 32 is a top plan view of FIG. 29;
- FIG. 33 is a front elevation of FIG. 29;
- FIG. 34 is a rear elevation of FIG. 29; and,
- FIG. 35 is a bottom plan view of FIG. 29.

**1 Claim, 6 Drawing Sheets**



# US D604,142 S

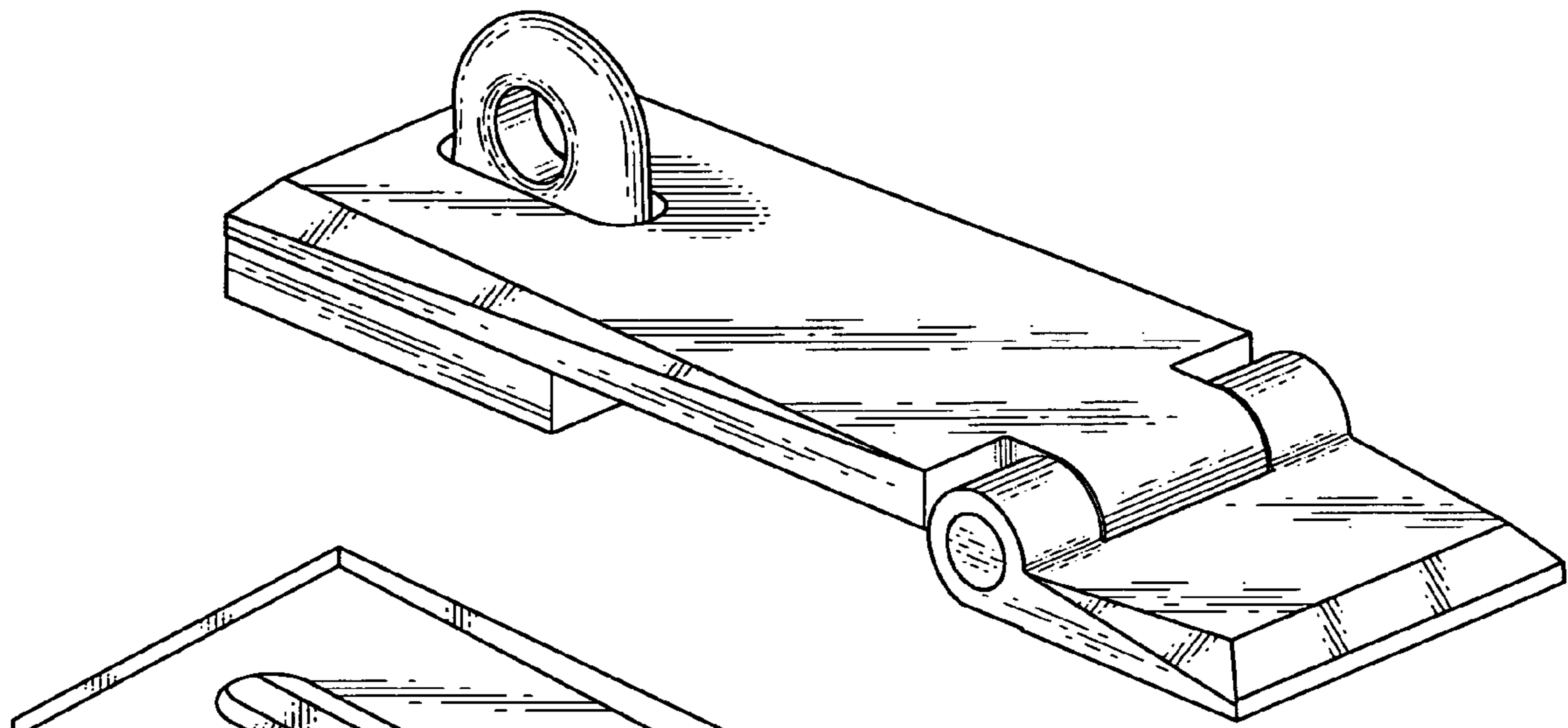
Page 2

---

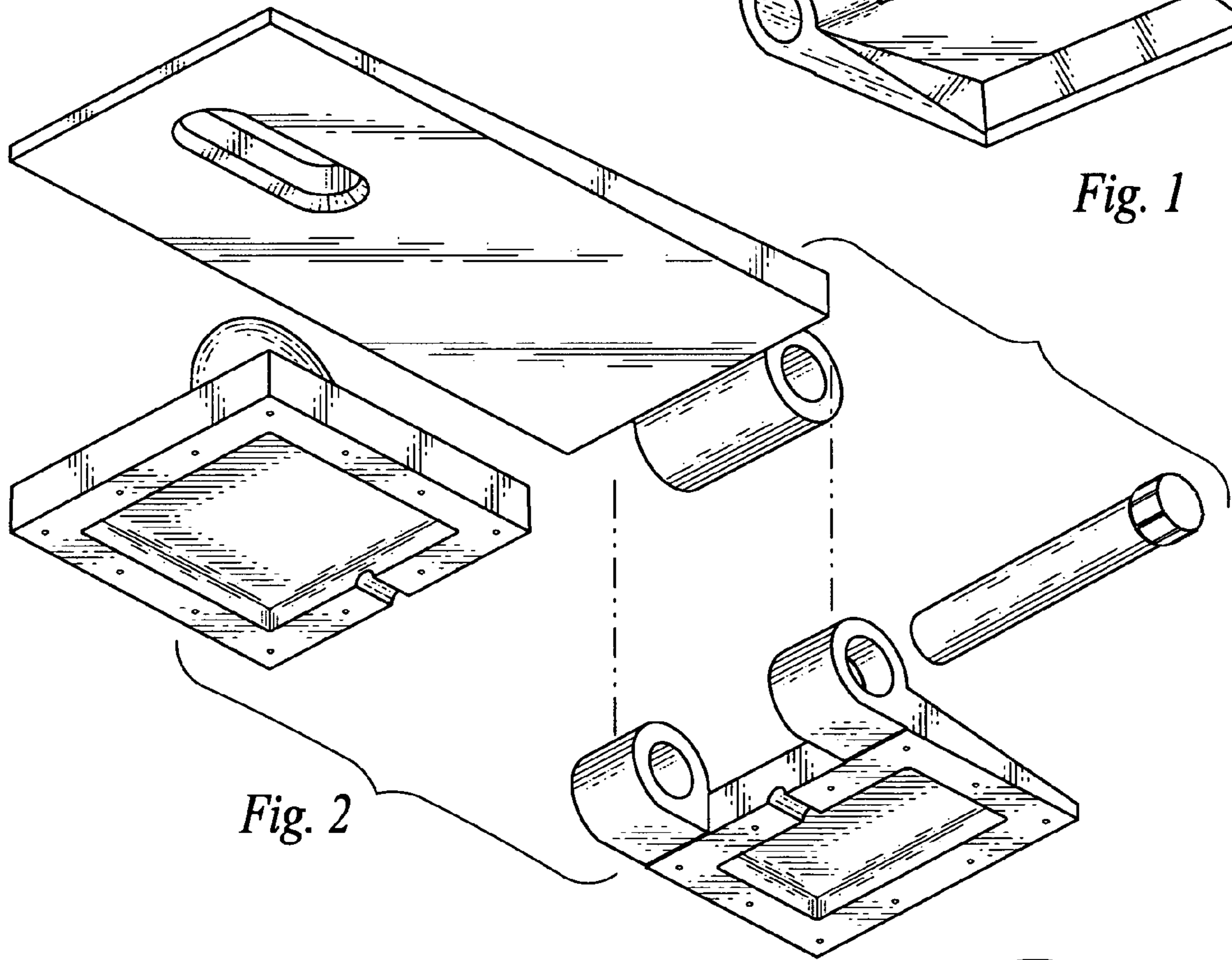
## U.S. PATENT DOCUMENTS

D306,130 S *	2/1990	Bobrowski et al. ....	D8/338	5,732,575 A *	3/1998	Kaveney .....	70/2
D313,543 S *	1/1991	MacFarlane .....	D8/338	D427,885 S *	7/2000	Ayrest .....	D8/336
5,409,276 A *	4/1995	Engasser .....	292/281	D476,548 S *	7/2003	Vito .....	D8/346
5,456,506 A *	10/1995	Bartlett .....	292/281	D476,878 S *	7/2003	Evans .....	D8/331

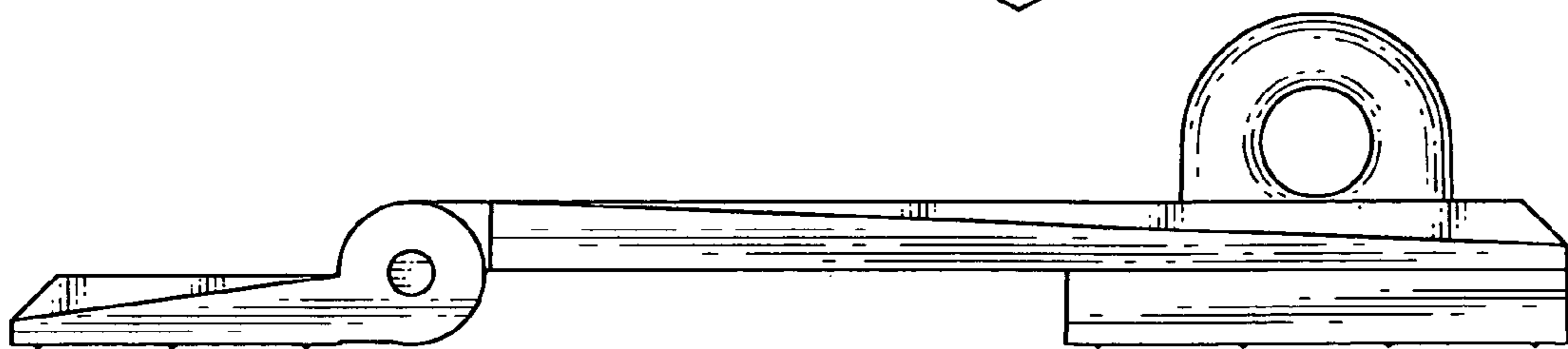
\* cited by examiner



*Fig. 1*



*Fig. 2*



*Fig. 3*

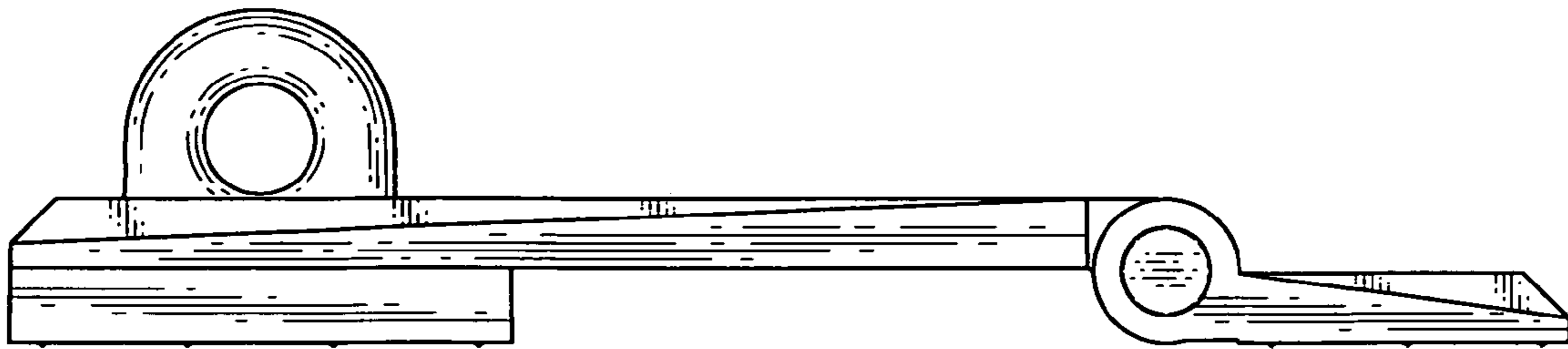


Fig. 4

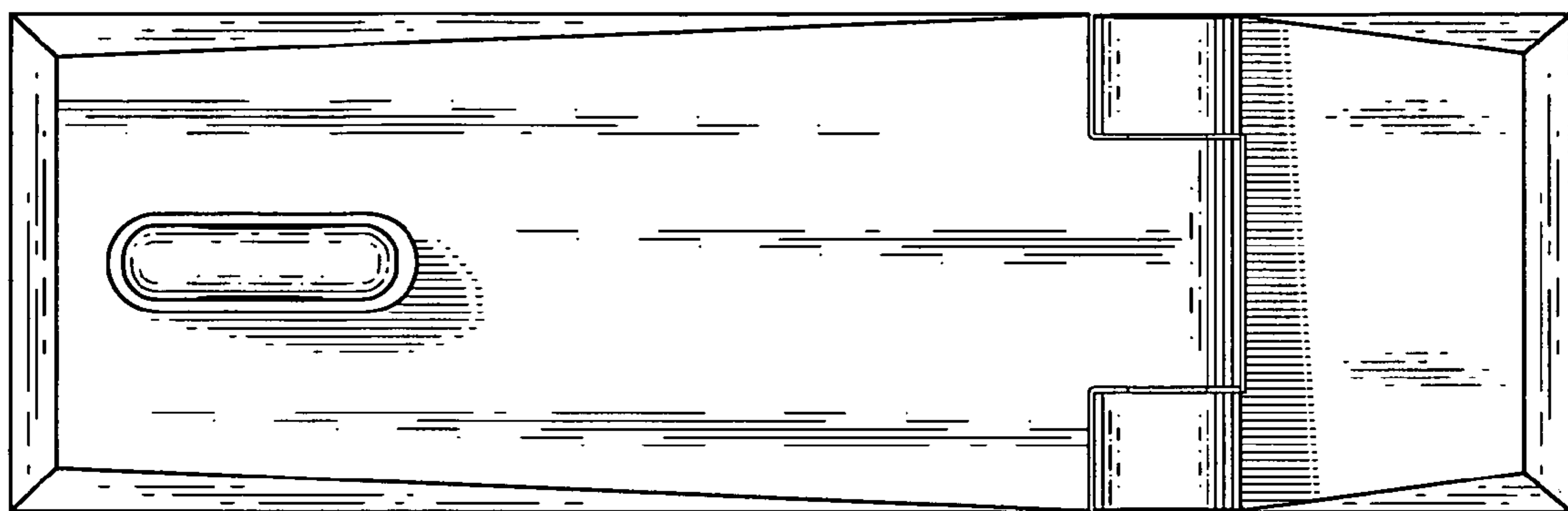


Fig. 5

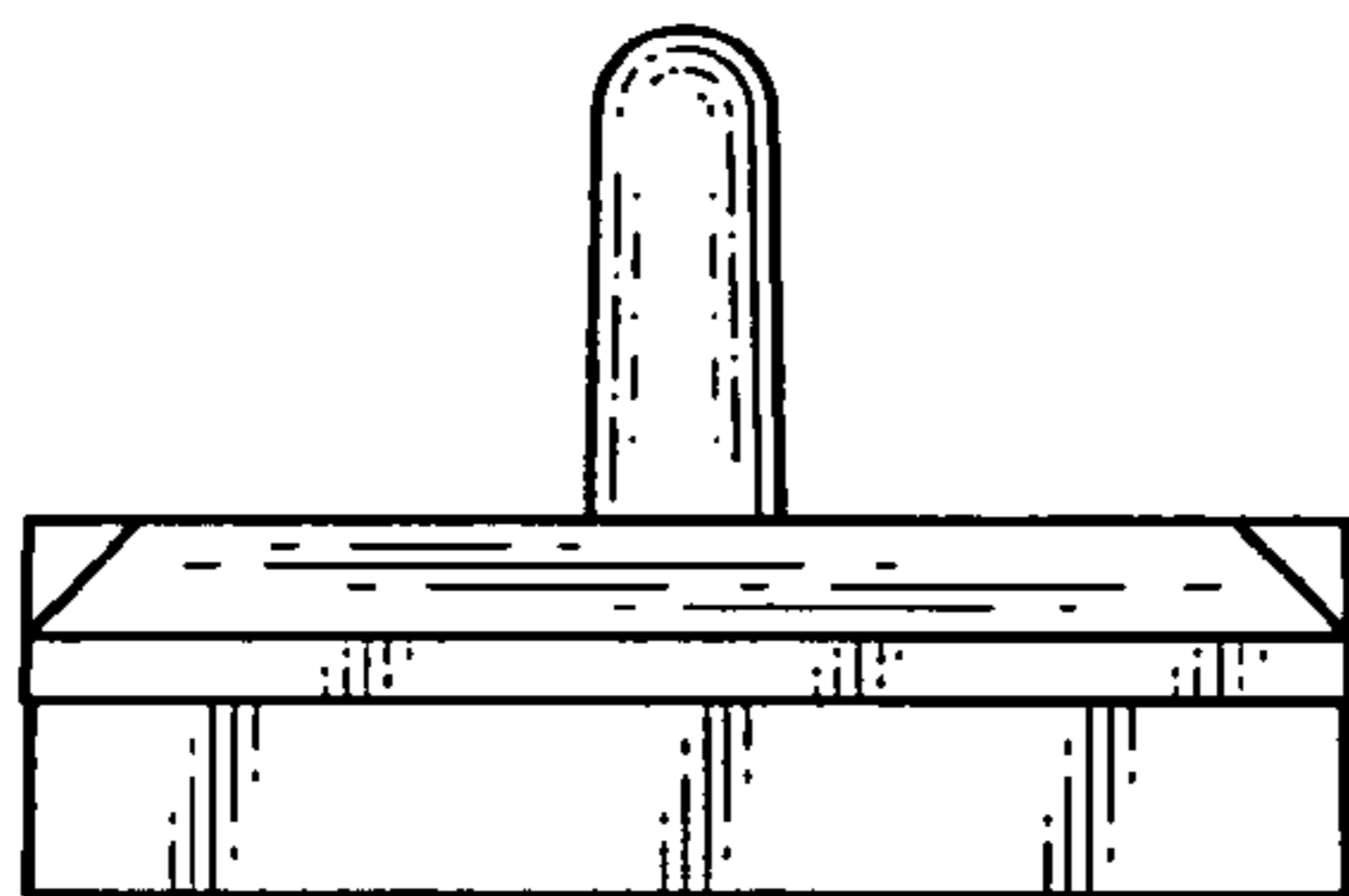


Fig. 6

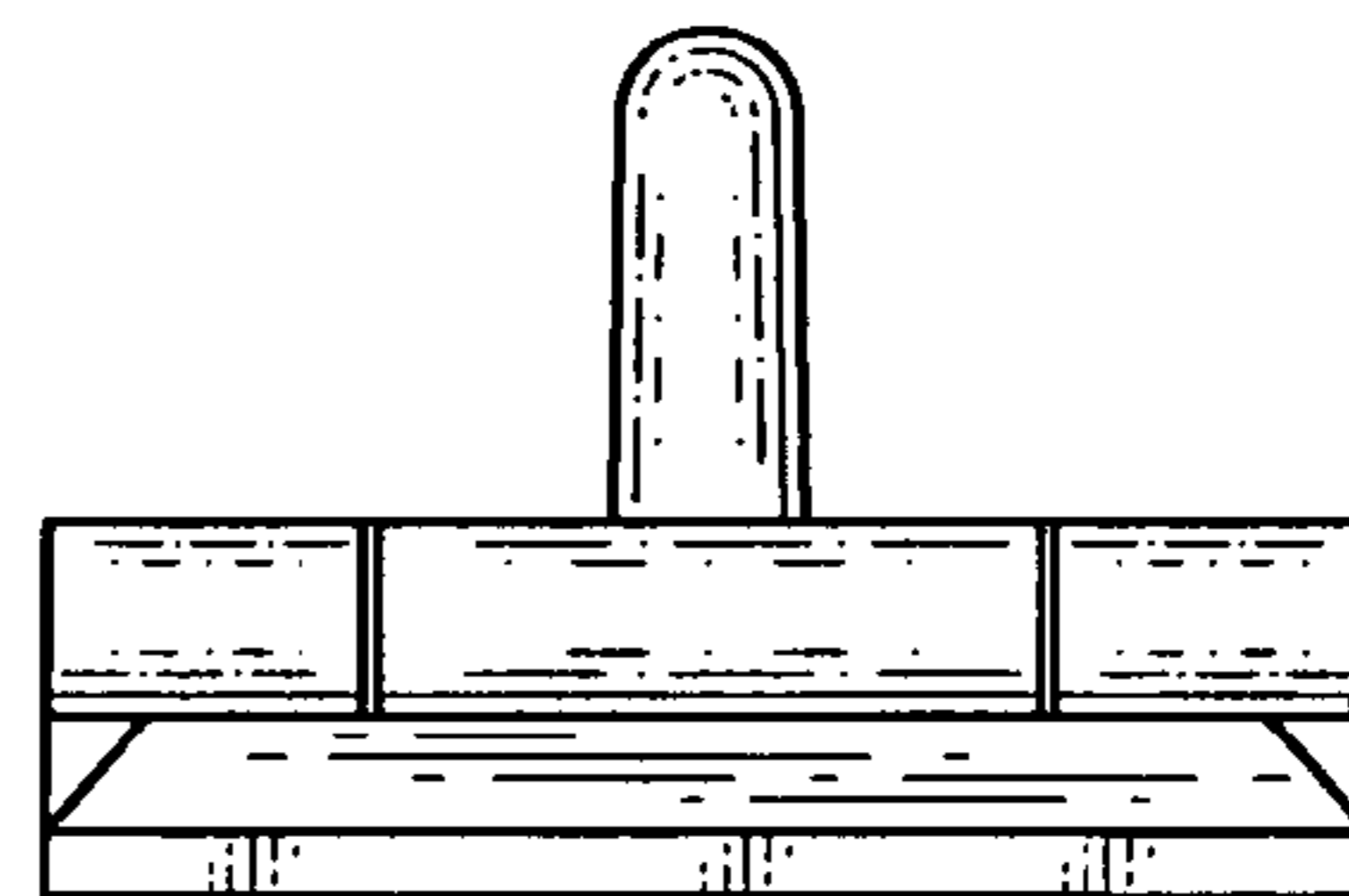


Fig. 7

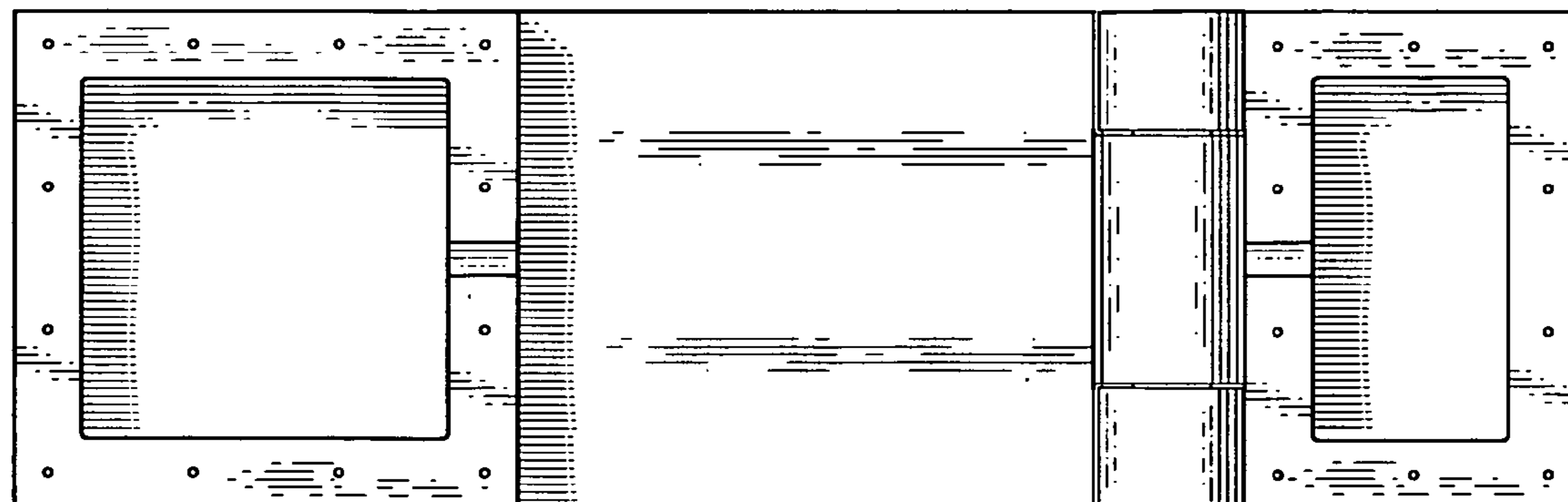


Fig. 8

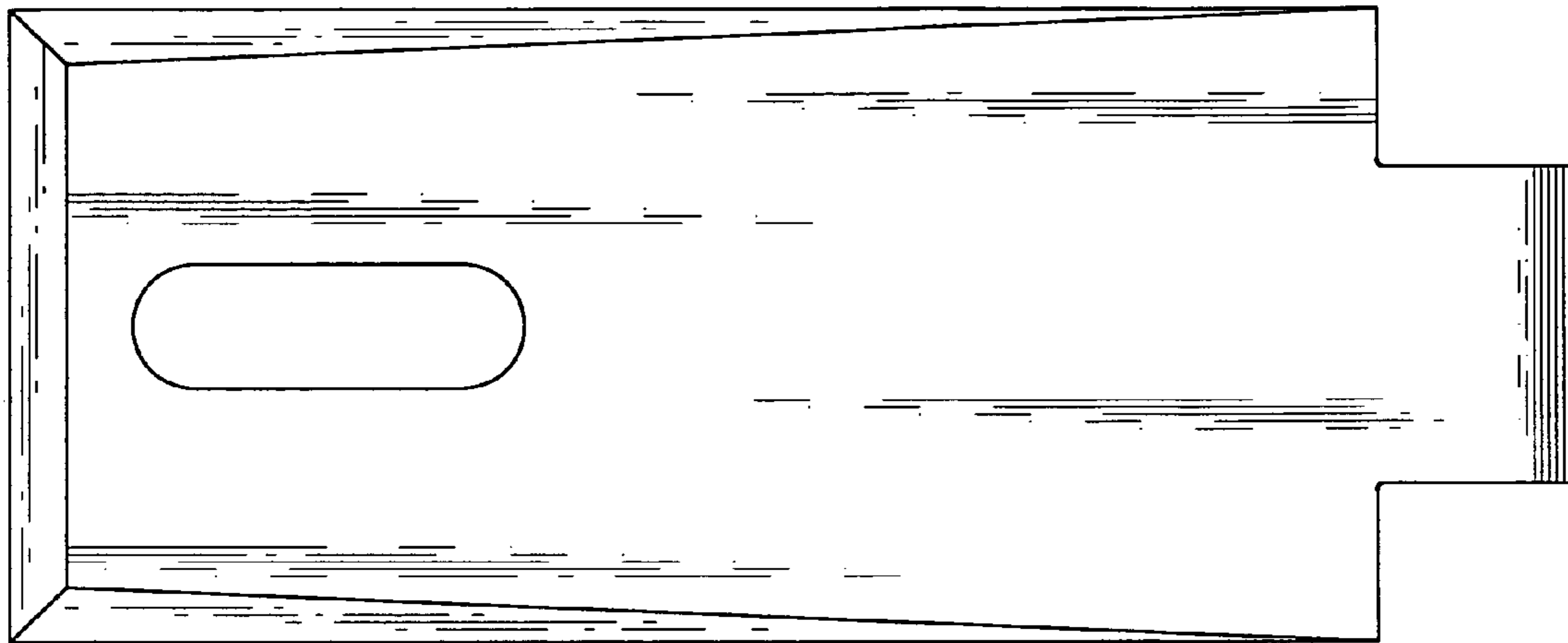


Fig. 9

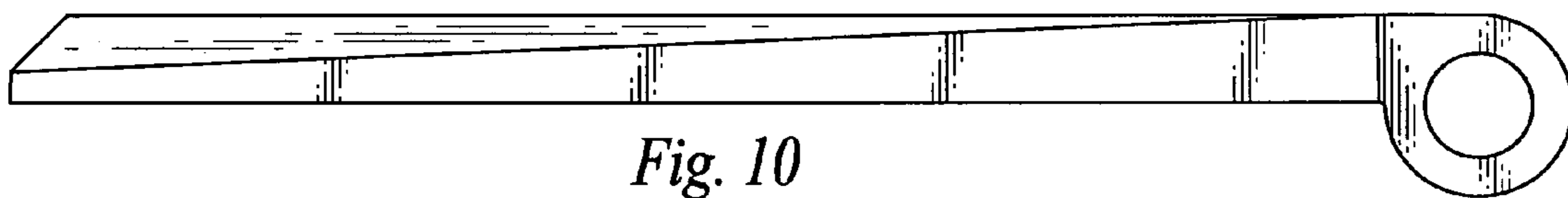


Fig. 10

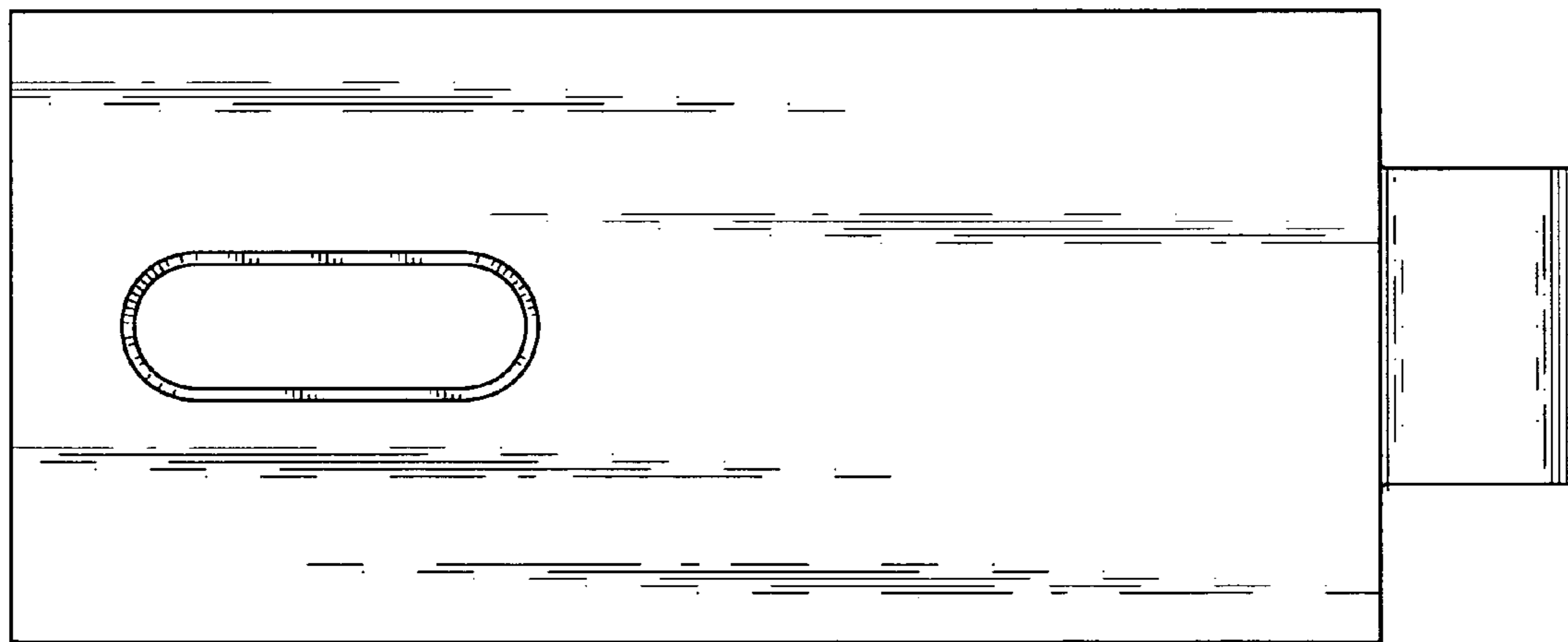


Fig. 11

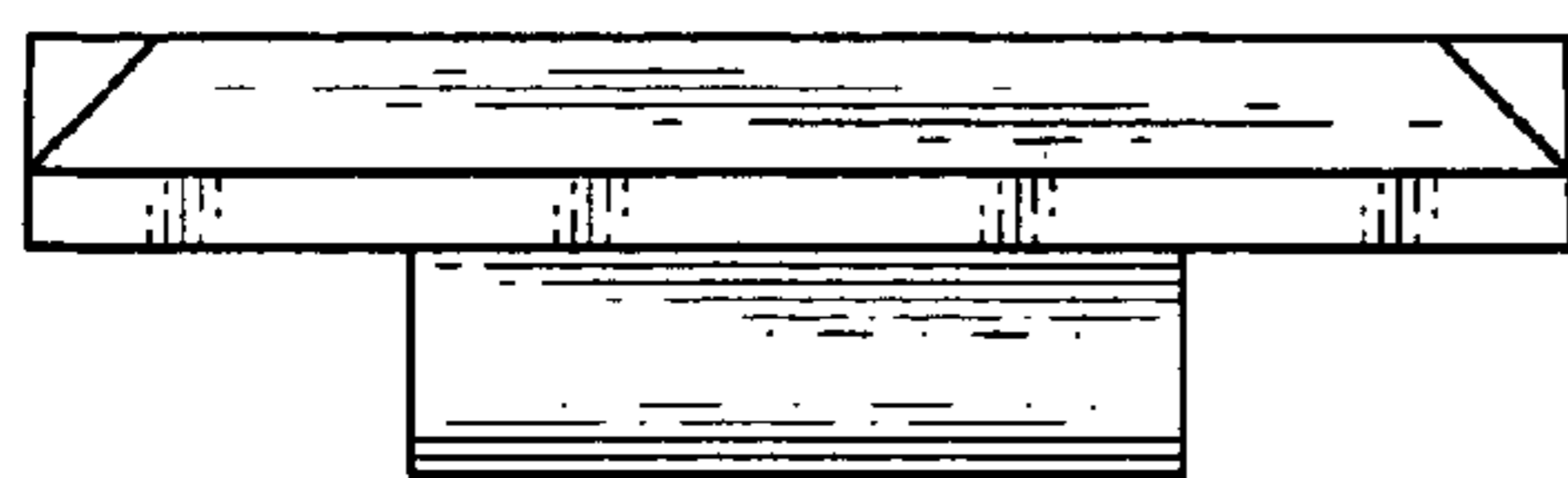


Fig. 12

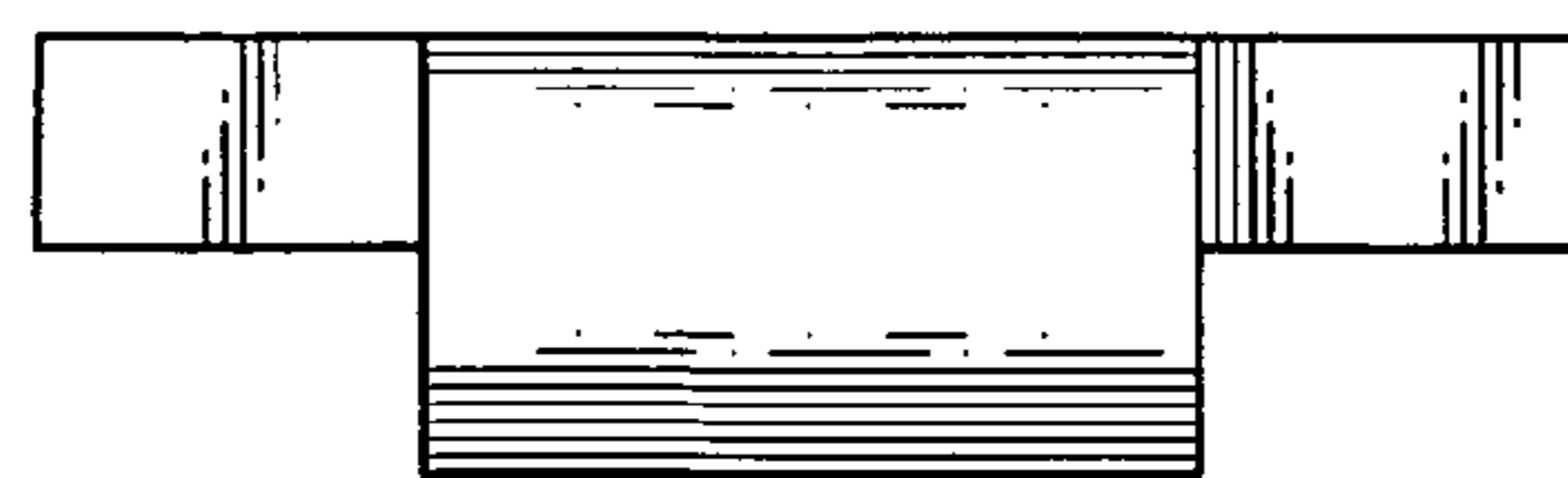


Fig. 13

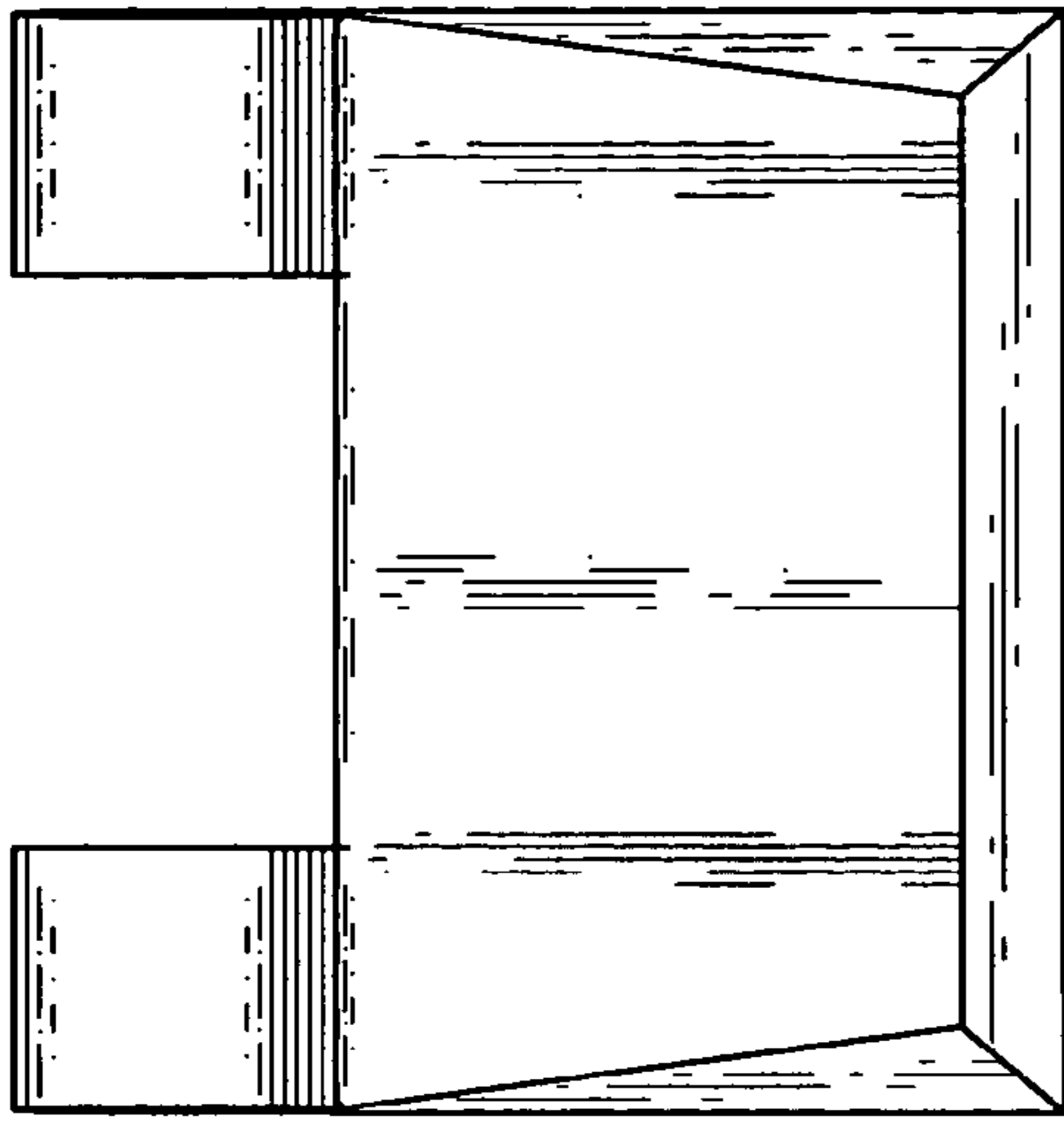


Fig. 14

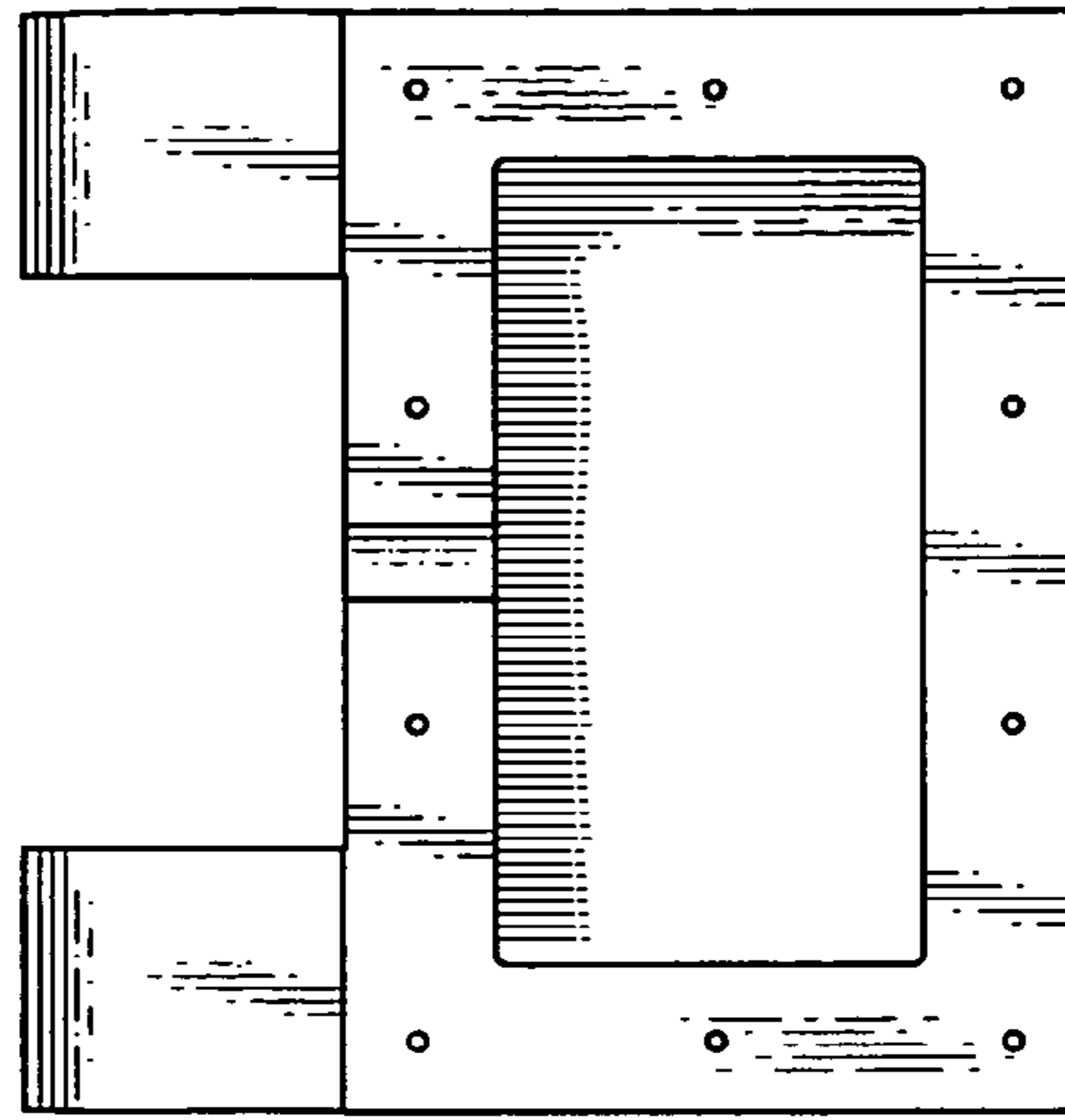


Fig. 15

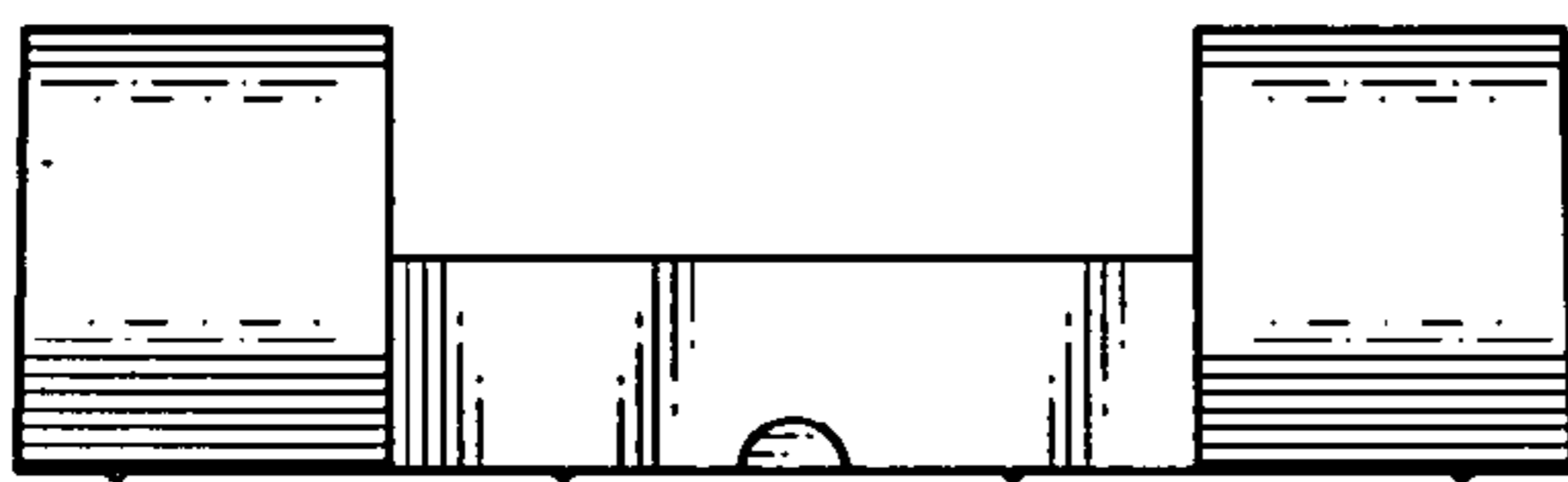


Fig. 16

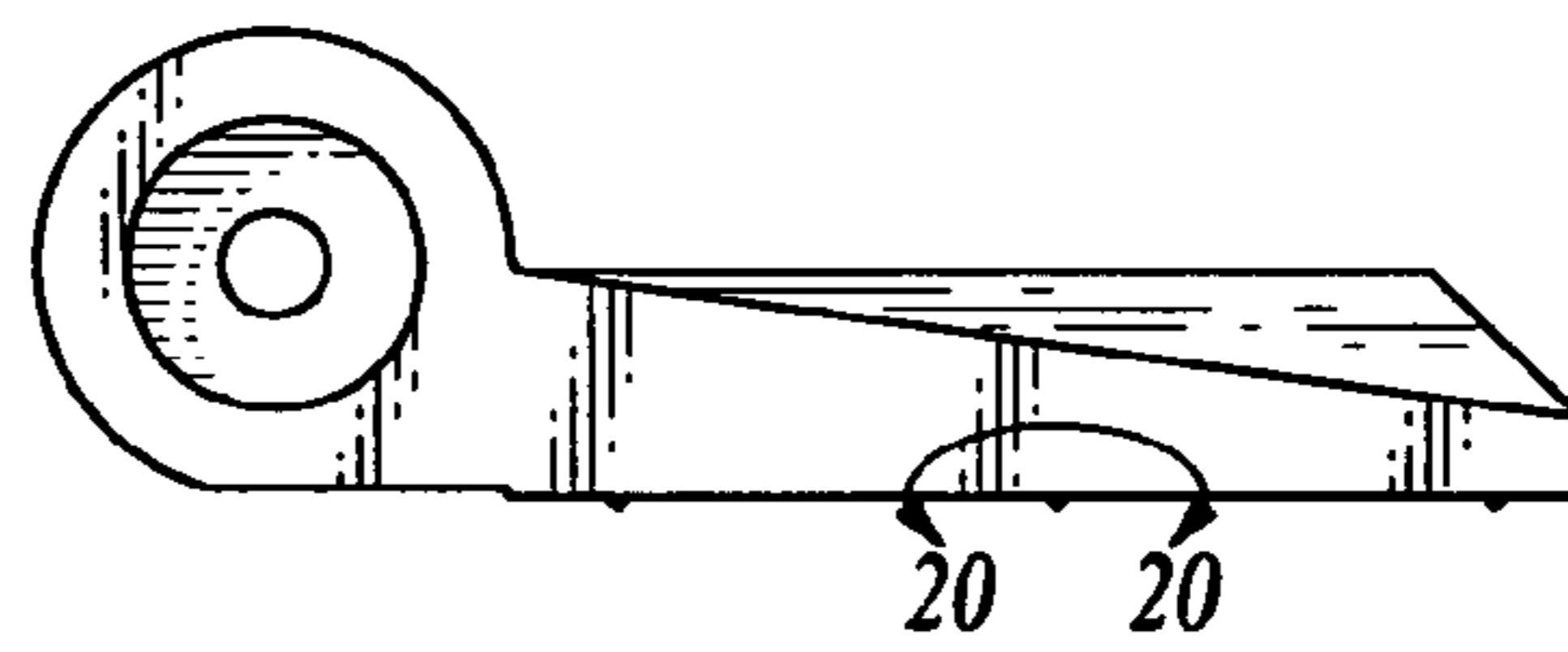


Fig. 17

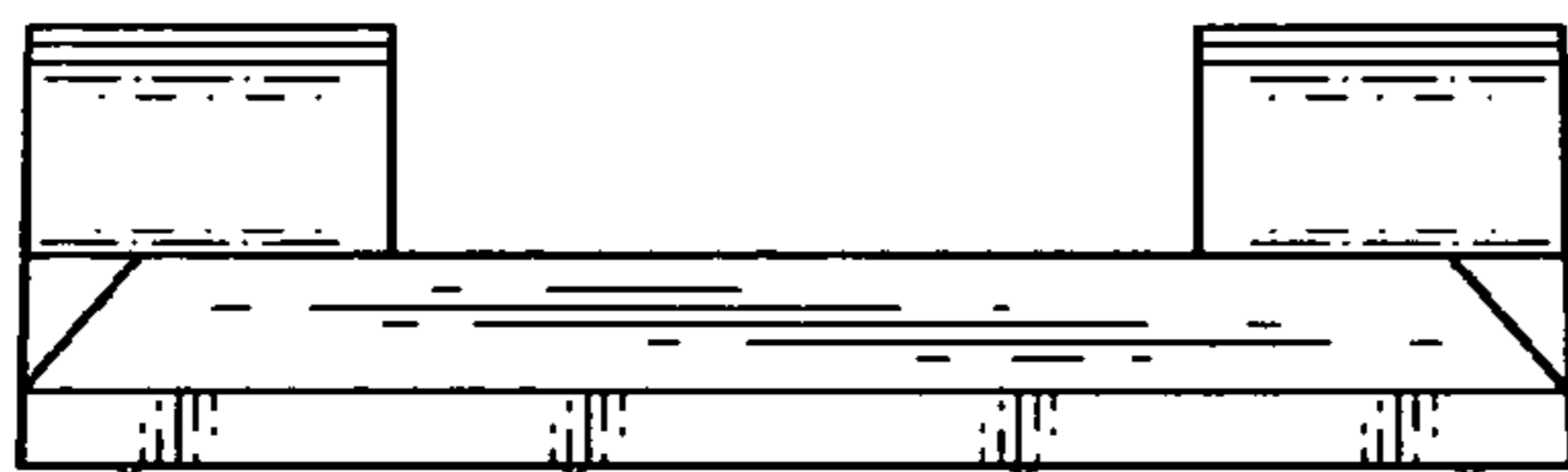


Fig. 18

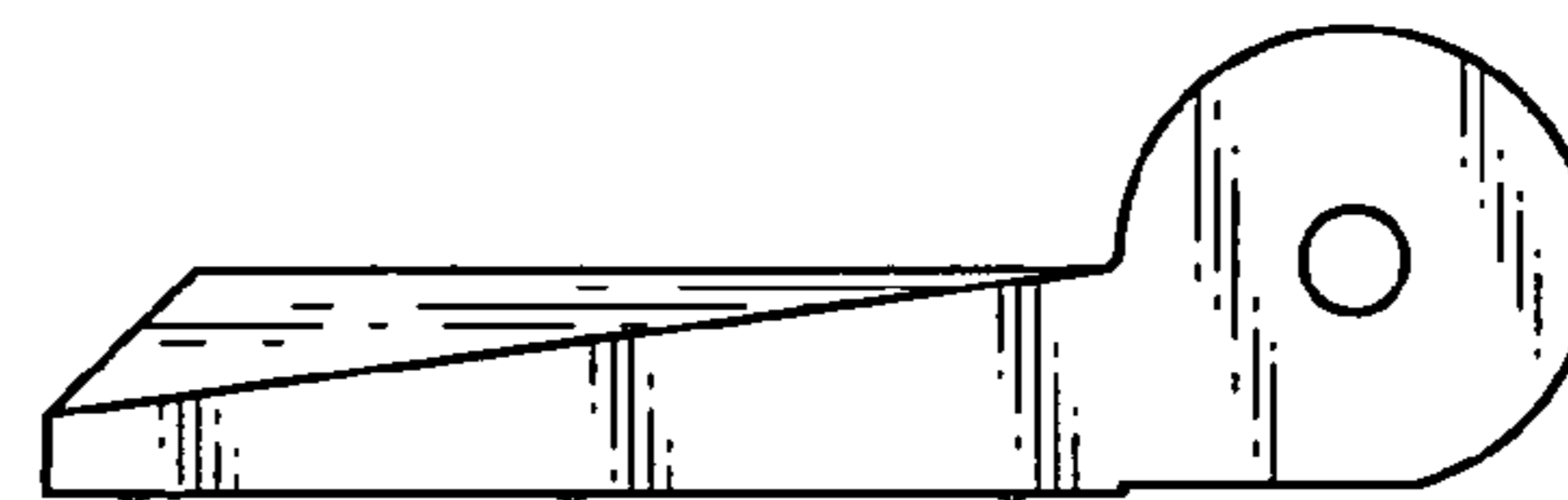


Fig. 19

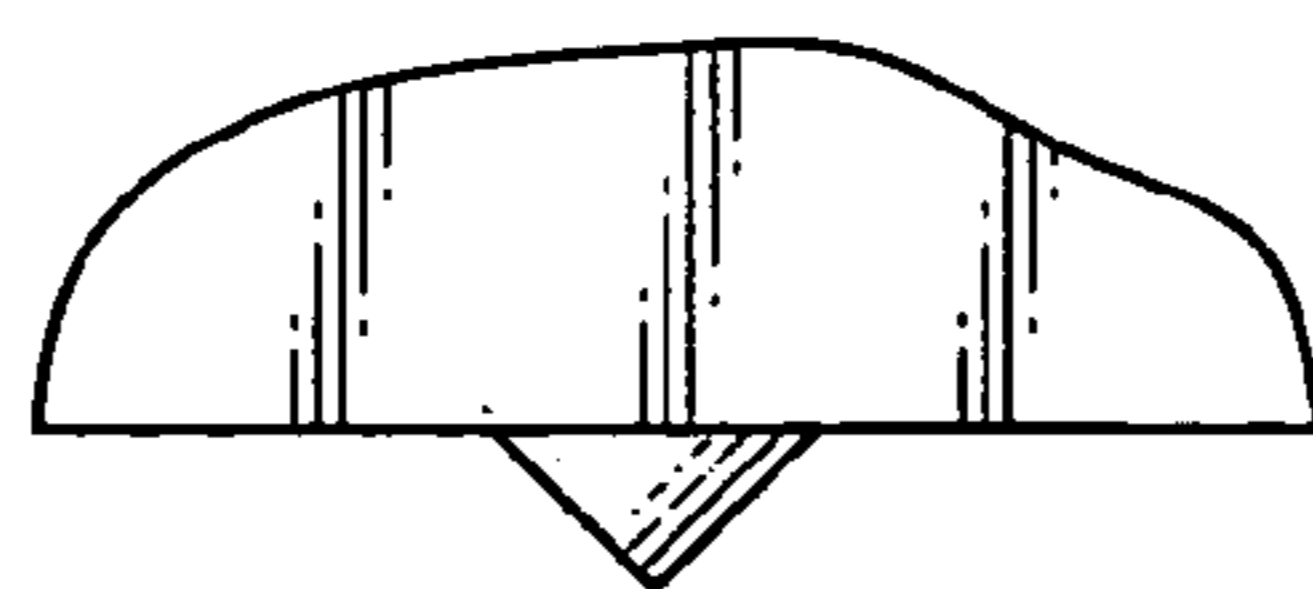


Fig. 20

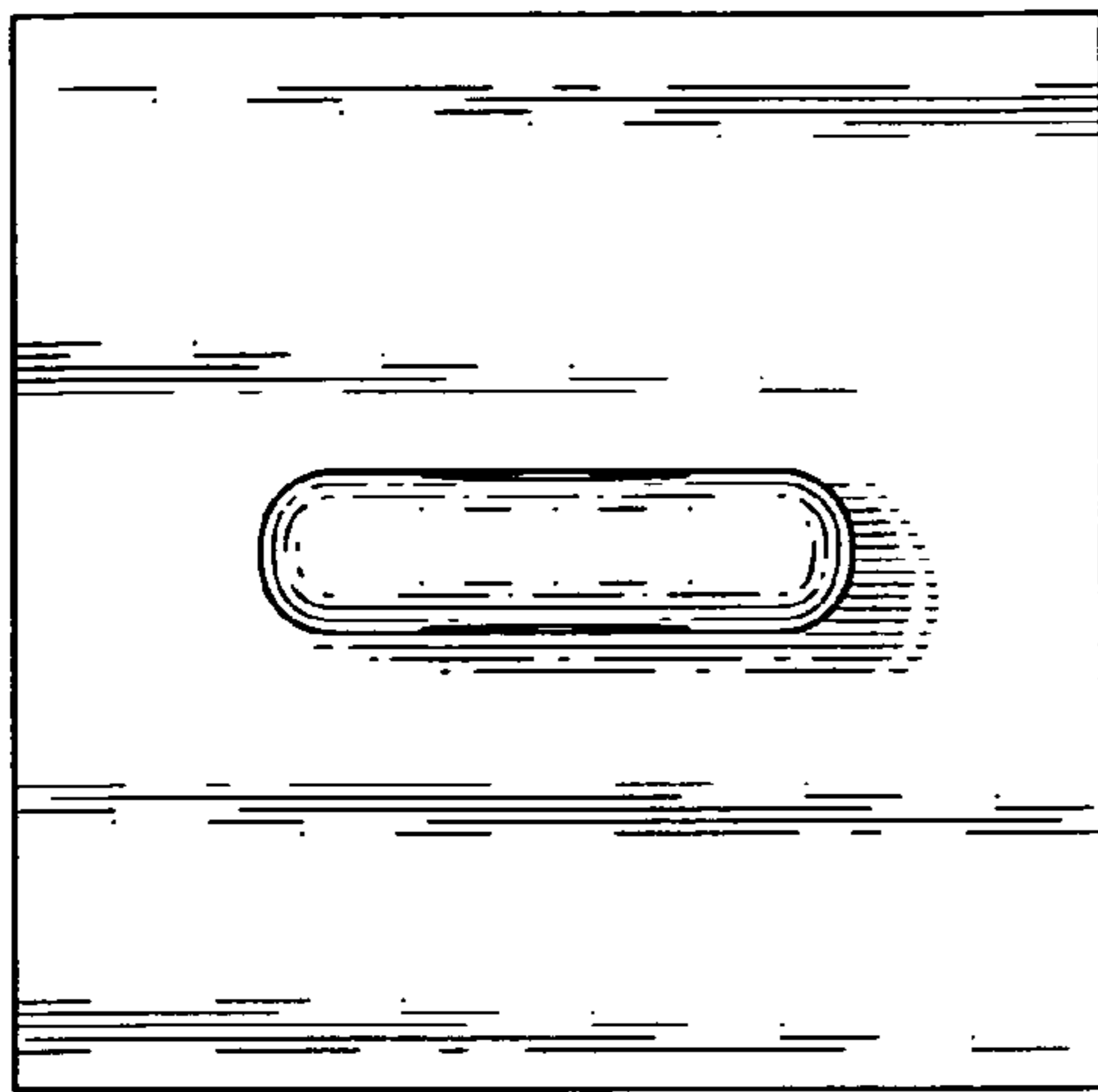


Fig. 21

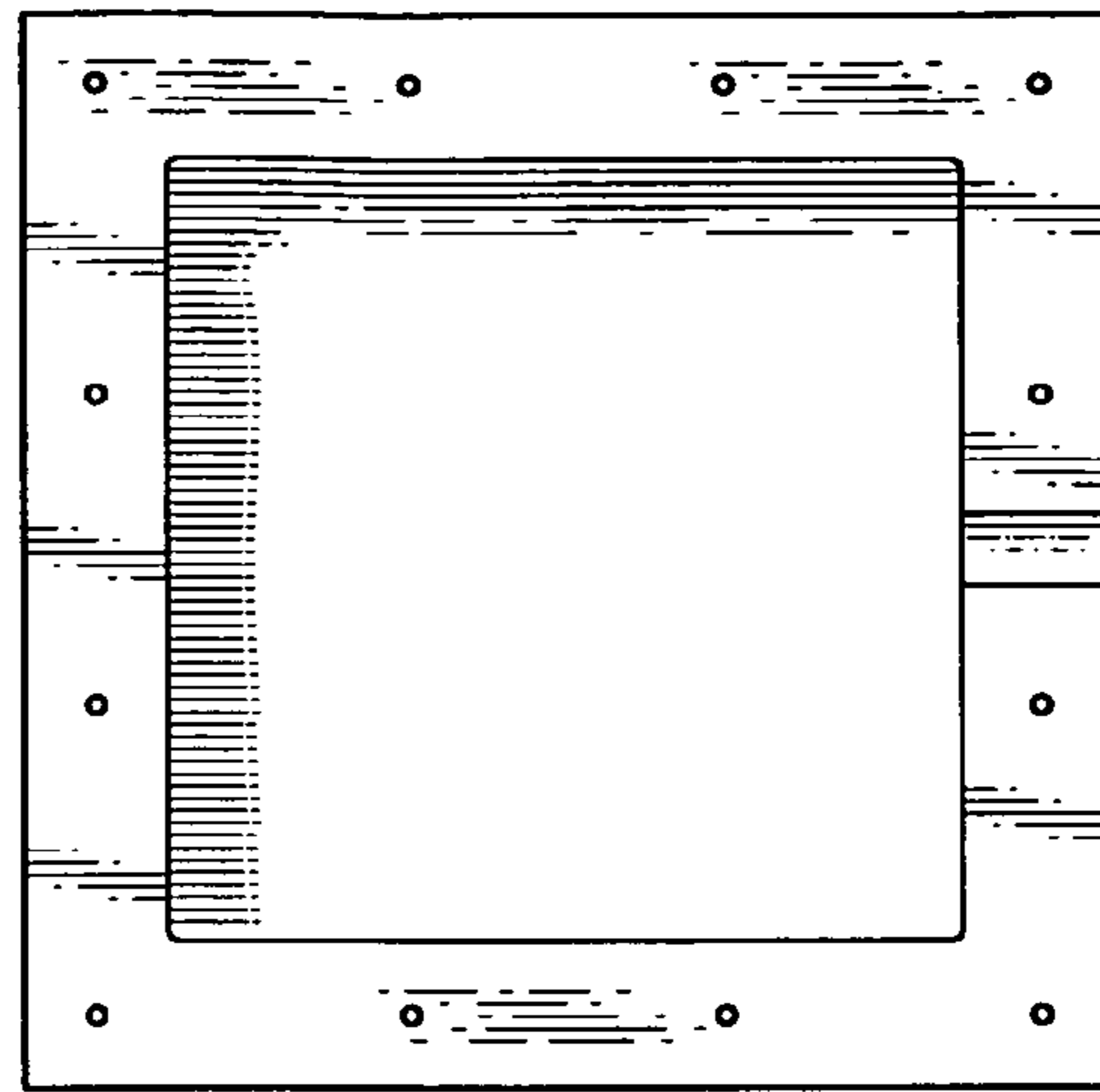


Fig. 22

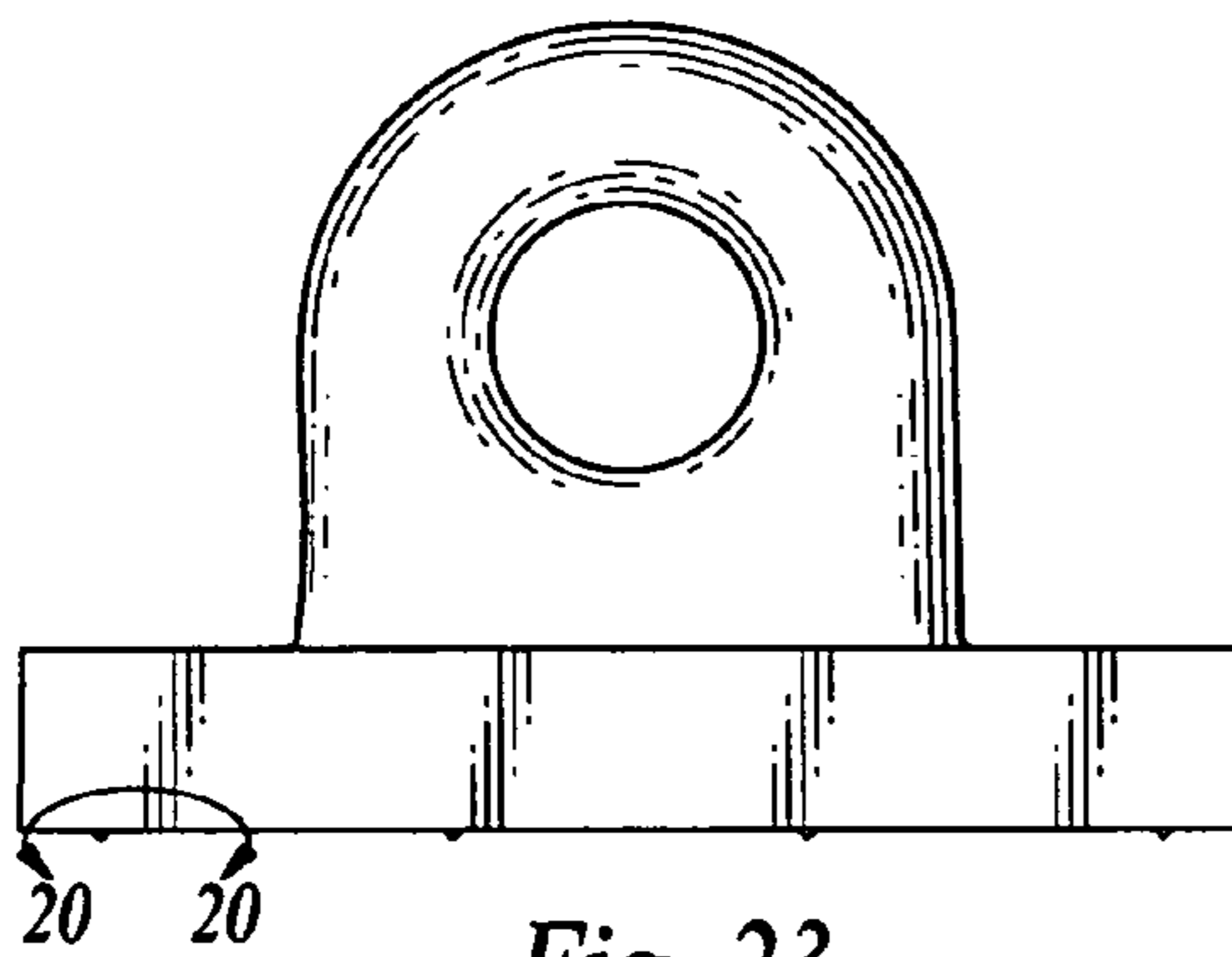


Fig. 23

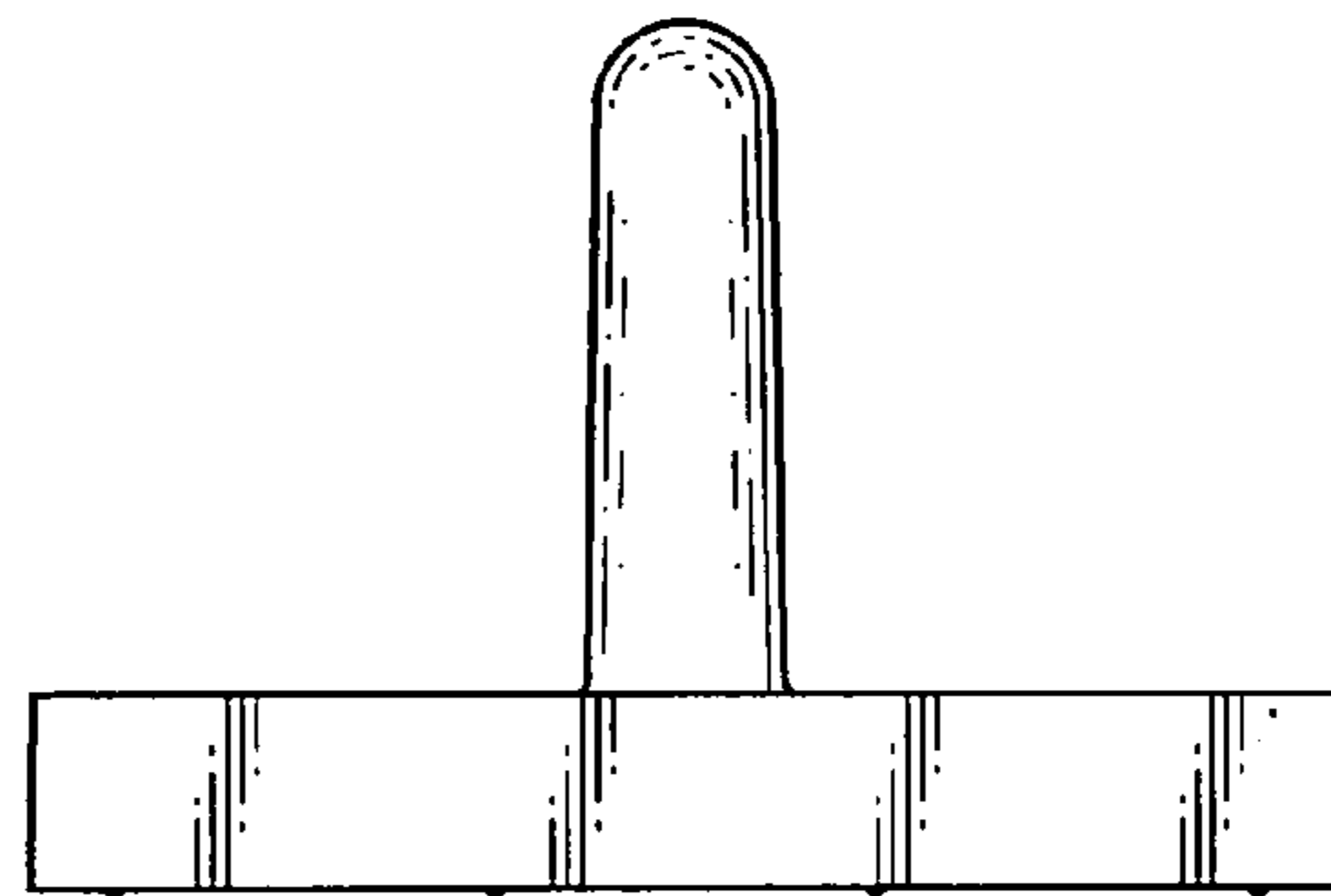


Fig. 24

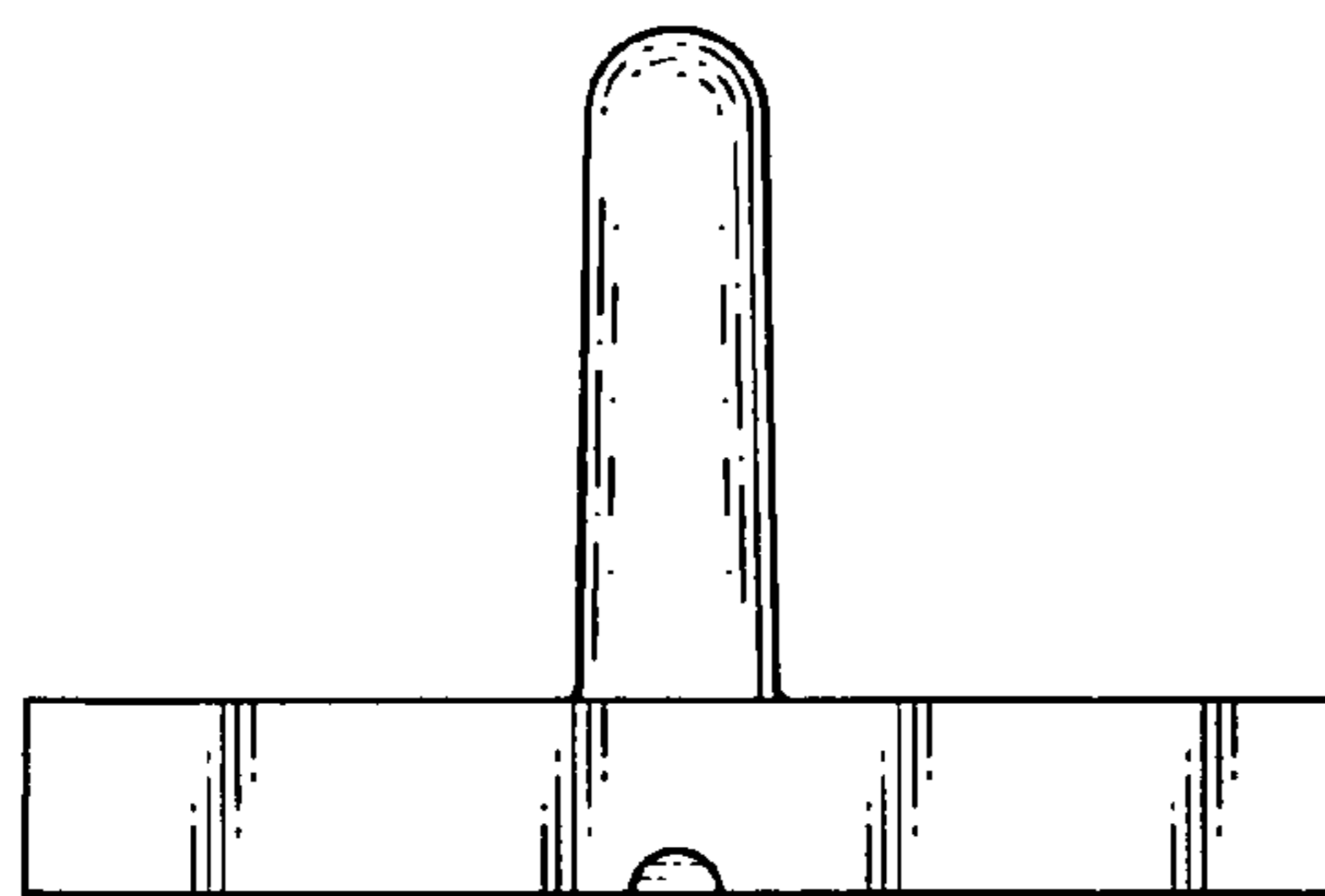


Fig. 25



Fig. 26



Fig. 27



Fig. 28

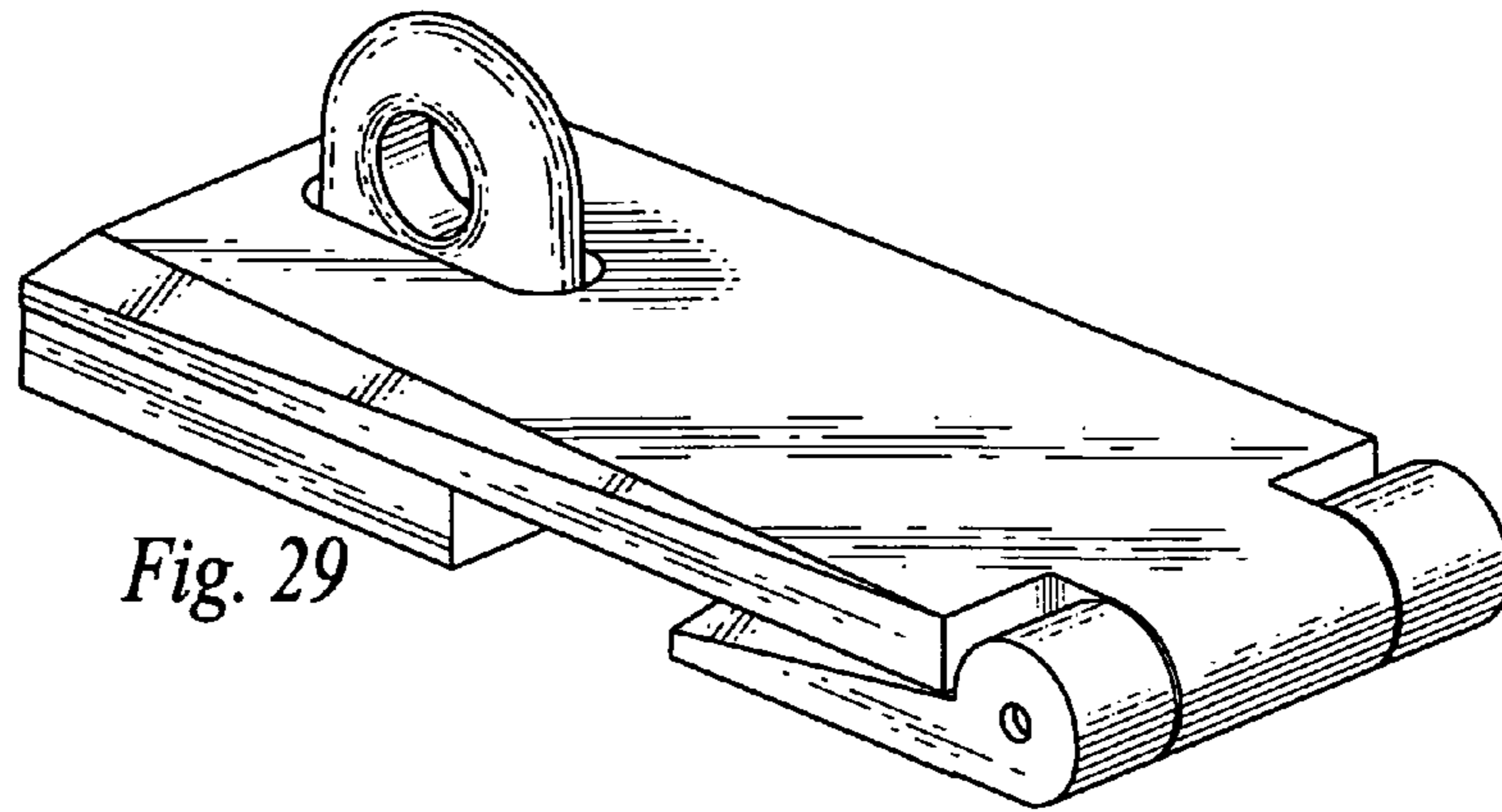


Fig. 29

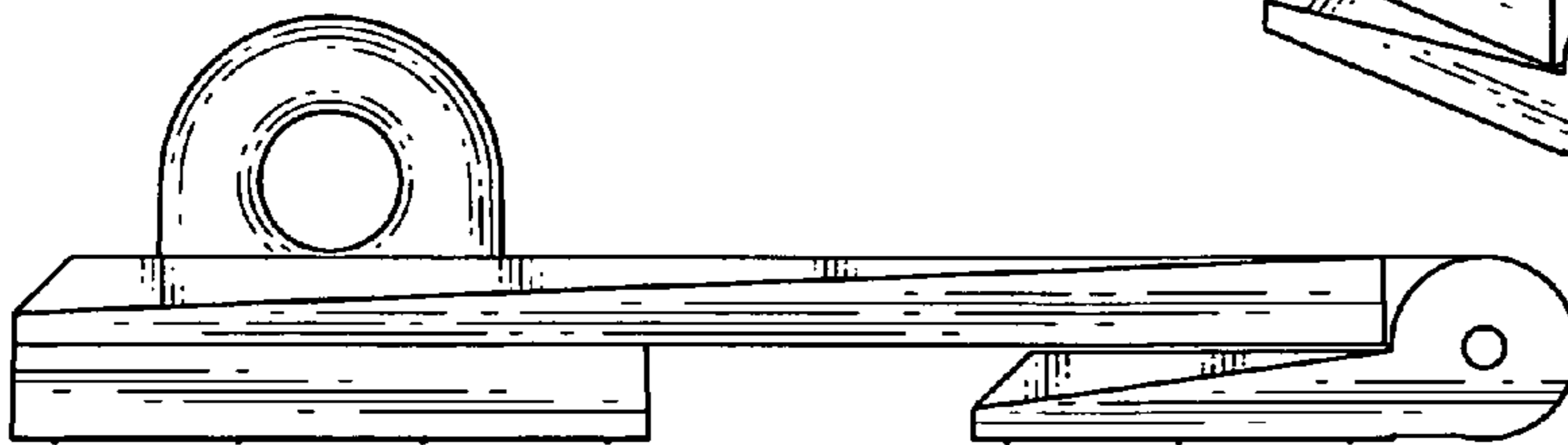


Fig. 30

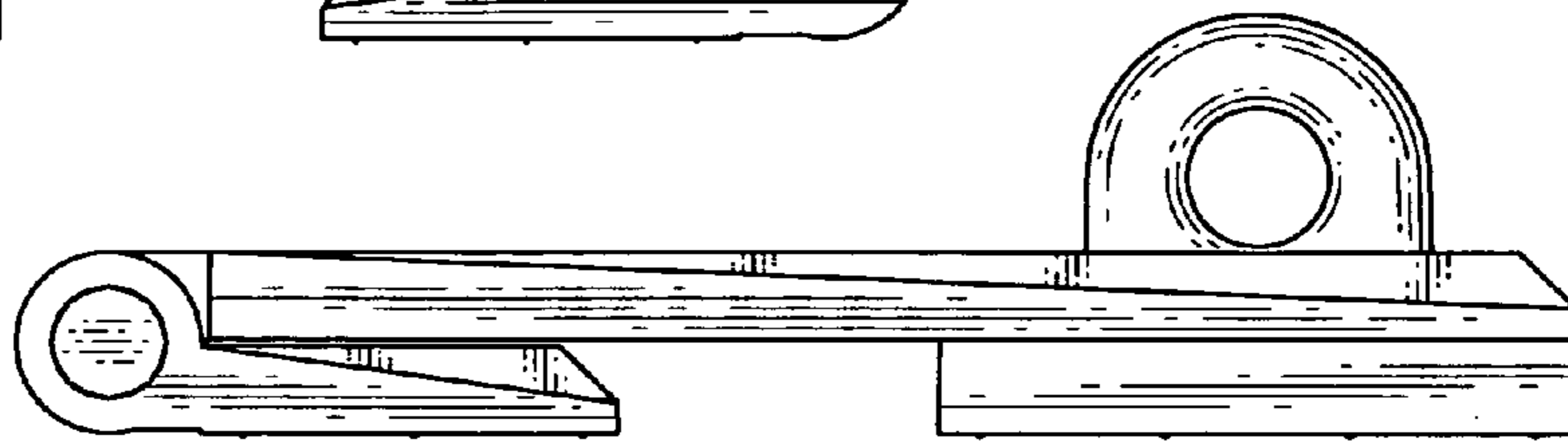


Fig. 31

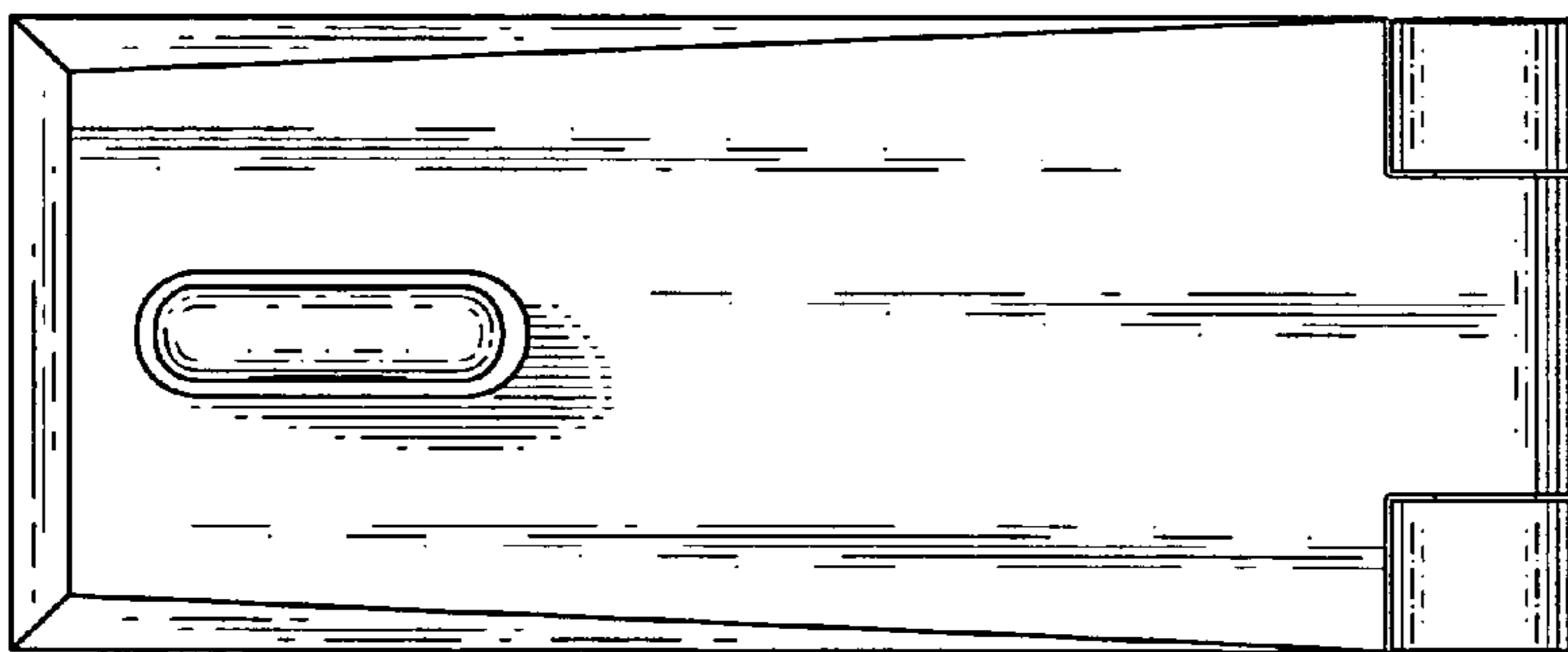


Fig. 32

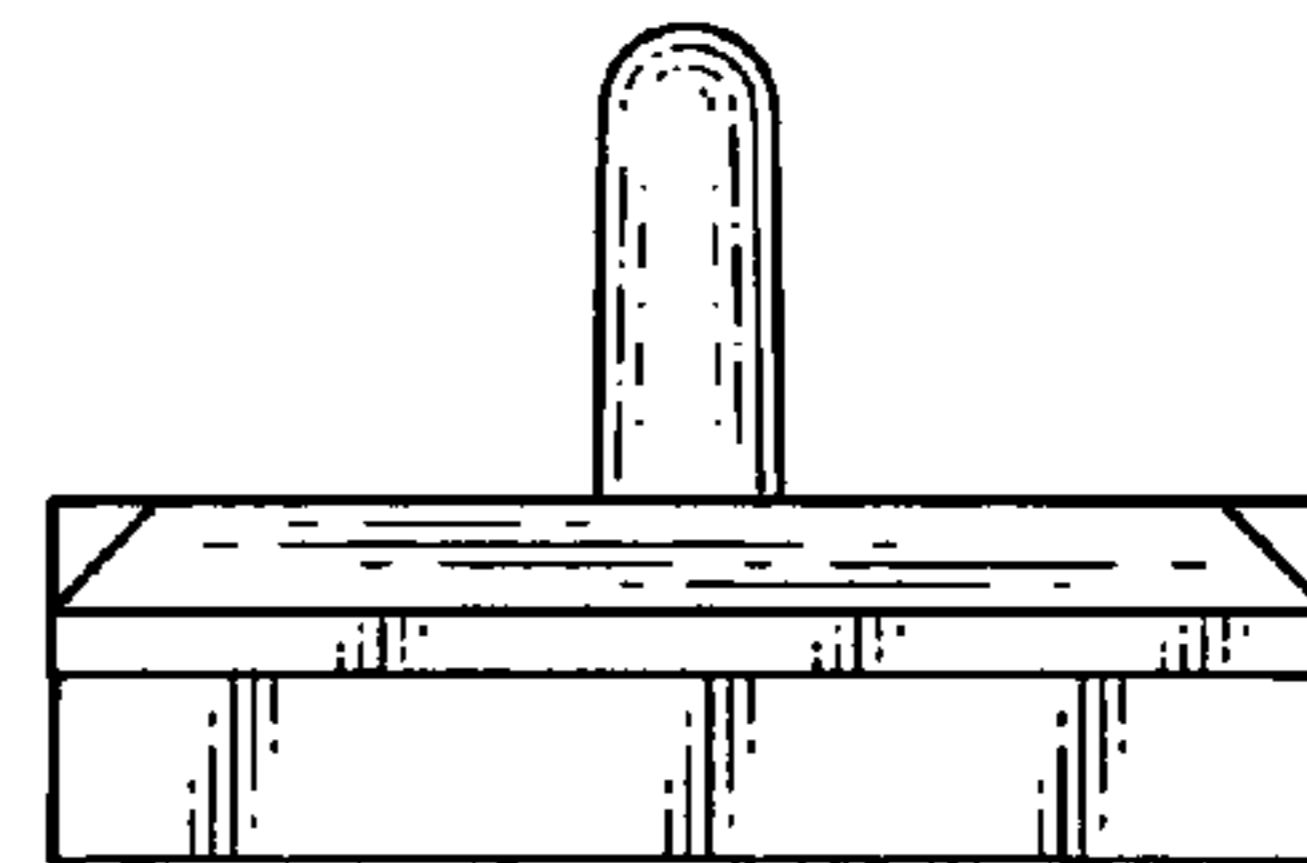


Fig. 33

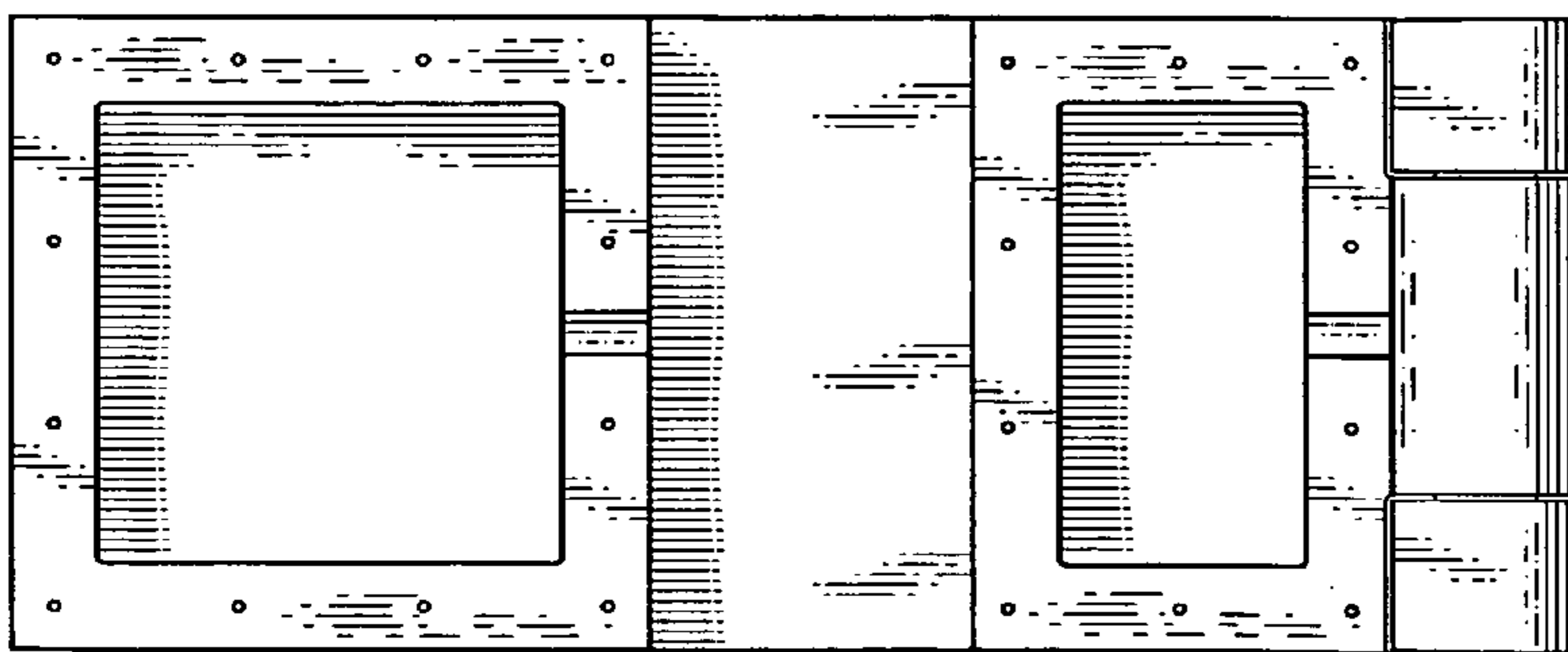


Fig. 35

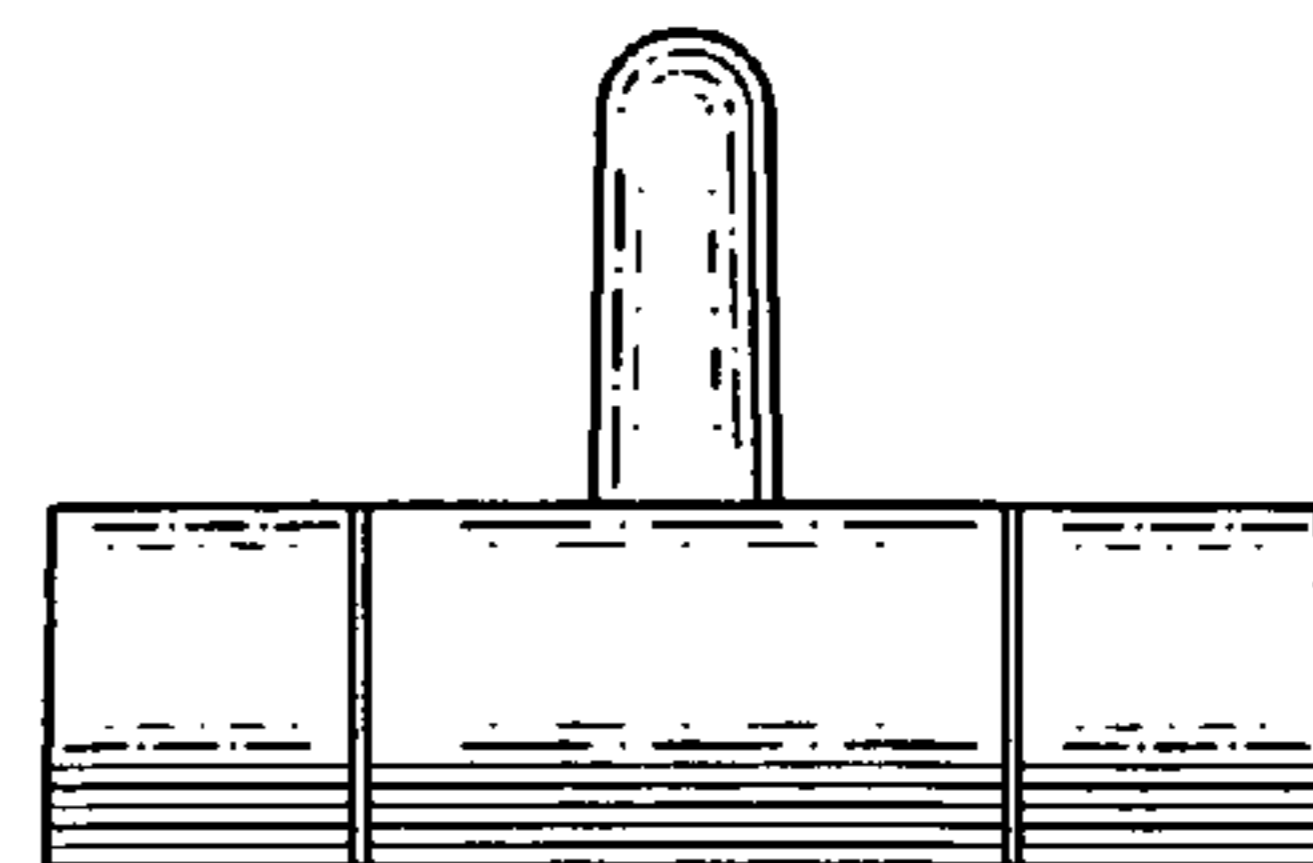


Fig. 34