



US00D604138S

(12) **United States Design Patent**
Forsythe

(10) **Patent No.:** **US D604,138 S**

(45) **Date of Patent:** **** Nov. 17, 2009**

(54) **PLIER NAIL AND STAPLE PULLER**

(75) **Inventor:** **Kevin N. Forsythe**, 3804 E. Crystal Lake Ave., Crystal Lake, IL (US) 60014

(73) **Assignee:** **Kevin N. Forsythe**, Crystal Lake, IL (US)

(**) **Term:** **14 Years**

(21) **Appl. No.:** **29/316,050**

(22) **Filed:** **Aug. 19, 2009**

Related U.S. Application Data

(62) Division of application No. 29/335,417, filed on Apr. 15, 2009, now Pat. No. Des. 600,995.

(51) **LOC (9) Cl.** **08-05**

(52) **U.S. Cl.** **D8/105; D8/48**

(58) **Field of Classification Search** D8/99, D8/58, 55, 52, 356, 107, 105; D19/65; 81/440, 81/427.5; 7/160, 138, 128, 118, 109, 130, 7/137; 30/298.4, 162, 161, 155; 254/22
See application file for complete search history.

(56) **References Cited**

U.S. PATENT DOCUMENTS

59,131	A *	10/1866	Longshore	7/109
562,746	A *	6/1896	Smith	7/130
1,387,653	A *	8/1921	Lorentzen	254/22
1,452,545	A *	4/1923	Bradley	254/22
D368,417	S *	4/1996	Hebert	D8/52
D470,384	S *	2/2003	Makedonski	D8/105
6,629,684	B2 *	10/2003	Youngren et al.	254/19

6,733,001	B2 *	5/2004	Wagner	254/22
6,886,810	B2 *	5/2005	Forrester	254/22
6,934,991	B2 *	8/2005	Kinkade	7/137
D543,813	S *	6/2007	Tutorow	D8/52
D558,013	S *	12/2007	Sykes, II	D8/52
7,438,278	B2 *	10/2008	Wagner	254/22
2002/0056832	A1 *	5/2002	Wagner	254/22
2003/0030044	A1 *	2/2003	Youngren et al.	254/19
2005/0062025	A1 *	3/2005	Forrester	254/22
2005/0211960	A1 *	9/2005	Wagner	254/22
2006/0248730	A1 *	11/2006	Miller et al.	30/175

* cited by examiner

Primary Examiner—Cathron C Brooks

Assistant Examiner—Austin Murphy

(74) *Attorney, Agent, or Firm*—Mathew R. P. Perrone, Jr.; Brie A. Crawford

(57) **CLAIM**

The ornamental design for a plier nail and staple puller, as shown and described.

DESCRIPTION

FIG. 1 is a perspective view of a plier nail and staple puller of my invention;

FIG. 2 is a front plan view of a plier nail and staple puller of my invention;

FIG. 3 is a rear plan view thereof, based on FIG. 2;

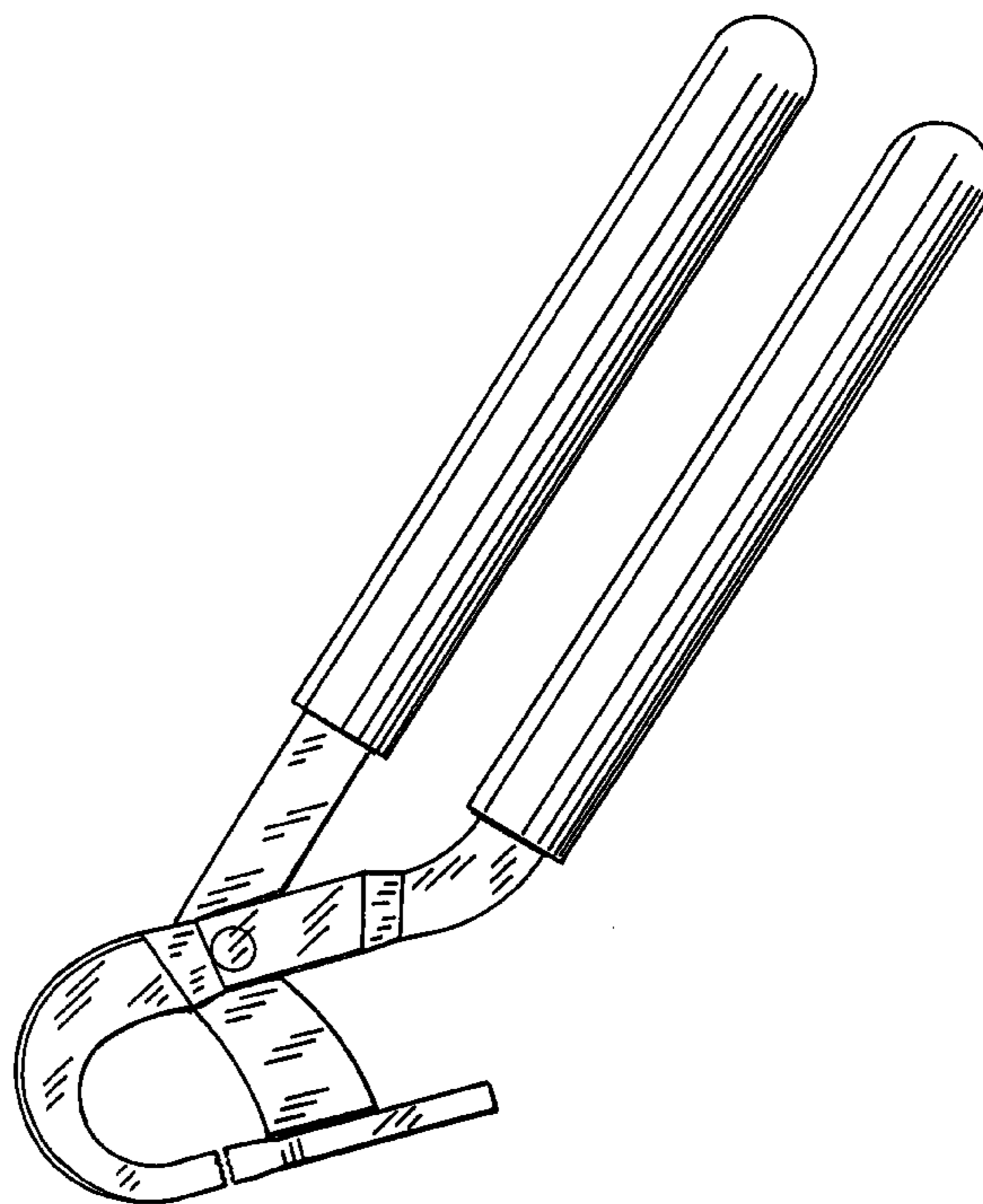
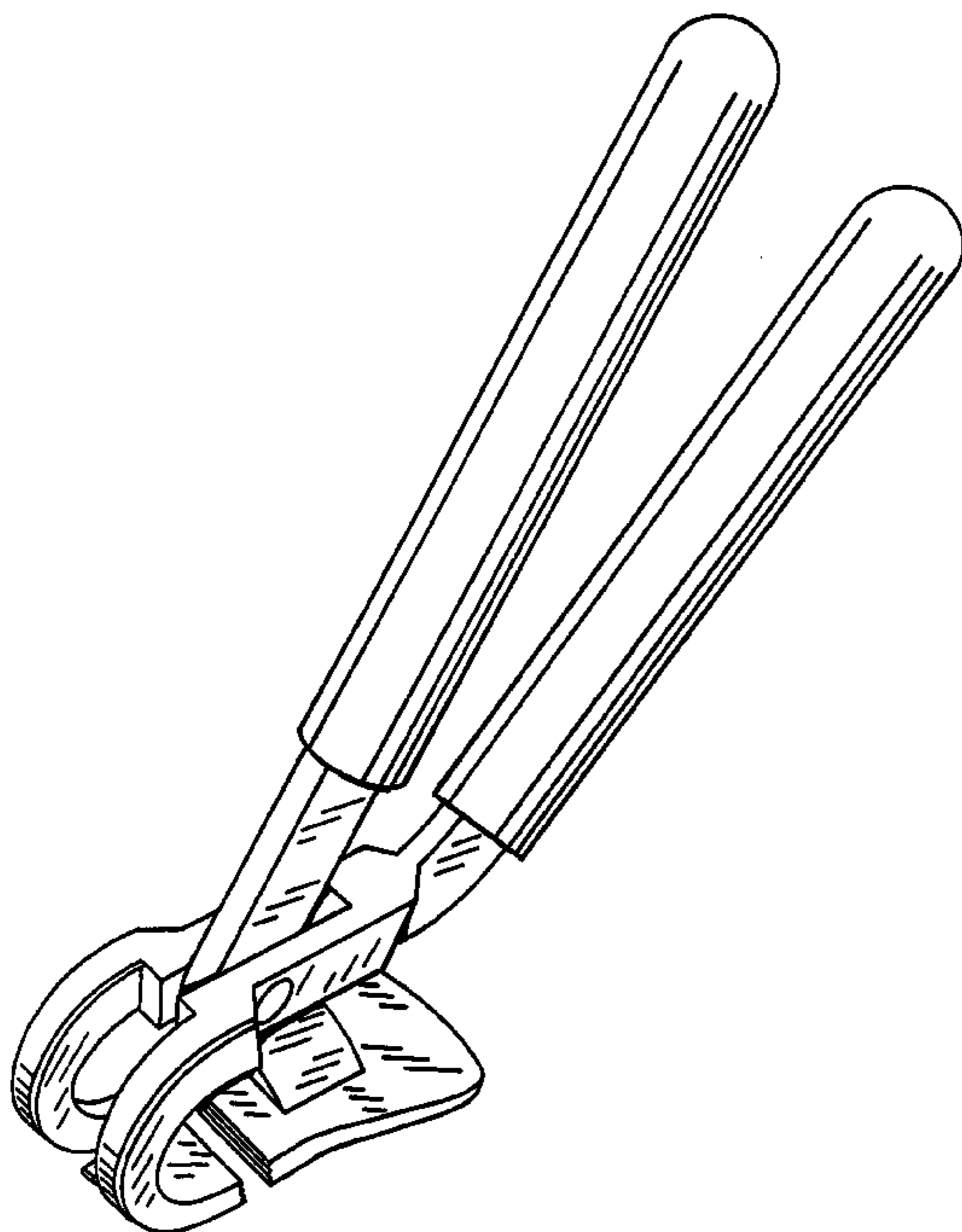
FIG. 4 is a top plan view thereof, based on FIG. 2;

FIG. 5 is a bottom plan view thereof, based on FIG. 3;

FIG. 6 is a side view thereof, based on FIG. 2; and,

FIG. 7 is a side view thereof and a reverse view of FIG. 6.

1 Claim, 5 Drawing Sheets



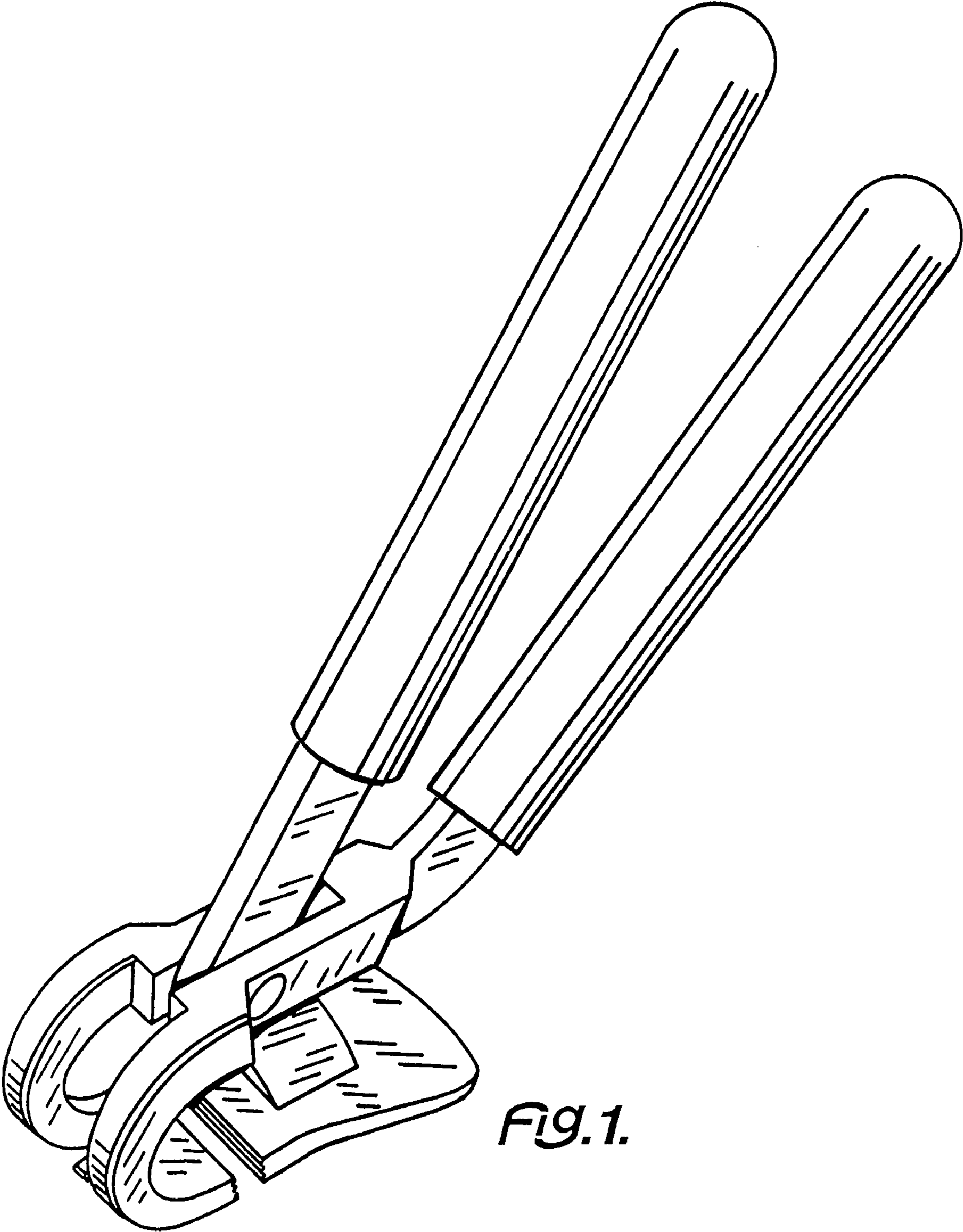


FIG. 1.

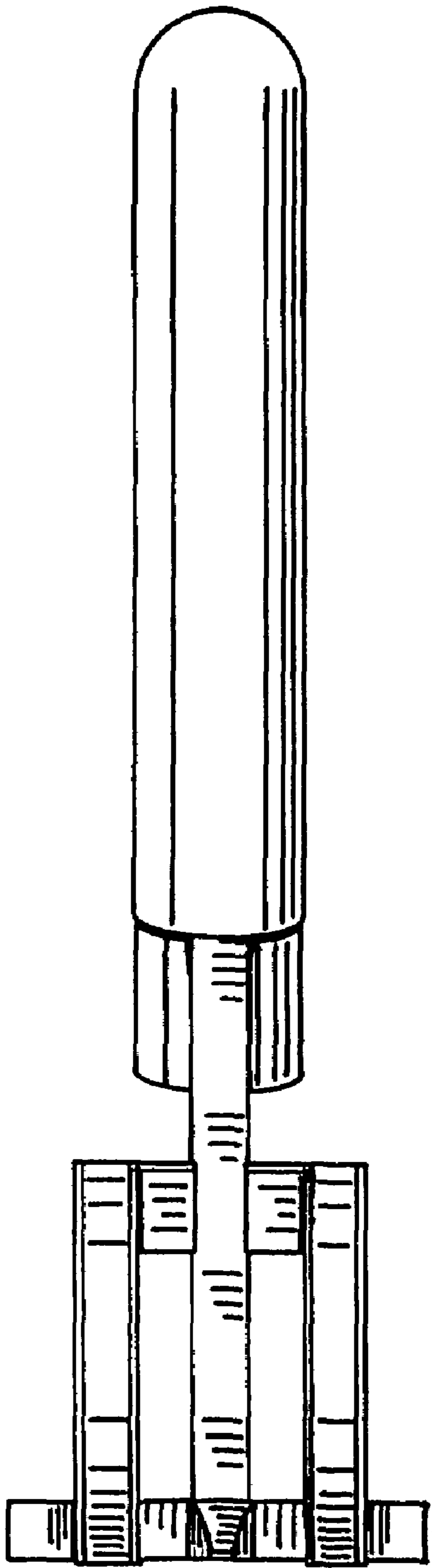


FIG. 2.

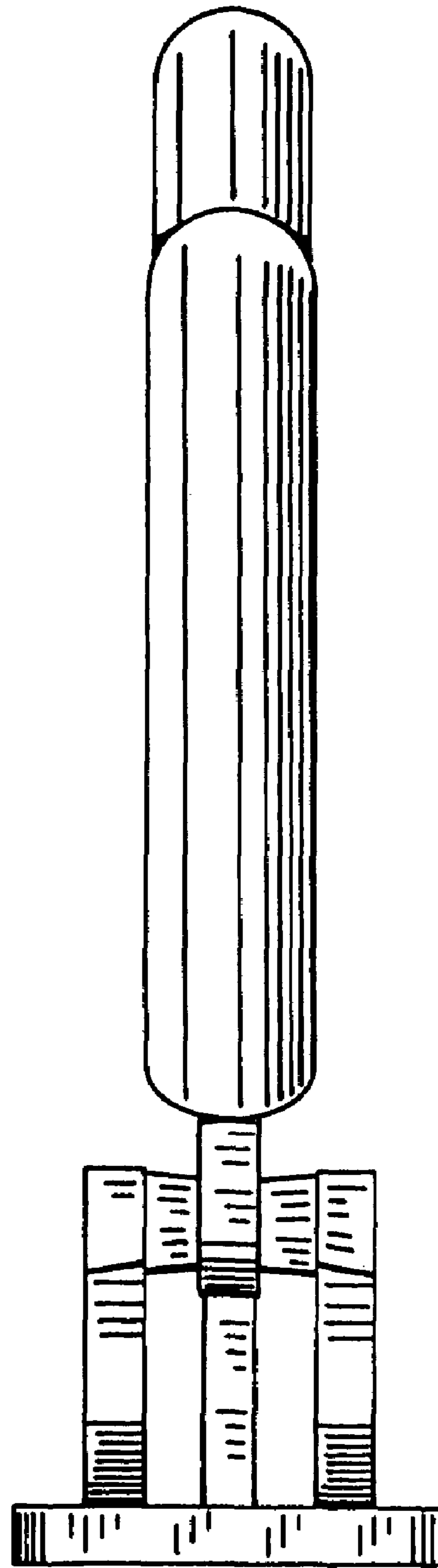


FIG. 3.

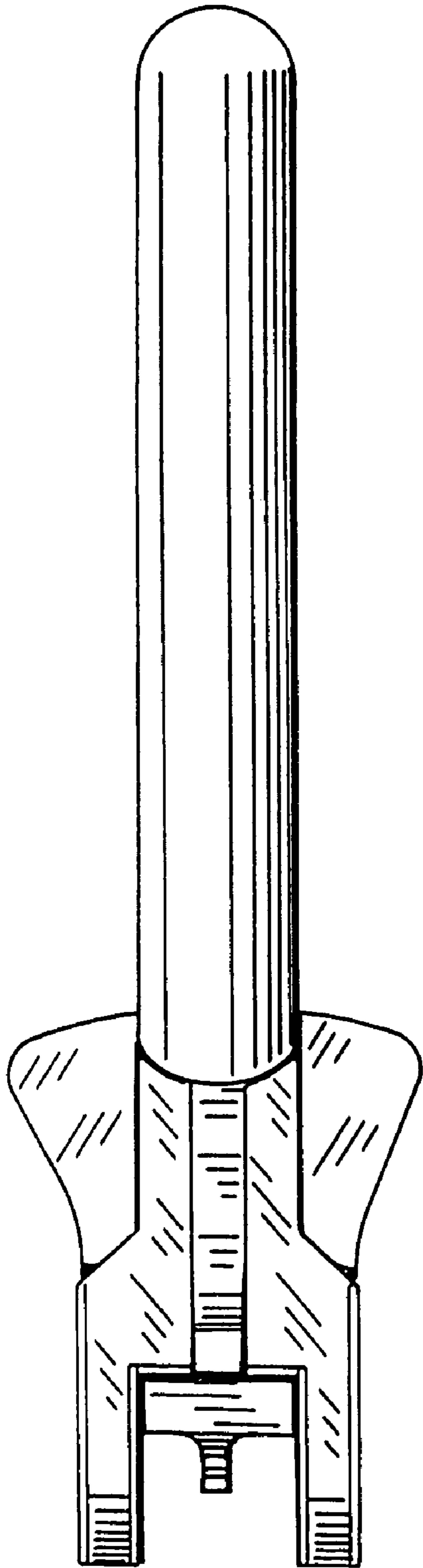


FIG. 4.

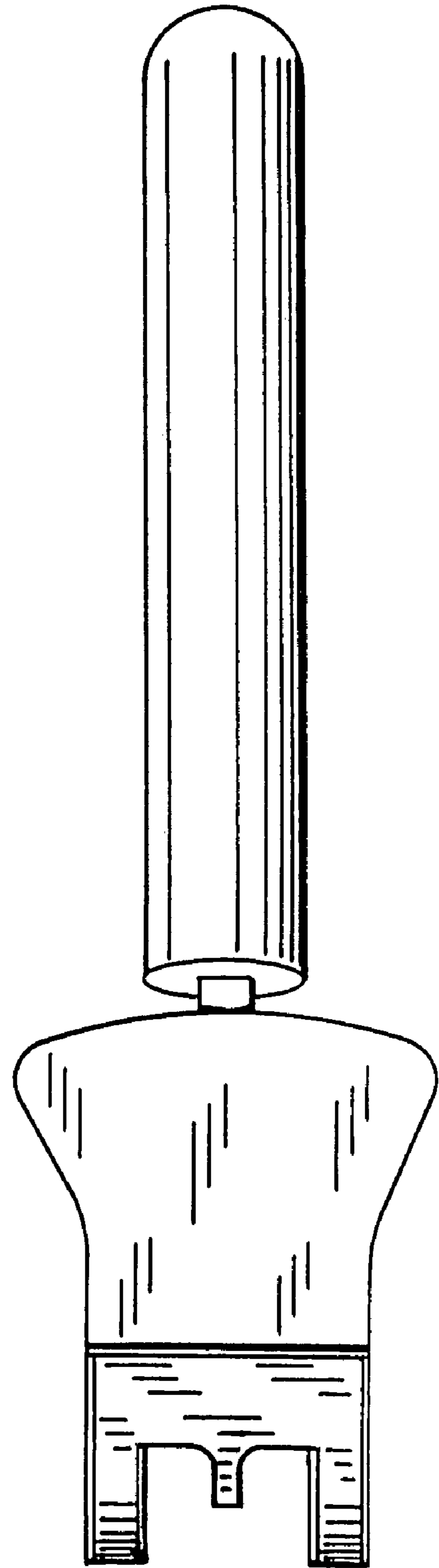


FIG. 5.

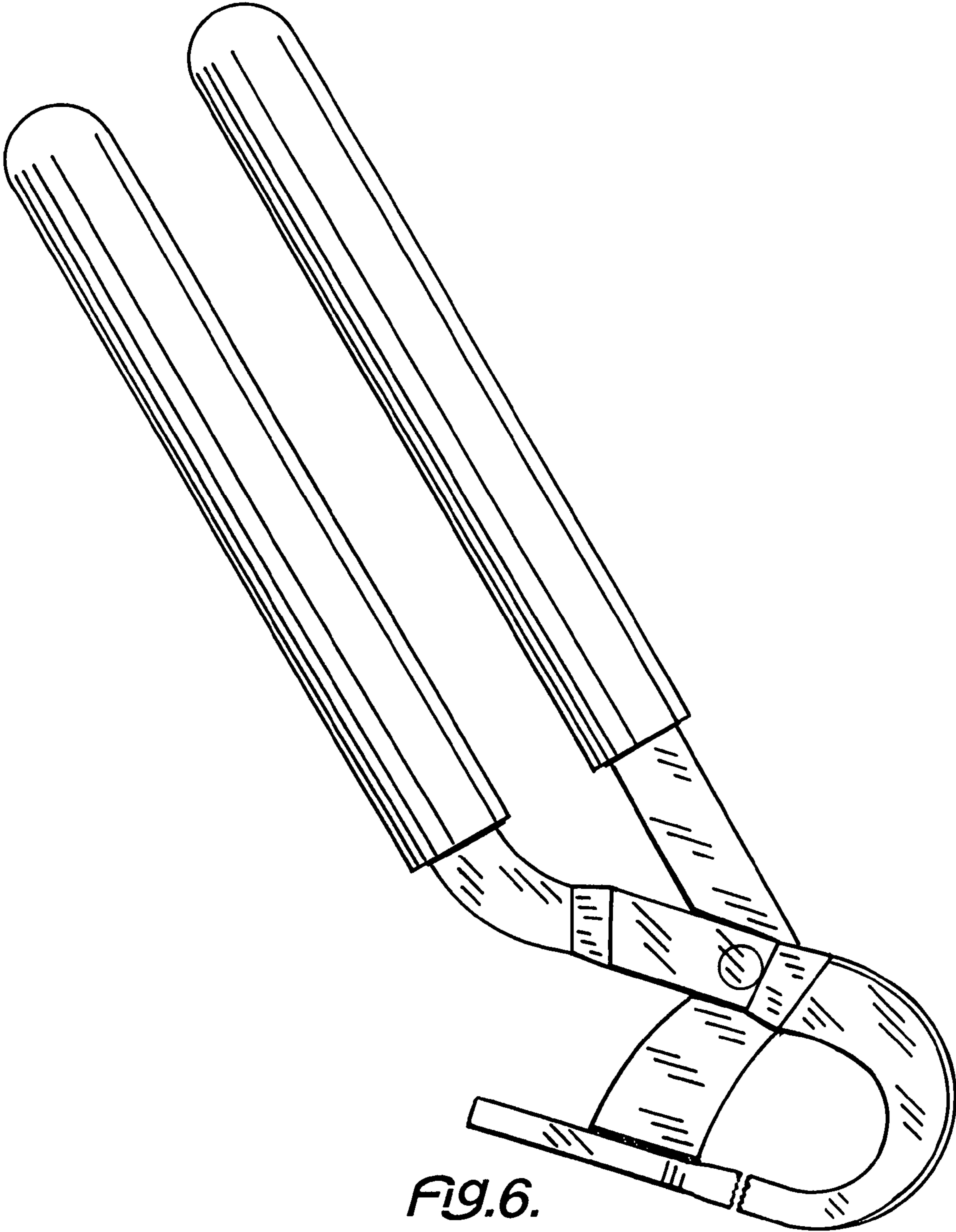


FIG. 6.

