



US00D604137S

(12) **United States Design Patent**
Ebert

(10) **Patent No.:** **US D604,137 S**

(45) **Date of Patent:** **** *Nov. 17, 2009**

(54) **CUTTING DEVICE**

(75) Inventor: **Winfried Ebert, Weibern (DE)**

(73) Assignee: **Wolfcraft, GmbH, Kempenich (DE)**

(**) Term: **14 Years**

(21) Appl. No.: **29/320,440**

(22) Filed: **Jun. 26, 2008**

(51) **LOC (9) Cl.** **08-03**

(52) **U.S. Cl.** **D8/98; D8/51**

(58) **Field of Classification Search** D8/14,
D8/51, 98; D18/34; 83/468, 468.1, 607,
83/608, 609

See application file for complete search history.

(56) **References Cited**

U.S. PATENT DOCUMENTS

2,256,606	A *	9/1941	Blanc	83/468
2,563,741	A *	8/1951	Patton	83/607
2,789,642	A	4/1957	Schwork	
3,134,285	A *	5/1964	Greene	83/468.3
3,735,445	A *	5/1973	Jurcak	83/607
4,401,002	A *	8/1983	Worsham	83/468.1
5,010,795	A *	4/1991	Kania	83/607
5,038,477	A *	8/1991	Parrow	83/607
5,044,243	A *	9/1991	Aizawa	83/607
5,251,524	A *	10/1993	Clifford	83/607
D409,651	S *	5/1999	Rellinger	D18/34.7
D448,631	S	10/2001	Erickson	
6,595,093	B1	7/2003	Artigas	
2007/0137453	A1	6/2007	Marcon	
2008/0314217	A1	12/2008	Marcon	

FOREIGN PATENT DOCUMENTS

DE 681039 9/1939

DE	202005010660	10/2005
EP	1 855 848	11/2007
FR	575749	8/1924
FR	612747	10/1926
FR	847014	10/1939
FR	2576054	7/1986
GB	723063	2/1955

* cited by examiner

Primary Examiner—Philip S Hyder

(74) *Attorney, Agent, or Firm*—K&L Gates LLP

(57) **CLAIM**

The ornamental design for a cutting device, as shown and described.

DESCRIPTION

A portion of the disclosure of this patent document contains or may contain material which is subject to copyright protection. The copyright owner has no objection to the photocopy reproduction by anyone of the patent document or the patent disclosure in exactly the form it appears in the U.S. Patent and Trademark Office patent file or records, but otherwise reserves all copyright rights whatsoever.

FIG. 1 is a right side view of a cutting device.

FIG. 2 is a top view of the cutting device of FIG. 1.

FIG. 3 is a bottom view of the cutting device of FIG. 1.

FIG. 4 is a front view of the cutting device of FIG. 1.

FIG. 5 is a rear view of the cutting device of FIG. 1.

FIG. 6 is a left side view of the cutting device of FIG. 1; and,

FIG. 7 is a perspective view of the cutting device of FIG. 1.

1 Claim, 6 Drawing Sheets

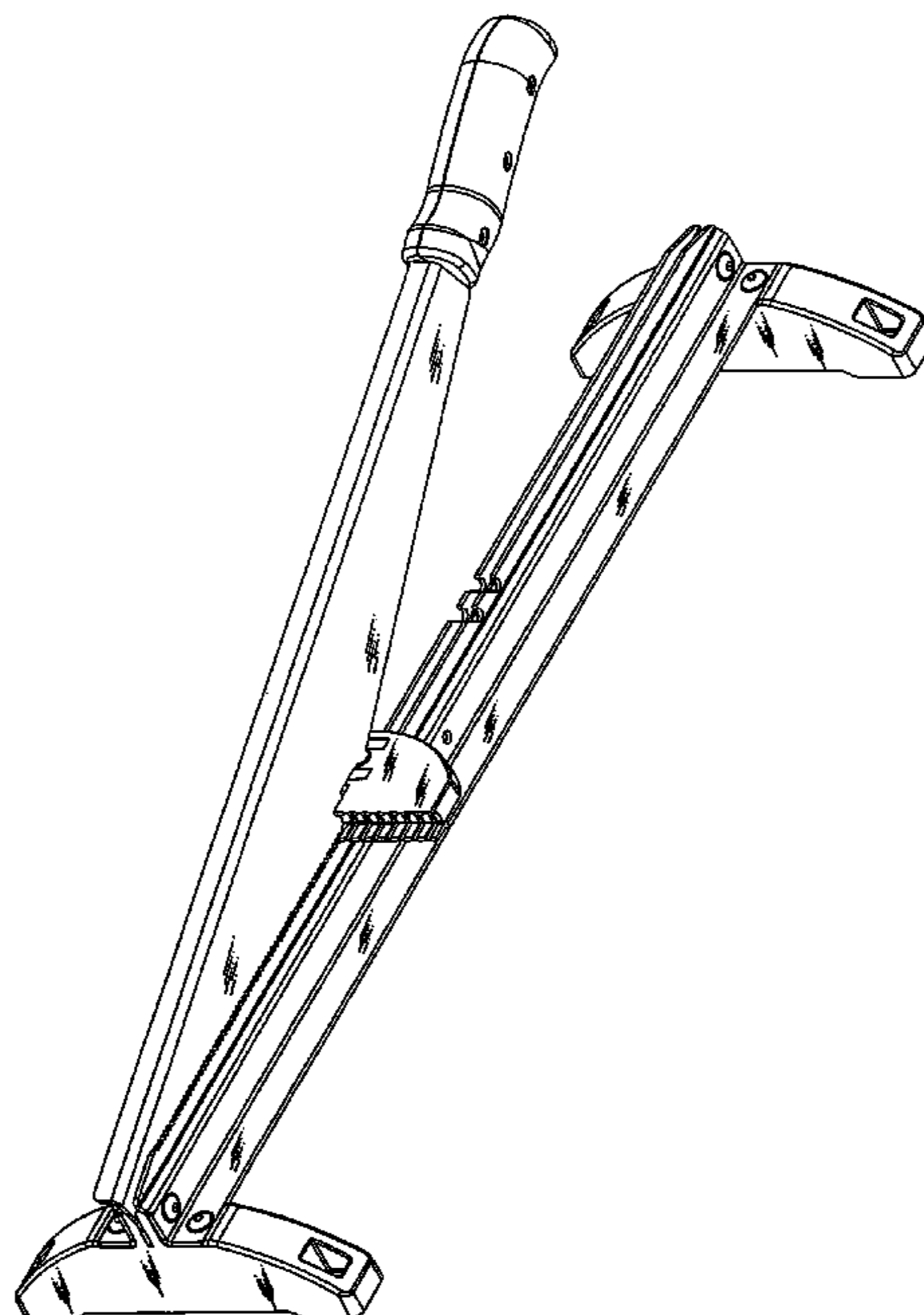


Fig. 1

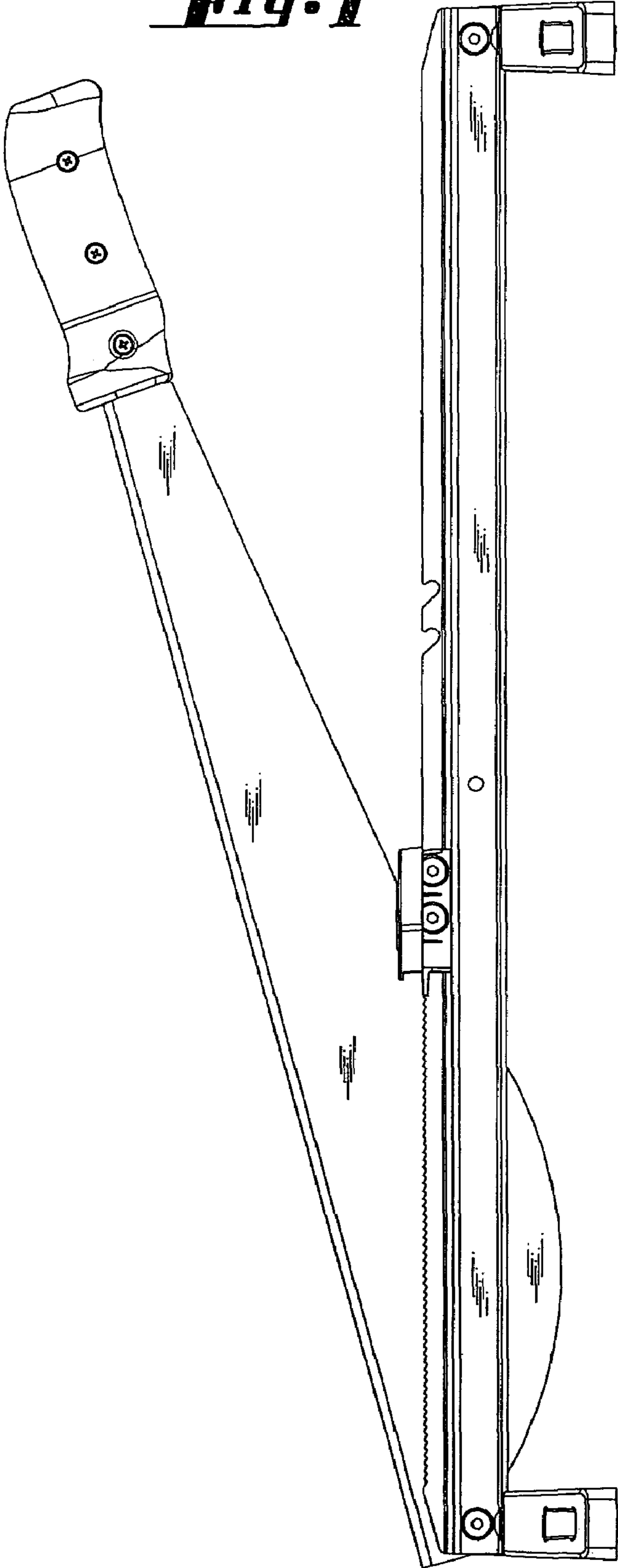


Fig. 2

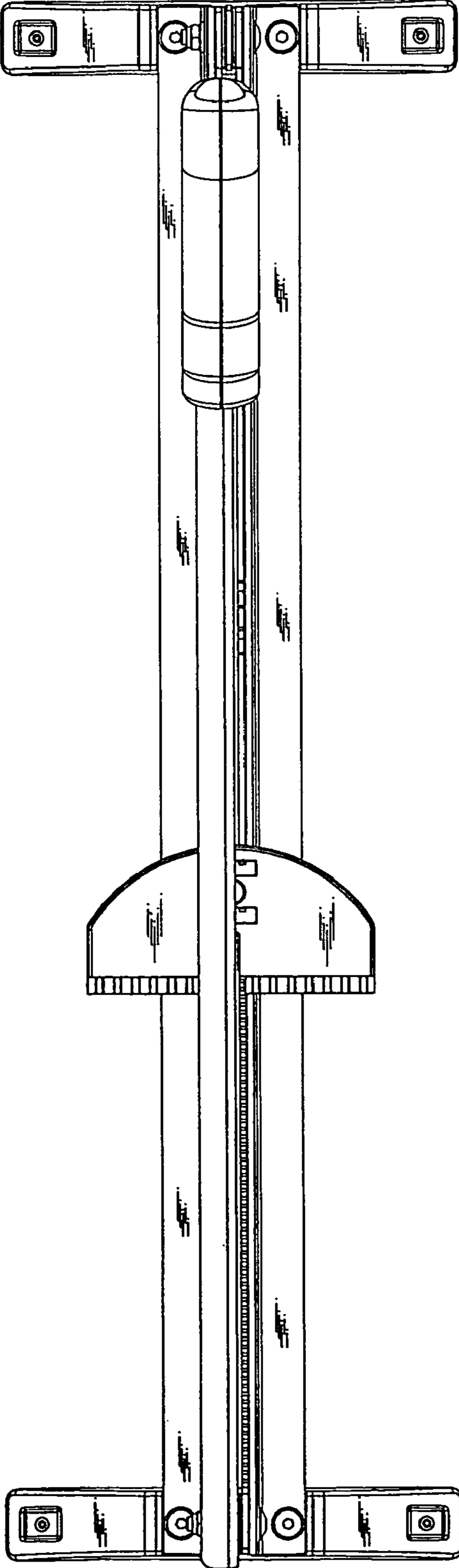


Fig. 3

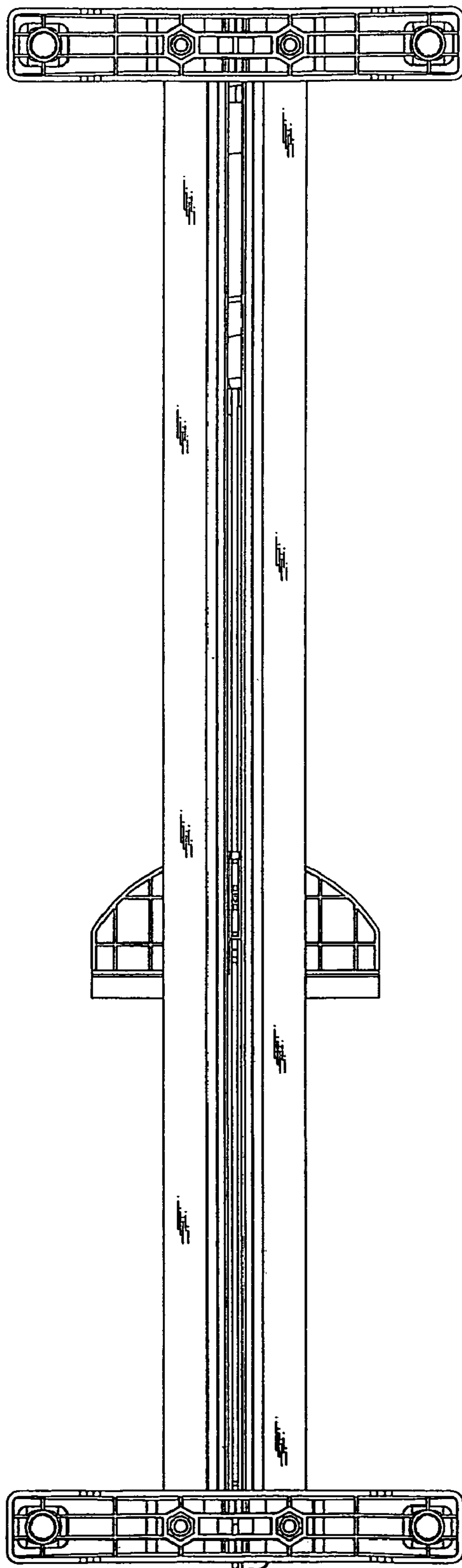


Fig. 4

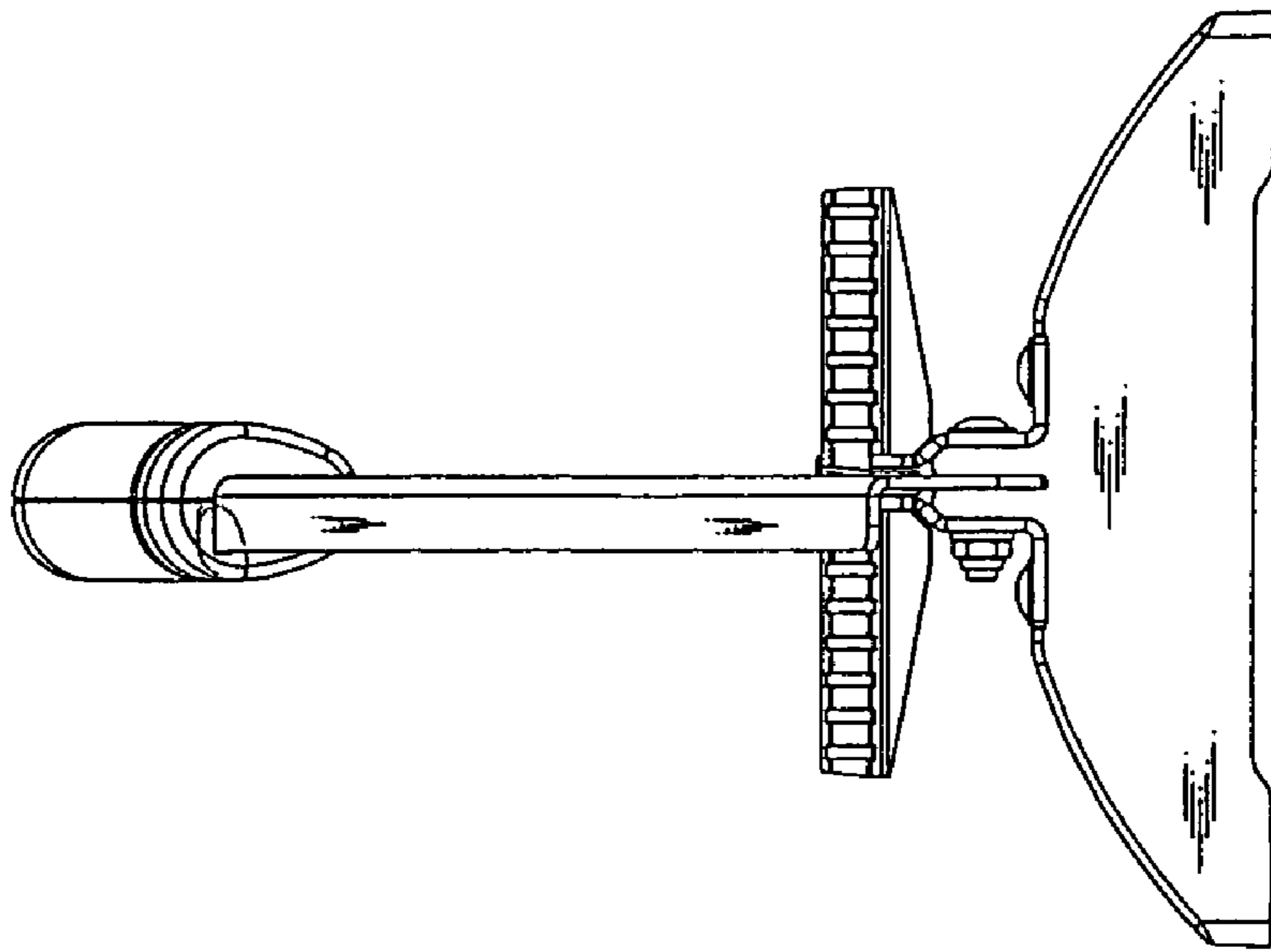


Fig. 5

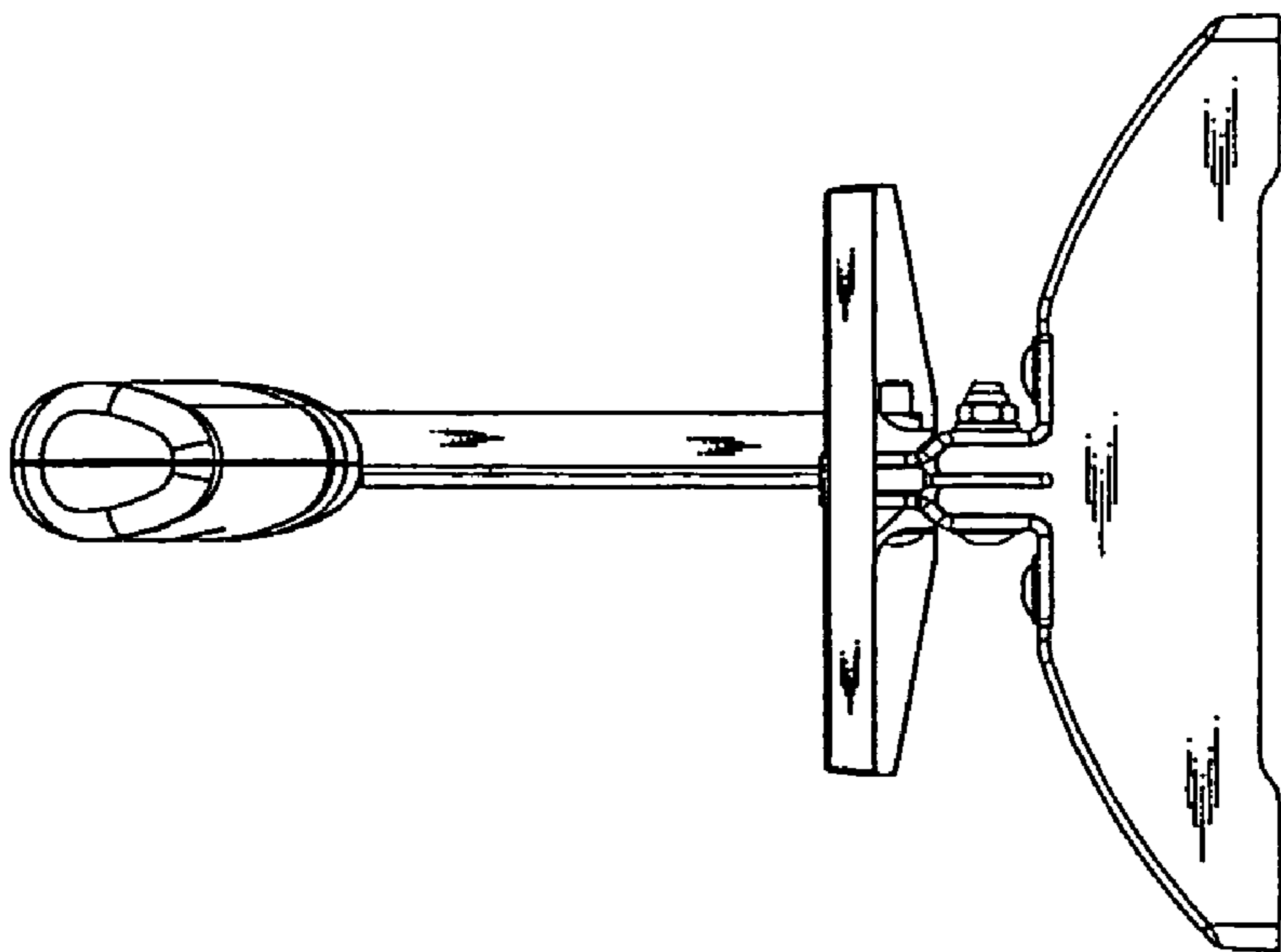


Fig. 6

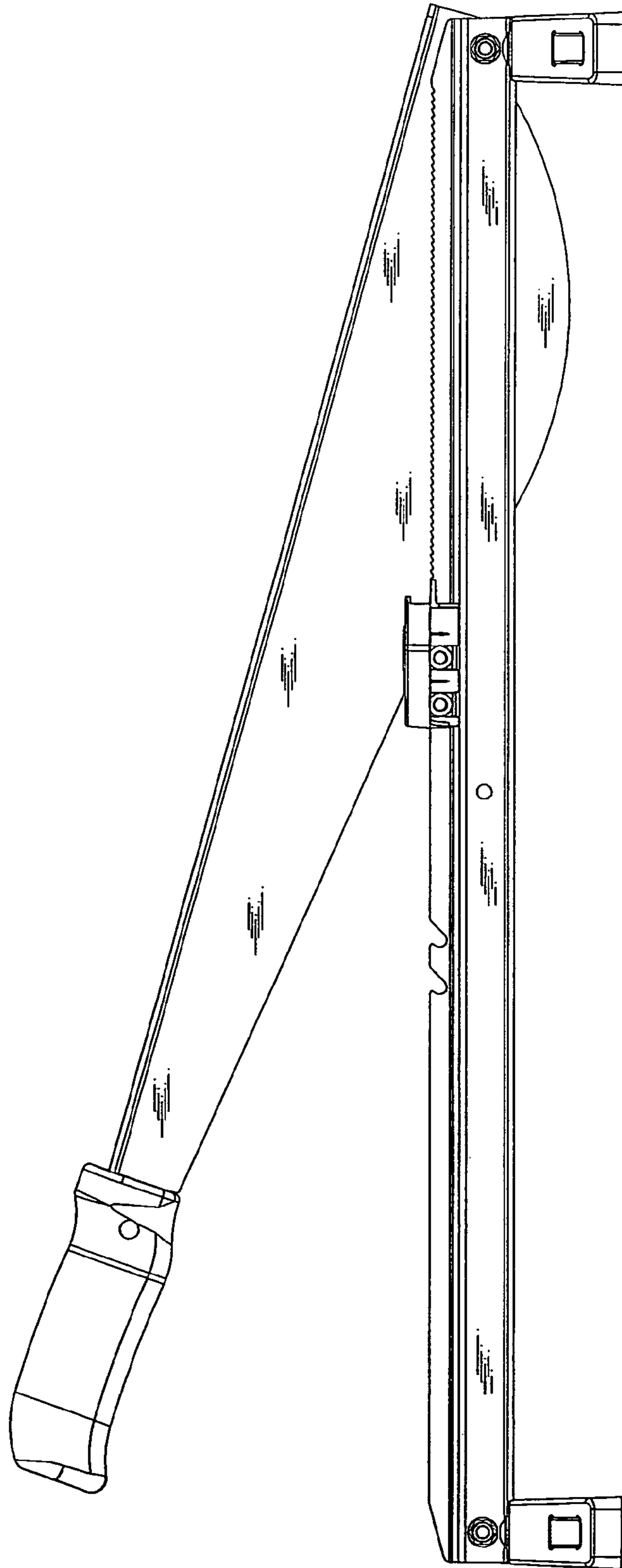


Fig. 7

