

US00D604135S

(12) **United States Design Patent**  
**Smith et al.**

(10) **Patent No.:** **US D604,135 S**

(45) **Date of Patent:** **\*\* Nov. 17, 2009**

(54) **KNIFE AND SCISSORS SHARPENER**

(75) Inventors: **Richard S. Smith**, Hot, AR (US); **Louis Challant**, Hot Springs, AR (US)

(73) Assignee: **Smith Abrasives, Inc.**, Hot Springs, AR (US)

(\*\*) Term: **14 Years**

(21) Appl. No.: **29/313,856**

(22) Filed: **Feb. 13, 2009**

(51) **LOC (9) Cl.** ..... **08-85**

(52) **U.S. Cl.** ..... **D8/63**; D8/93

(58) **Field of Classification Search** ..... D8/93,  
D8/63, 91, 35, 61, 62, 68, 69; 451/8, 65,  
451/45, 344, 293, 282, 177, 193; D19/73  
See application file for complete search history.

(56) **References Cited**

U.S. PATENT DOCUMENTS

D289,885 S *	5/1987	Ader	.....	D8/63
D308,018 S *	5/1990	Linden et al.	.....	D8/93
D309,414 S *	7/1990	Shimizu	.....	D8/93
D309,415 S *	7/1990	Shimizu	.....	D8/93
D331,688 S *	12/1992	Busse	.....	D8/63
D342,003 S *	12/1993	Friel et al.	.....	D8/63
D357,395 S *	4/1995	Friel	.....	D8/93
D368,217 S *	3/1996	Friel	.....	D8/93
D372,181 S *	7/1996	Kelley	.....	D8/93
D473,777 S *	4/2003	Thompson et al.	.....	D8/93
D500,439 S *	1/2005	Rosenthal	.....	D8/93
D519,815 S *	5/2006	Friel et al.	.....	D8/91
D525,509 S *	7/2006	Weschenfelder	.....	D8/93
D526,876 S *	8/2006	Smith	.....	D8/93
D587,088 S *	2/2009	Smith	.....	D8/93
D587,550 S *	3/2009	Smith	.....	D8/93
D587,551 S *	3/2009	Friel et al.	.....	D8/93

\* cited by examiner

*Primary Examiner*—Cathron C Brooks

*Assistant Examiner*—Austin Murphy

(74) *Attorney, Agent, or Firm*—Edward D. Gilhooly

(57) **CLAIM**

We claim the design for a knife and scissors sharpener, as shown and described.

**DESCRIPTION**

FIG. 1 is a front perspective view of the design for a knife and scissors sharpener of the invention;

FIG. 2 is top plan view of the knife and scissors sharpener of FIG. 1;

FIG. 3 is a bottom plan view of the knife and scissors sharpener of FIG. 1;

FIG. 4 is a front elevational view of the knife and scissors sharpener of FIG. 1;

FIG. 5 is a rear elevational view of the knife and scissors sharpener of FIG. 1;

FIG. 6 is a left end elevational view of the knife and scissors sharpener of FIG. 1;

FIG. 7 is a right end elevational view of the knife and scissors sharpener of FIG. 1;

FIG. 8 is a front perspective view of the design of FIG. 1, having the upper removable upper cover shown removed;

FIG. 9 is top plan view of the knife and scissors sharpener of FIG. 1;

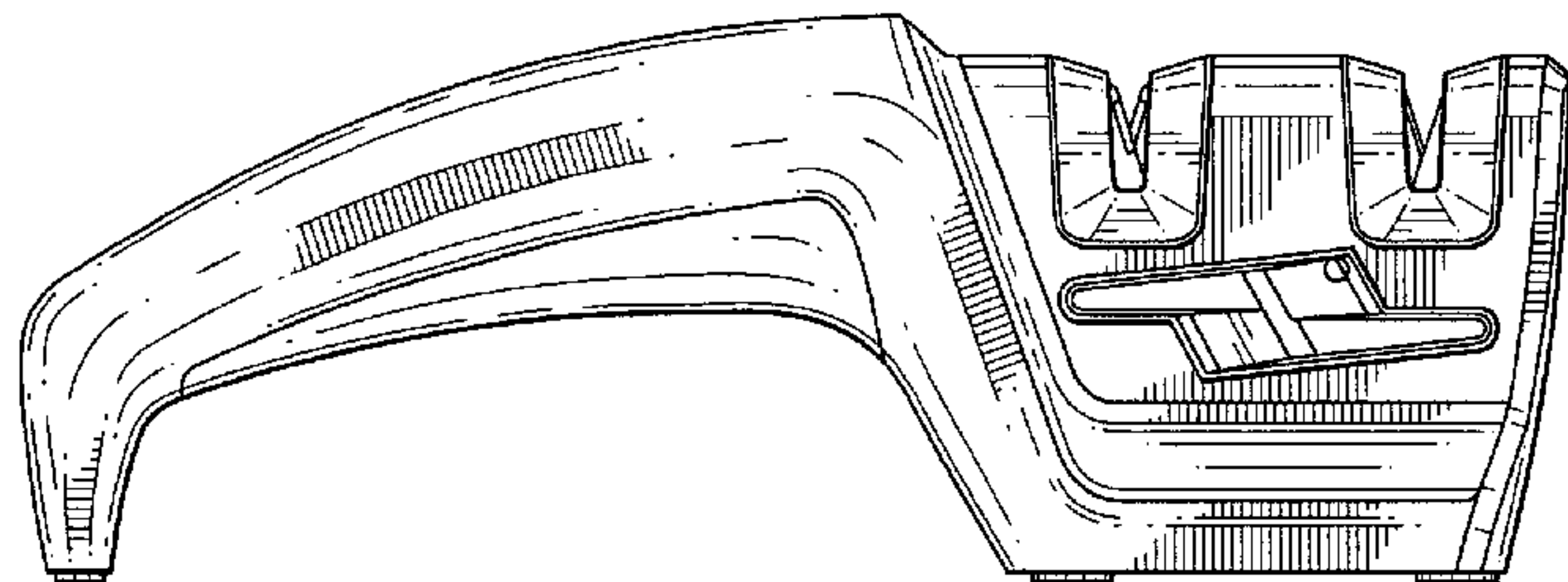
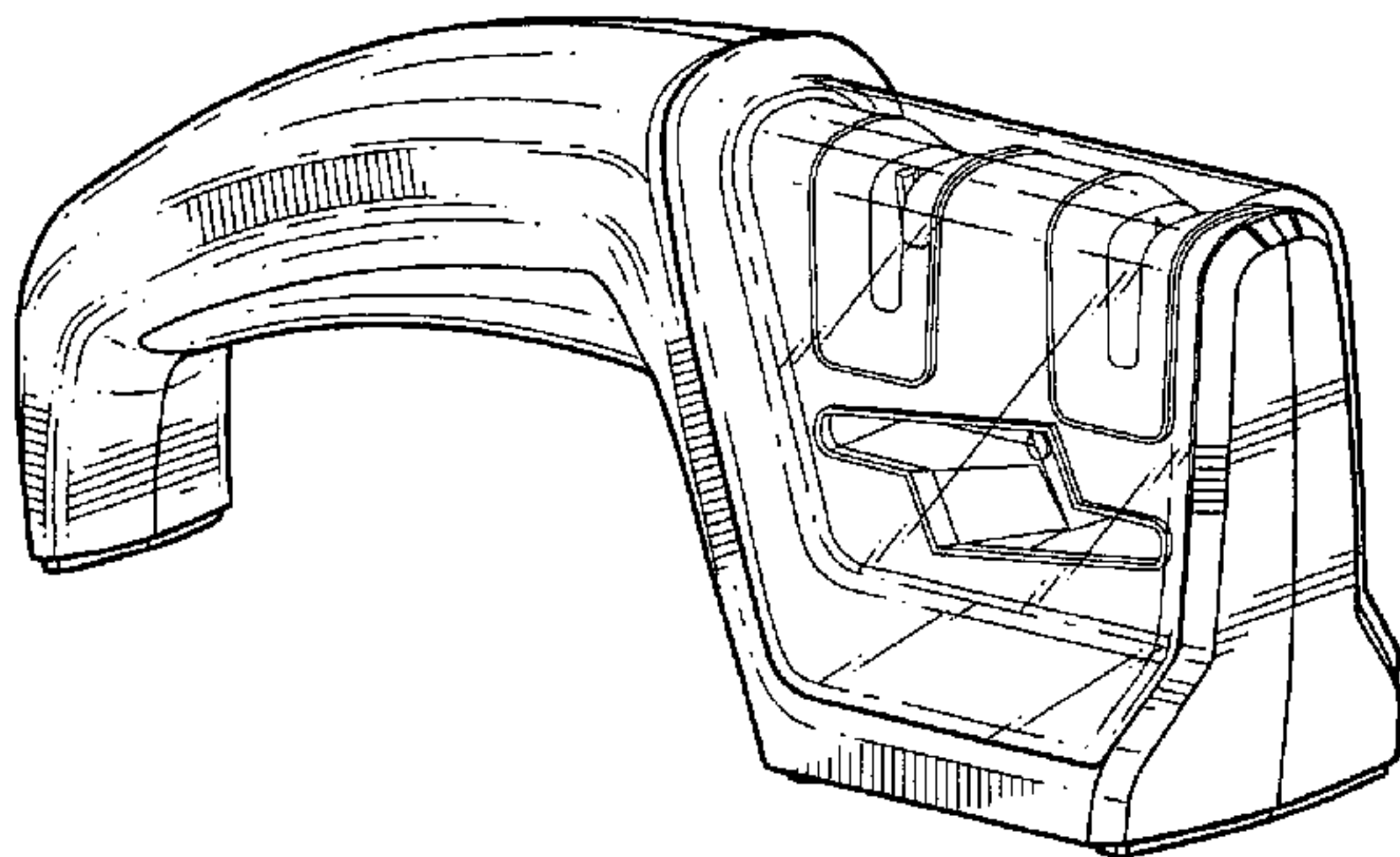
FIG. 10 is a front elevational view of the knife and scissors sharpener of FIG. 8;

FIG. 11 is a rear elevational view of the knife and scissors sharpener of FIG. 8;

FIG. 12 is a left end elevational view of the knife and scissors sharpener of FIG. 8; and,

FIG. 13 is a right end elevational view of the knife and scissors sharpener of FIG. 8.

**1 Claim, 10 Drawing Sheets**



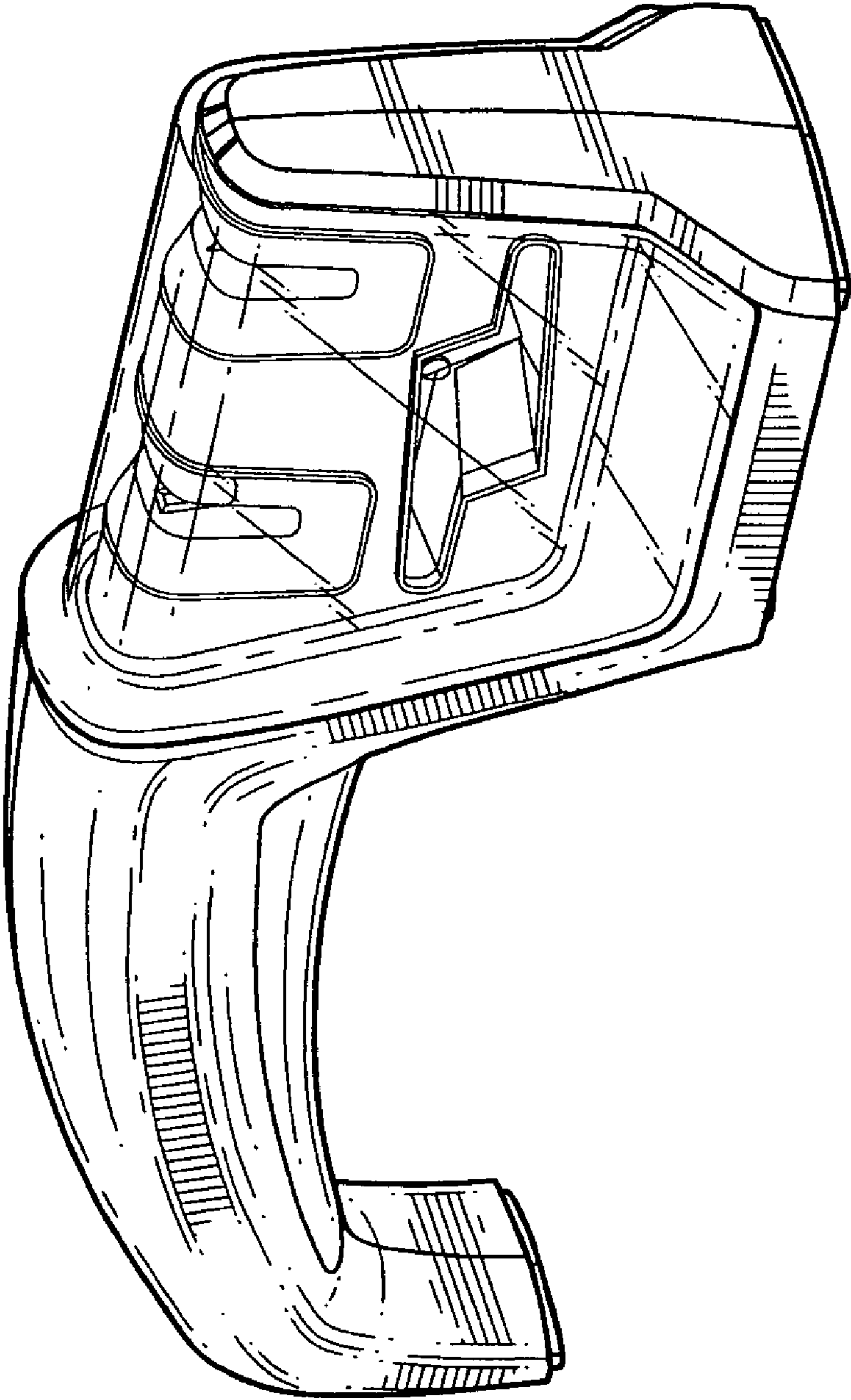


FIG. 1

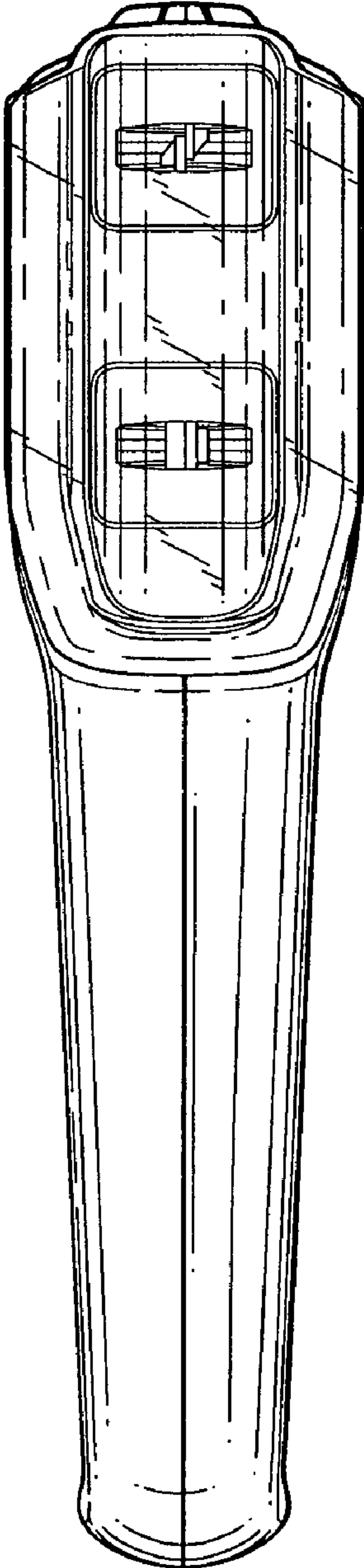


FIG. 2

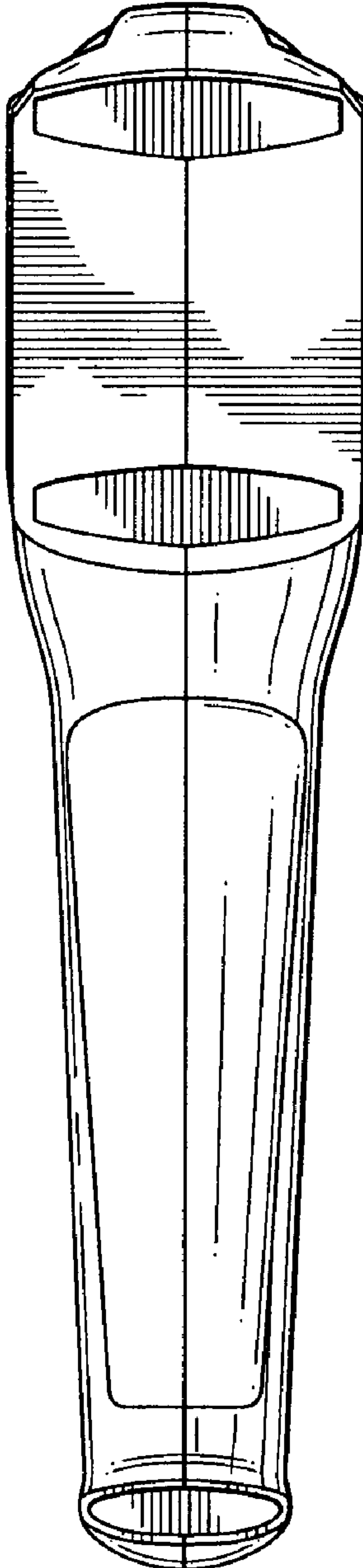


FIG. 3

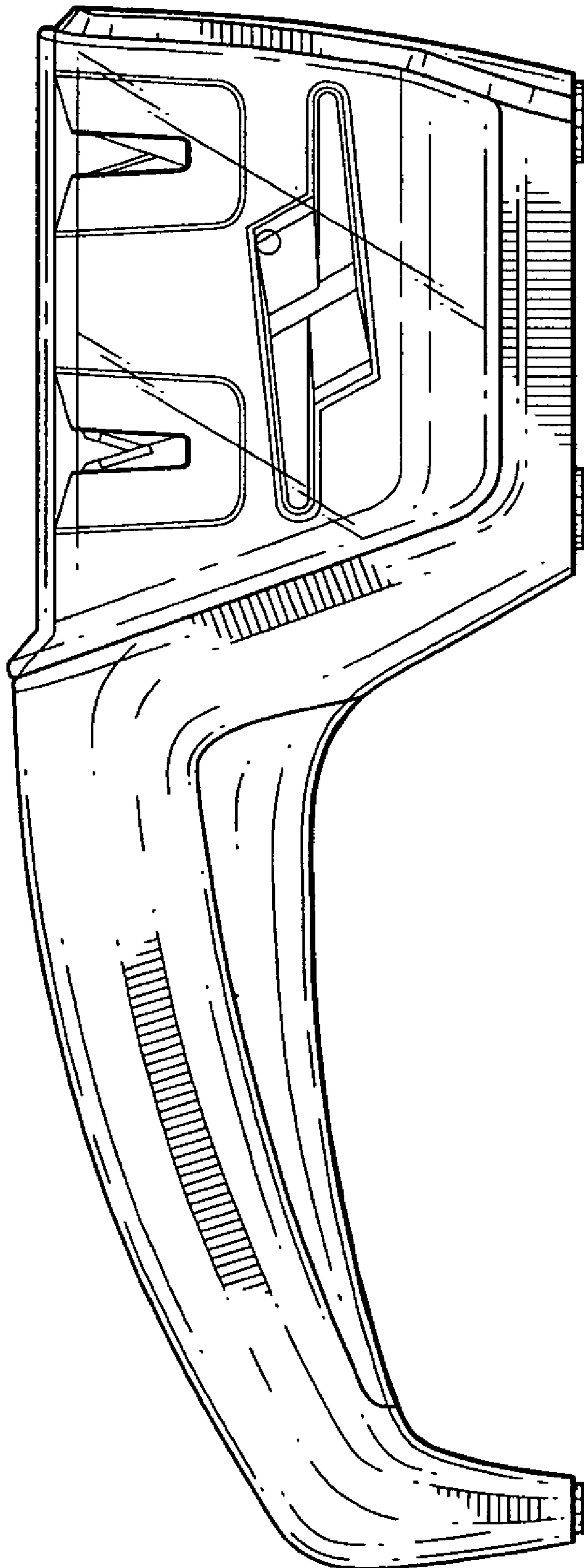


FIG.4



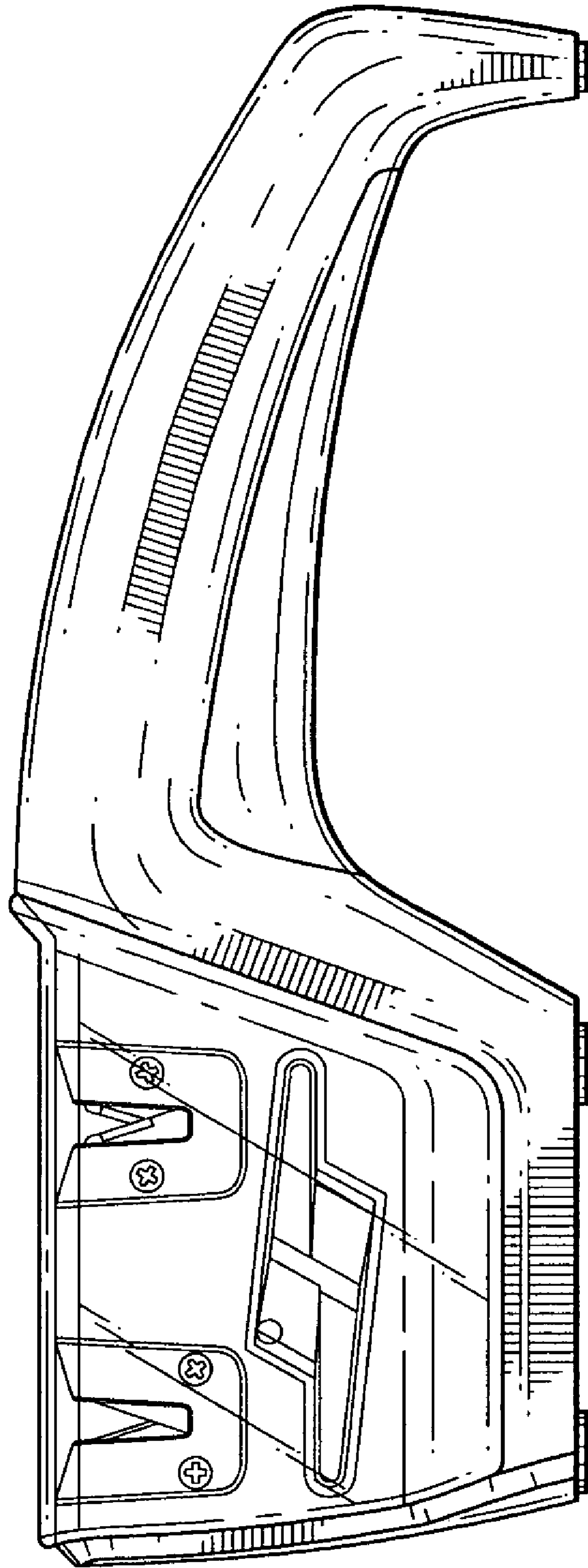


FIG. 5

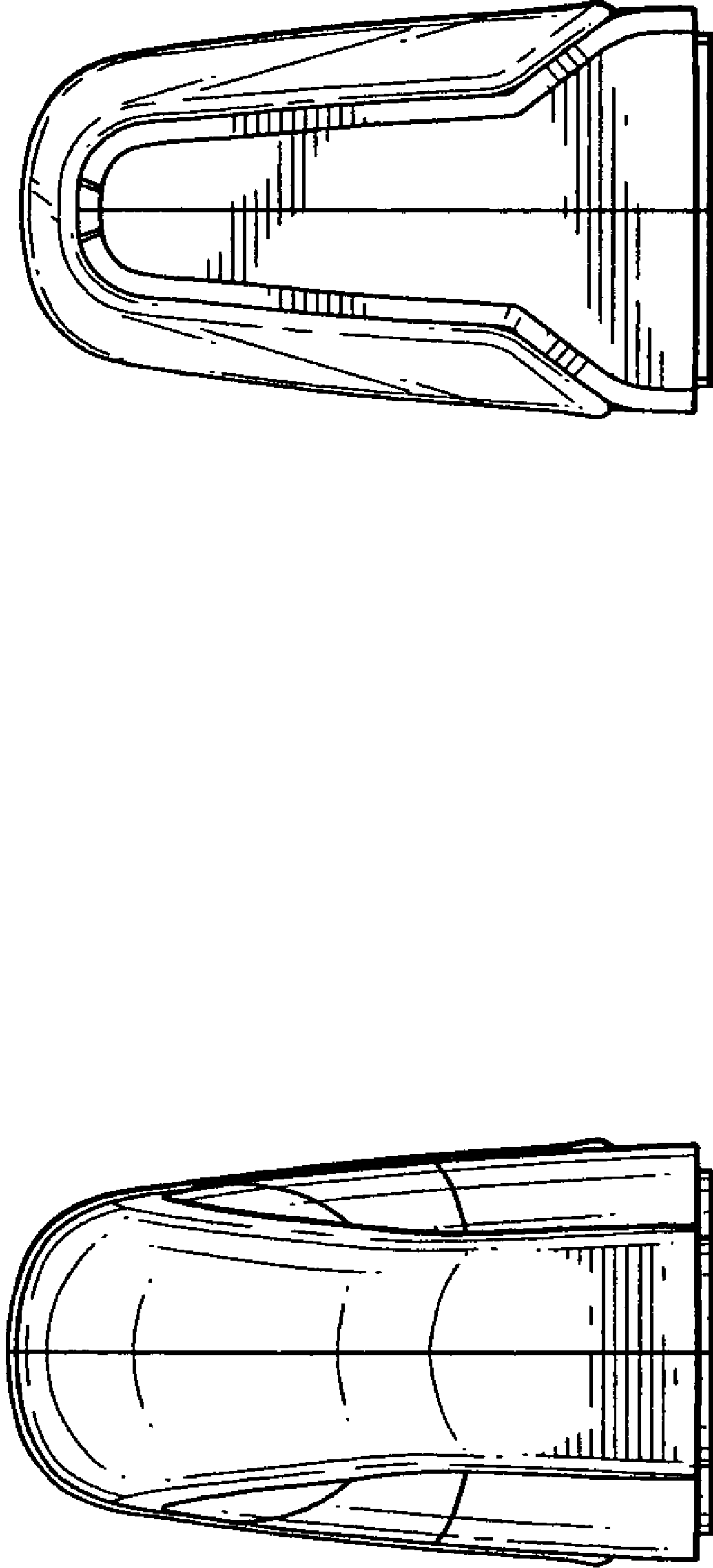


FIG. 6

FIG. 7

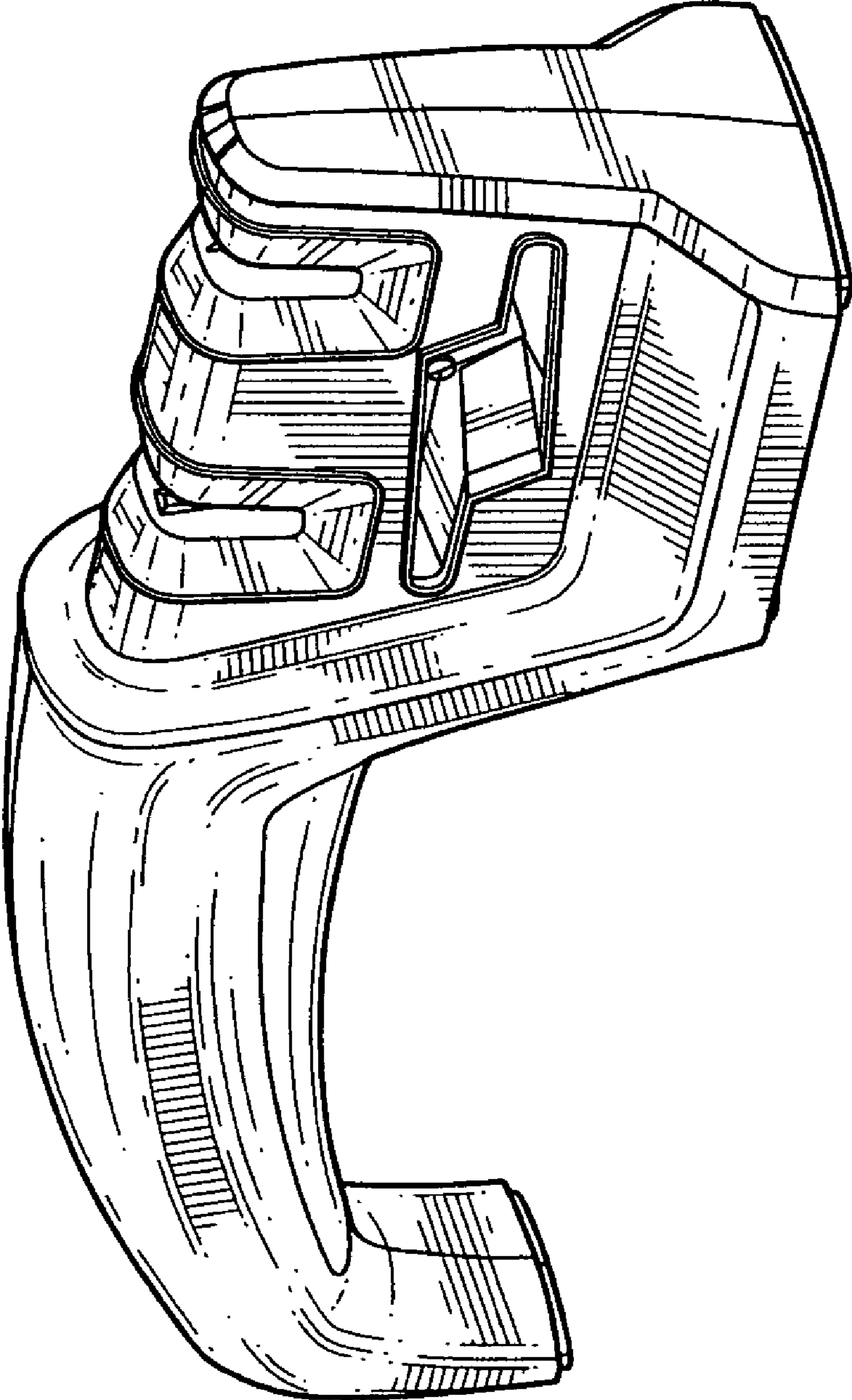


FIG. 8

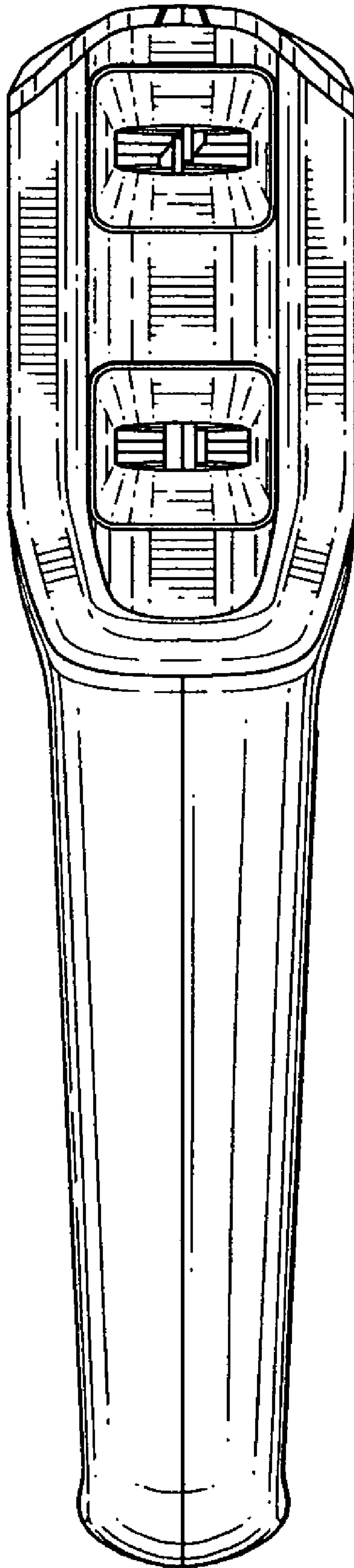


FIG. 9



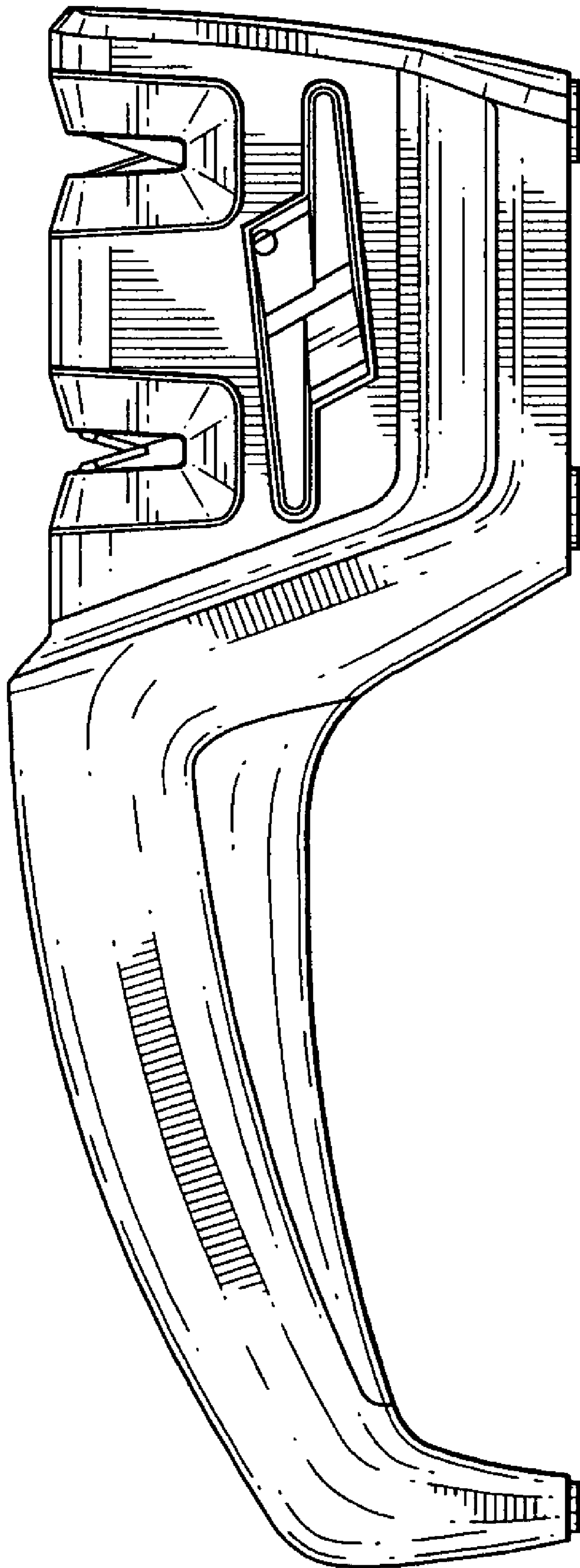


FIG. 10

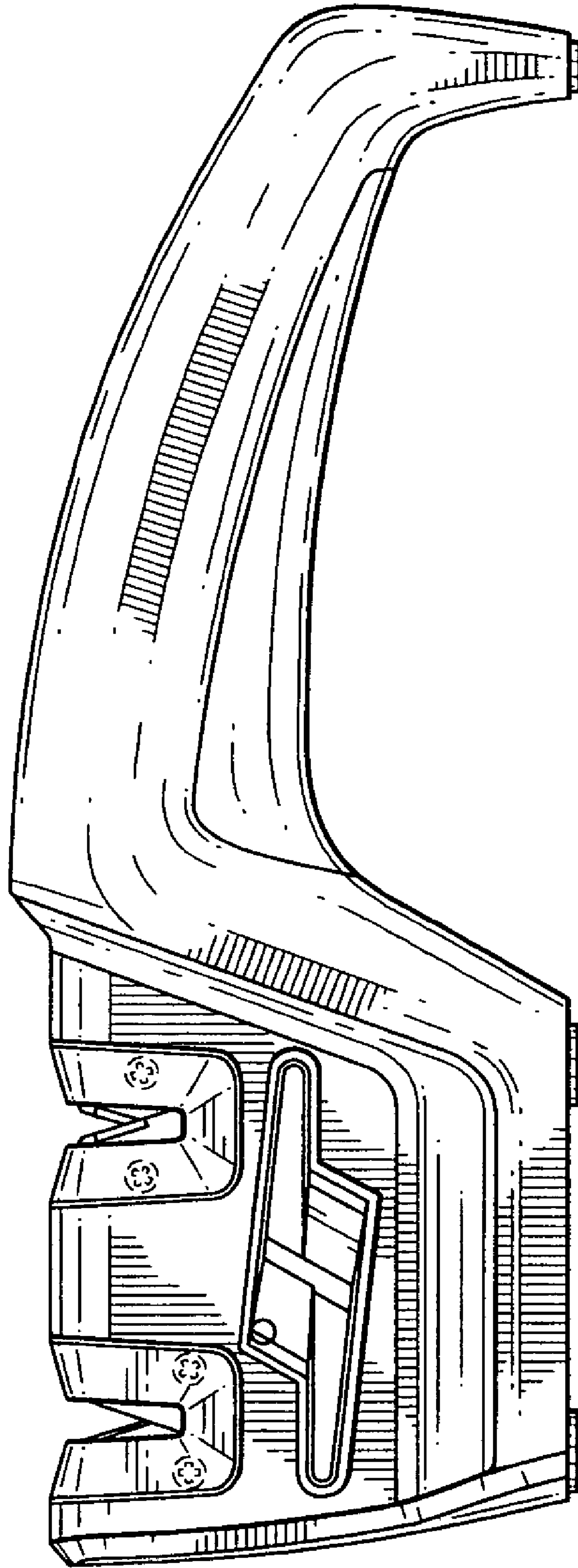


FIG. 11

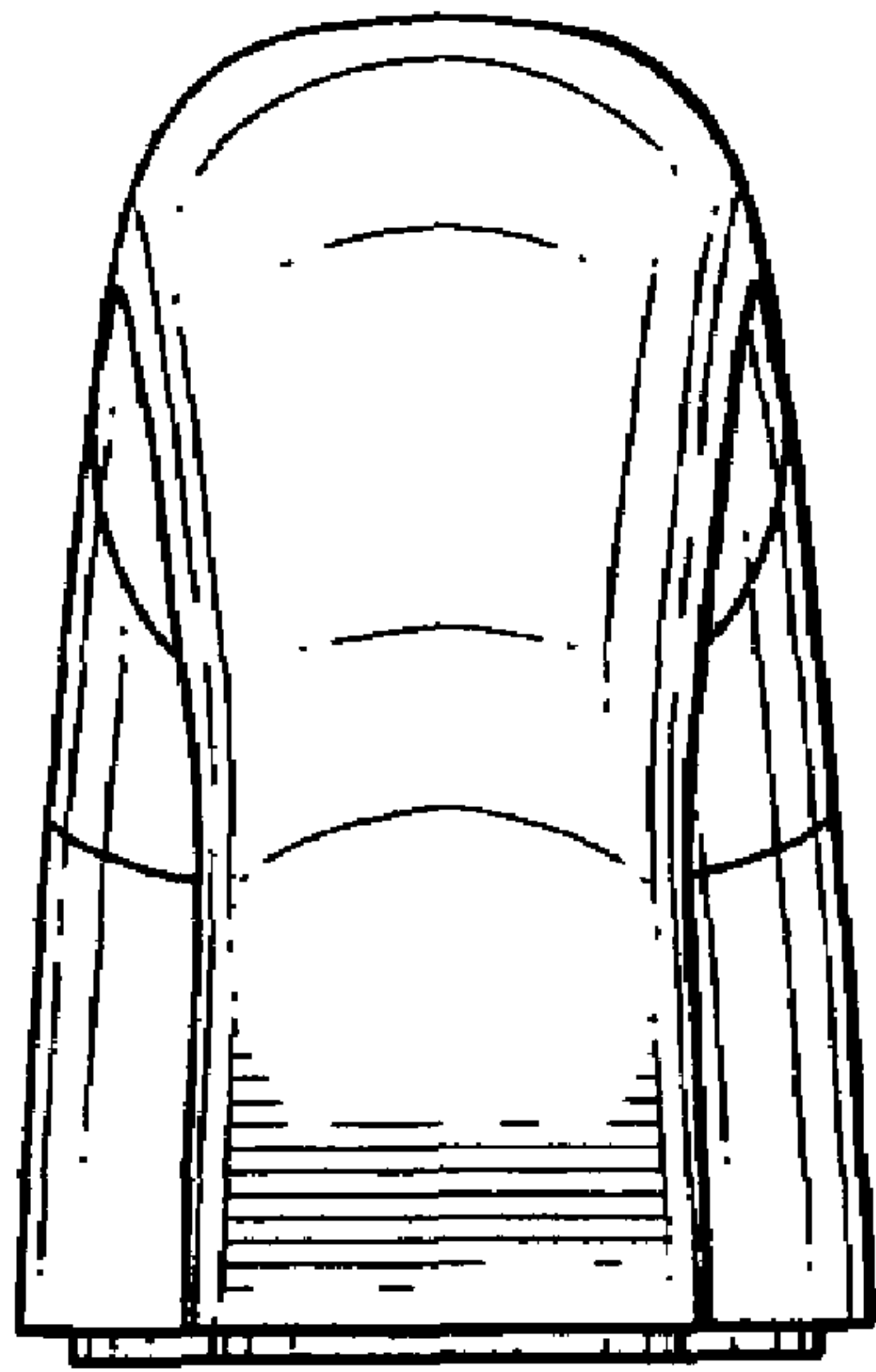


FIG. 12

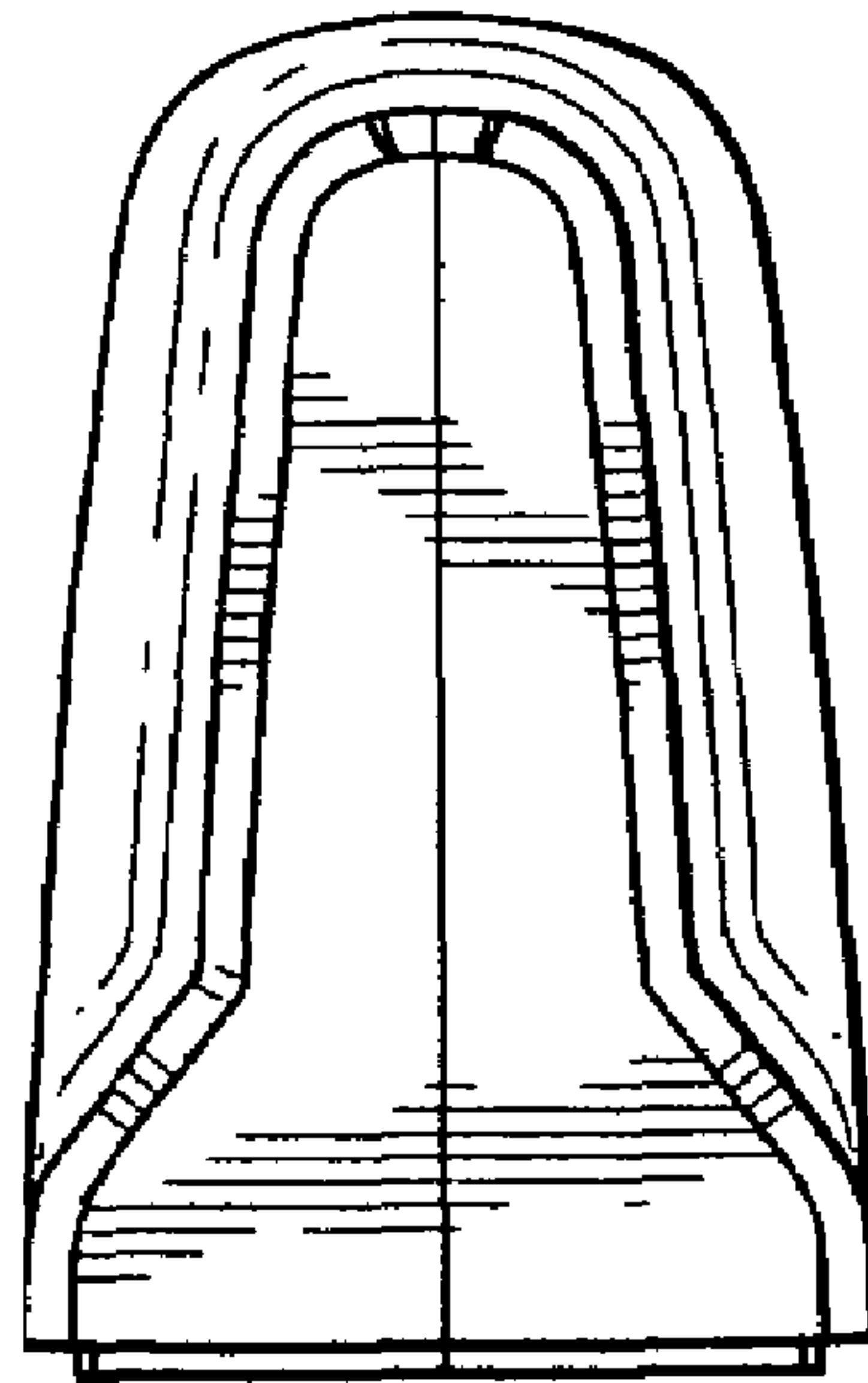


FIG. 13