



US00D604134S

(12) **United States Design Patent**  
**Smith et al.**

(10) **Patent No.:** **US D604,134 S**  
(45) **Date of Patent:** **\*\* Nov. 17, 2009**

(54) **ABRASIVE SHARPENER**

(75) Inventors: **Richard S. Smith**, Hot Springs, AR (US); **Louis Challant**, Hot Springs, AR (US)

(73) Assignee: **Smith Abrasives, Inc.**, Hot Springs, AR (US)

(\*\*) Term: **14 Years**

(21) Appl. No.: **29/313,852**

(22) Filed: **Feb. 13, 2009**

(51) **LOC (9) Cl.** ..... **08-85**

(52) **U.S. Cl.** ..... **D8/63; D8/93**

(58) **Field of Classification Search** ..... D8/93, D8/63, 91, 35, 61, 62, 68, 69; 451/8, 65, 451/45, 344, 293, 282, 177, 193; D19/73  
See application file for complete search history.

(56) **References Cited**

**U.S. PATENT DOCUMENTS**

D289,885 S *	5/1987	Ader .....	D8/63
D308,018 S *	5/1990	Linden et al. ....	D8/93
D309,414 S *	7/1990	Shimizu .....	D8/93
D309,415 S *	7/1990	Shimizu .....	D8/93
D331,688 S *	12/1992	Busse .....	D8/63
D342,003 S *	12/1993	Friel et al. ....	D8/63
D357,395 S *	4/1995	Friel .....	D8/93
D473,777 S *	4/2003	Thompson et al. ....	D8/93
D519,815 S *	5/2006	Friel et al. ....	D8/91
D525,509 S *	7/2006	Weschenfelder .....	D8/93
D526,876 S *	8/2006	Smith .....	D8/93
D587,088 S *	2/2009	Smith .....	D8/93

D587,550 S \* 3/2009 Smith ..... D8/93

\* cited by examiner

*Primary Examiner*—Cathron C Brooks

*Assistant Examiner*—Austin Murphy

(74) *Attorney, Agent, or Firm*—Edward D. Gilhooly

(57) **CLAIM**

The ornamental design for an abrasive sharpener, as shown and described.

**DESCRIPTION**

FIG. 1 is a front perspective view of the abrasive sharpener of the design of the invention;

FIG. 2 is a right end elevational view of the abrasive sharpener of FIG. 1;

FIG. 3 is a rear elevational view of the abrasive sharpener of FIG. 1;

FIG. 4 is a left end elevational view of the abrasive sharpener of FIG. 1;

FIG. 5 is a front elevational view of the abrasive sharpener of FIG. 1;

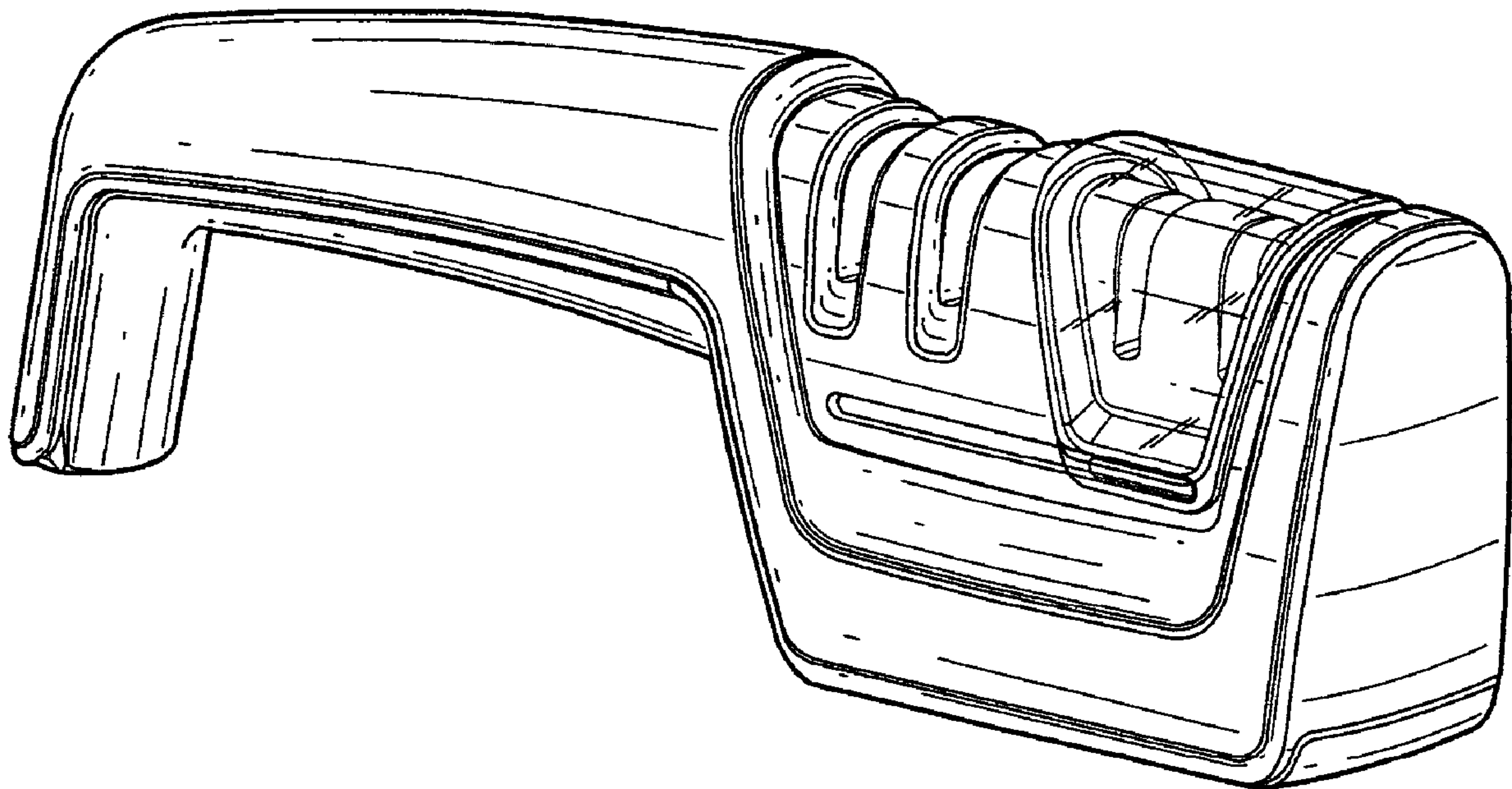
FIG. 6 is a front elevational view of the abrasive sharpener of FIG. 1 with the moveable cover of FIG. 1 in its opposite position;

FIG. 7 is a top plan view of the abrasive sharpener of FIG. 1; and,

FIG. 8 is a bottom plan view of the abrasive sharpener of FIG. 1.

The broken lines shown in FIG. 3 represent unclaimed portions of the abrasive sharpener and form no part of the claimed design.

**1 Claim, 4 Drawing Sheets**



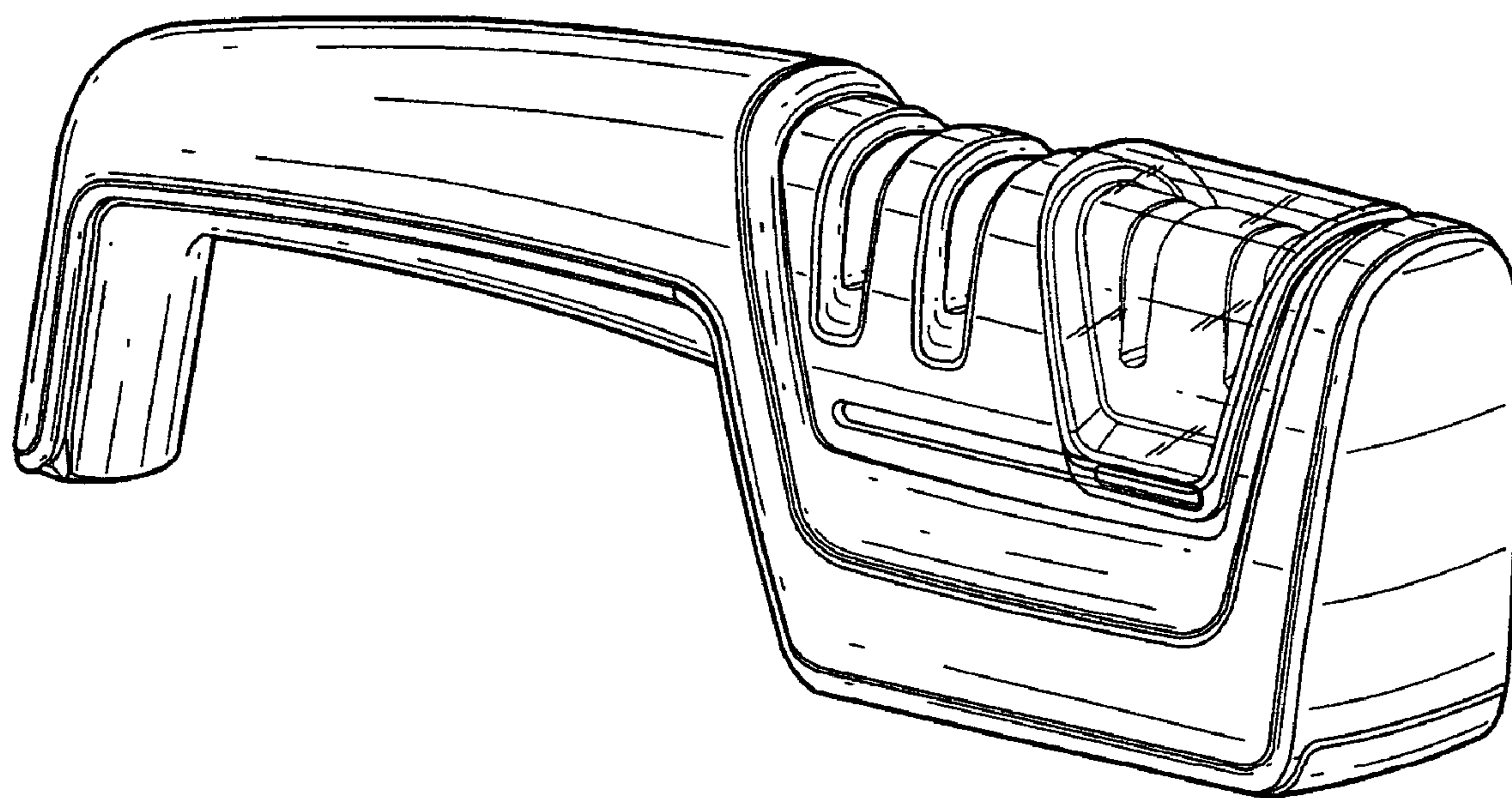


FIG. 1

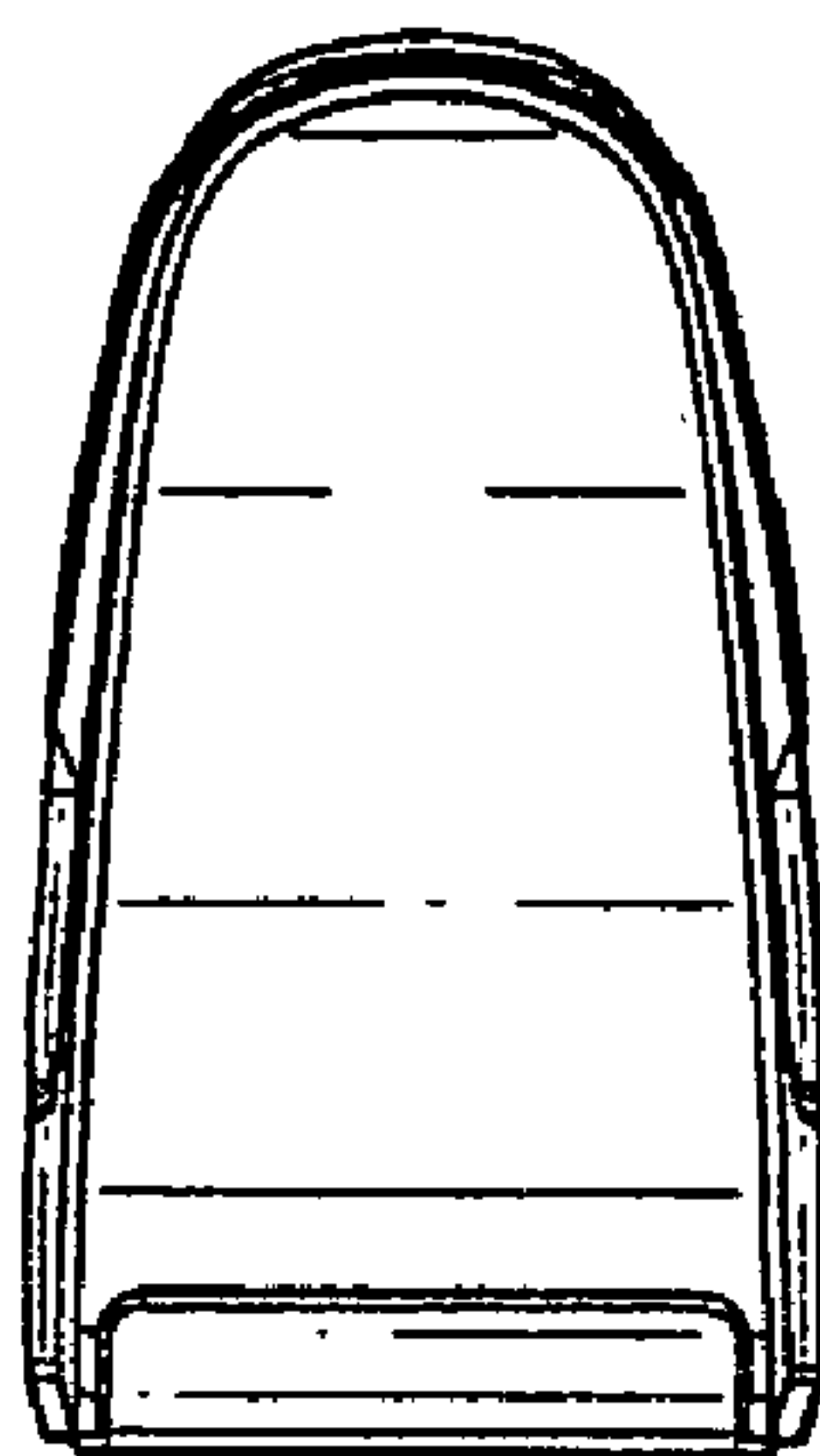


FIG. 2

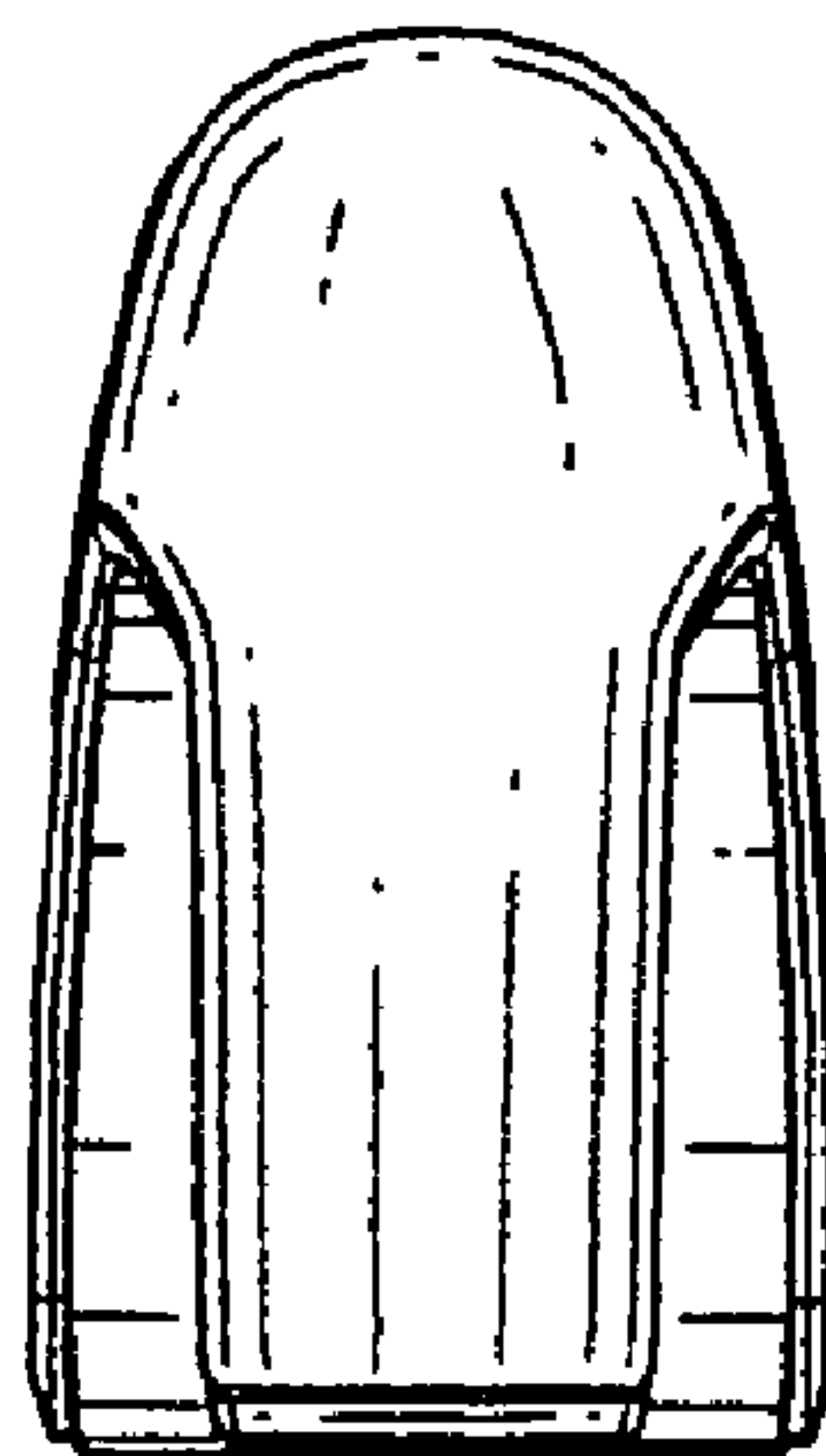


FIG. 4

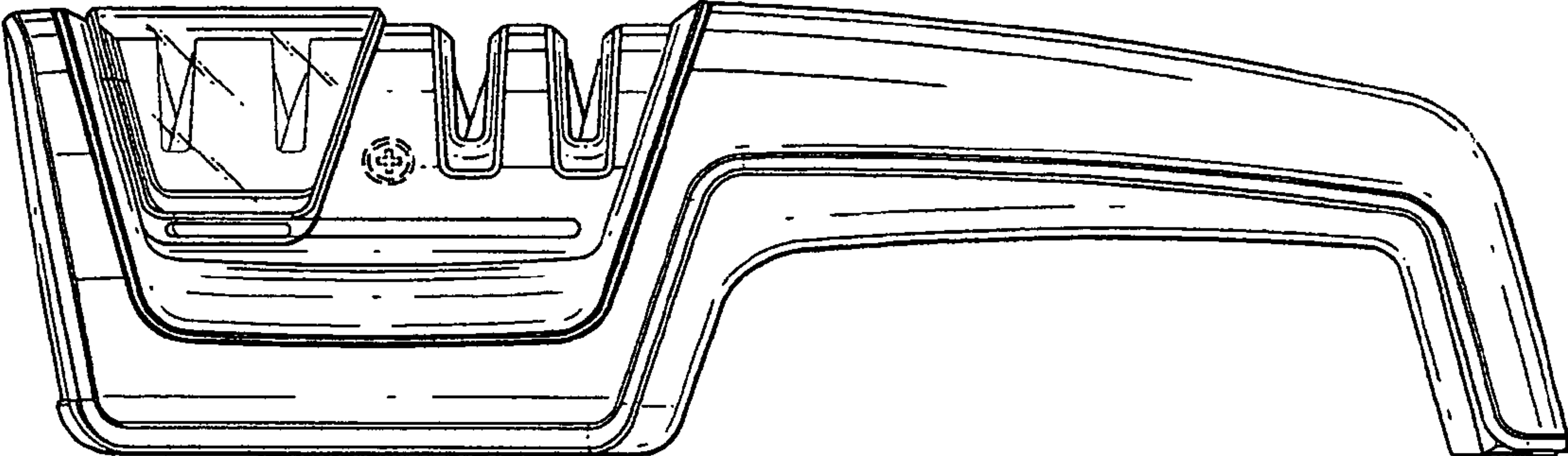


FIG. 3

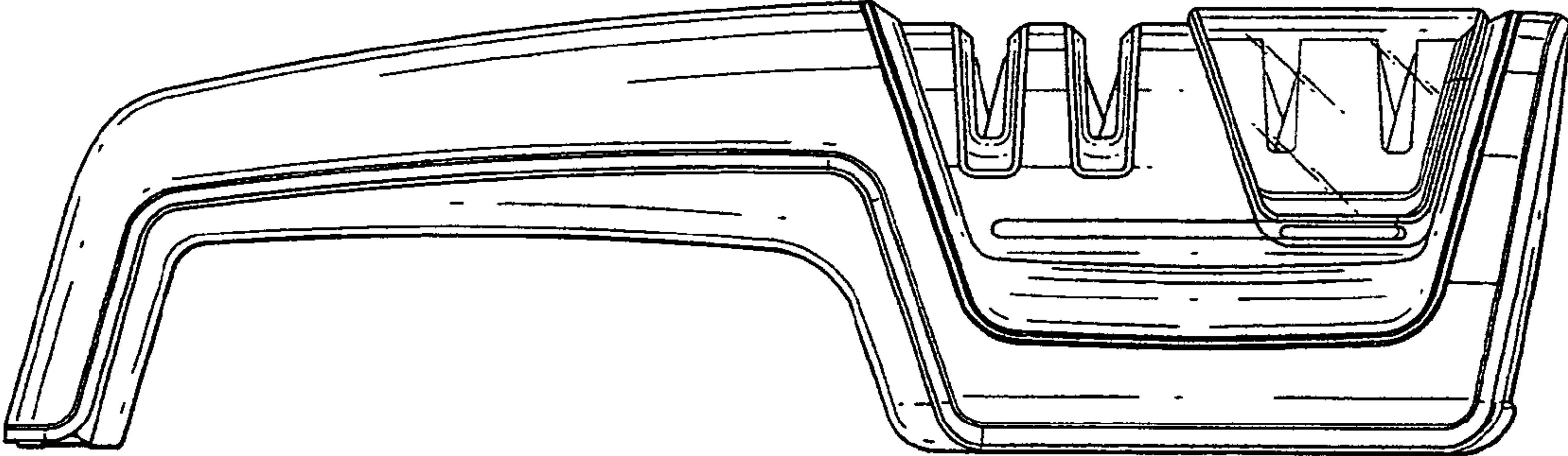


FIG. 5

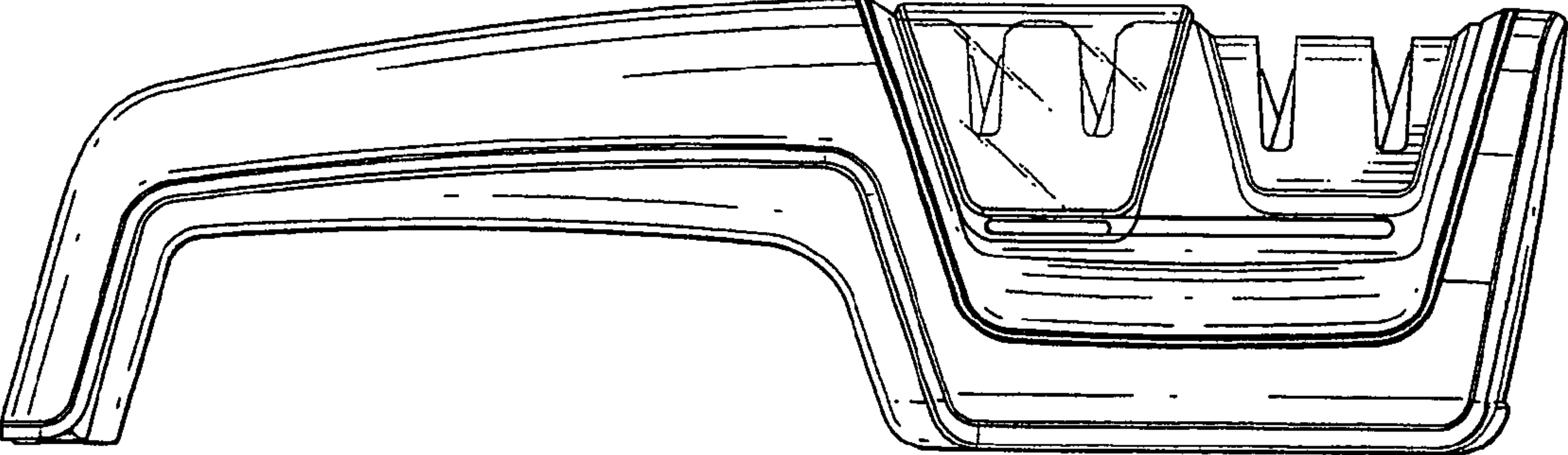


FIG. 6



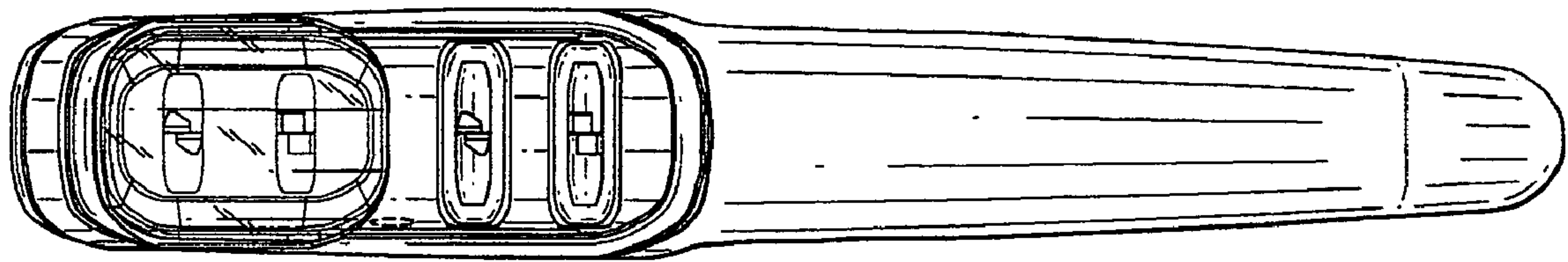


FIG. 7

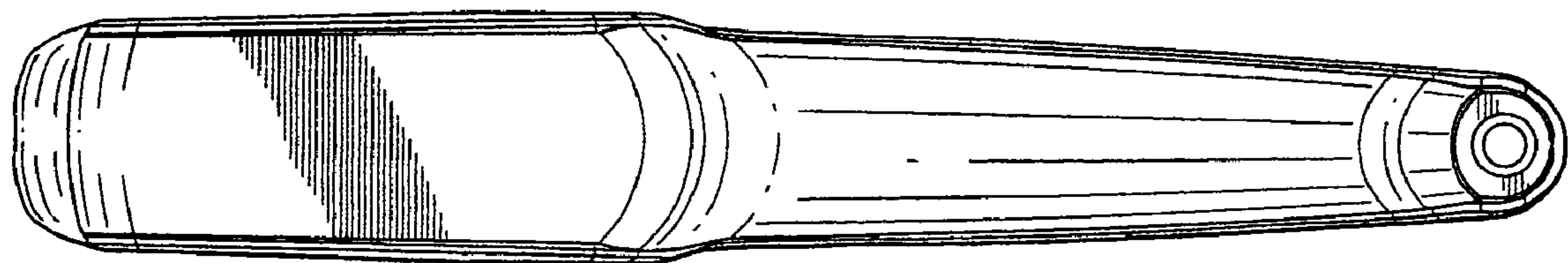


FIG. 8