

US00D604133S

(12) **United States Design Patent**
Smith

(10) **Patent No.:** **US D604,133 S**

(45) **Date of Patent:** **** Nov. 17, 2009**

(54) **ELECTRIC SHARPENER**

2007/0026768 A1* 2/2007 Da Batista 451/8

(75) Inventor: **Richard S. Smith**, Hot Springs, AR
(US)

* cited by examiner

Primary Examiner—Cathron C Brooks

Assistant Examiner—Austin Murphy

(73) Assignee: **Smith Abrasives, Inc.**, Hot Springs, AR
(US)

(74) *Attorney, Agent, or Firm*—Edward D. Gilhooly

(**) Term: **14 Years**

(57) **CLAIM**

(21) Appl. No.: **29/310,986**

The ornamental design for electric sharpener, as shown and described.

(22) Filed: **Sep. 24, 2008**

DESCRIPTION

(51) **LOC (9) Cl.** **08-85**

FIG. 1 is a front perspective view of the ornamental design for electric sharpener of the invention;

(52) **U.S. Cl.** **D8/63**

FIG. 2 is a front elevational end view of ornamental design for electric sharpener of FIG. 1;

(58) **Field of Classification Search** D8/63,
D8/91, 93; 451/163, 193, 241, 259, 267,
451/282, 293; 76/82

FIG. 3 is a front elevational right end view, viewing FIG. 1, of the ornamental design for electric sharpener of FIG. 1;

See application file for complete search history.

FIG. 4 is a front elevational left end view, viewing FIG. 1, of the ornamental design for electric sharpener of FIG. 1;

(56) **References Cited**

FIG. 5 is a rear elevational view of the ornamental design for electric sharpener of FIG. 1;

U.S. PATENT DOCUMENTS

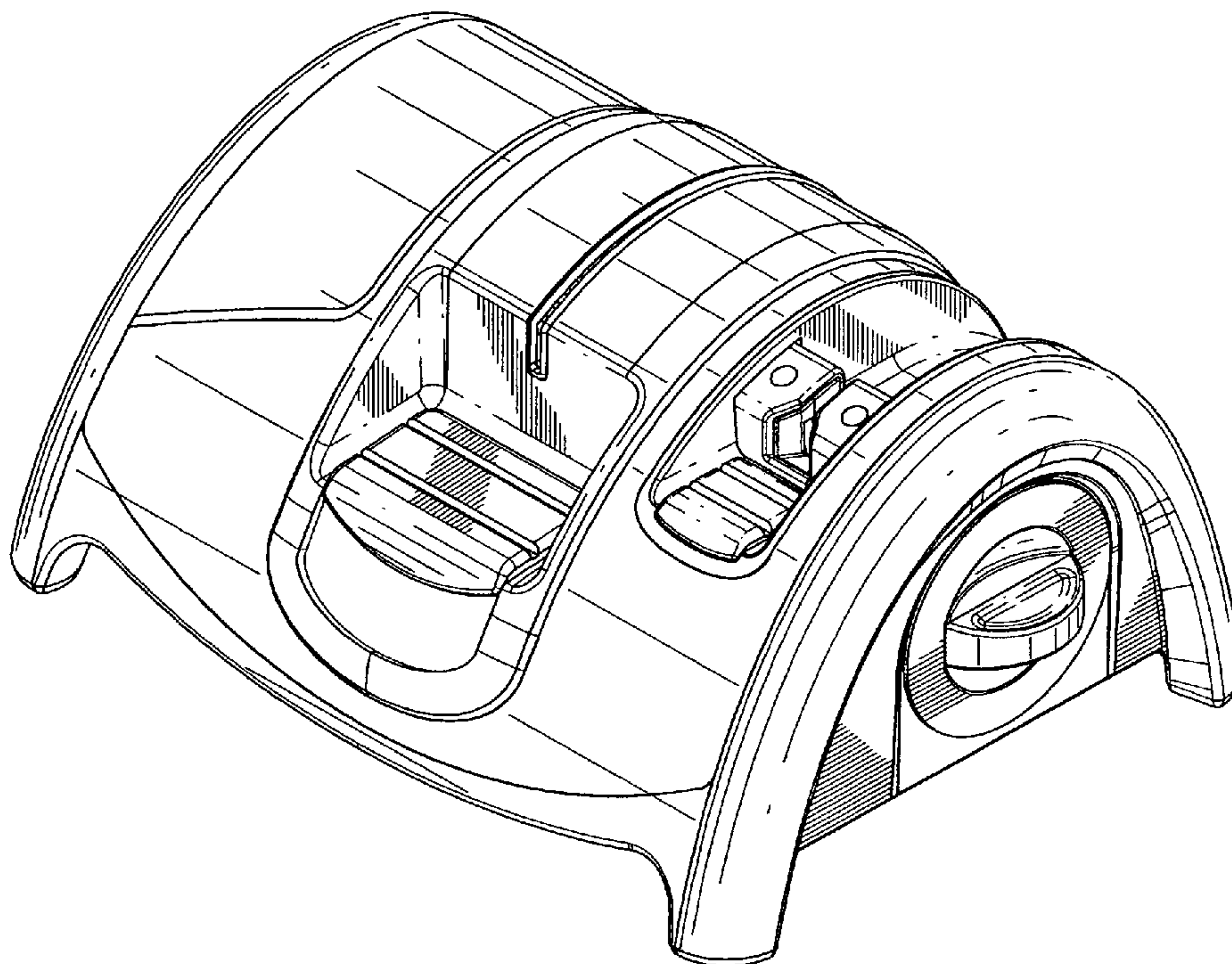
- 2,841,926 A * 7/1958 Lebus 451/65
- D185,556 S * 6/1959 Madl D8/63
- D491,783 S * 6/2004 Ikegaki et al. D8/63
- D523,717 S * 6/2006 Guo et al. D8/63
- D540,871 S * 4/2007 Sandy et al. D19/69
- D542,616 S * 5/2007 Elek et al. D8/63
- D543,430 S * 5/2007 Barr et al. D8/63
- D575,125 S * 8/2008 Smith D8/63

FIG. 6 is a top plan view of the ornamental design for electric sharpener of FIG. 1; and,

FIG. 7 is a bottom plan view of the ornamental design for electric sharpener of FIG. 1.

The broken line structure shown in FIGS. 3, 4, and 7 forms no parts of the claimed design.

1 Claim, 4 Drawing Sheets



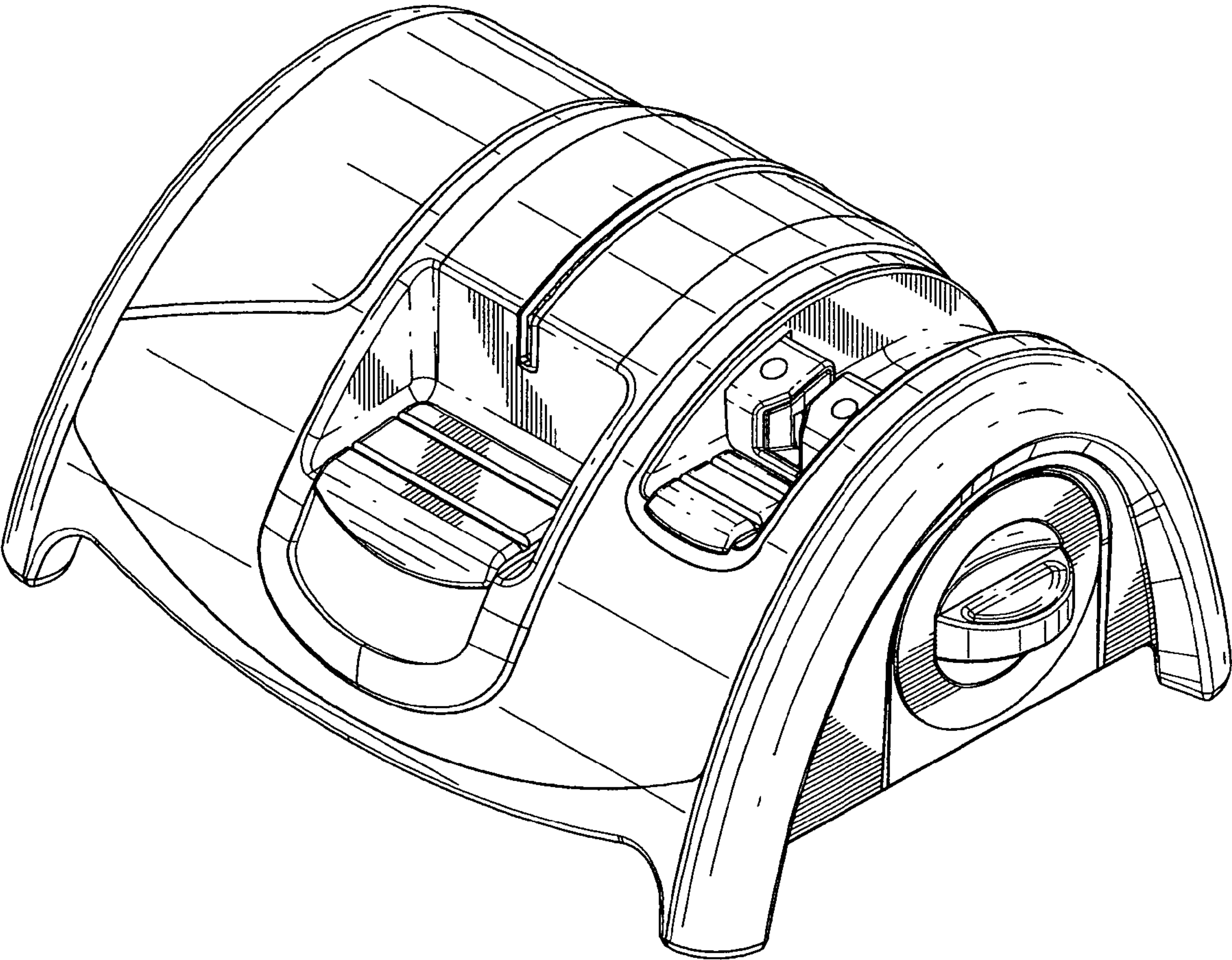


FIG. 1

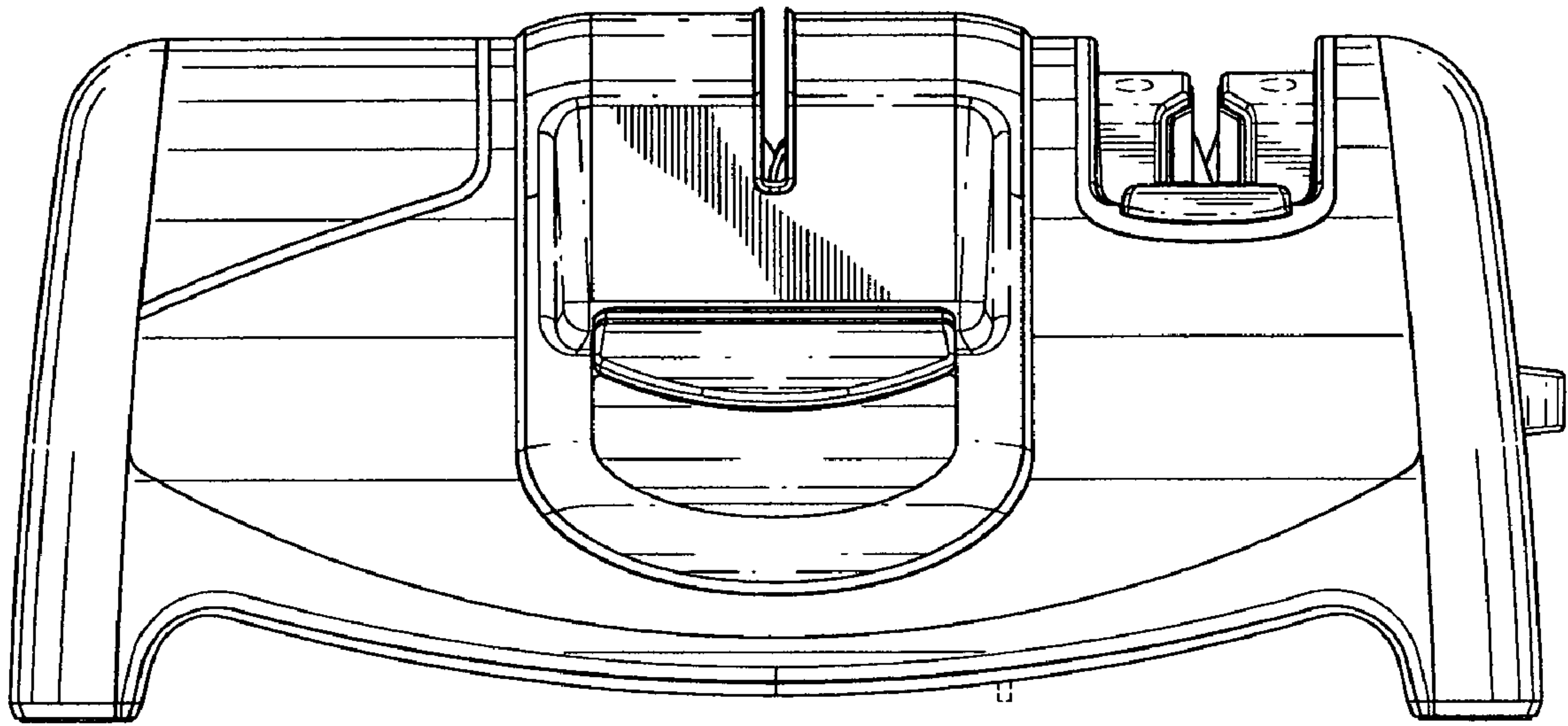


FIG. 2

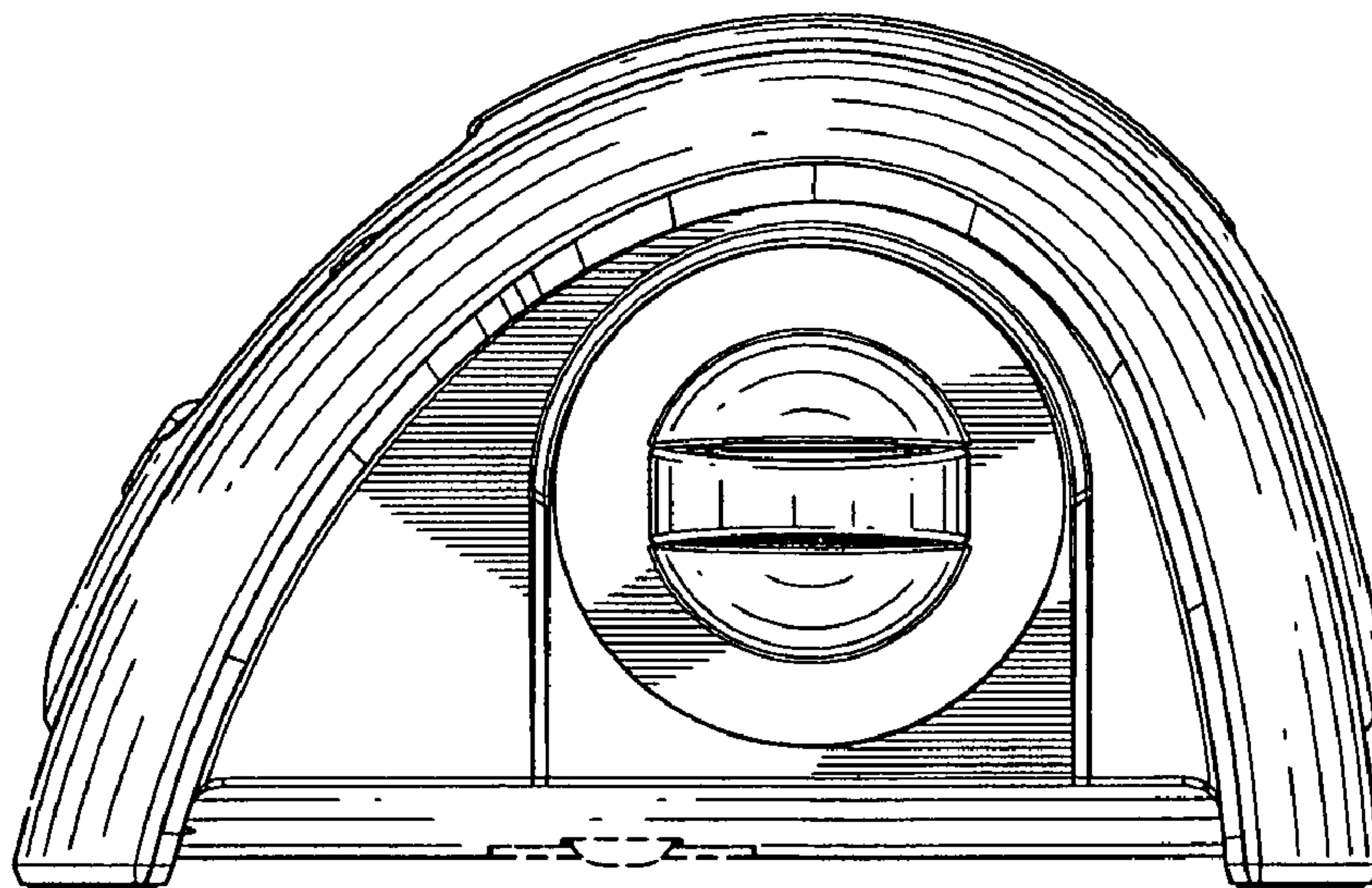


FIG. 3

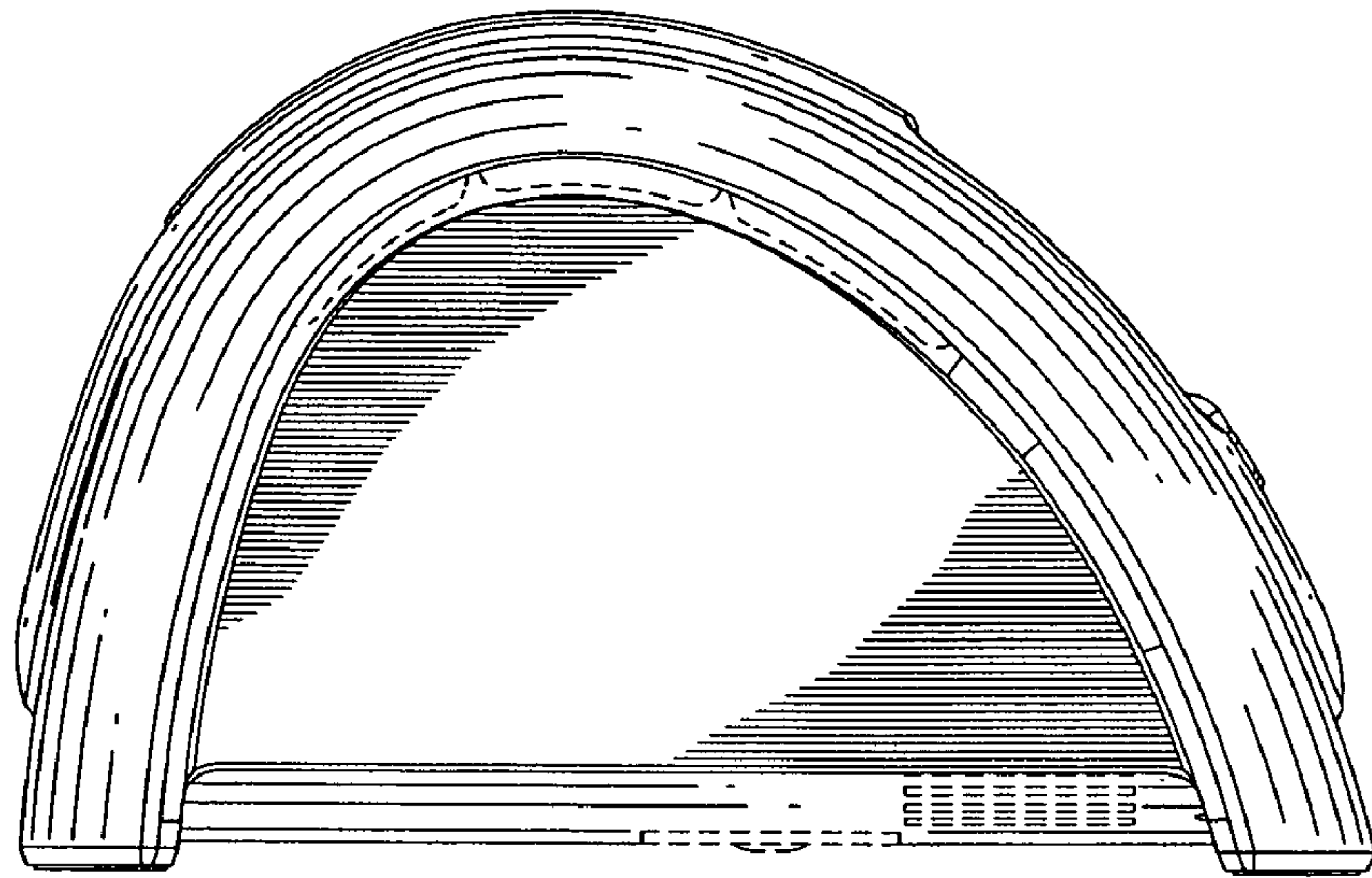


FIG. 4

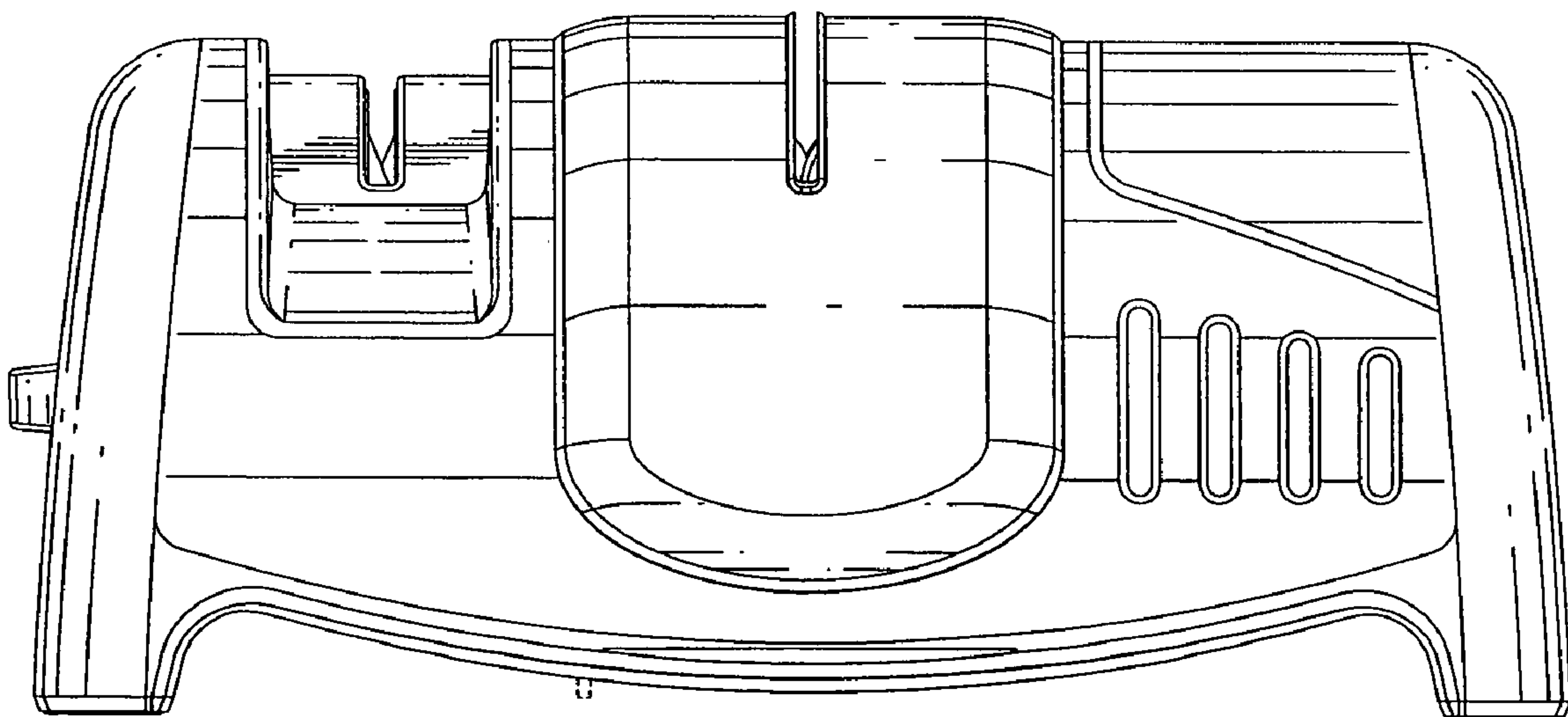


FIG. 5

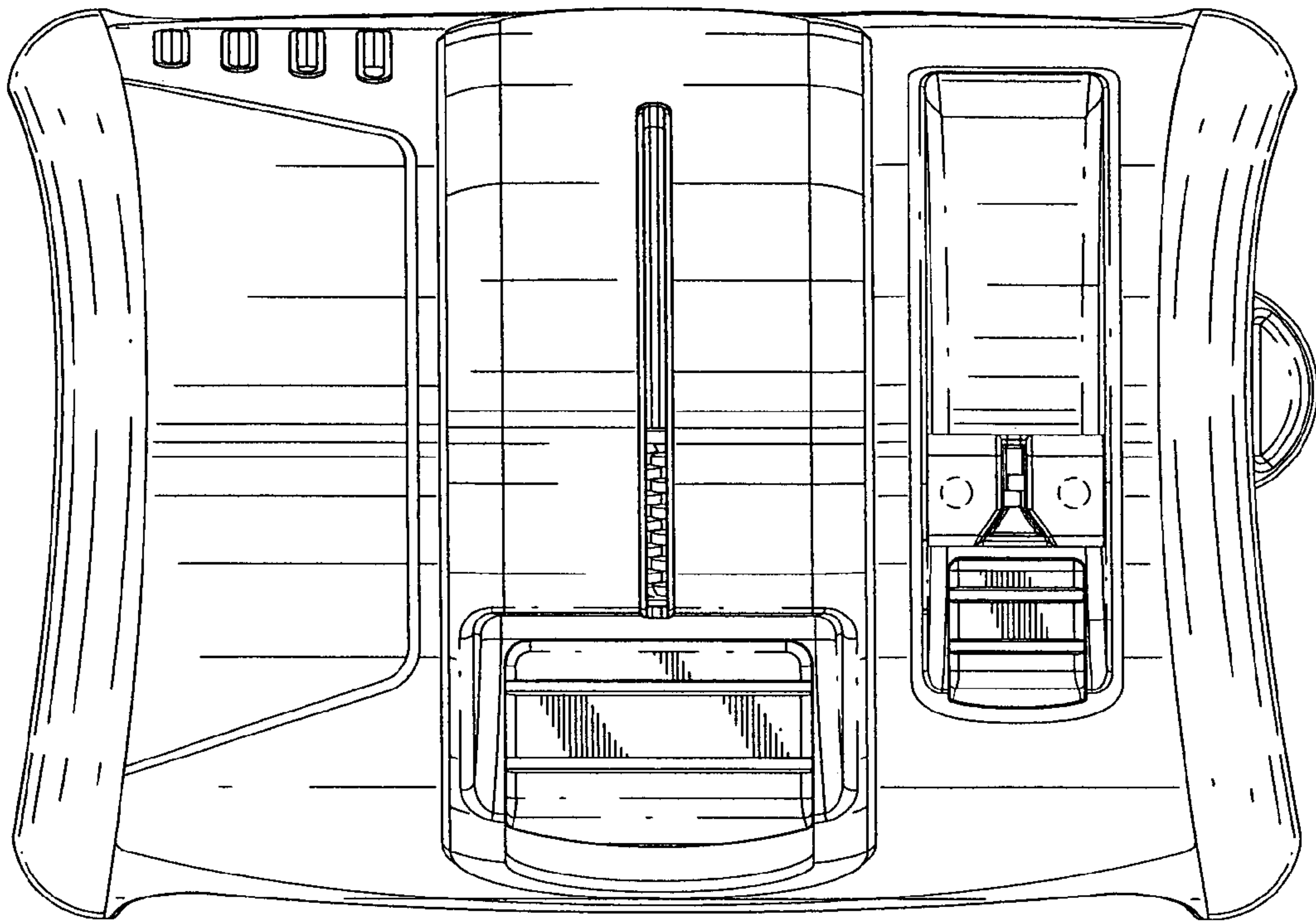


FIG. 6

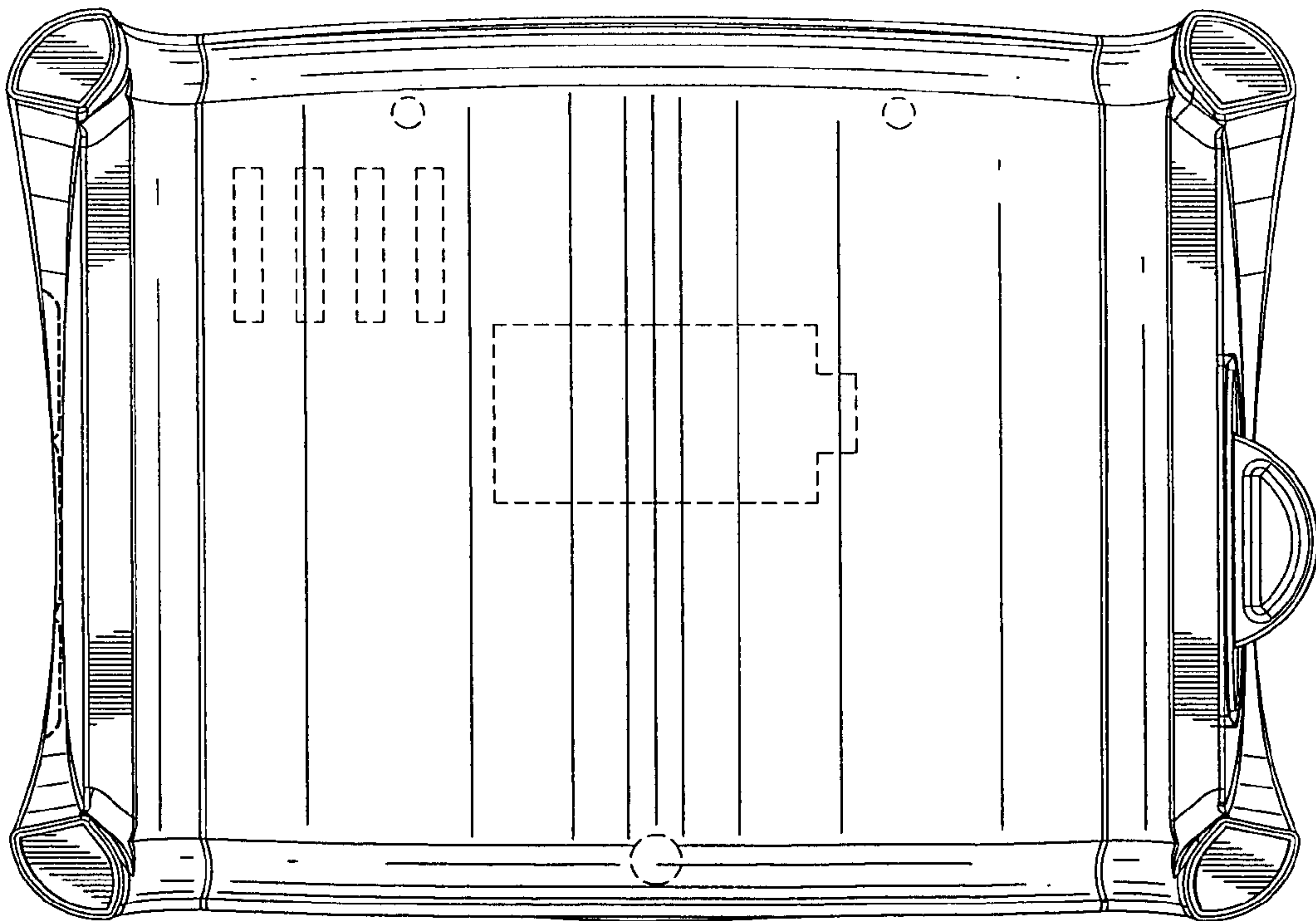


FIG. 7