



US00D604132S

(12) **United States Design Patent**
Satoh et al.

(10) **Patent No.:** **US D604,132 S**

(45) **Date of Patent:** **** Nov. 17, 2009**

(54) **STAPLER**

(75) Inventors: **Masatoshi Satoh**, Tomi (JP); **Shinya Sakashita**, Tomi (JP)

(73) Assignee: **Alpha Design Co., Ltd.**, Tomi (JP)

(**) Term: **14 Years**

(21) Appl. No.: **29/300,611**

(22) Filed: **Apr. 18, 2008**

(51) **LOC (9) Cl.** **19-02**

(52) **U.S. Cl.** **D8/49**

(58) **Field of Classification Search** D8/49,
D8/50, 61, 68, 69; D19/72, 73, 65, 69; D21/532;
D24/145; 7/158, 160; 227/4, 5, 6, 7, 8, 120,
227/127, 128, 131, 132, 134, 144, 156, 175.1;
606/139, 143, 153, 219

See application file for complete search history.

(56) **References Cited**

U.S. PATENT DOCUMENTS

D170,423 S *	9/1953	Marano	D8/50
D232,804 S *	9/1974	Power	D8/50
D233,306 S *	10/1974	Power	D8/50
D292,962 S *	12/1987	Leszczak	D8/50
D296,071 S *	6/1988	Chi	D8/49
D340,847 S *	11/1993	Bain et al.	D8/50
D361,025 S *	8/1995	Ho	D8/50
D387,646 S *	12/1997	Arns	D8/50
D436,009 S *	1/2001	Chi Kuo	D8/50

D446,430 S *	8/2001	Arns	D8/50
D531,471 S *	11/2006	Kent et al.	D8/50
D557,092 S *	12/2007	Harris et al.	D8/50
D572,549 S *	7/2008	Sudmalis et al.	D8/50
2001/0017310 A1 *	8/2001	Laurie	227/63

* cited by examiner

Primary Examiner—Cathron C Brooks

Assistant Examiner—Austin Murphy

(74) *Attorney, Agent, or Firm*—Orion Consulting, Ltd.;
Joseph P. Farrar

(57) **CLAIM**

We claim the ornamental design for a stapler, as shown and described.

DESCRIPTION

FIG. 1 is a front elevational view of a stapler showing our new design;

FIG. 2 is a rear elevational view thereof;

FIG. 3 is a right side elevational view thereof;

FIG. 4 is a left side elevational view thereof;

FIG. 5 is a top plan view thereof;

FIG. 6 is a bottom plan view thereof; and,

FIG. 7 is a right rear perspective view thereof.

The portions of the stapler shown in broken lines are for illustrative purposes only and form no part of the claimed design.

1 Claim, 7 Drawing Sheets

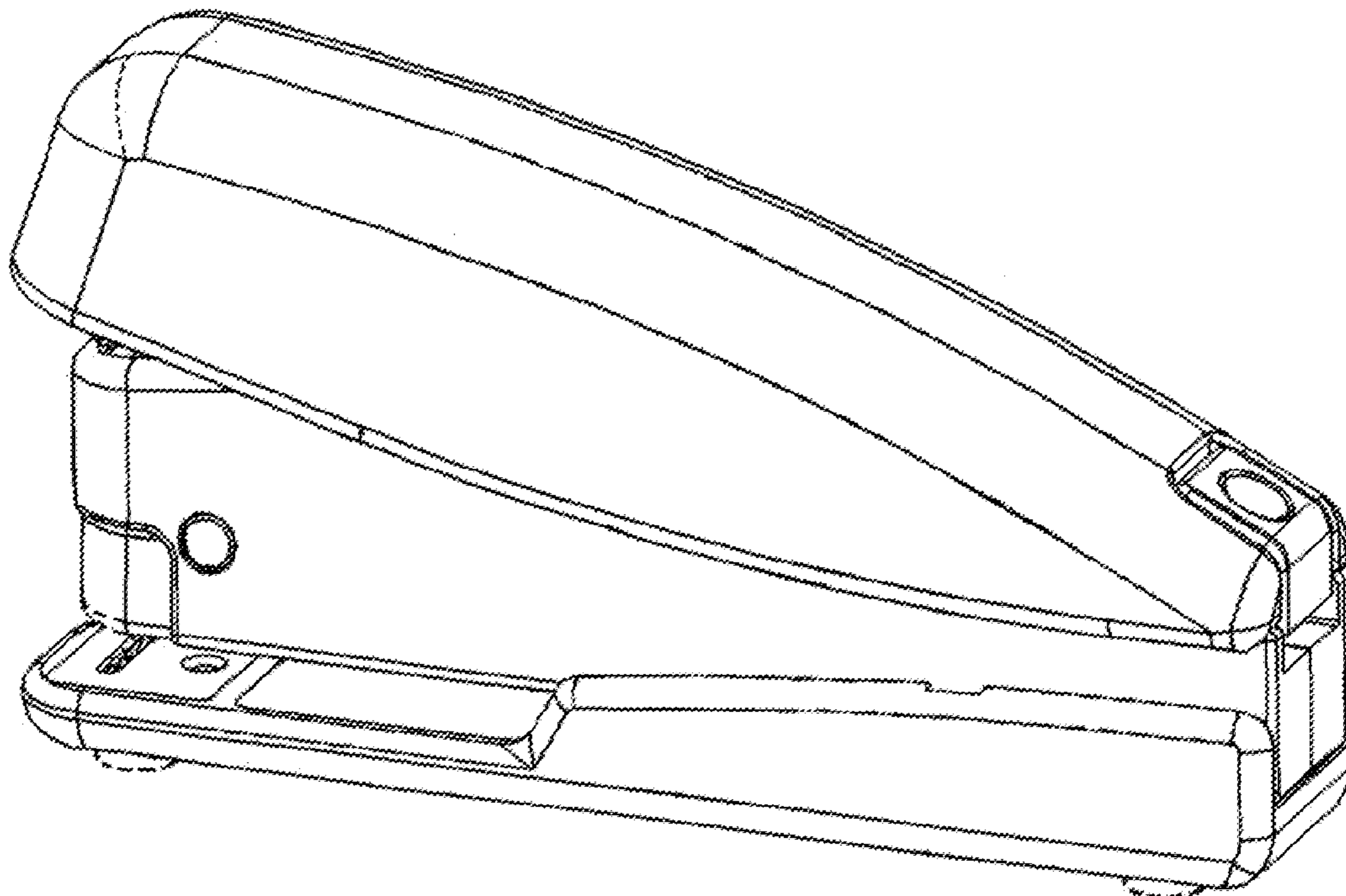


FIG.1

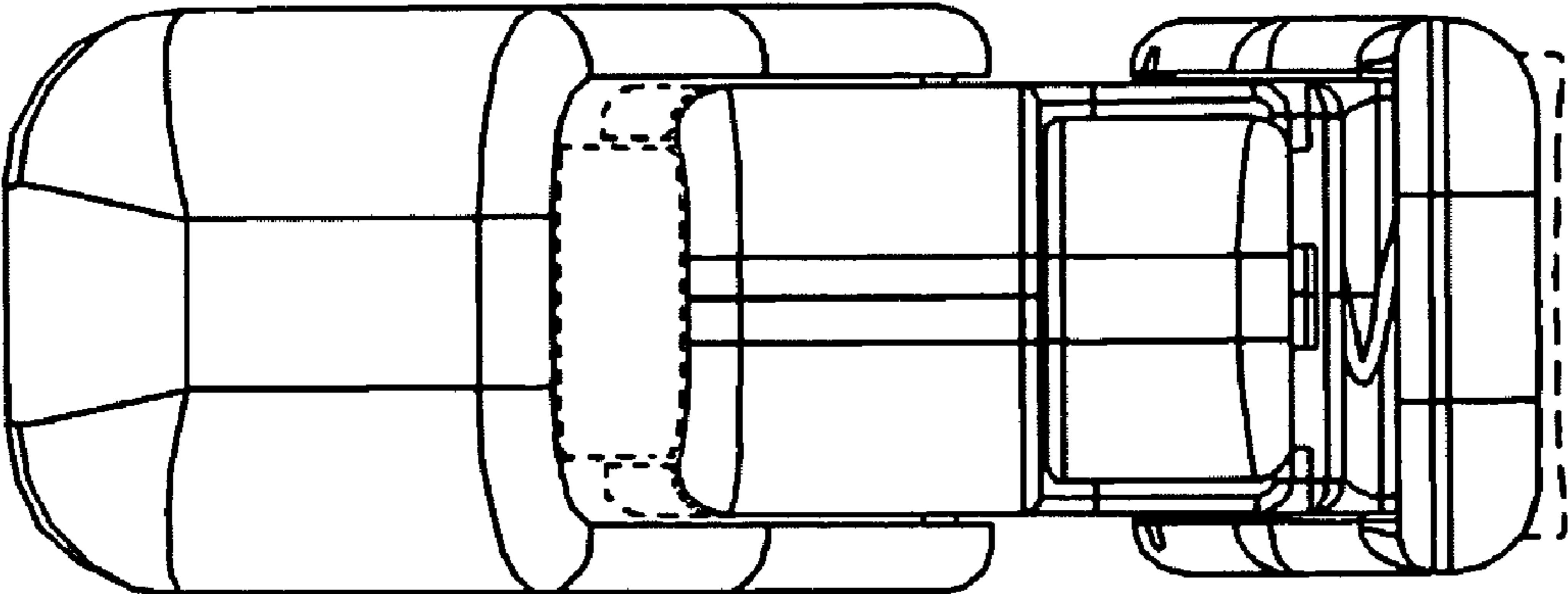


FIG.2

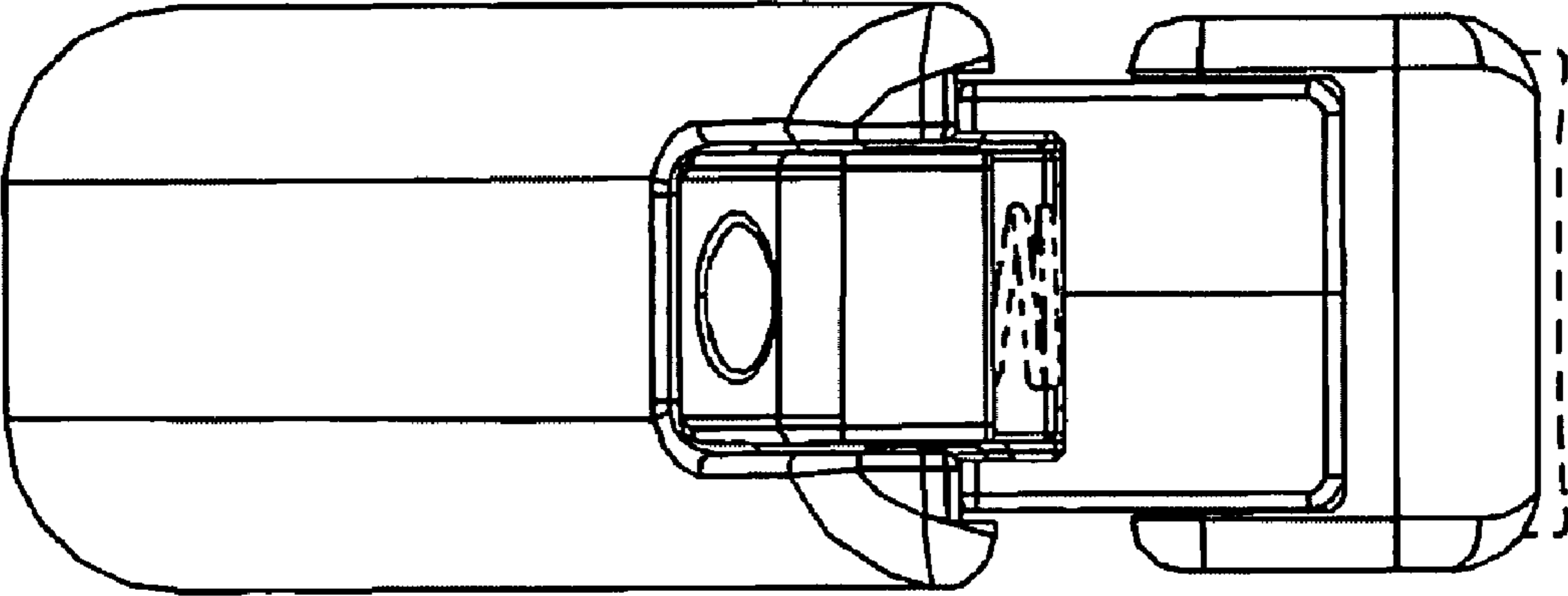


FIG.3

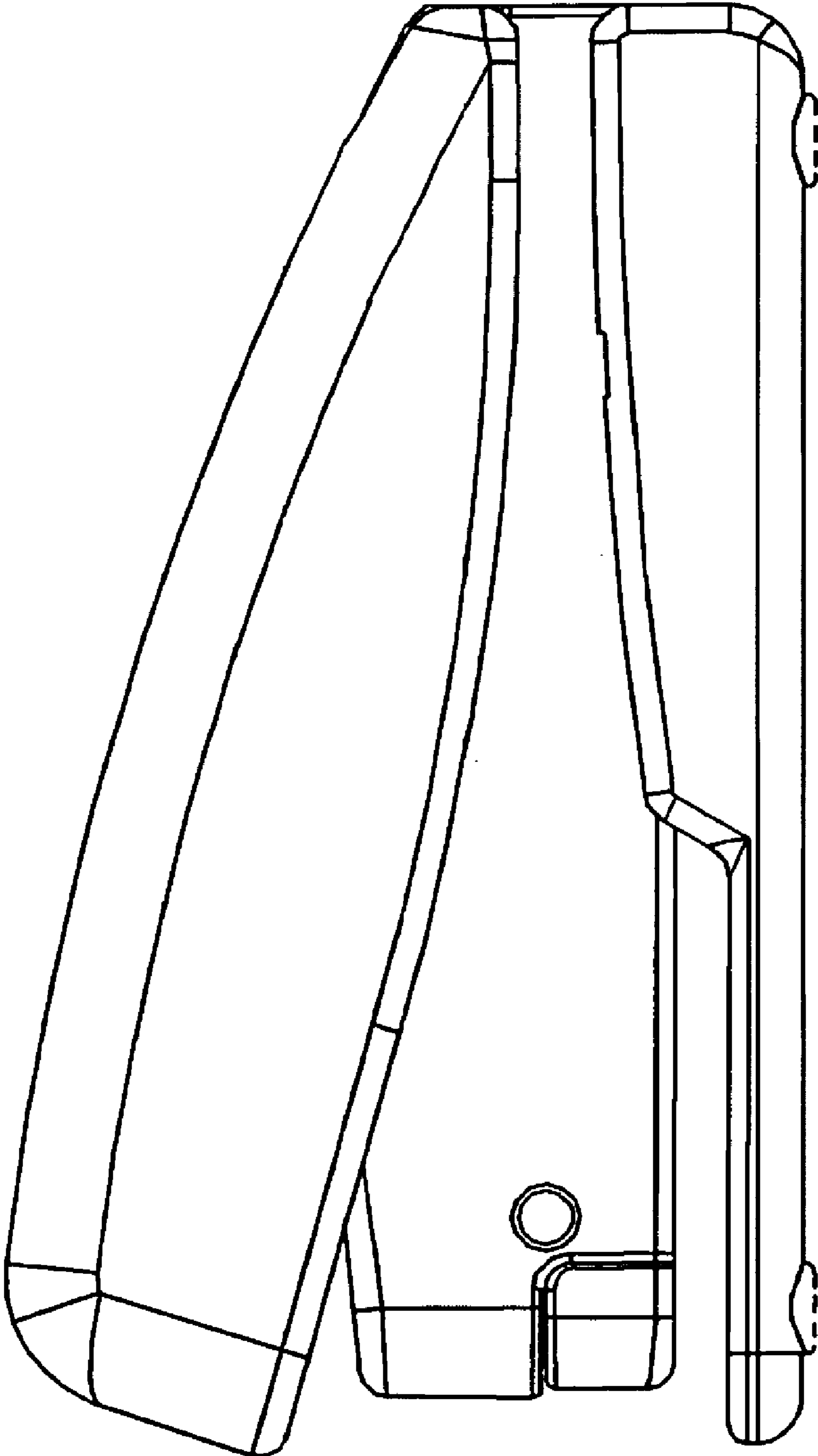


FIG.4

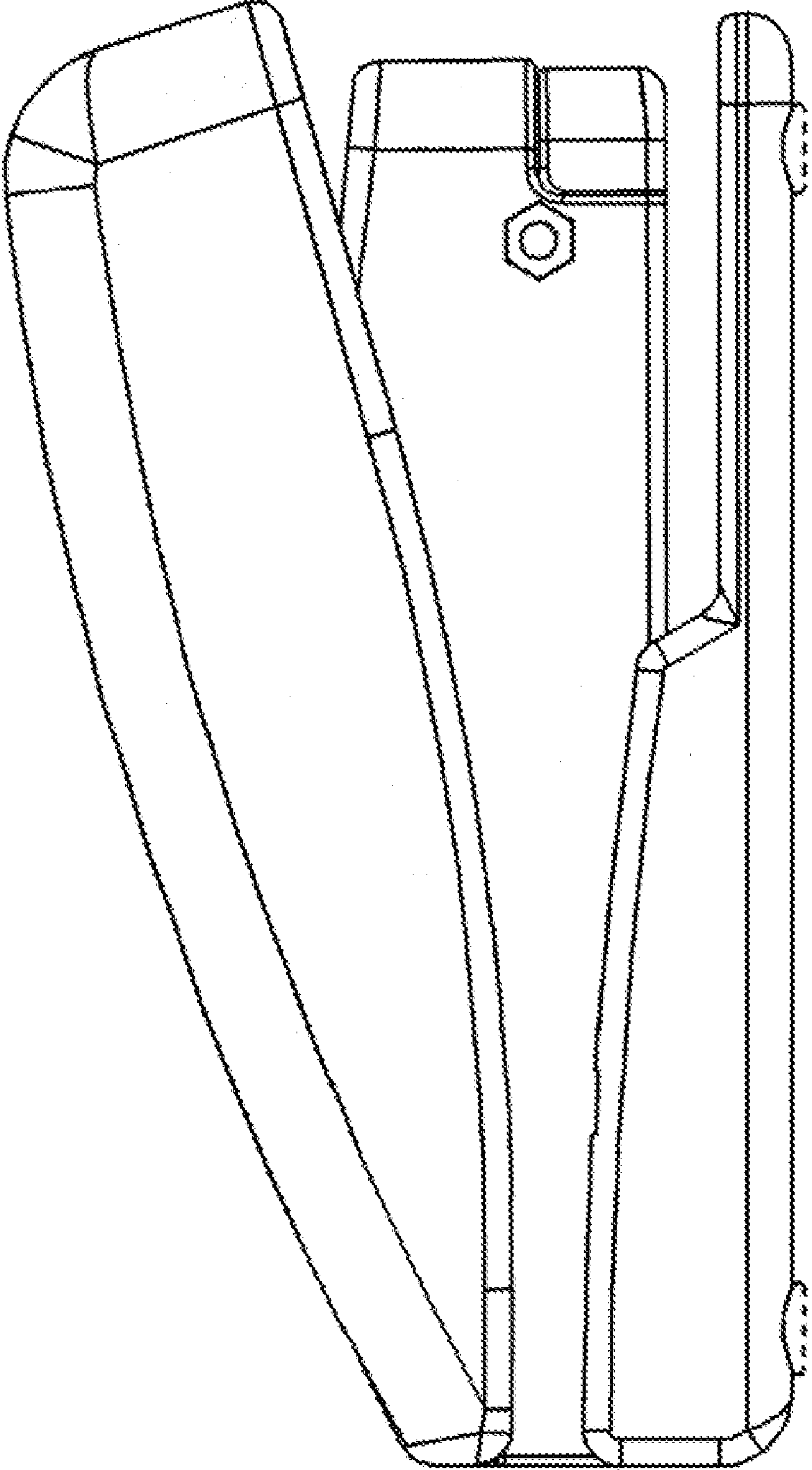


FIG.5

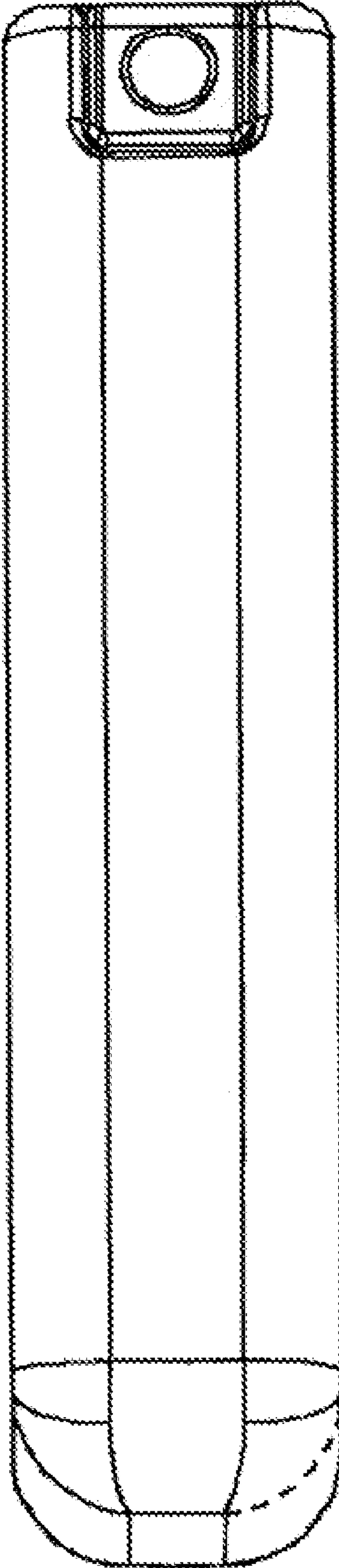


FIG. 6

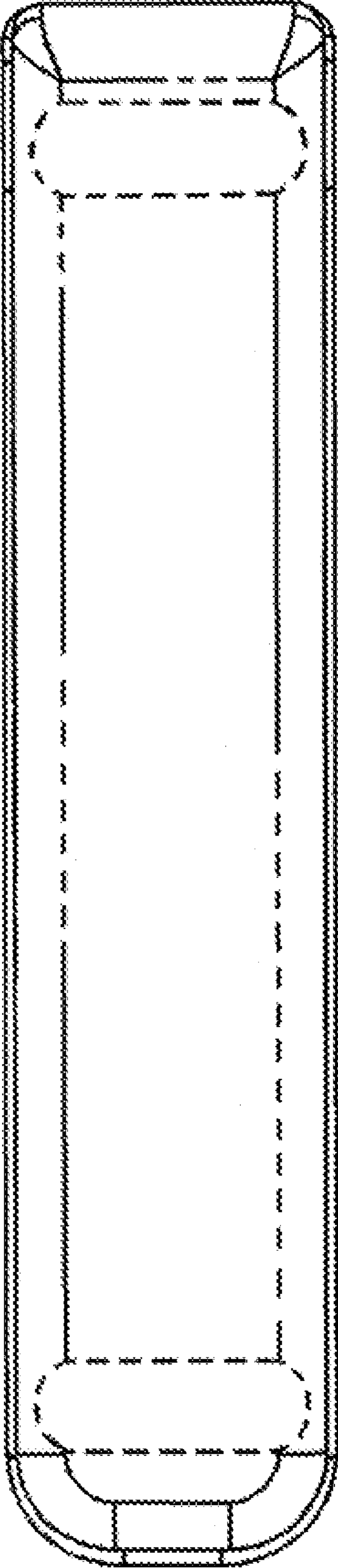


FIG. 7

