

US00D604128S

(12) **United States Design Patent**
Carroll

(10) **Patent No.:** **US D604,128 S**

(45) **Date of Patent:** **** Nov. 17, 2009**

(54) **BLADE FOR A ROUND POINT SHOVEL**

D595,550 S * 7/2009 Wong et al. D8/10

(75) Inventor: **Maureen Elizabeth Carroll**, Atlanta, GA (US)

* cited by examiner

Primary Examiner—Holly H Baynham

Assistant Examiner—Sheryl Lane

(73) Assignee: **Ames True Temper, Inc.**, Camp Hill, PA (US)

(74) *Attorney, Agent, or Firm*—Eckert Seamans Cherin & Mellot, LLC; David C. Jenkins, Esquire

(**) Term: **14 Years**

(57) **CLAIM**

(21) Appl. No.: **29/329,258**

The ornamental design for a blade for a round point shovel, as shown and described.

(22) Filed: **Dec. 11, 2008**

DESCRIPTION

(51) **LOC (9) Cl.** **08-01**

FIG. 1 is an isometric view of the blade for a round point shovel;

(52) **U.S. Cl.** **D8/10**

FIG. 2 is a front view of the blade for a round point shovel;

(58) **Field of Classification Search** D8/10;
294/54.5, 51, 53.5, 55; 37/278

FIG. 3 is a back view of the blade for a round point shovel;

See application file for complete search history.

FIG. 4 is a top view of the blade for a round point shovel;

(56) **References Cited**

FIG. 5 is a bottom view of the blade for a round point shovel;

U.S. PATENT DOCUMENTS

FIG. 6 is a right side view of the blade for a round point shovel; and,

4,050,727 A * 9/1977 Bonnes 294/49

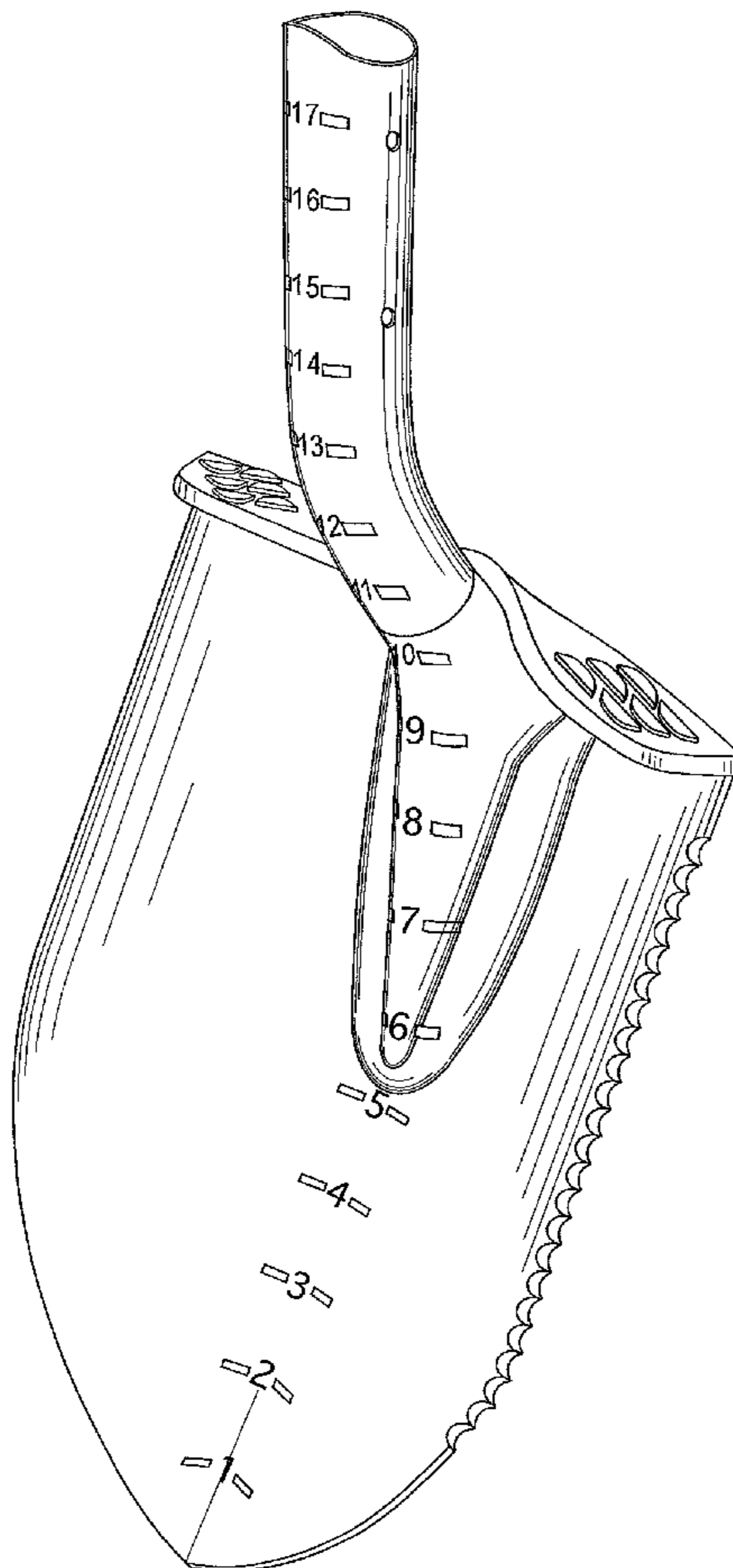
FIG. 7 is a left side view of the blade for a round point shovel.

D506,654 S * 6/2005 Costa D8/10

D570,653 S * 6/2008 Baker D8/10

D582,226 S * 12/2008 DeMar et al. D8/10

1 Claim, 6 Drawing Sheets



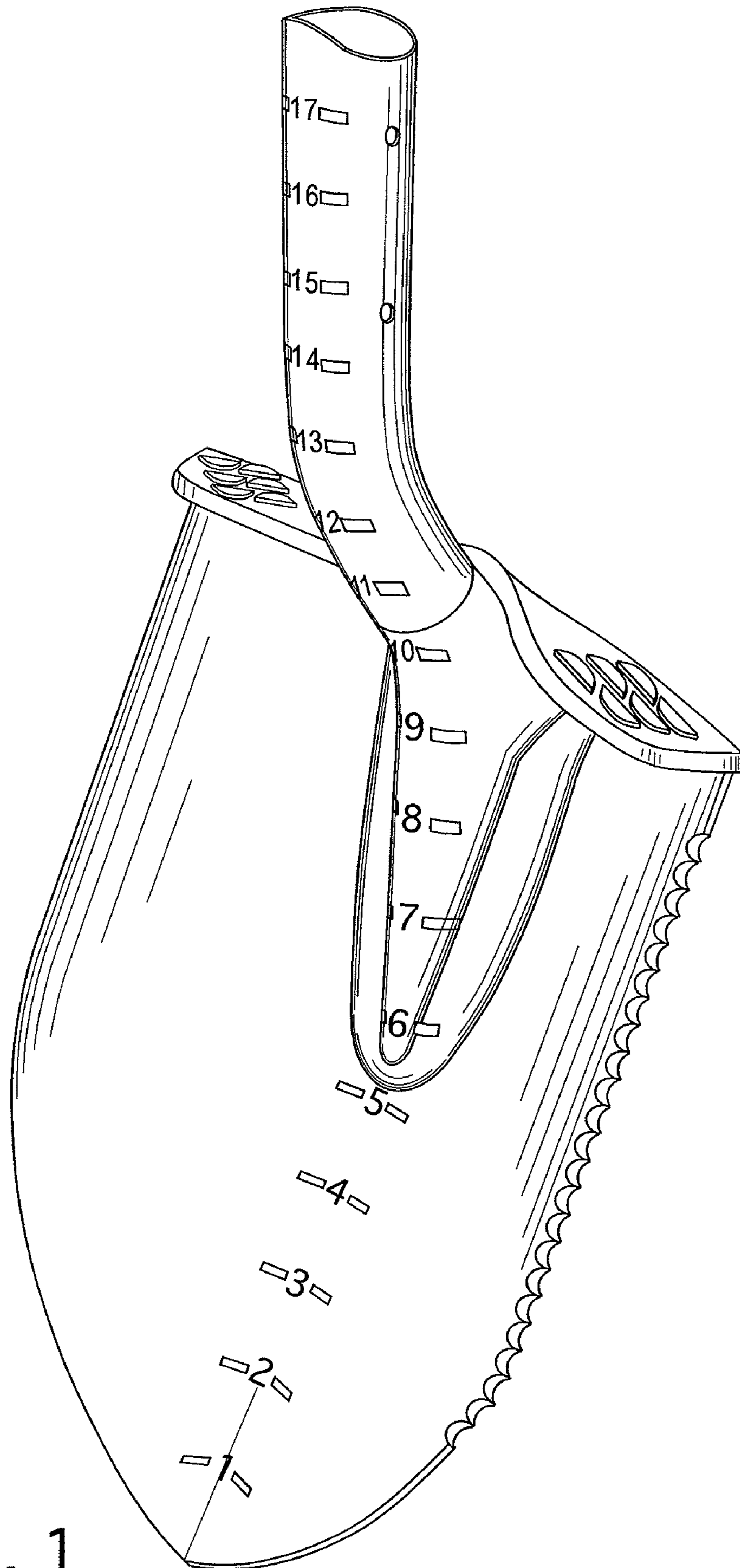


FIG. 1

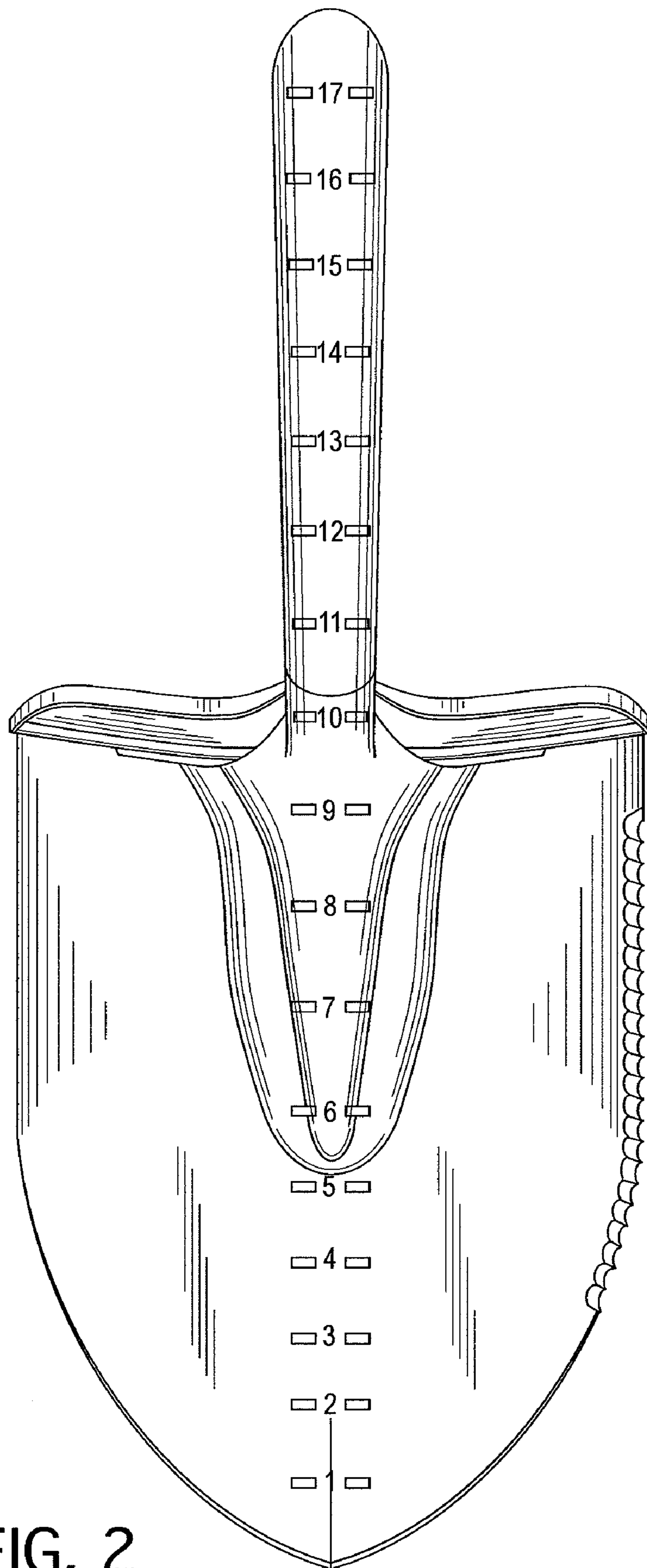


FIG. 2

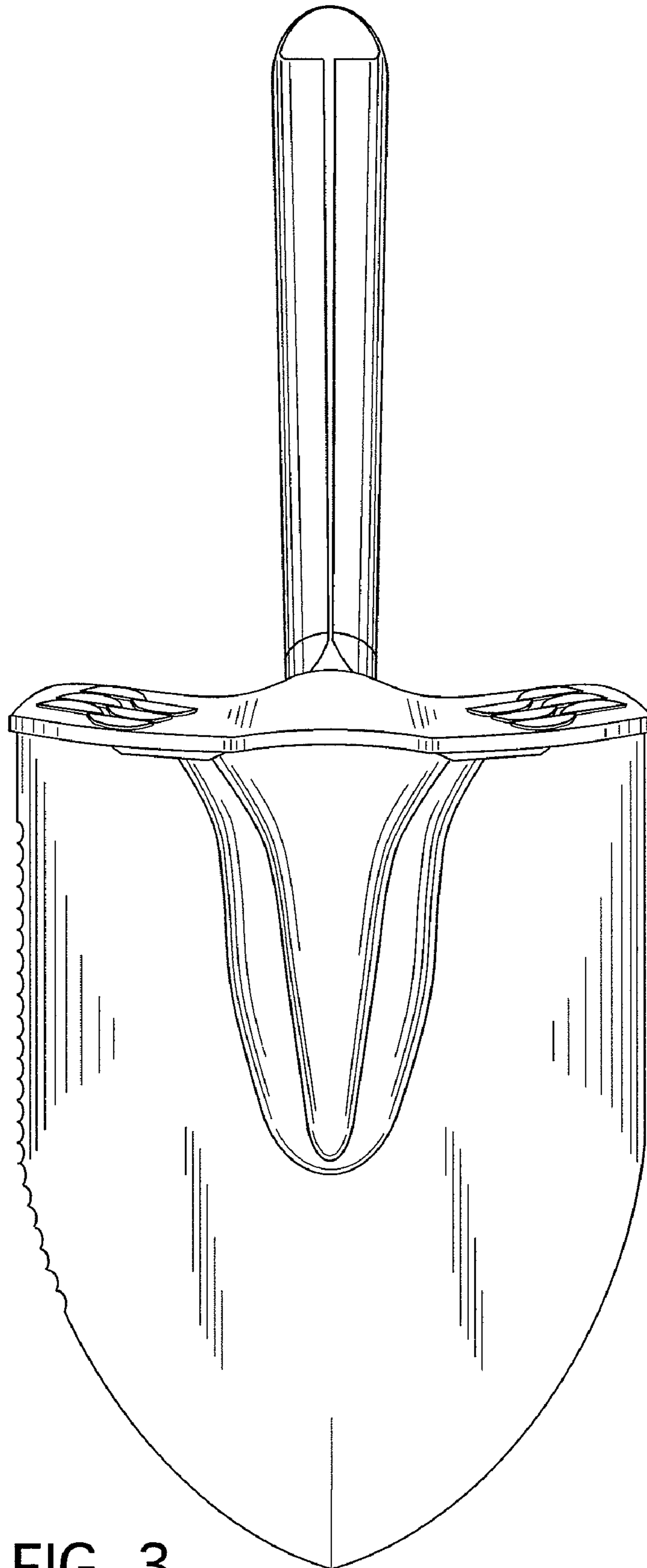


FIG. 3

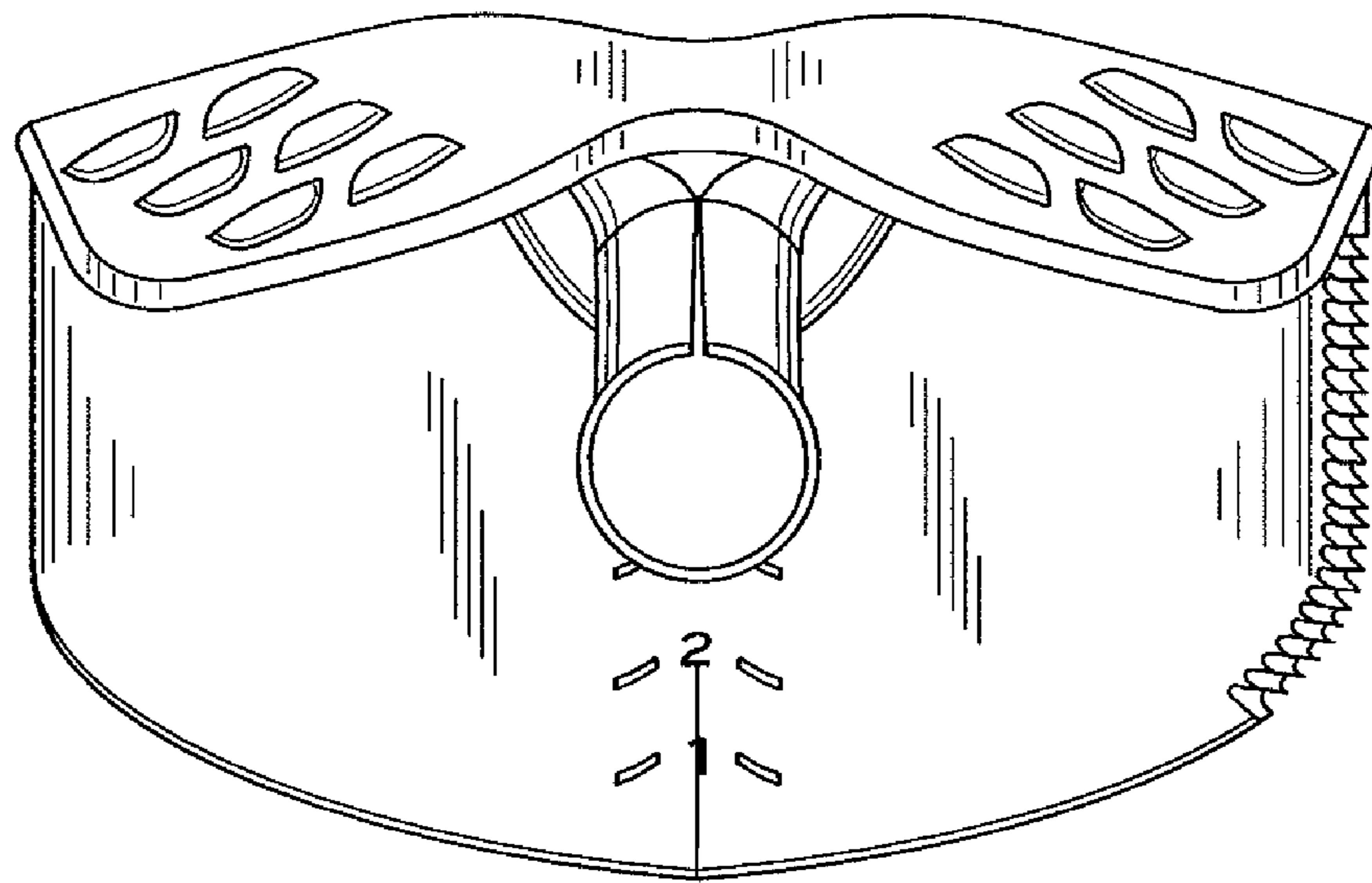


FIG. 4

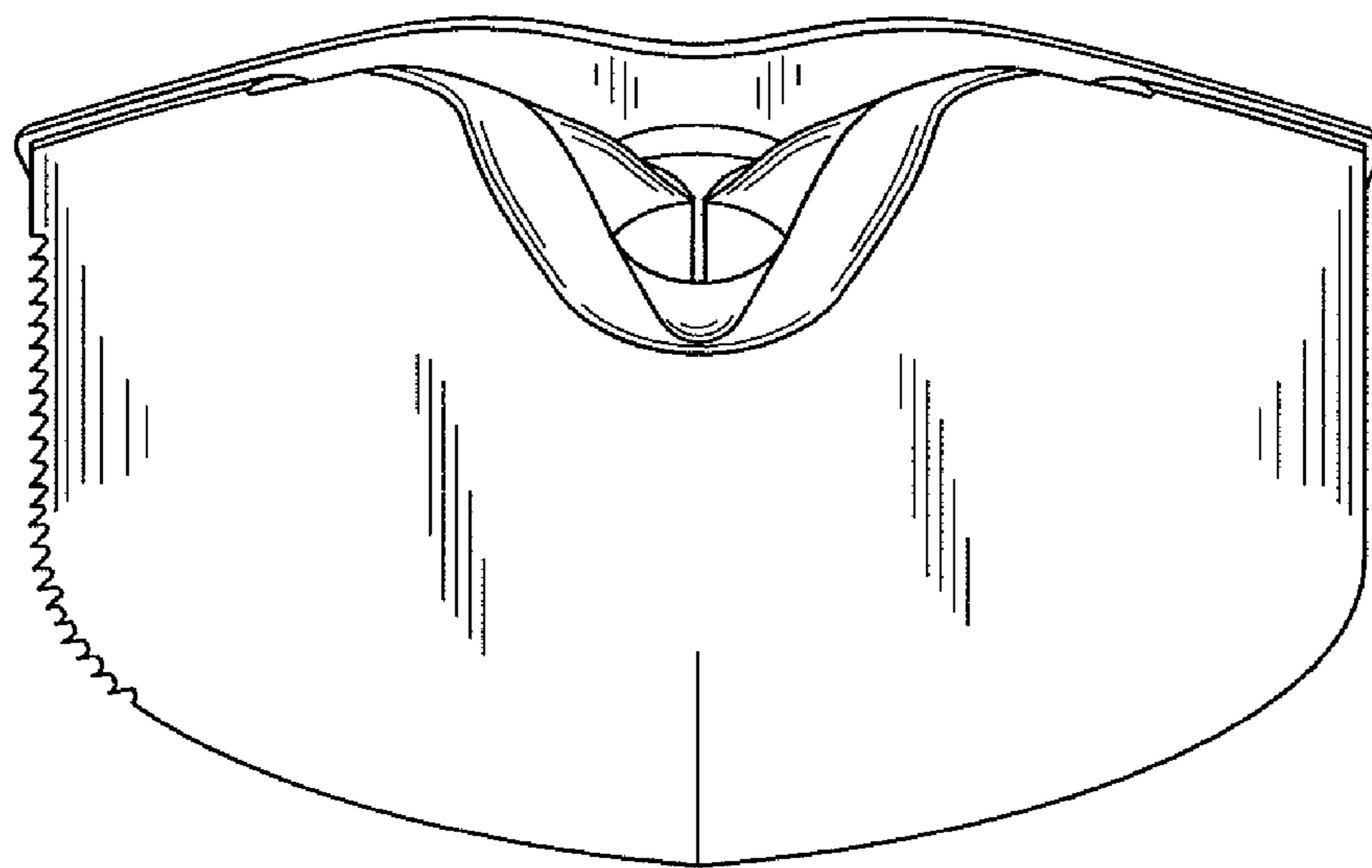


FIG. 5

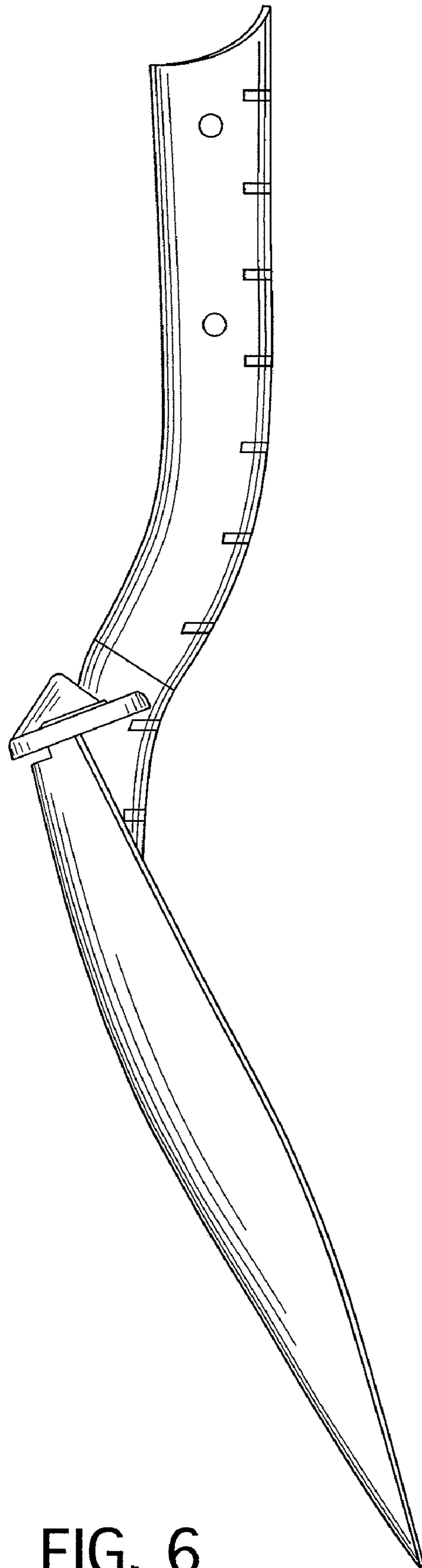


FIG. 6

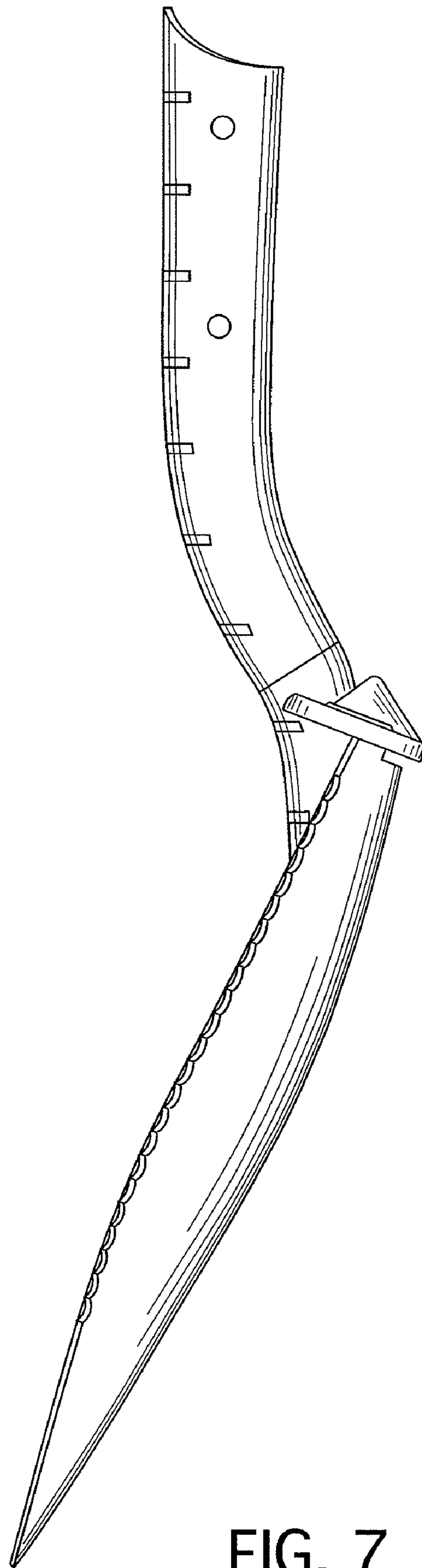


FIG. 7