



US00D604127S

(12) **United States Design Patent**
Houghton

(10) **Patent No.:** **US D604,127 S**

(45) **Date of Patent:** **** Nov. 17, 2009**

(54) **STRING TRIMMER**

(75) Inventor: **Stephen Houghton**, Newcastle Upon Tyne (GB)

(73) Assignee: **Black & Decker Inc.**, Newark, DE (US)

(**) Term: **14 Years**

(21) Appl. No.: **29/322,005**

(22) Filed: **Jul. 28, 2008**

Related U.S. Application Data

(63) Continuation of application No. 29/291,034, filed on Aug. 10, 2007, now Pat. No. Des. 578,842.

(51) **LOC (9) Cl.** **08-01**

(52) **U.S. Cl.** **D8/8**

(58) **Field of Classification Search** D8/8,
D8/9; 30/276, 347; 56/12.7

See application file for complete search history.

(56) **References Cited**

U.S. PATENT DOCUMENTS

- D355,818 S * 2/1995 Nakadachi D8/8
- D446,699 S * 8/2001 Marshall et al. D8/8
- D483,236 S * 12/2003 Martin et al. D8/8
- D510,512 S * 10/2005 Robson D8/8

6,973,728 B2 * 12/2005 Ellson et al. 30/276

* cited by examiner

Primary Examiner—Holly H Baynham

Assistant Examiner—Sheryl Lane

(74) *Attorney, Agent, or Firm*—John Yun; Bruce S. Shapiro; Wesley Muller

(57) **CLAIM**

The ornamental design for a string trimmer, as shown and described.

DESCRIPTION

FIG. 1 is a front perspective view of a string trimmer showing the new design.

FIG. 2 is a right side view of a string trimmer according to FIG. 1.

FIG. 3 is a left side view of a string trimmer according to FIG. 1.

FIG. 4 is a front view of a string trimmer according to FIG. 1.

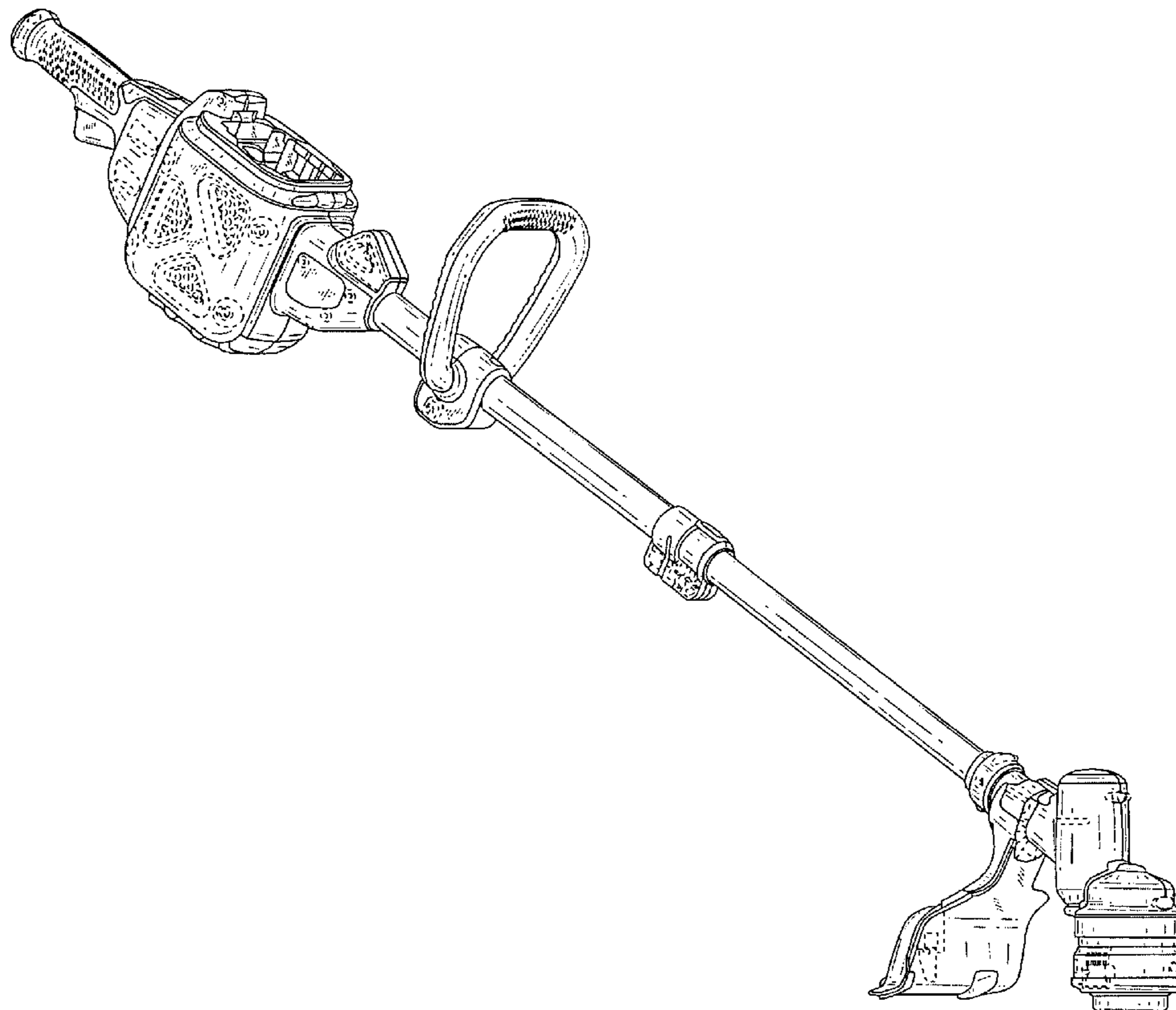
FIG. 5 is a rear view of a string trimmer according to FIG. 1.

FIG. 6 is a top view of a string trimmer according to FIG. 1.

FIG. 7 is a bottom view of a string trimmer according to FIG. 1; and,

FIG. 8 is a rear perspective view of a string trimmer according to FIG. 1.

1 Claim, 8 Drawing Sheets



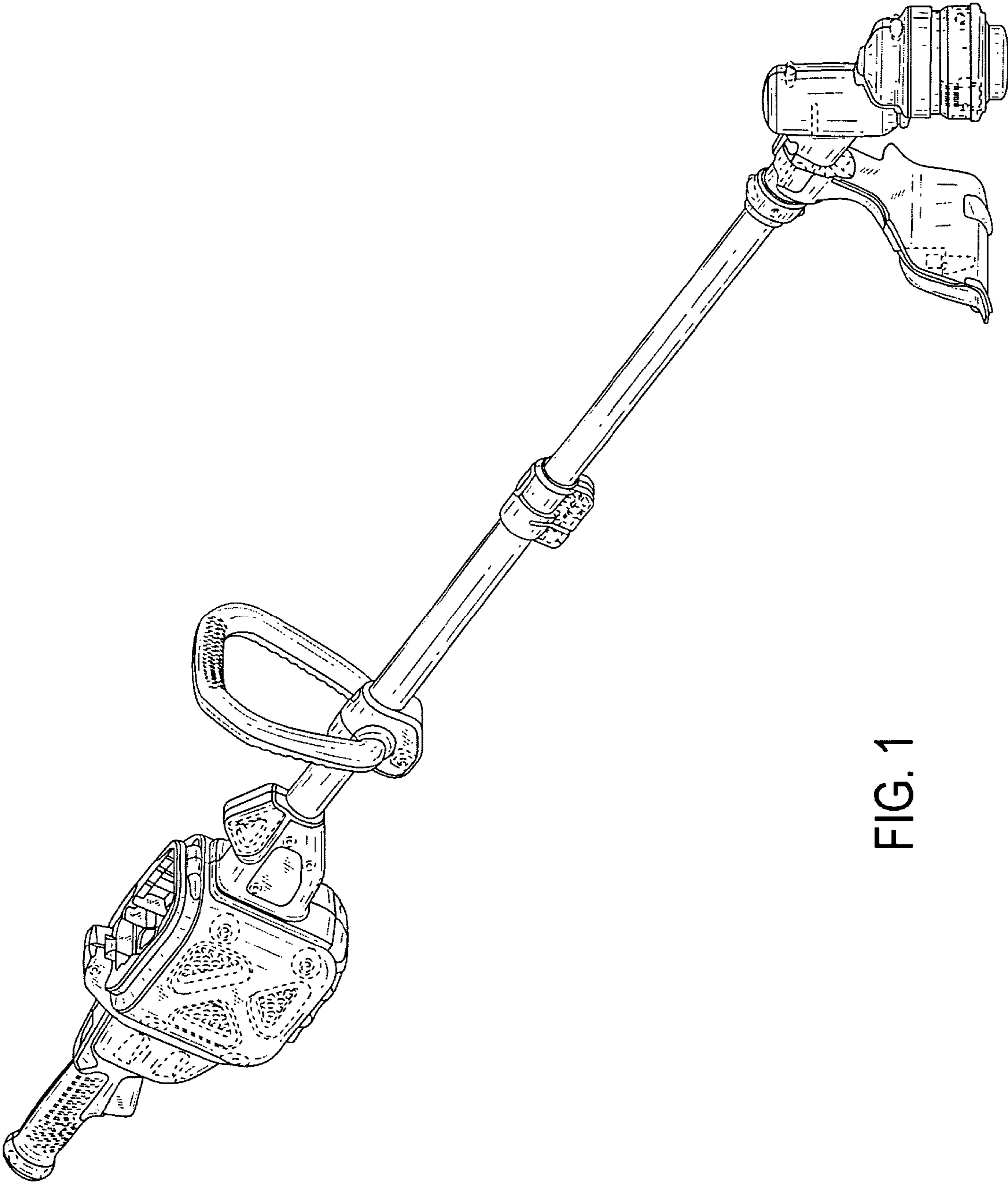


FIG. 1

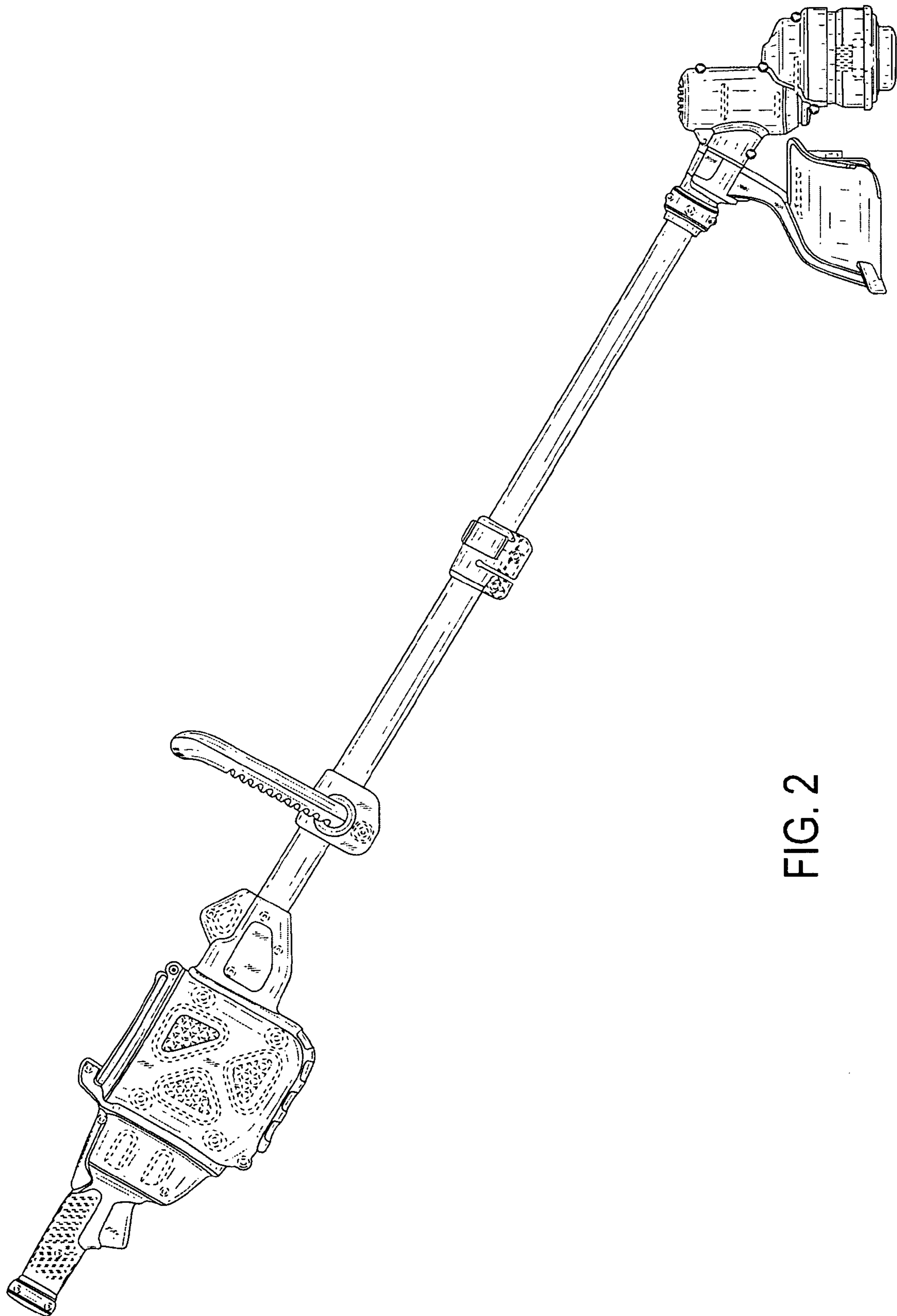


FIG. 2

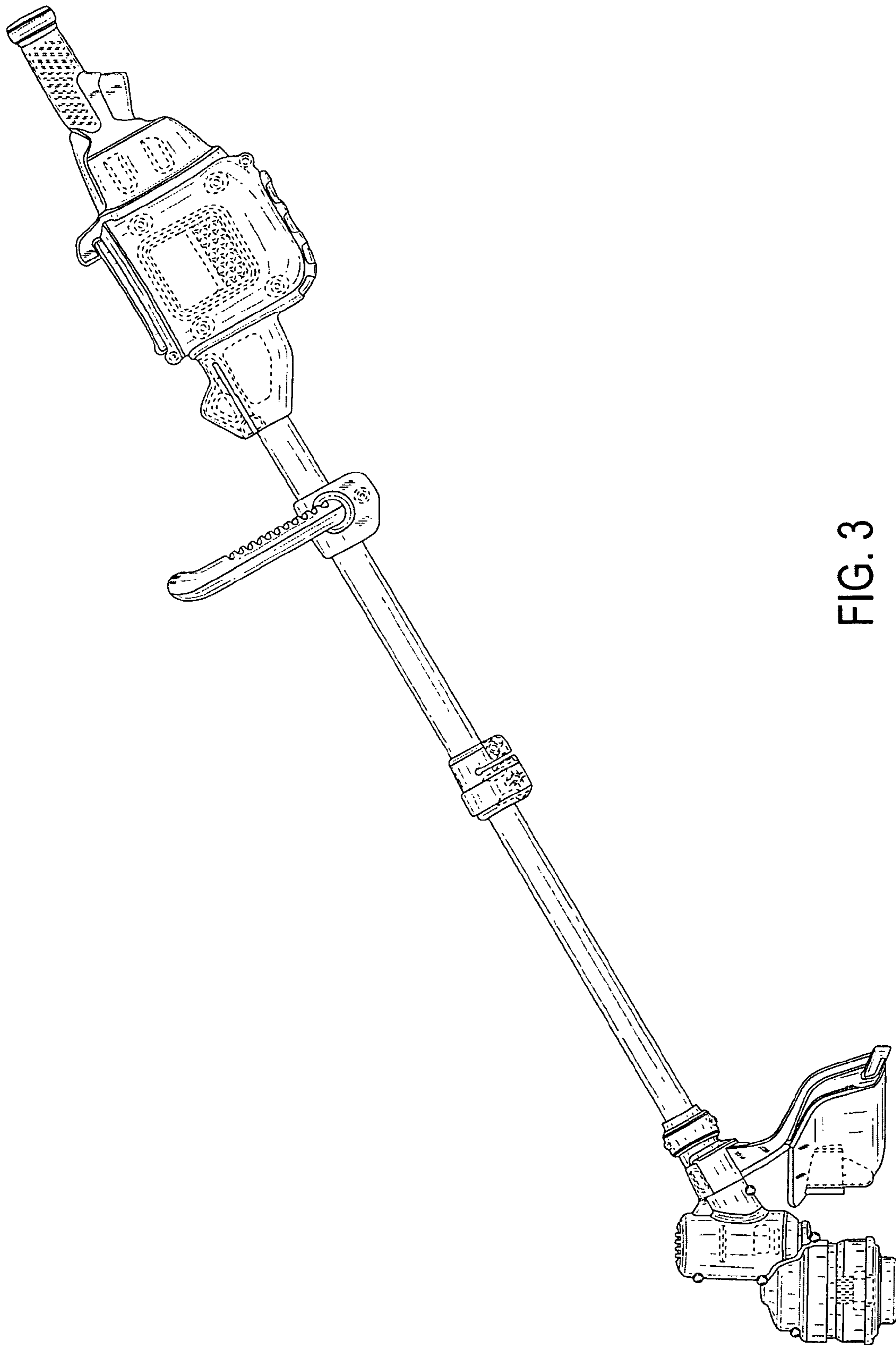


FIG. 3

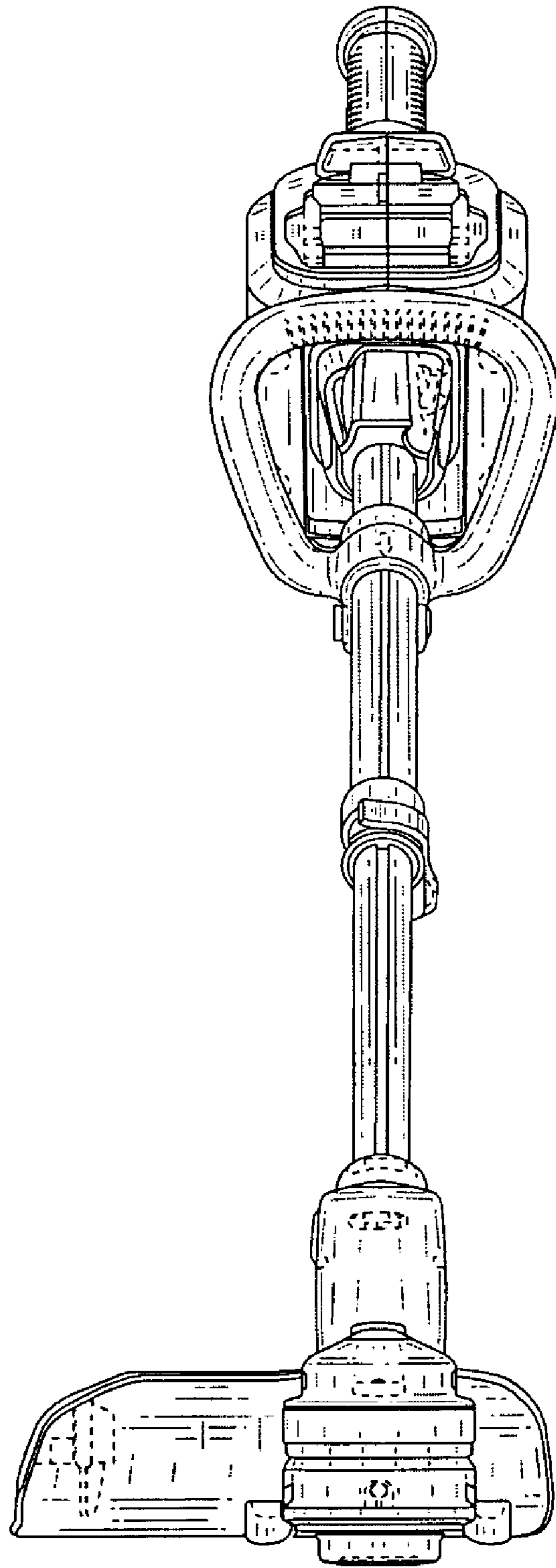


FIG. 4

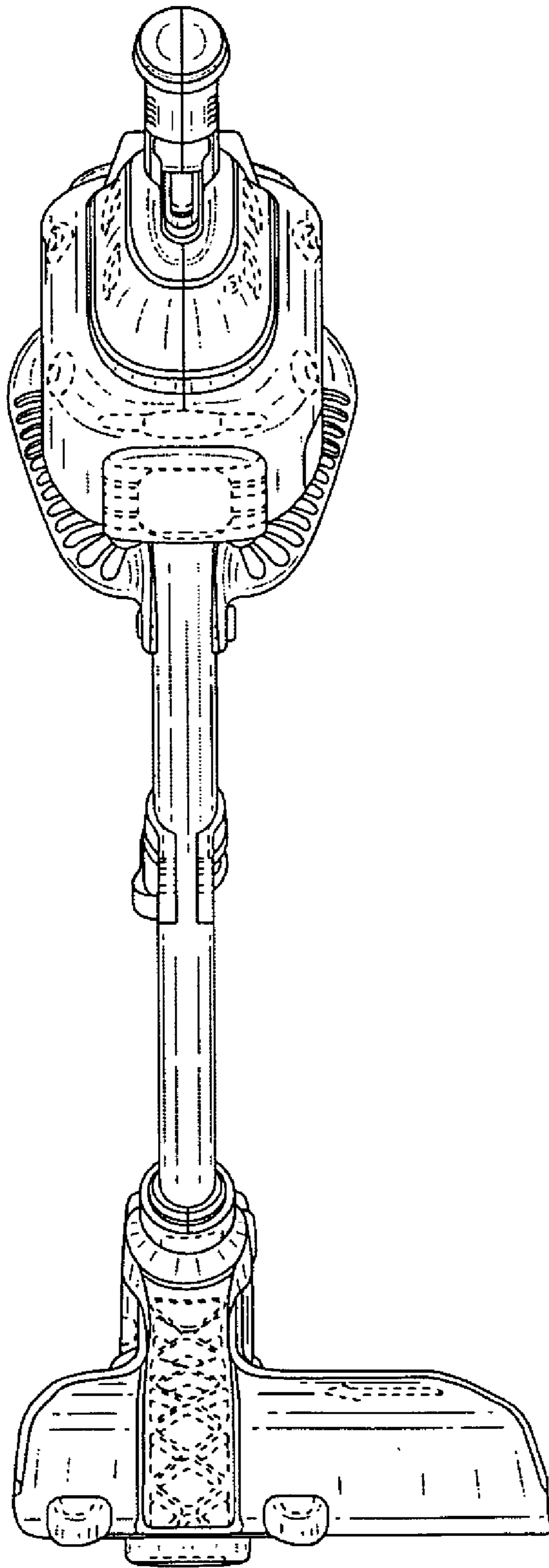


FIG. 5

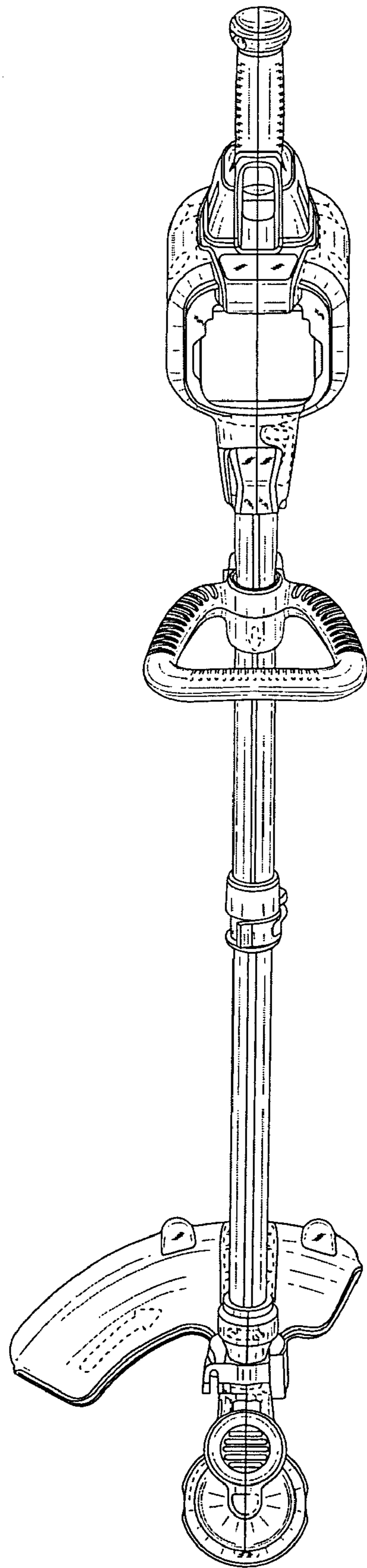


FIG. 6

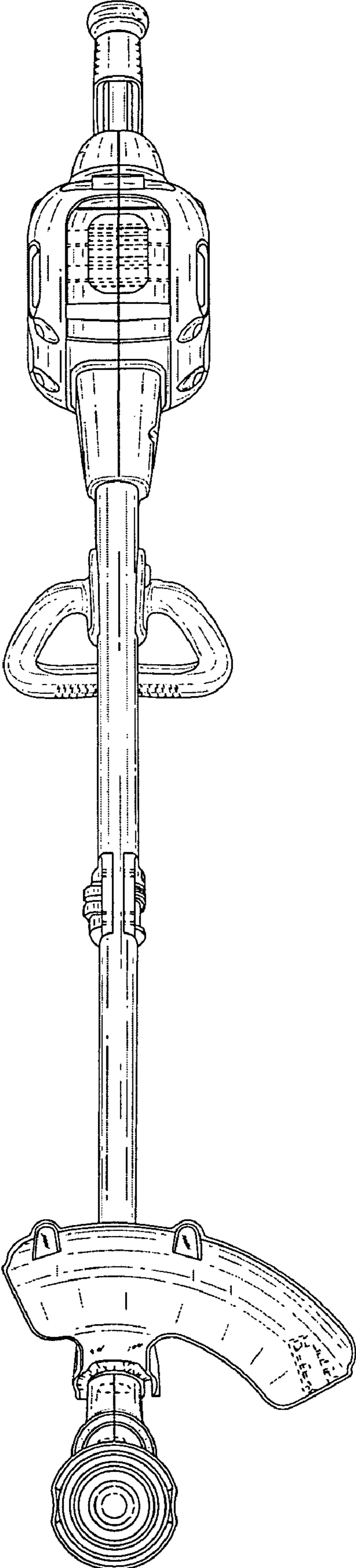


FIG. 7

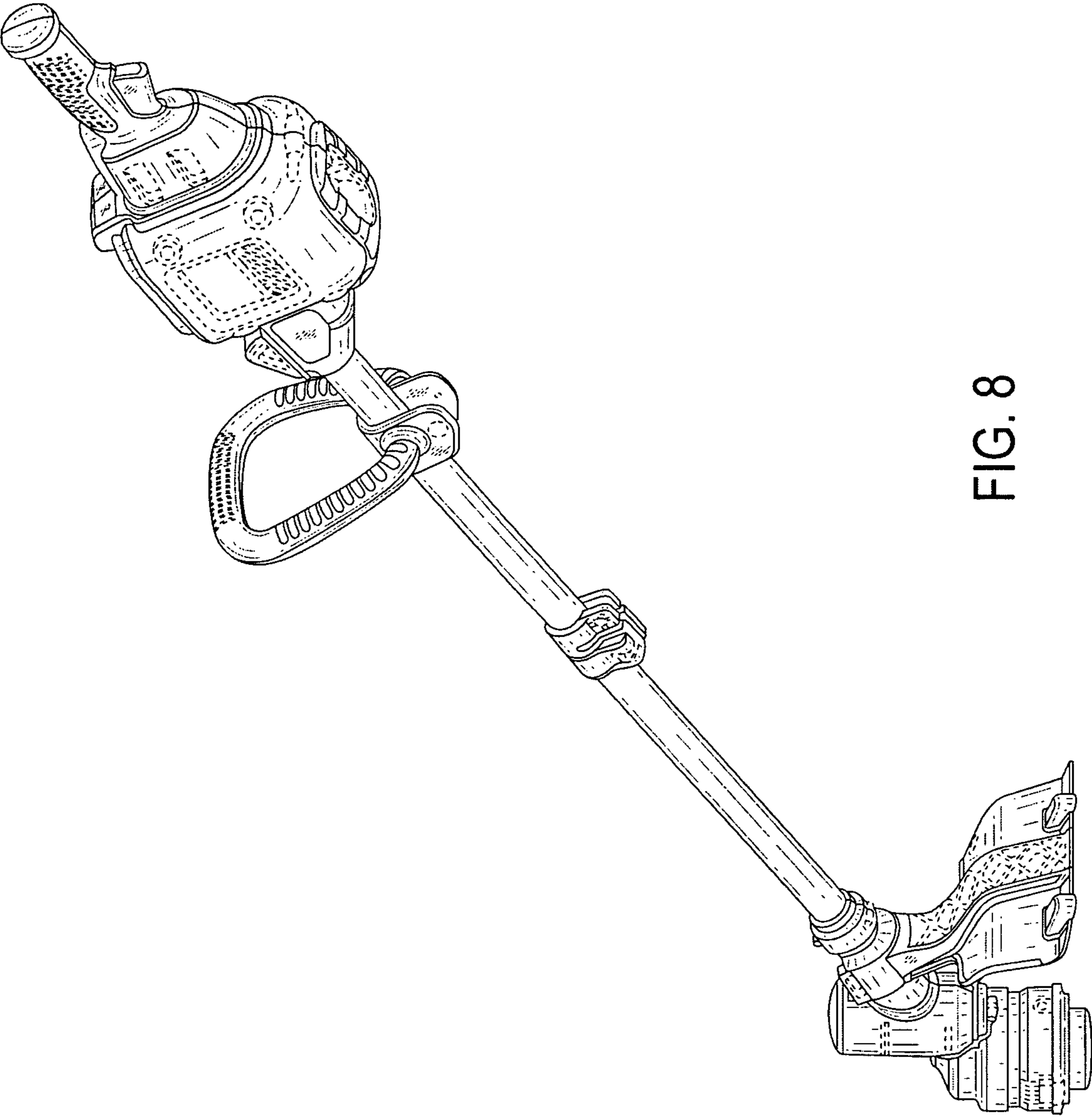


FIG. 8