



US00D604124S

(12) **United States Design Patent**
Smith et al.

(10) **Patent No.:** **US D604,124 S**
(45) **Date of Patent:** **** Nov. 17, 2009**

(54) **FOOD GRATER**

DESCRIPTION

(75) Inventors: **Richard S. Smith**, Hot Springs, AR (US); **Louis Challant**, Hot Springs, AR (US)

(73) Assignee: **Smith Abrasives, Inc.**, Hot Springs, AR (US)

(**) Term: **14 Years**

(21) Appl. No.: **29/313,854**

(22) Filed: **Feb. 13, 2009**

(51) **LOC (9) Cl.** **07-04**

(52) **U.S. Cl.** **D7/678**

(58) **Field of Classification Search** D7/678,
D7/672, 693, 679; 241/93, 95, 273.1–273.4,
241/280–282, 168, 169, 169.1; 83/669, 856,
83/857, 699.51, 699.61, 870, 932
See application file for complete search history.

(56) **References Cited**

U.S. PATENT DOCUMENTS

6,318,652 B1 * 11/2001 Liu 241/95
D467,136 S * 12/2002 Levien et al. D7/678
D498,649 S * 11/2004 Di Bitonto et al. D7/678
D511,946 S * 11/2005 Overthun et al. D7/678

* cited by examiner

Primary Examiner—Terry A Wallace

(74) *Attorney, Agent, or Firm*—Edward D. Gilhooly

(57) **CLAIM**

The designs for a food grater, as shown and described.

FIG. 1 is a top perspective view of the design for a food grater of the invention;

FIG. 2 is top plan view of a first embodiment of the food grater of FIG. 1;

FIG. 3 is a left side elevational view, viewing FIG. 2, of the food grater of FIG. 1;

FIG. 4 is right side elevational view, viewing FIG. 2, of the food grater of FIG. 1;

FIG. 5 is a left end elevational view, viewing FIG. 3, of the food grater of FIG. 1;

FIG. 6 is a right end elevational view, viewing FIG. 3, of the food grater of FIG. 1;

FIG. 7 is a bottom plan view of the food grater of FIG. 1;

FIG. 8 is top perspective view of a second embodiment of the food grater of the invention having the same end and side designs of the foregoing embodiment described with reference to FIGS. 1–7;

FIG. 9 is a top plan view of a second embodiment of the food grater of the invention;

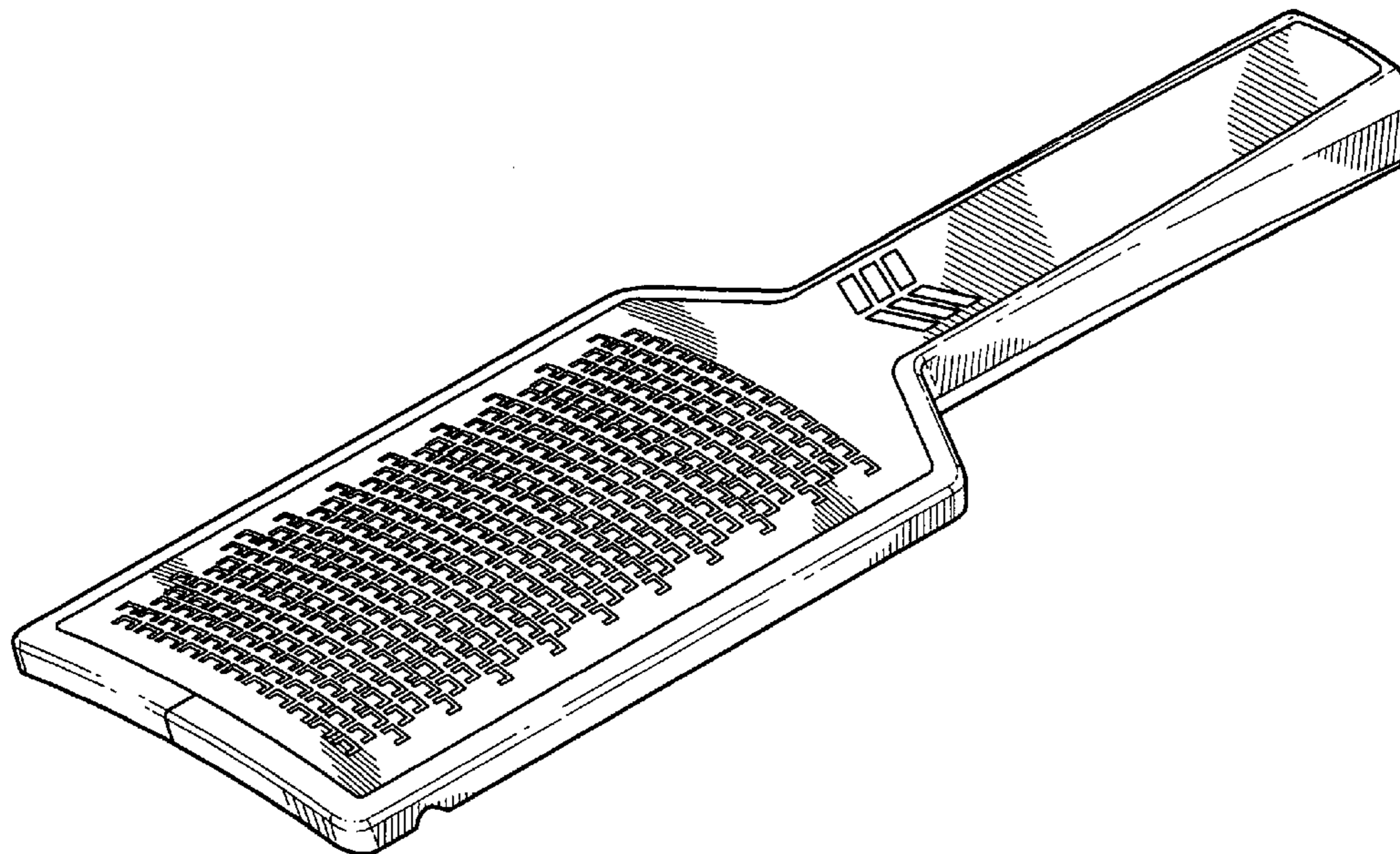
FIG. 10 is a top plan view of the second embodiment of FIG. 8 of the food grater of the invention;

FIG. 11 is top perspective view of a third embodiment of the food grater of the invention having the same end and side designs of the foregoing embodiment described with reference to FIGS. 1–7;

FIG. 12 is a top plan view of a third embodiment of FIG. 11 of the food grater of the invention; and,

FIG. 13 is a top plan view of the third embodiment of FIG. 11 of the food grater of the invention.

1 Claim, 11 Drawing Sheets



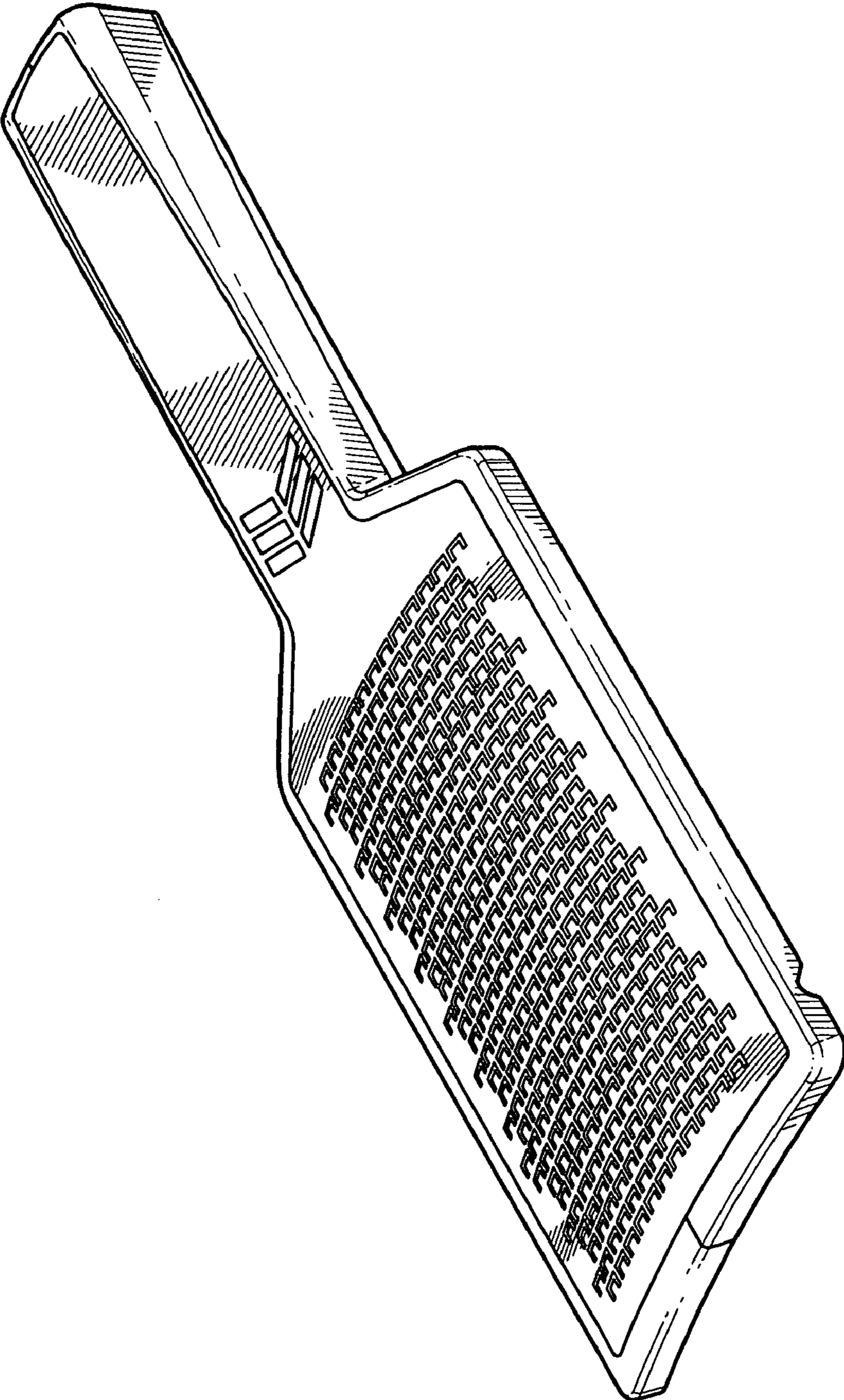


FIG. 1

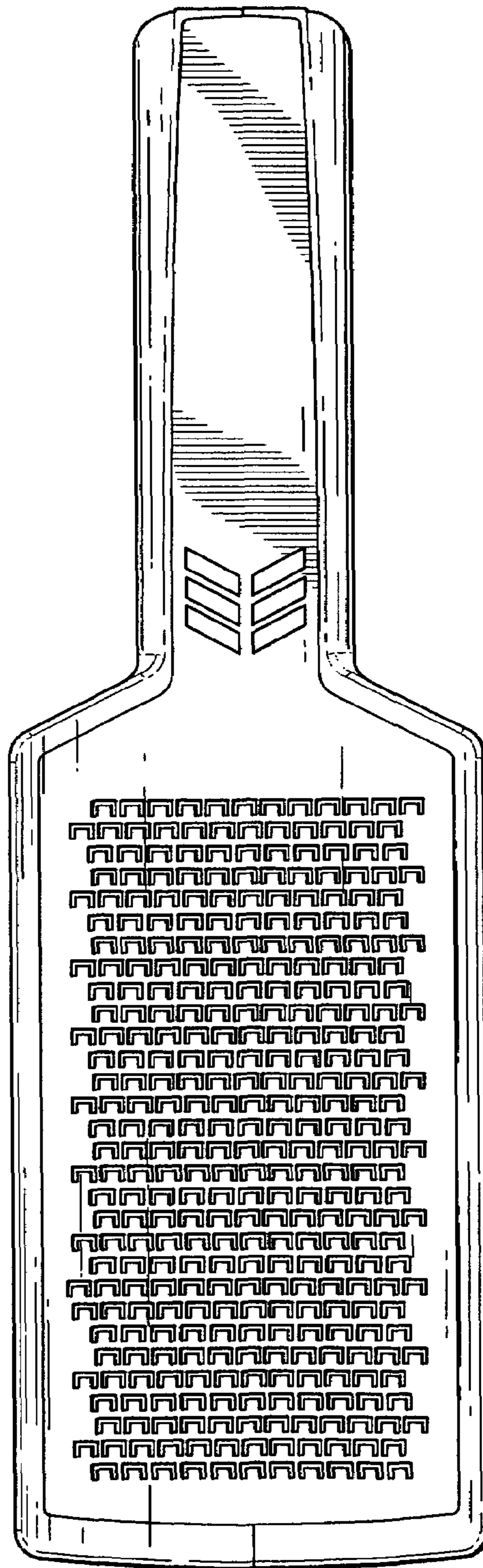


FIG. 2

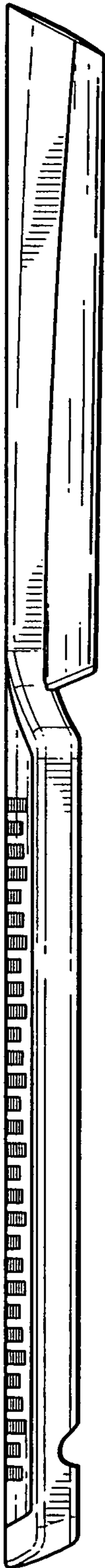


FIG. 3

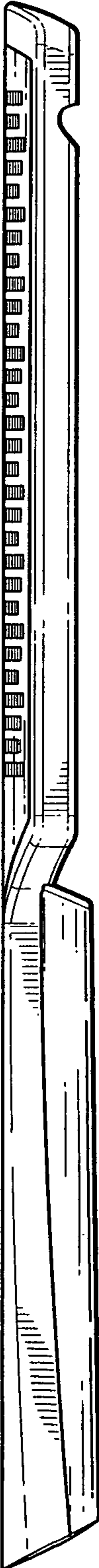


FIG. 4

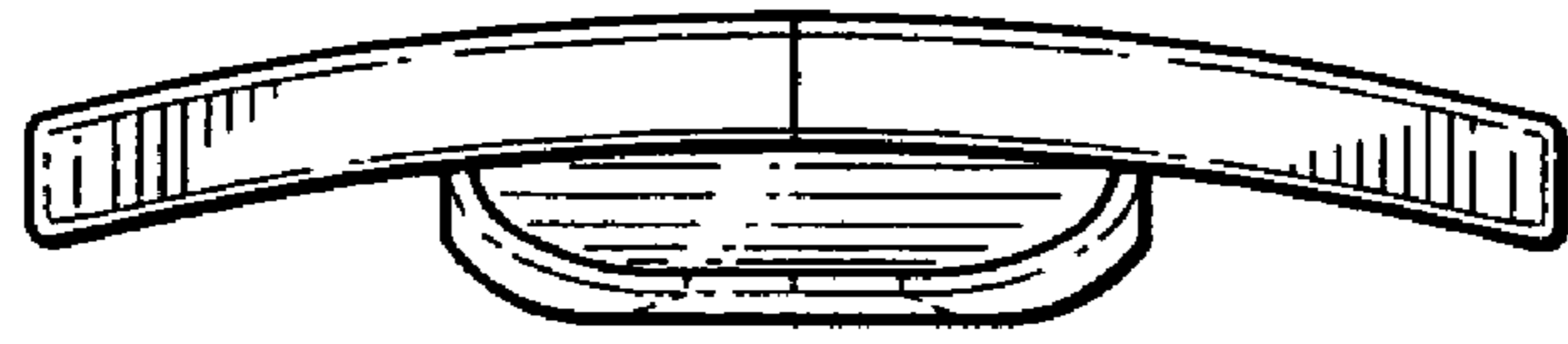


FIG. 5

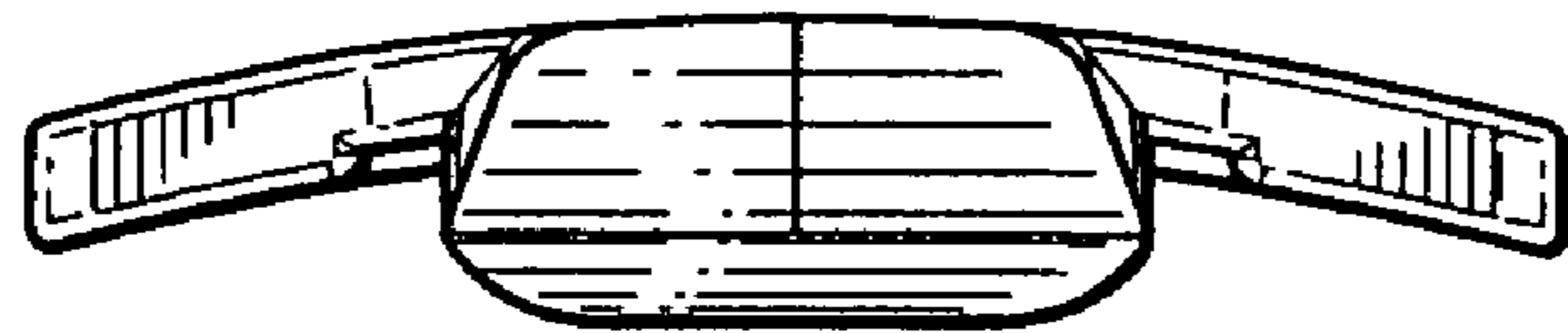


FIG. 6

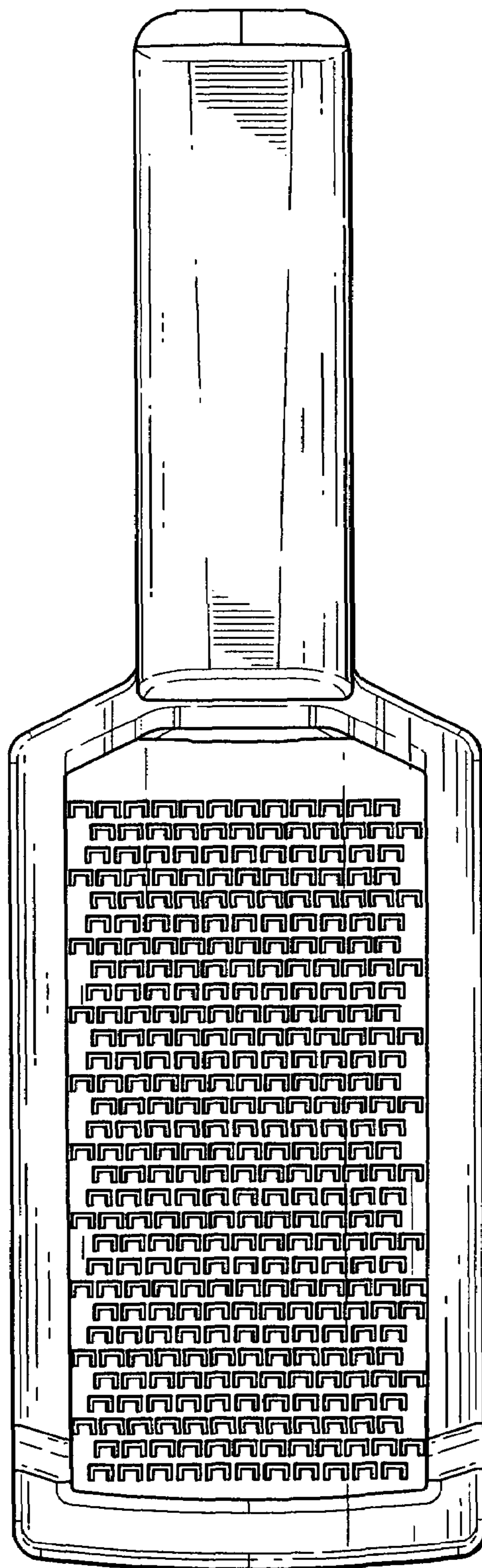


FIG. 7

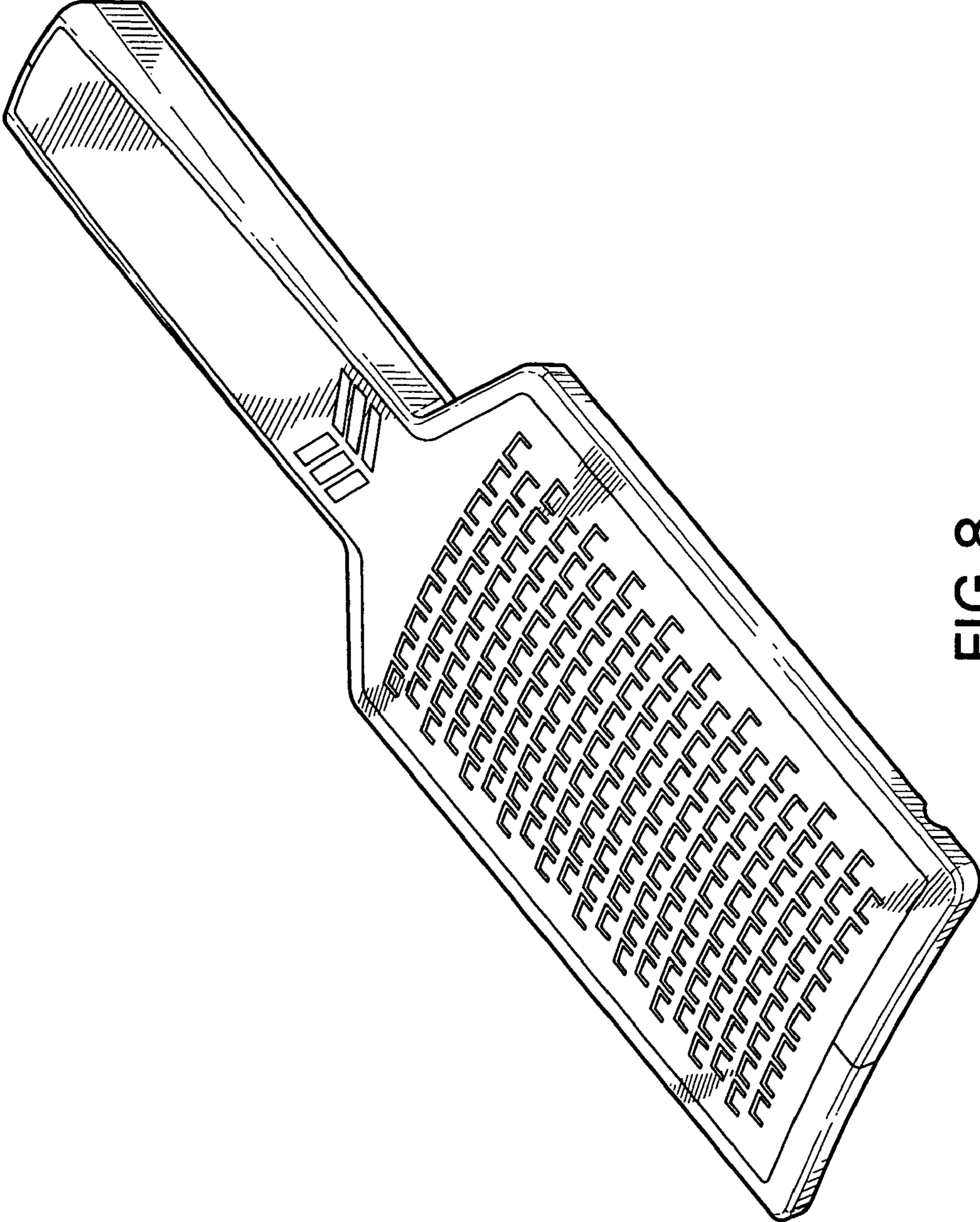


FIG. 8

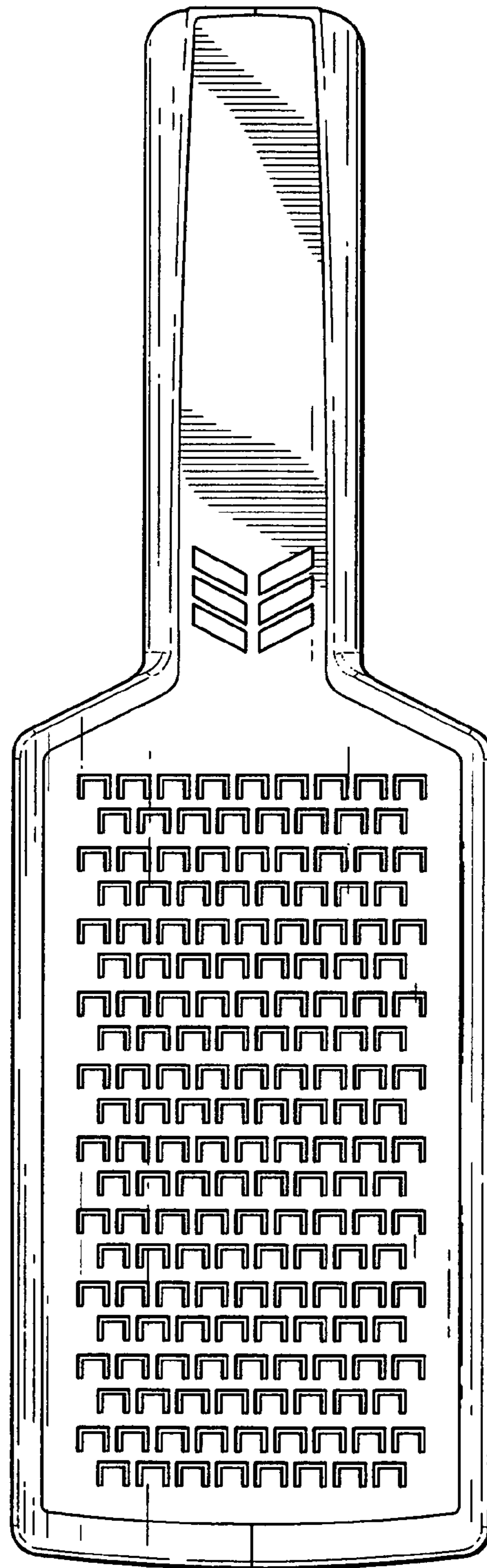


FIG. 9

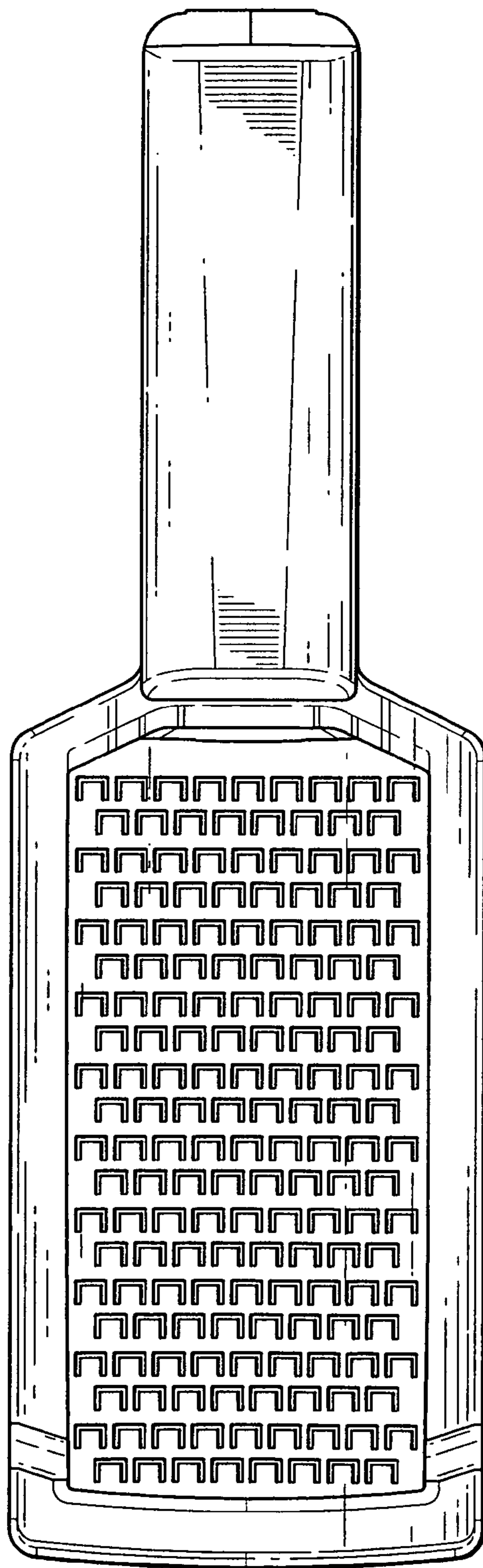


FIG. 10

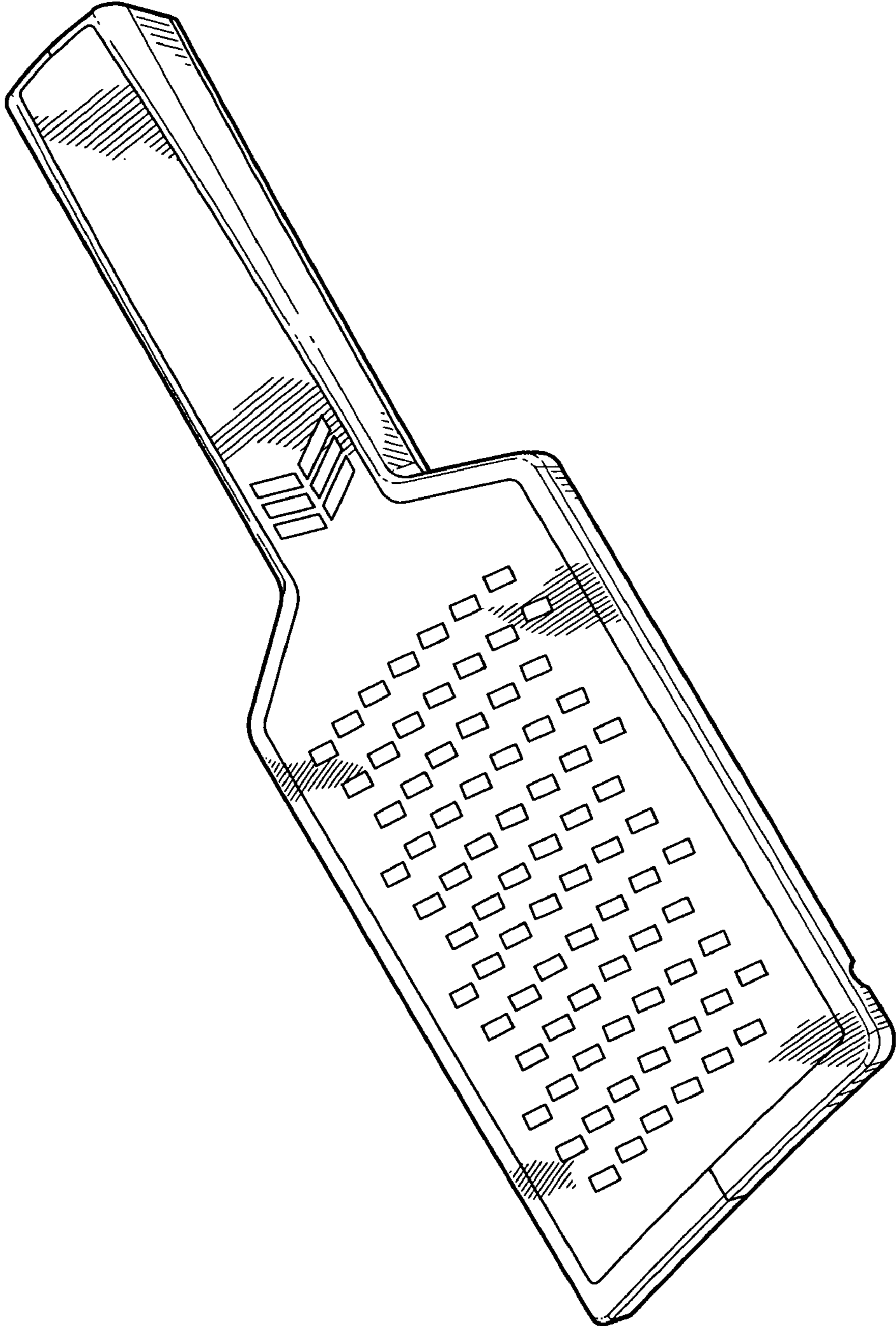


FIG. 11

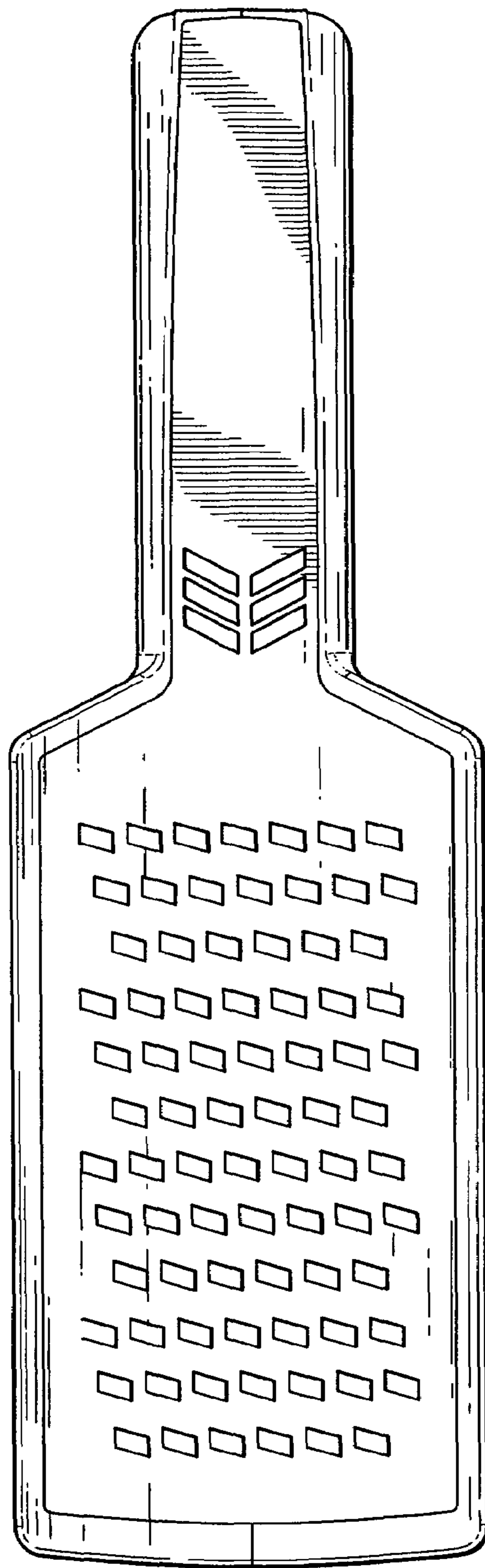


FIG. 12

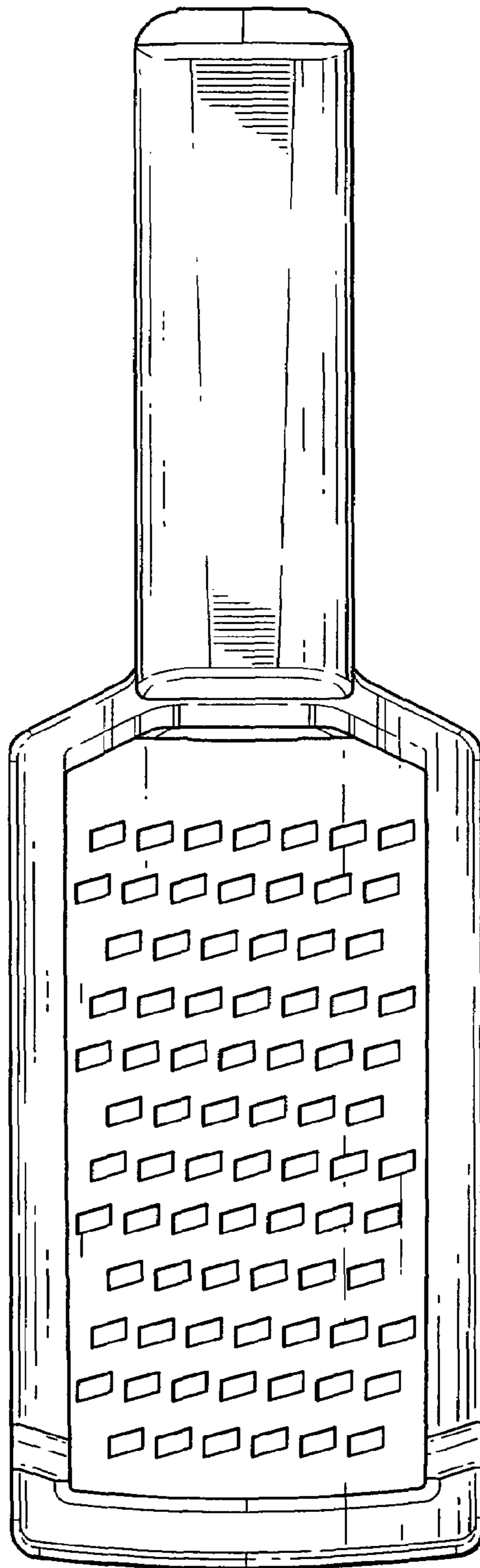


FIG. 13