

US00D604122S

(12) **United States Design Patent**
Borovicka et al.

(10) **Patent No.:** **US D604,122 S**

(45) **Date of Patent:** **** Nov. 17, 2009**

(54) **BARBECUE GRID LIFTER**

(75) Inventors: **Cory Thomas Borovicka**, San Francisco, CA (US); **Charles Adams**, Berkeley, CA (US)

(73) Assignee: **Charcoal Companion Incorporated**, Emeryville, CA (US)

(**) Term: **14 Years**

(21) Appl. No.: **29/294,172**

(22) Filed: **Dec. 26, 2007**

(51) **LOC (9) Cl.** **07-02**

(52) **U.S. Cl.** **D7/669; D7/688**

(58) **Field of Classification Search** D7/332, D7/334-337, 402-406, 669, 688; 126/25 R, 126/29-30, 25 A, 25 AA, 9 R, 9 B, 38, 37 R, 126/37 B, 40, 50, 43, 44, 45; 99/481-482, 99/445, 450; 294/9-12, 32
See application file for complete search history.

(56) **References Cited**

U.S. PATENT DOCUMENTS

3,032,367	A *	5/1962	Thurston	294/103.1
D246,886	S	1/1978	Malafouris		
4,471,985	A *	9/1984	Mahoney		
D282,518	S *	2/1986	Mahoney	D7/688
D312,375	S *	11/1990	Hessler	D7/368
5,071,182	A *	12/1991	Mair	294/12
5,183,304	A *	2/1993	Mair	294/10
D341,065	S *	11/1993	Martner	D7/690
D341,297	S *	11/1993	Martner	D7/368

5,346,268	A *	9/1994	Baker et al.	294/9
D358,073	S *	5/1995	Eckert	D7/368
6,000,739	A	12/1999	Zemit et al.		
D468,976	S *	1/2003	Mitchell	D7/688
6,752,441	B1 *	6/2004	Morris	294/12
7,108,304	B2 *	9/2006	White	294/10

* cited by examiner

Primary Examiner—Ruth McInroy

(74) *Attorney, Agent, or Firm*—Donald L. Beeson; Beeson Skinner Beverly

(57) **CLAIM**

The ornamental design for a barbecue grid lifter, as shown and described.

DESCRIPTION

FIG. 1 is a top perspective view of a barbecue grid lifter showing our new design;

FIG. 2 is a bottom perspective view thereof;

FIG. 3 is a front elevational view thereof;

FIG. 4 is a left side elevational view thereof, the right side being a mirror image;

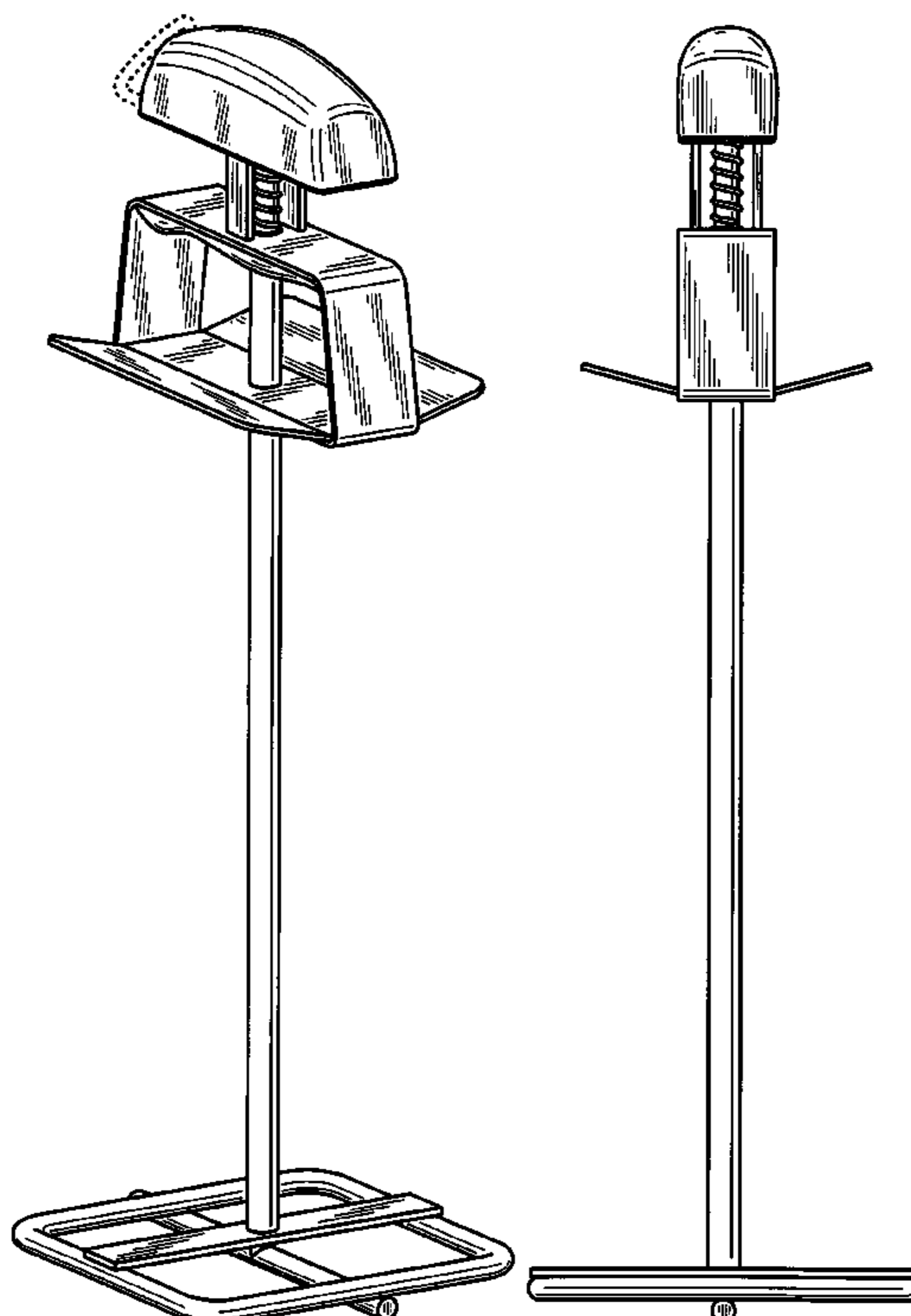
FIG. 5 is rear elevational view thereof;

FIG. 6 is a top plan view thereof; and,

FIG. 7 is a bottom plan view thereof.

The broken line showing of a ring in the handle of the barbecue grid lifter is for the purpose of illustrating environmental structure and forms no part of the claimed design.

1 Claim, 3 Drawing Sheets



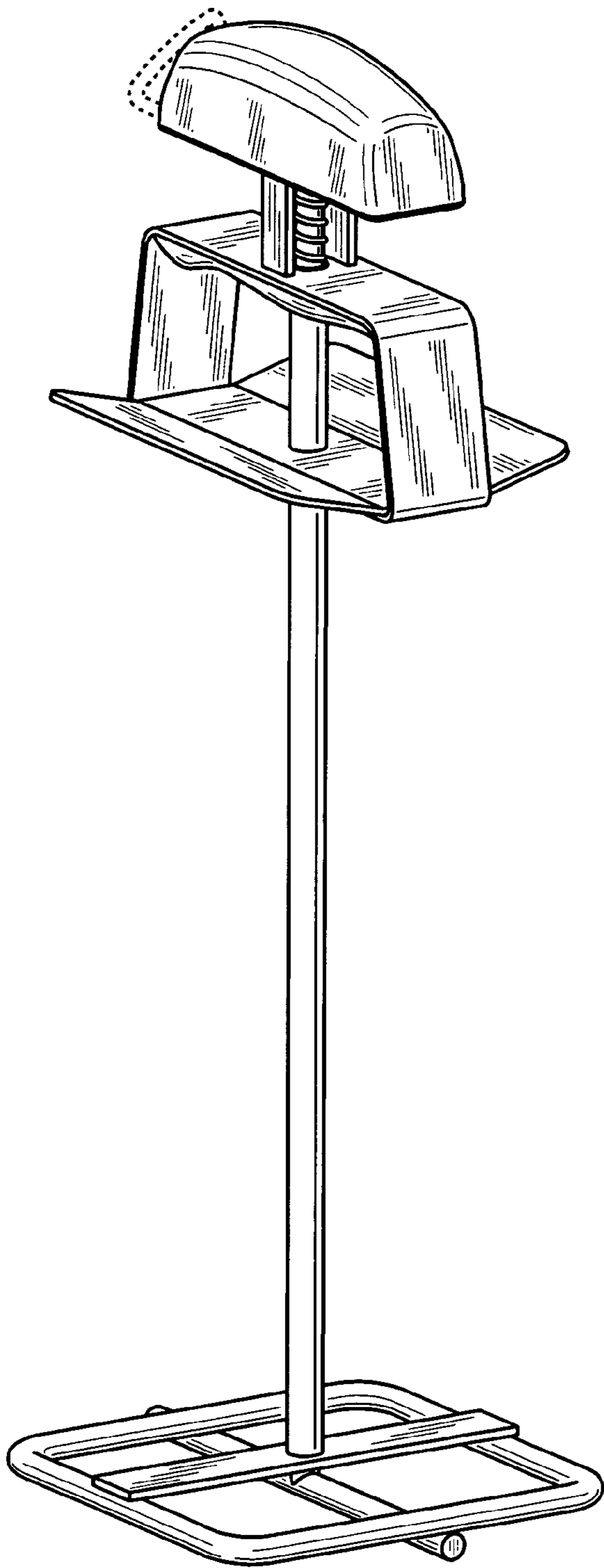


FIG. 1

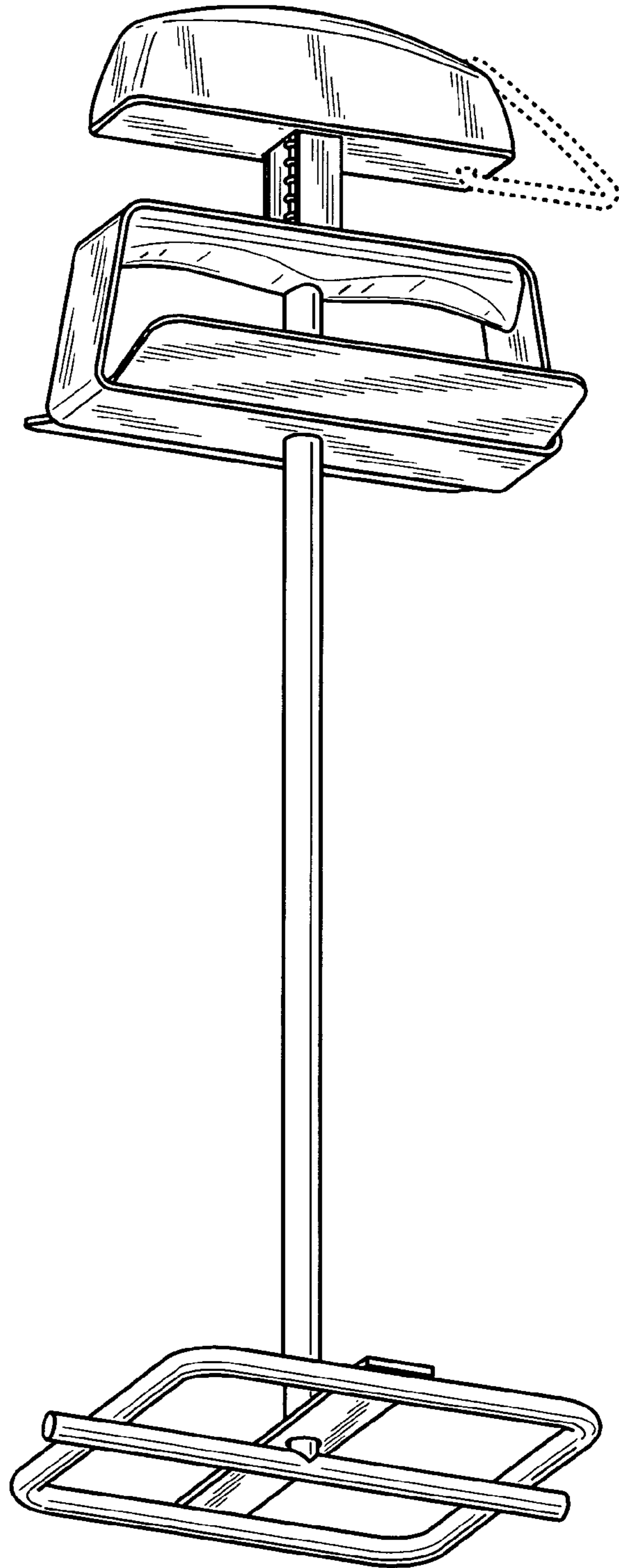


FIG. 2

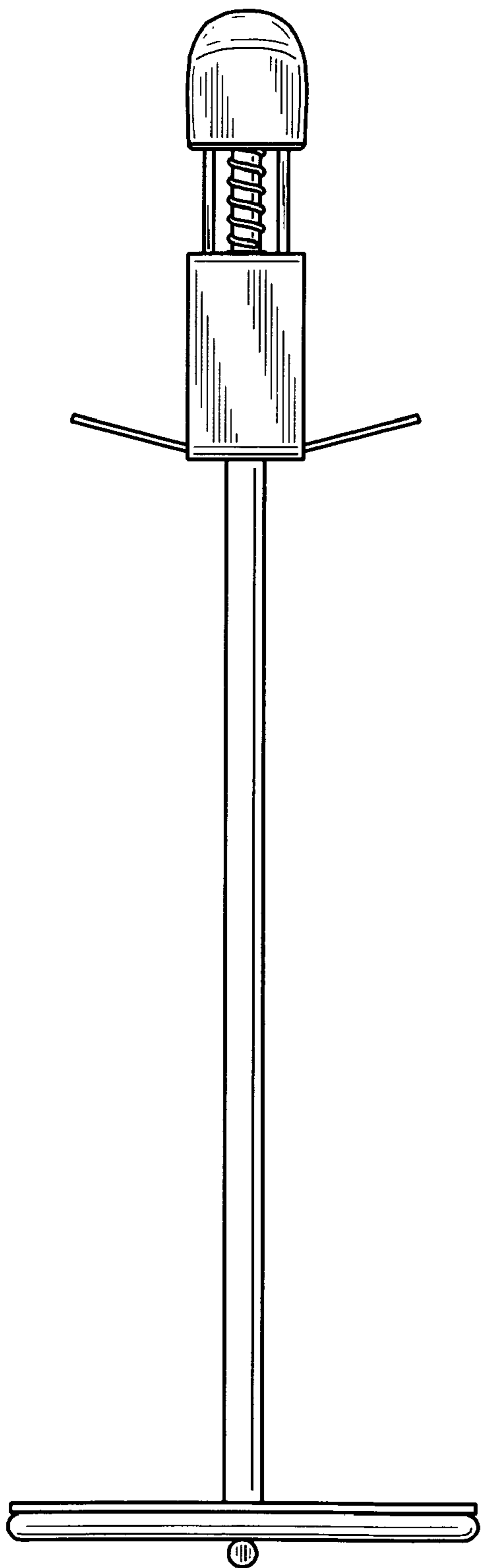


FIG. 3

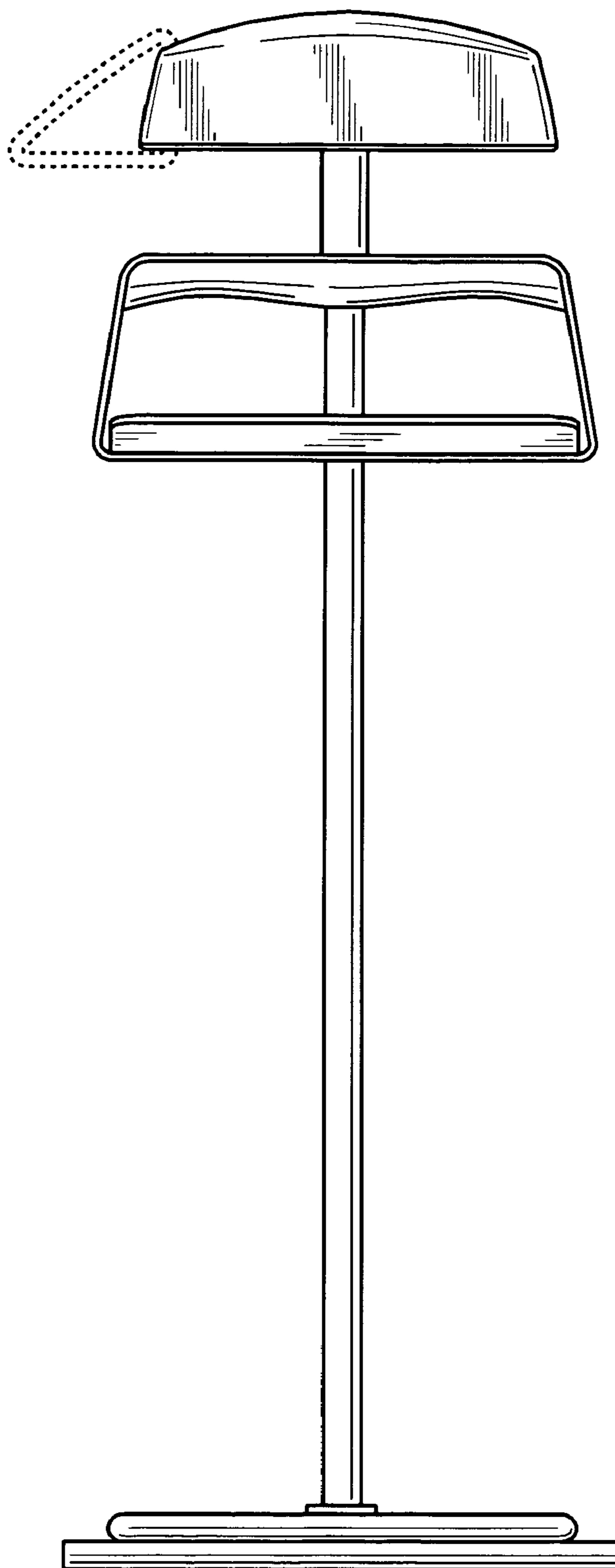


FIG. 4

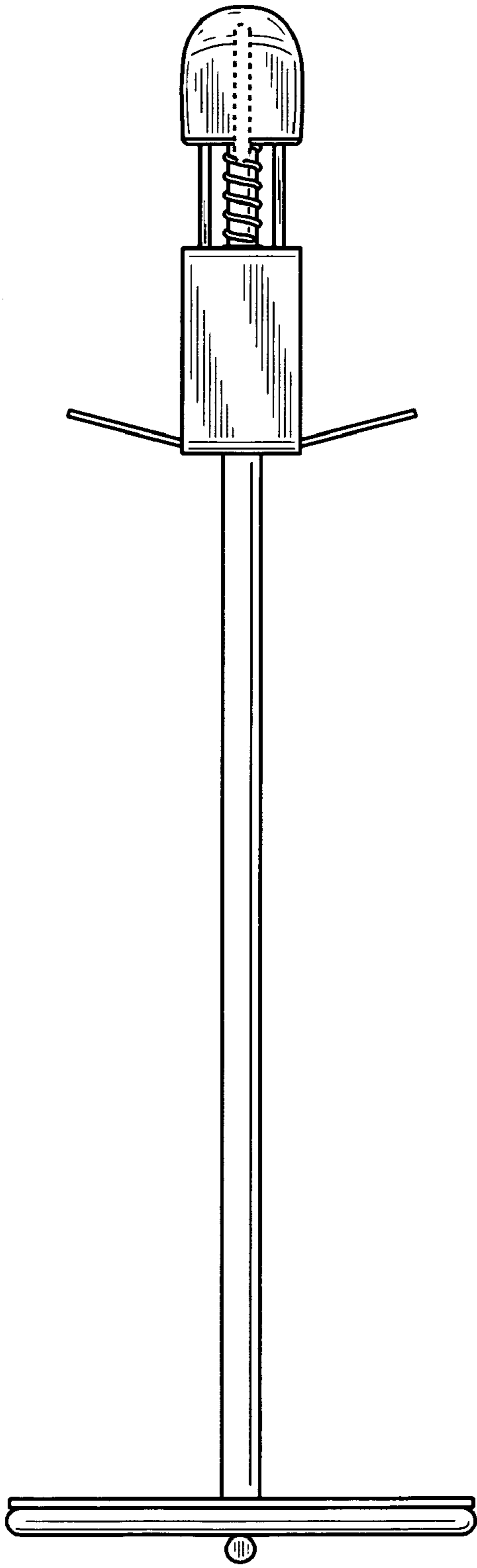


FIG. 5

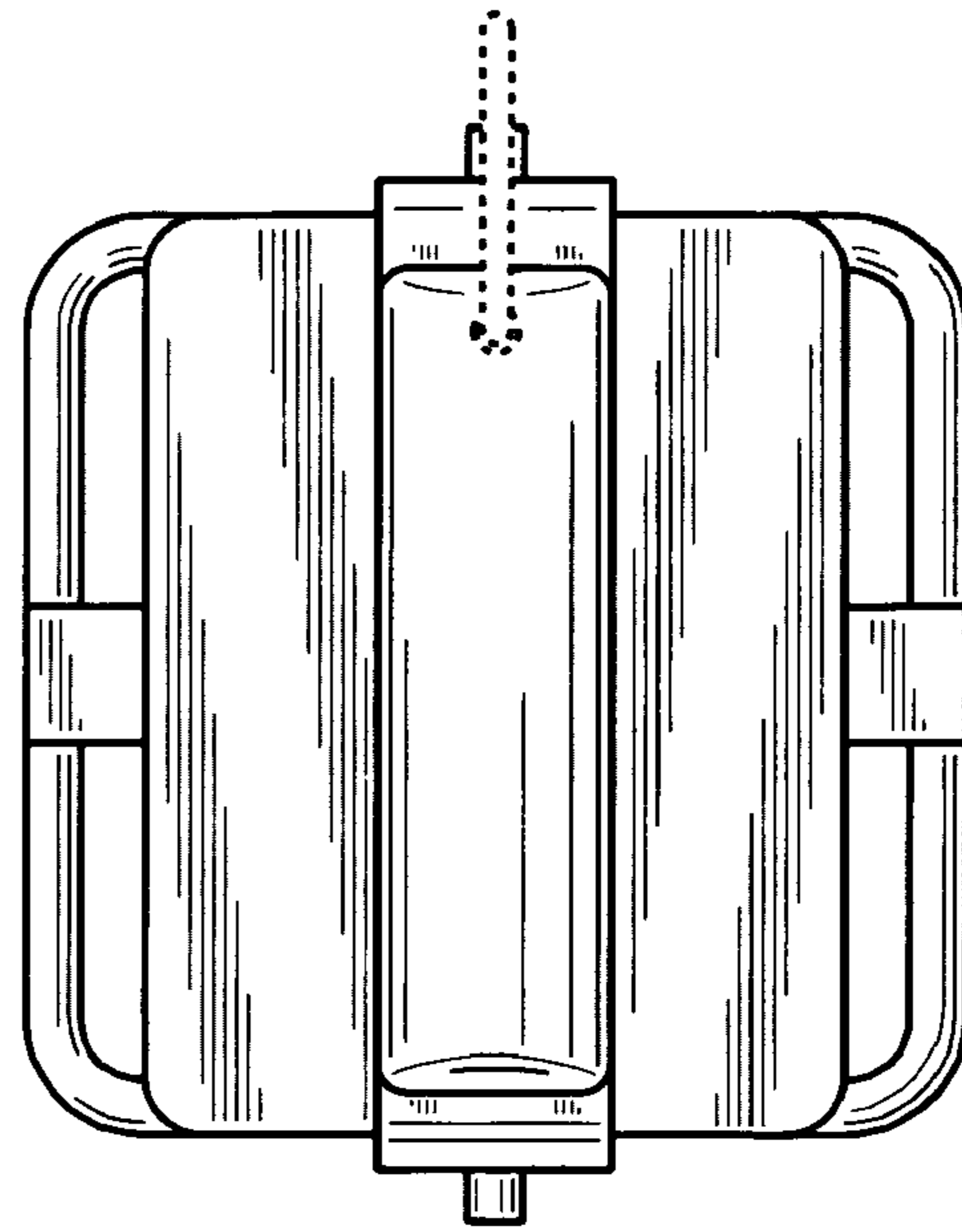


FIG. 6

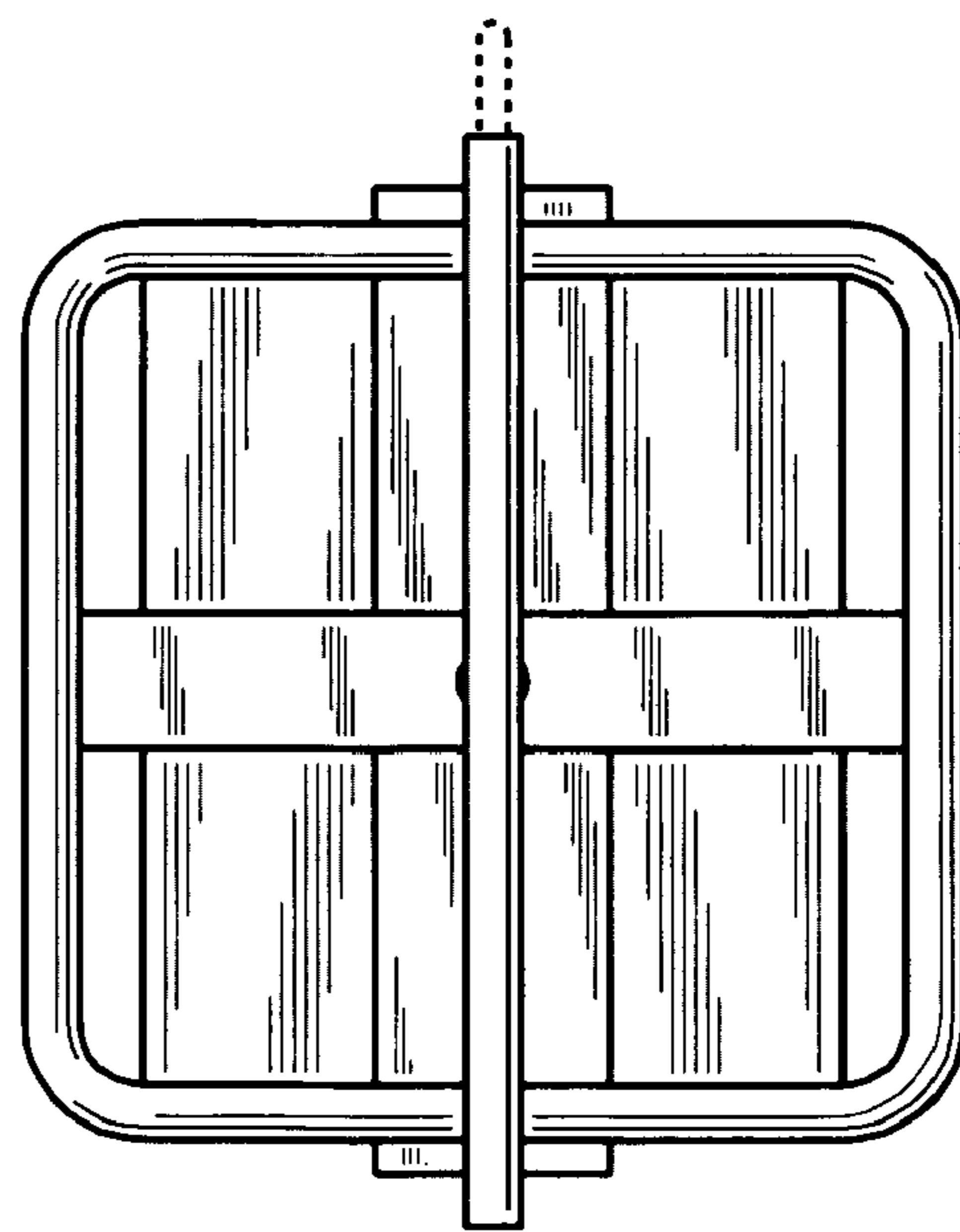


FIG. 7