



US00D604121S

(12) **United States Design Patent**
Gammack et al.

(10) **Patent No.:** **US D604,121 S**

(45) **Date of Patent:** **** Nov. 17, 2009**

(54) **JUICE EXTRACTOR**

(75) Inventors: **Peter David Gammack**, Malmesbury (GB); **James Dyson**, Malmesbury (GB); **Mark Stamford Vanderstegen-Drake**, Malmesbury (GB); **James Stuart Robertson**, Malmesbury (GB); **Mark Joseph Staniforth**, Malmesbury (GB); **Boris Zukina**, Malmesbury (GB)

(73) Assignee: **Dyson Limited**, Wiltshire (GB)

(**) Term: **14 Years**

(21) Appl. No.: **29/333,284**

(22) Filed: **Mar. 5, 2009**

(30) **Foreign Application Priority Data**

Sep. 16, 2008 (GB) 4008919

(51) **LOC (9) Cl.** **31-00**

(52) **U.S. Cl.** **D7/665**

(58) **Field of Classification Search** D7/665-668, D7/373, 374, 381, 384; 99/348, 495, 501-513, 99/357; 241/36, 37.5, 92, 100, 282.1; 426/489
See application file for complete search history.

(56) **References Cited**

U.S. PATENT DOCUMENTS

1,820,885	A	8/1931	Le Vine
1,831,561	A	11/1931	Harris
D105,779	S	8/1937	Preston
2,131,278	A	9/1938	Gough
3,416,430	A	12/1968	Hauser
3,497,281	A	2/1970	Wilde
D276,207	S	11/1984	Van Asten
4,487,115	A	12/1984	Su
4,736,896	A	4/1988	Wagner

(Continued)

FOREIGN PATENT DOCUMENTS

DE 7436237 8/1975

EP	0153549	9/1985
EP	0236549	9/1987
EP	0736279	10/1996
EP	0804894	11/1997
EP	0864510	9/1998

(Continued)

OTHER PUBLICATIONS

International Search Report and Written Opinion mailed Aug. 13, 2008 directed to related international application PCT/GB2008/000941; (13 pages).

(Continued)

Primary Examiner—Terry A Wallace

(74) *Attorney, Agent, or Firm*—Morrison & Foerster LLP

(57) **CLAIM**

We claim the ornamental design for a juice extractor, as shown and described.

DESCRIPTION

FIG. 1 is a front perspective view of a hot water dispenser showing our new design;

FIG. 2 is a front perspective view of the design of FIG. 1 showing the extension of a spout therefrom;

FIG. 3 is a front perspective view of the design of FIG. 1 showing the opening of a door on the top surface thereof;

FIG. 4 is a front view thereof;

FIG. 5 is a side view thereof;

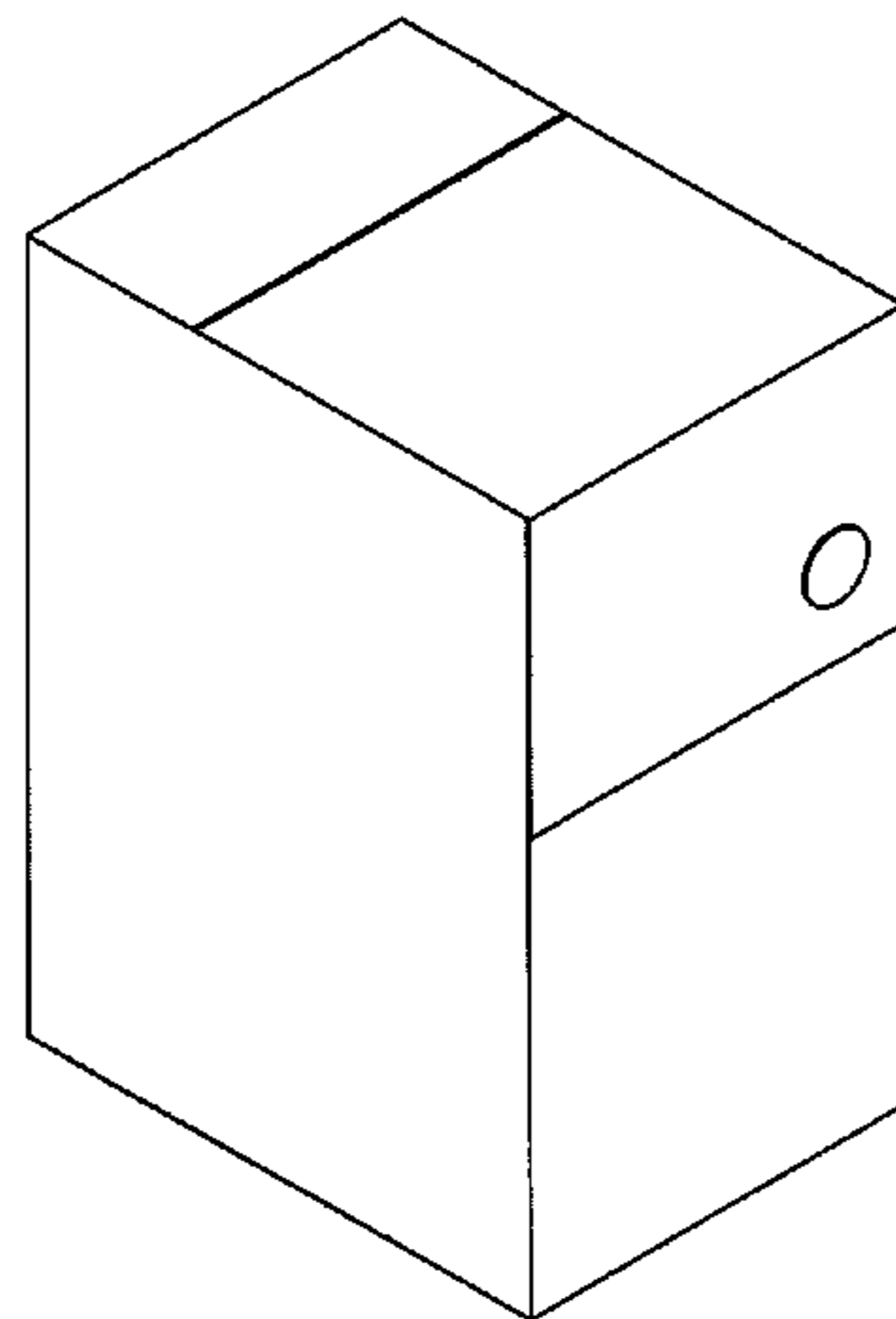
FIG. 6 is a side view from the opposite side of FIG. 5;

FIG. 7 is a top plan view thereof; and,

FIG. 8 is an underneath plan view thereof.

The features of the design as claimed by applicants are shown in bold lines. The features shown in dotted lines are not claimed and are provided to indicate the context of the design. The rear view does not contain features of the design applicants intend to claim and is accordingly omitted.

1 Claim, 8 Drawing Sheets



US D604,121 S

Page 2

U.S. PATENT DOCUMENTS

4,936,515	A	6/1990	Poag et al.	
4,971,259	A	11/1990	Nidiffer	
4,974,751	A	12/1990	King	
5,172,868	A	12/1992	Midden	
5,570,816	A	11/1996	LaBarbera, Jr.	
5,632,449	A	5/1997	Sandolo	
6,019,030	A	2/2000	Kettman	
6,267,044	B1	7/2001	Friel	
6,484,626	B1 *	11/2002	Tsai et al.	99/495
D475,234	S	6/2003	Takase et al.	
6,675,700	B2	1/2004	Hong	
6,860,764	B2	3/2005	Khoury	
7,189,945	B2	3/2007	Starr et al.	
D547,136	S *	7/2007	Spagnolo	D7/665
D552,411	S *	10/2007	Plante et al.	D7/368
7,354,612	B2	4/2008	Friel	
2005/0178757	A1	8/2005	Starr	
2008/0277512	A1	11/2008	Vuijk	
2009/0095728	A1	4/2009	Dyson et al.	
2009/0095729	A1	4/2009	Dyson et al.	
2009/0139409	A1	6/2009	Hall et al.	

FOREIGN PATENT DOCUMENTS

EP	1323367	7/2003
EP	1493366	1/2005
FR	2544185	10/1984
GB	2253178	9/1992

JP	59-55157	3/1984
RU	2076573	4/1997
SU	1540776	12/1987
WO	WO-00/27262 A1	5/2000
WO	WO-01/48711	7/2001
WO	WO-01/52704 A1	7/2001
WO	WO-2004/105184	12/2004

OTHER PUBLICATIONS

GB Search Report, dated Feb. 1, 2008, directed to related GB Application No. GB0720147.8; (1 page).

GB Search Report, dated Jul. 16, 2007, directed to related GB Application No. GB0705363.0; (1 page).

GB Search Report, dated Aug. 30, 2007, directed to related GB Application No. GB0705363.0; (2 pages).

International Search Report and Written Opinion mailed Mar. 20, 2009 directed to related international application PCT/GB2008/003267; (10 pages).

GB Search Report, dated Apr. 10, 2008, directed to related GB Application No. GB0723541.9; (1 page).

GB Search Report, dated Feb. 26, 2009, directed to related GB Application No. GB0820141.0; (1 page).

International Search Report and Written Opinion mailed Mar. 20, 2009 directed to related international application PCT/GB2008/003266; (10 pages).

GB Search Report, dated Feb. 14, 2008, directed to related GB Application No. GB0720132.0; (1 page).

* cited by examiner

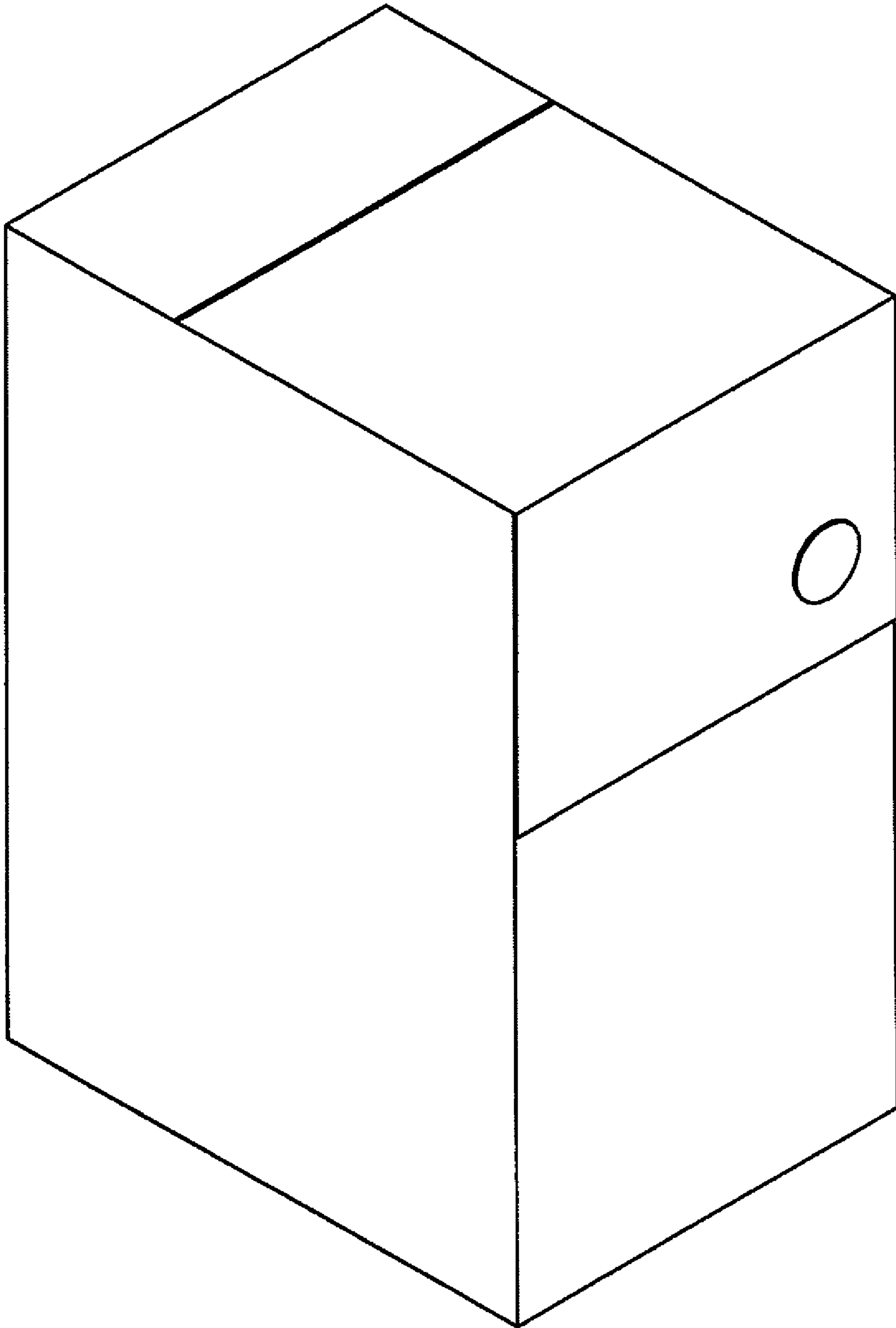


FIG. 1

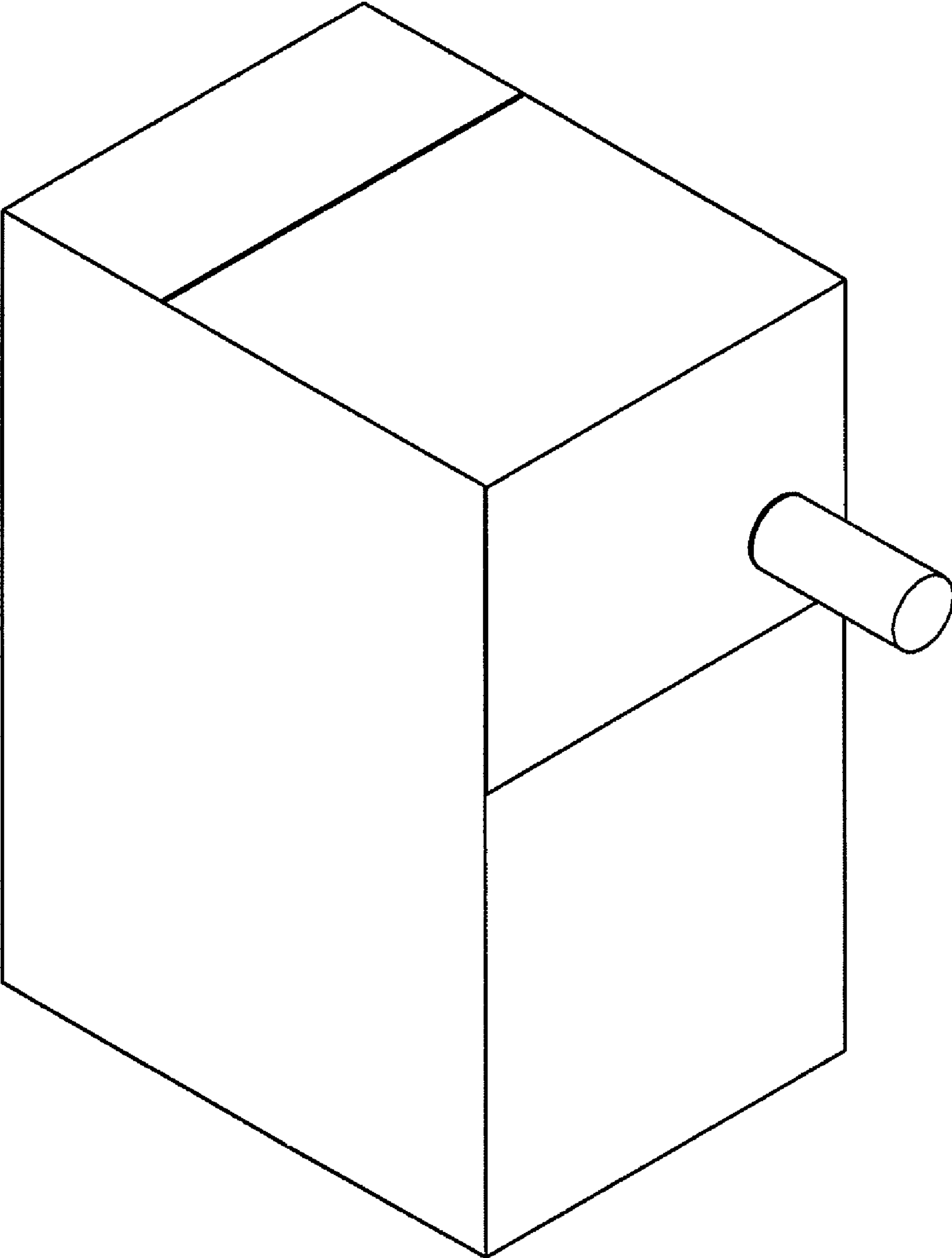


FIG. 2

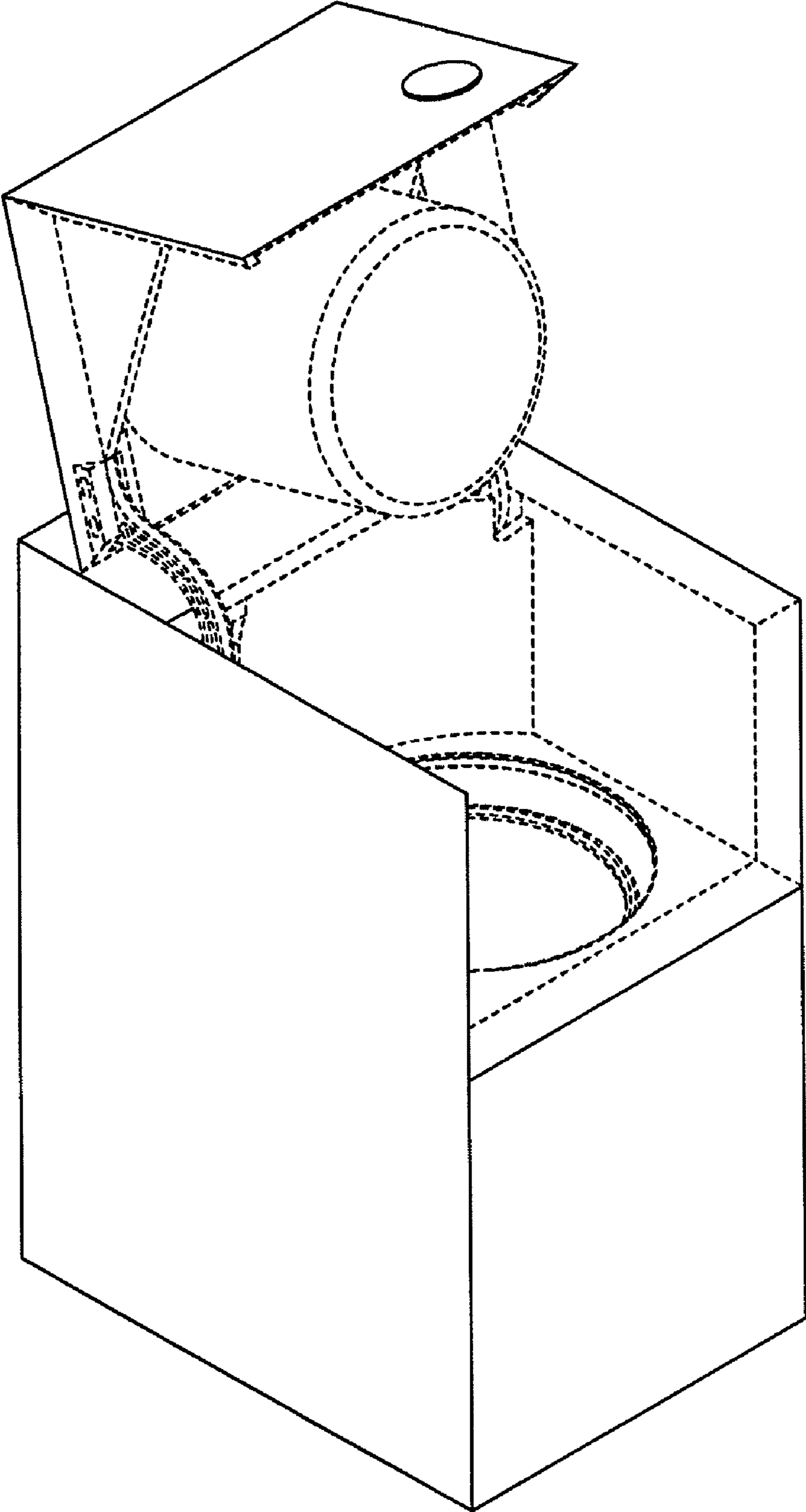


FIG. 3

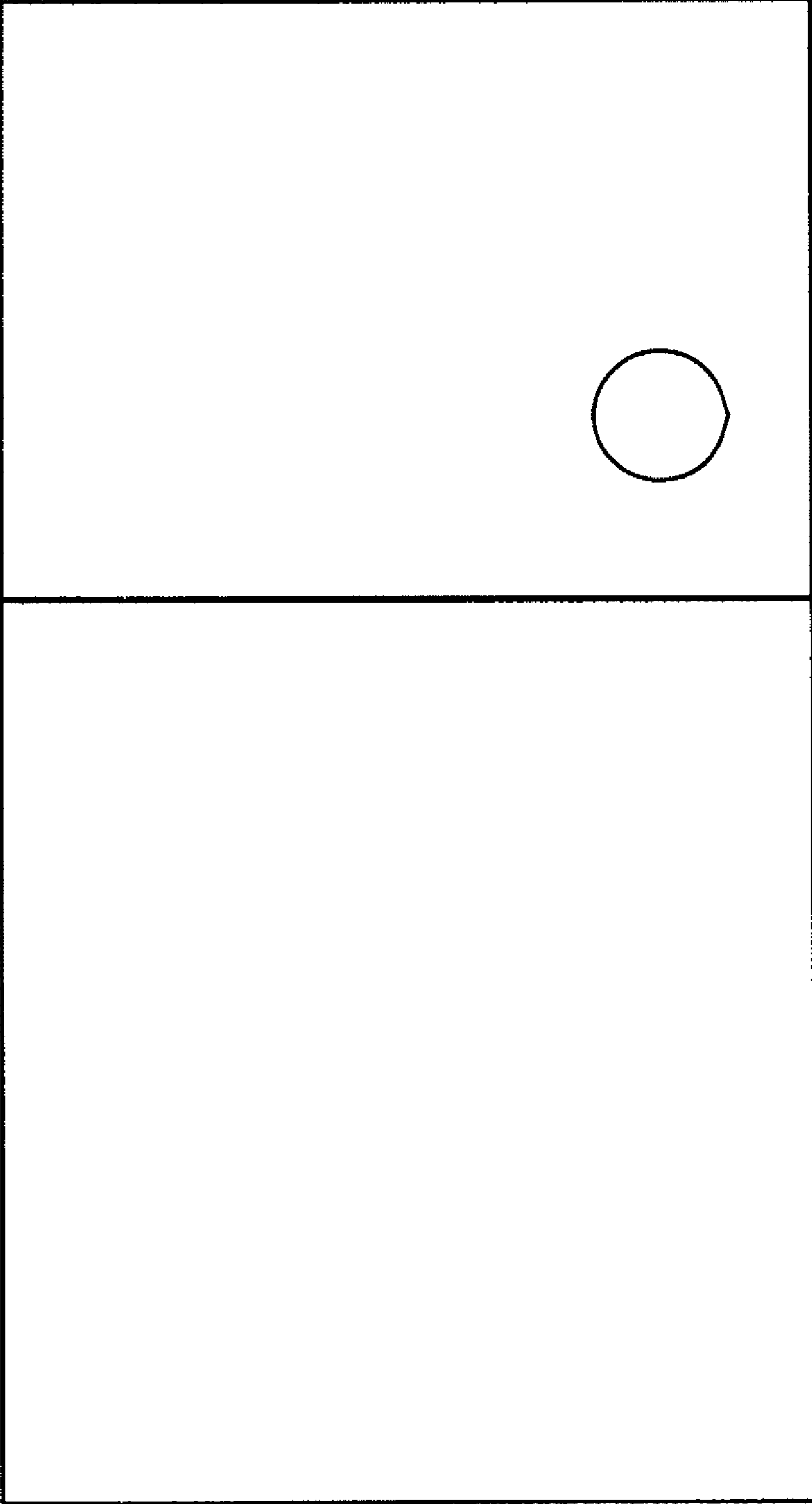


FIG. 4

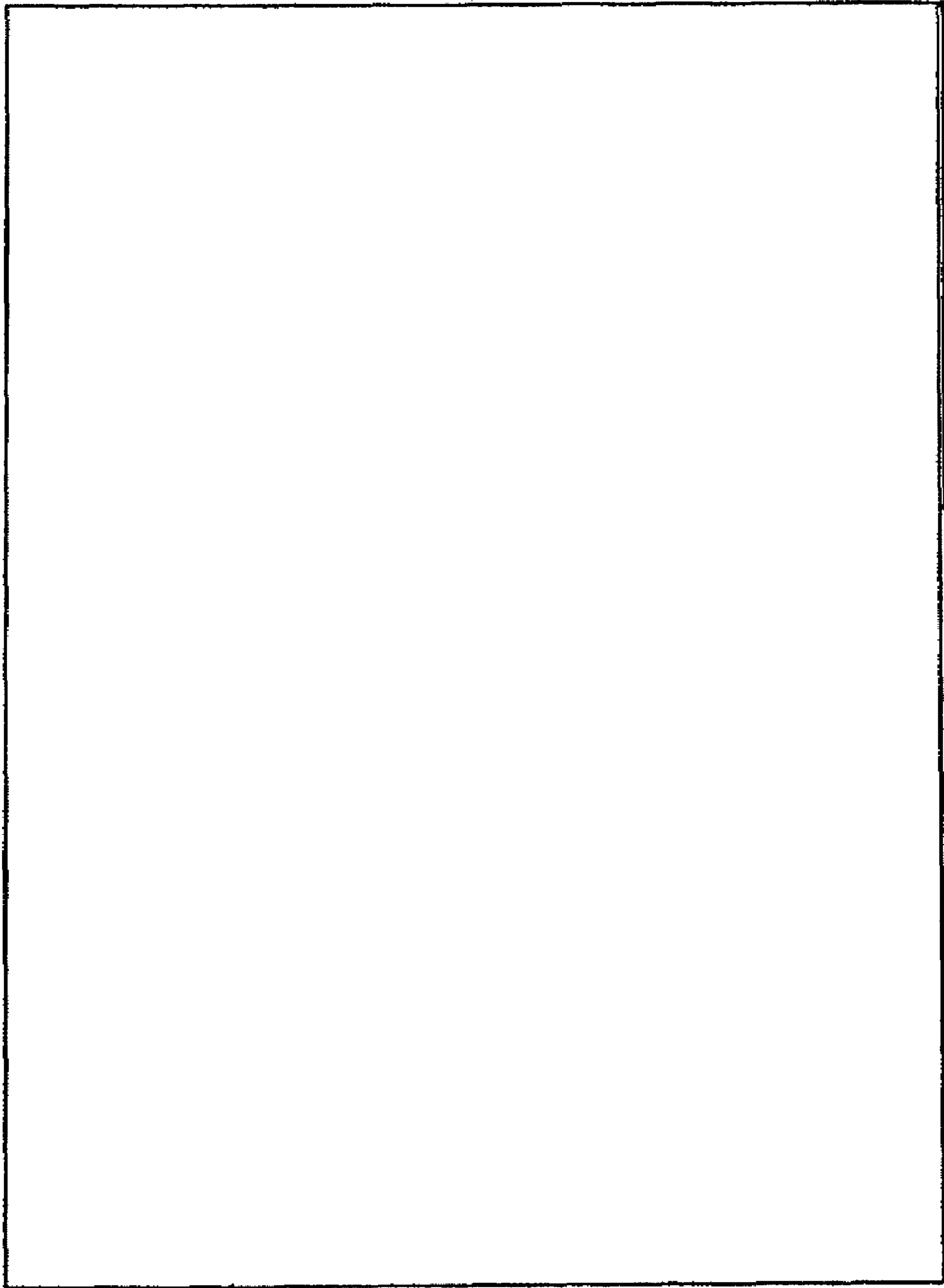


FIG. 5

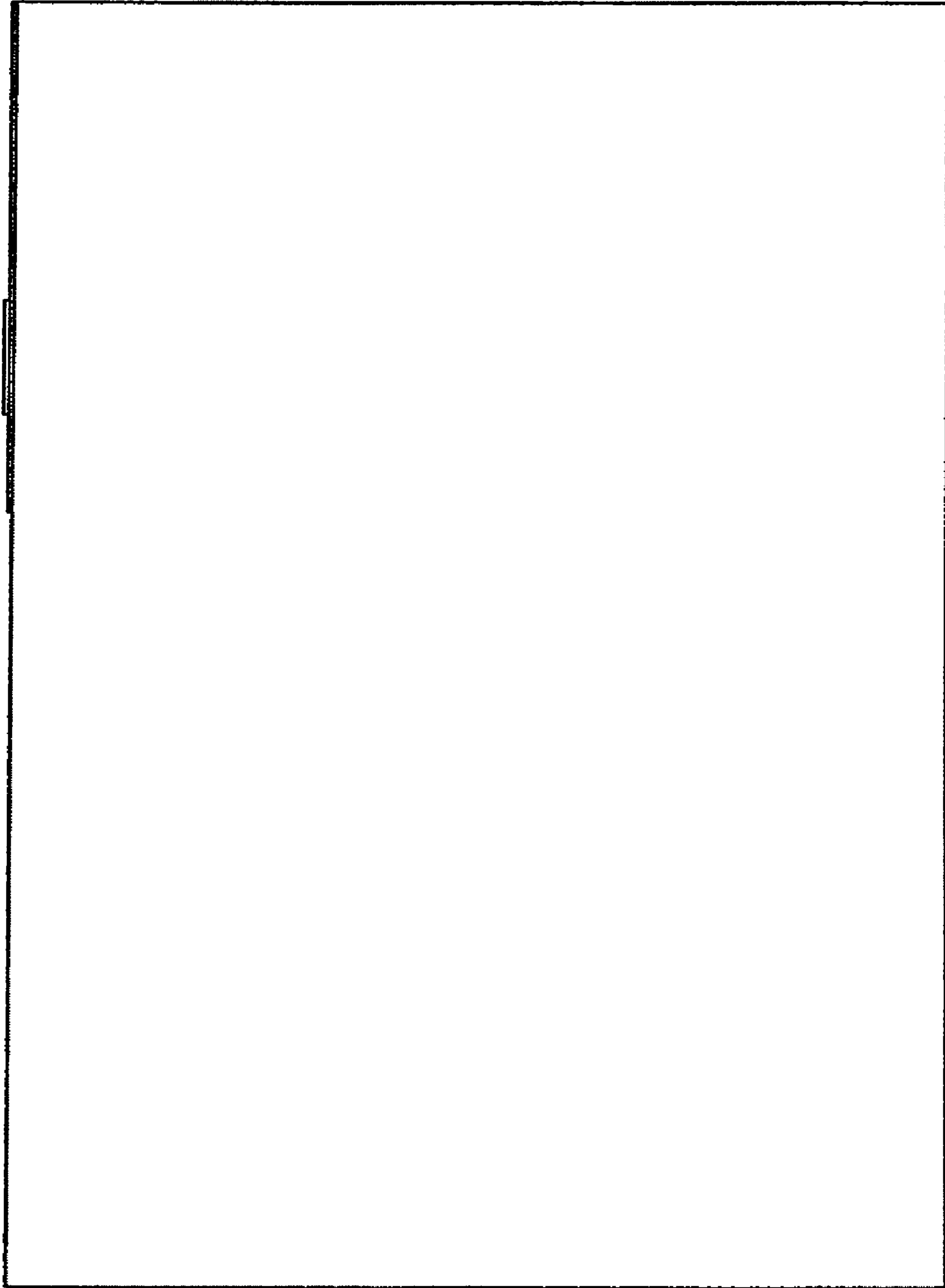


FIG. 6

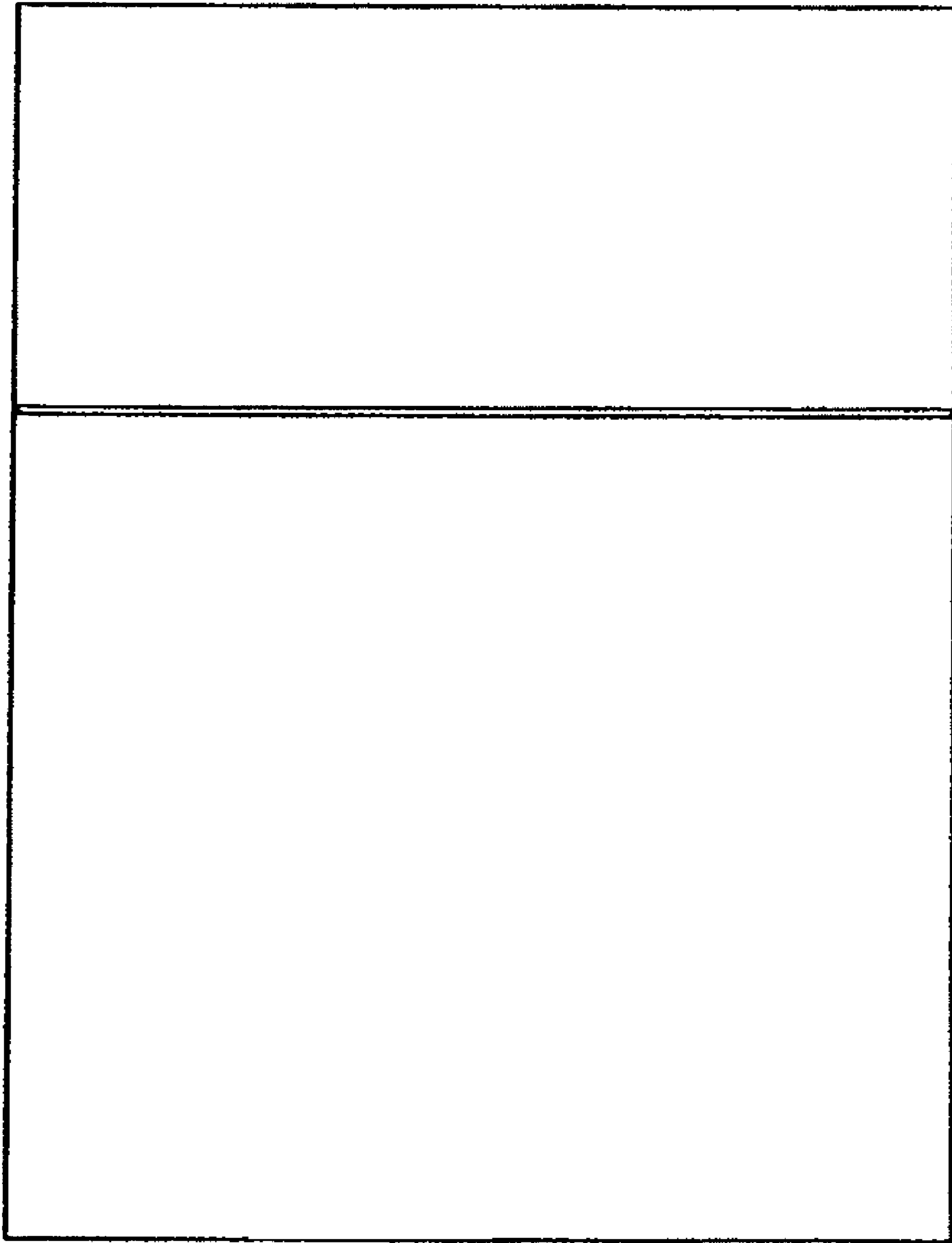


FIG. 7

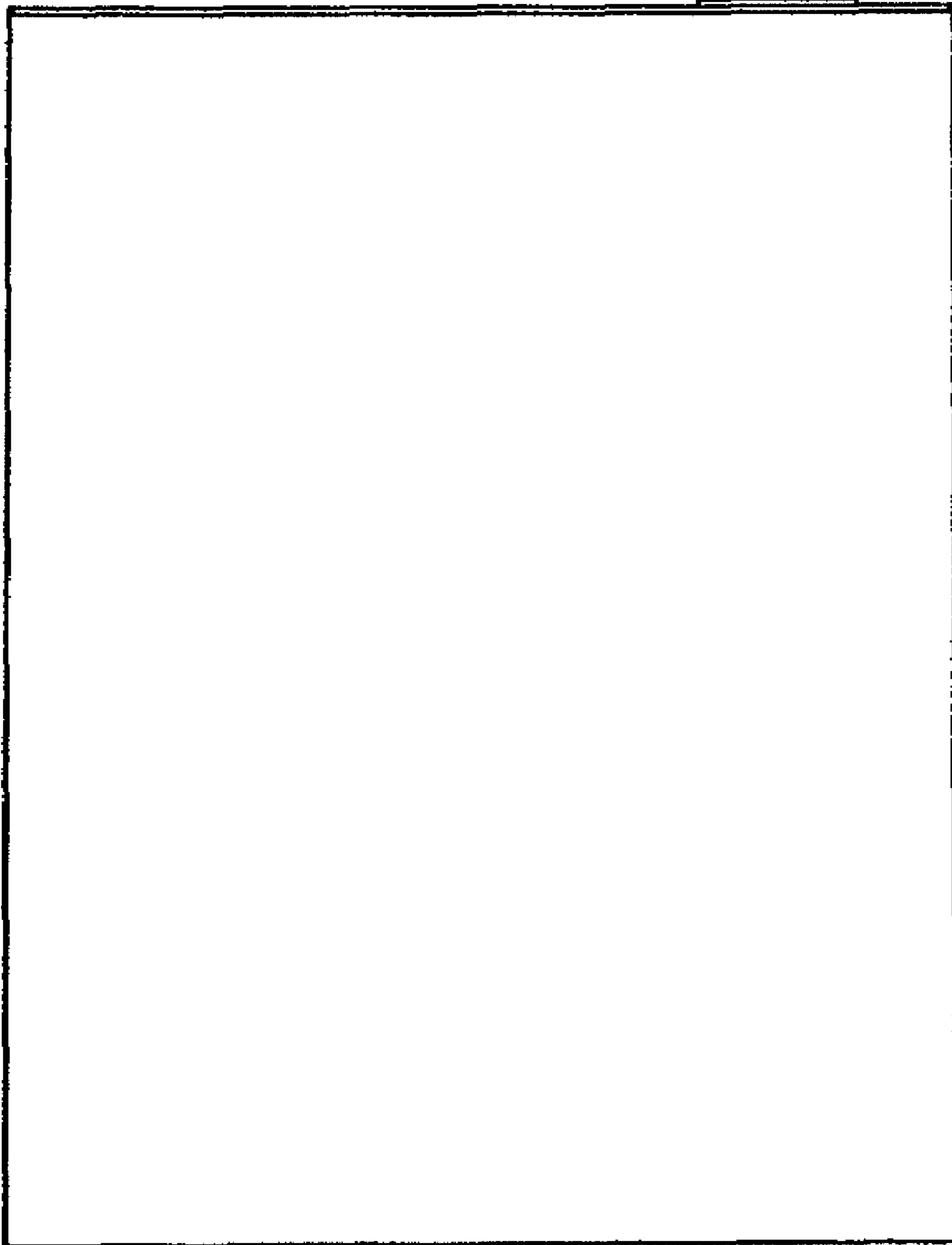


FIG. 8