



US00D604119S

(12) **United States Design Patent**  
**Kim**

(10) **Patent No.:** **US D604,119 S**

(45) **Date of Patent:** **\*\* Nov. 17, 2009**

(54) **AIRTIGHT CONTAINER FOR FOOD STORAGE**

(75) Inventor: **Chang Ho Kim**, Seoul (KR)

(73) Assignee: **Lock & Lock Co., Ltd.**, Asan (KR)

(\*\*) Term: **14 Years**

(21) Appl. No.: **29/325,742**

(22) Filed: **Oct. 6, 2008**

(30) **Foreign Application Priority Data**

Apr. 11, 2008 (KR) ..... 30-2008-0015449

(51) **LOC (9) Cl.** ..... **07-07**

(52) **U.S. Cl.** ..... **D7/629**

(58) **Field of Classification Search** ..... D7/602,  
D7/629, 538-542; 220/780-806, 574-575,  
220/326; D9/425-432

See application file for complete search history.

(56) **References Cited**

**U.S. PATENT DOCUMENTS**

D447,917 S \* 9/2001 Miller et al. .... D7/629

D482,936 S \* 12/2003 Miller et al. .... D7/629

D488,031 S \* 4/2004 Kim ..... D7/629

D490,277 S \* 5/2004 Kim ..... D7/629

D493,073 S \* 7/2004 Kim ..... D7/629

6,793,096 B1 \* 9/2004 Seok ..... 220/788

D523,296 S \* 6/2006 Kim ..... D7/629

D527,588 S \* 9/2006 de Groote et al. .... D7/693

D575,115 S \* 8/2008 Zimmerman ..... D7/629

2005/0035125 A1 \* 2/2005 Bae ..... 220/326

\* cited by examiner

*Primary Examiner*—Terry A Wallace

(57) **CLAIM**

The ornamental design for the airtight container for food storage, as shown and described.

**DESCRIPTION**

FIG. 1 is a perspective view of the airtight container for food storage showing my new design;

FIG. 2 is a front elevational view thereof, where the rear elevational view is symmetrical with the front elevational view;

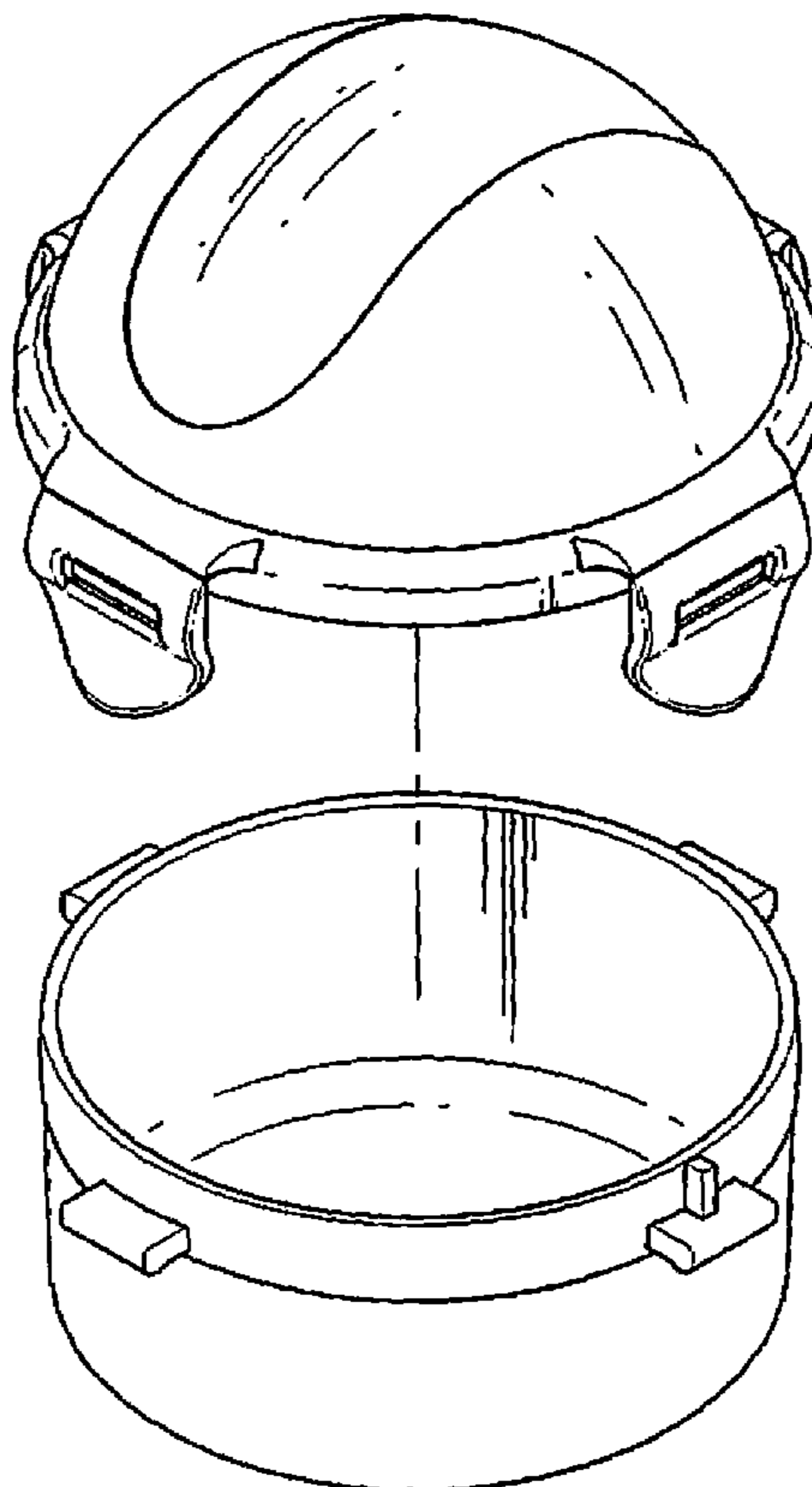
FIG. 3 is a left side elevational view thereof, where the right elevational view is symmetrical with the left elevational view;

FIG. 4 is a top plan view thereof;

FIG. 5 is a bottom plan view thereof; and,

FIG. 6 is a reference view thereof which shows a state when a lid and a container are separated.

**1 Claim, 6 Drawing Sheets**



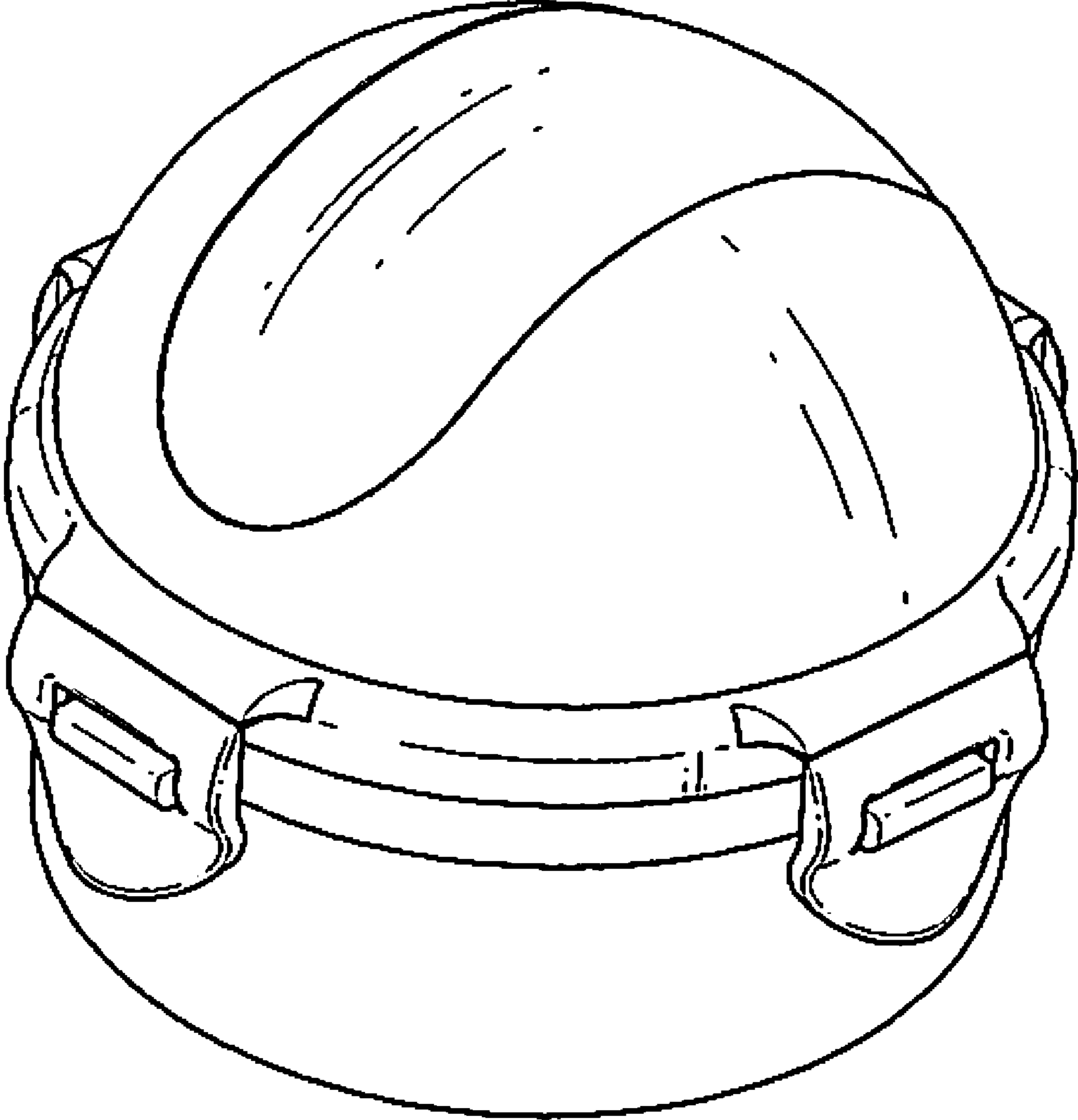


FIG. 1

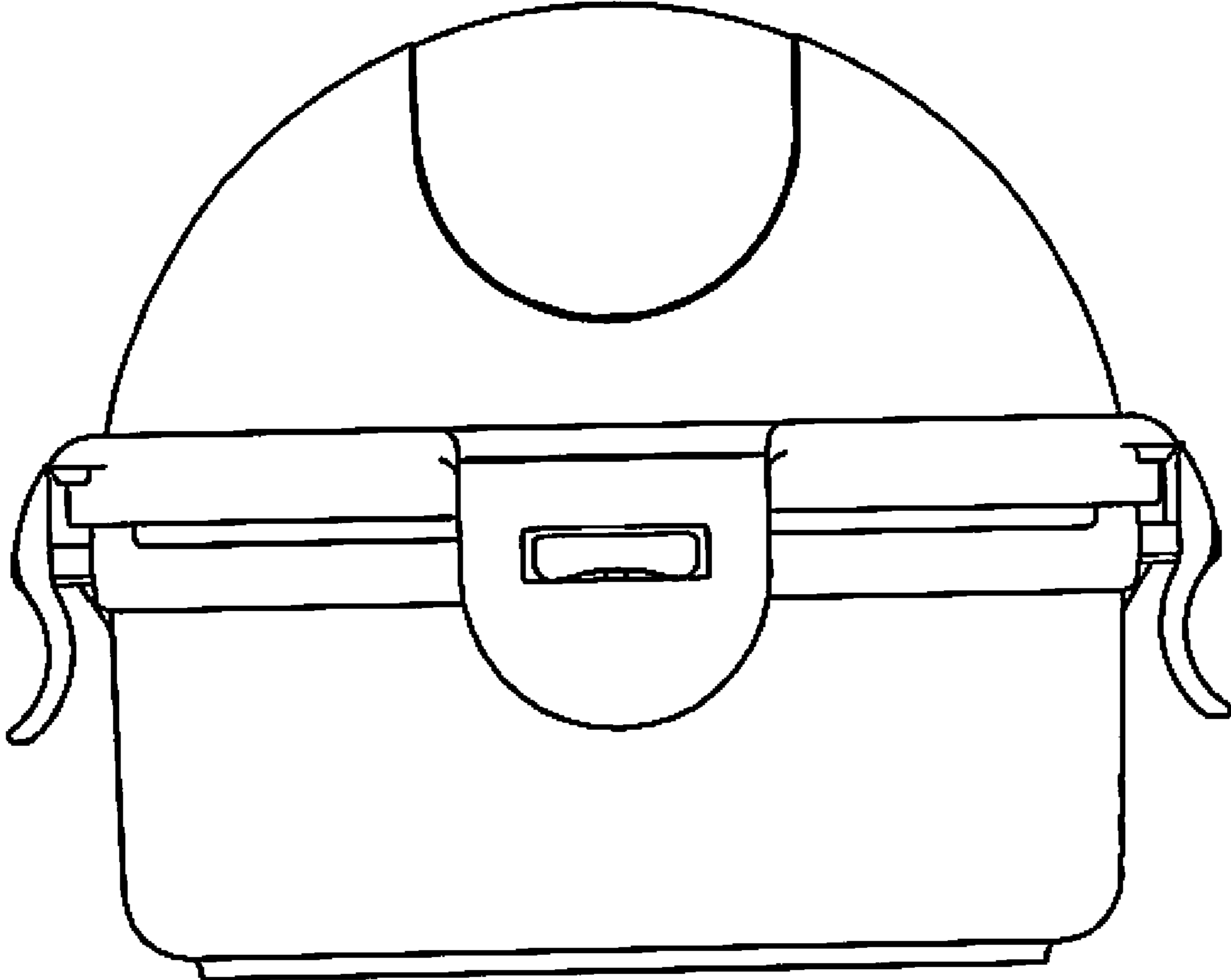


FIG. 2

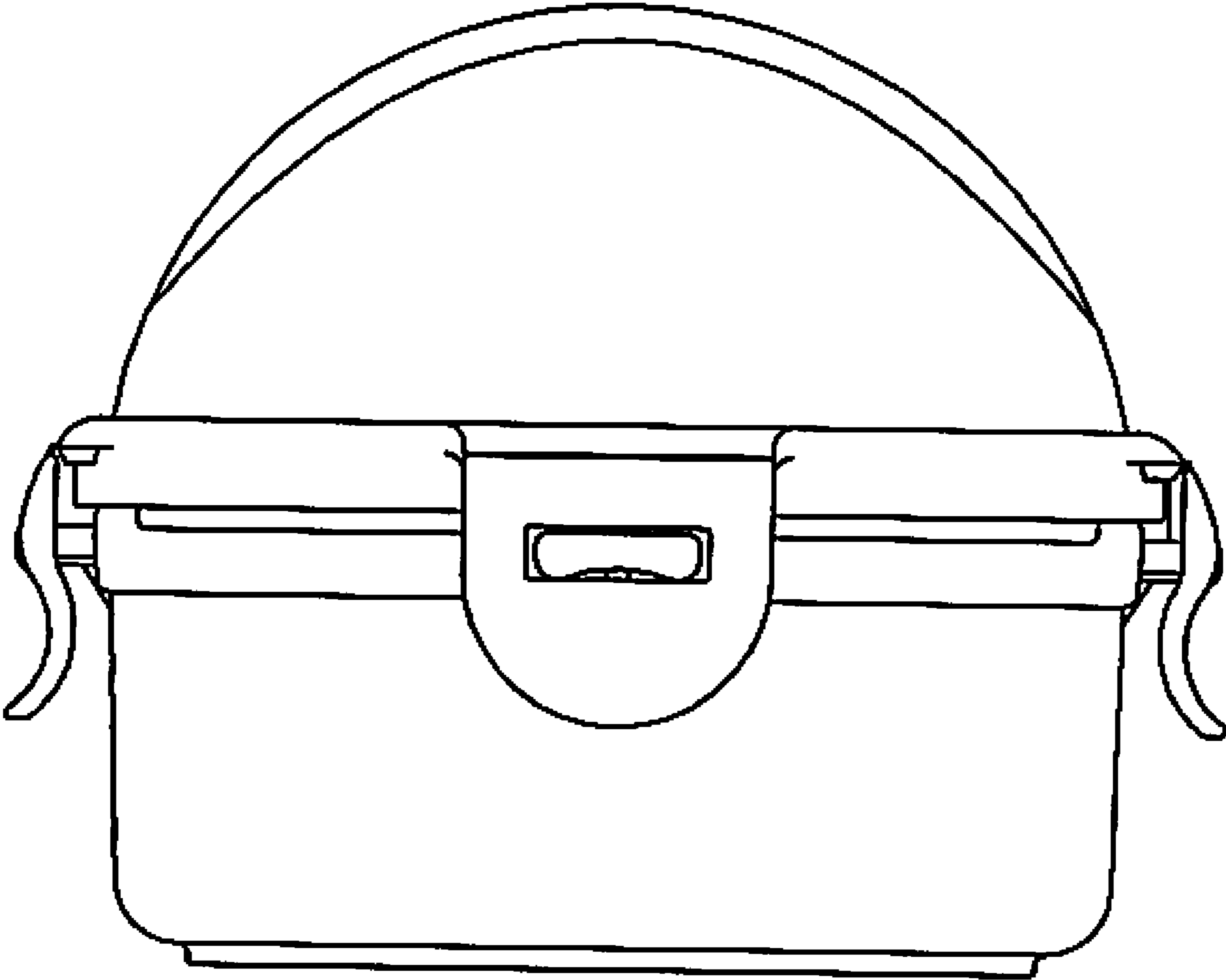


FIG. 3

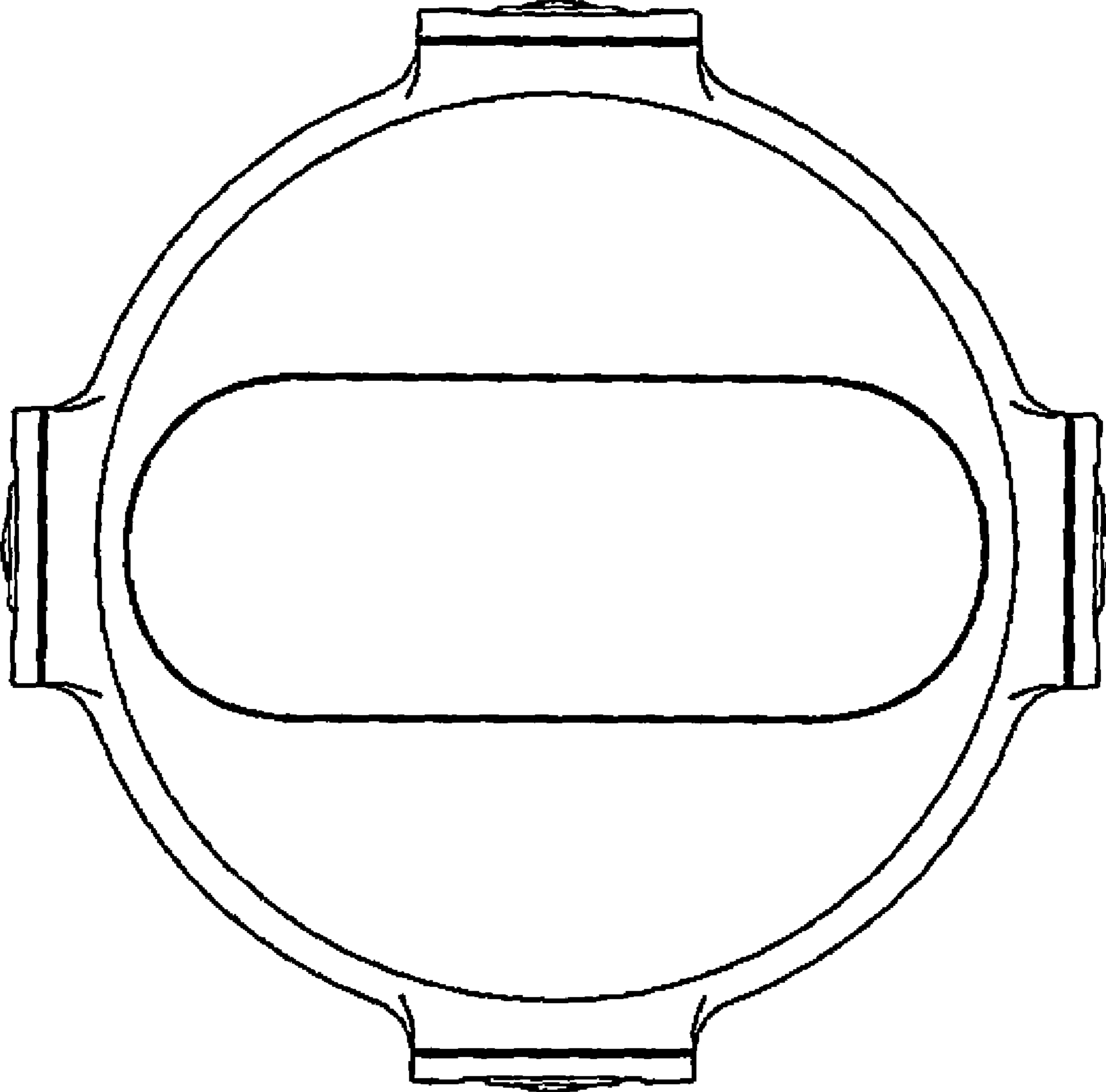


FIG. 4

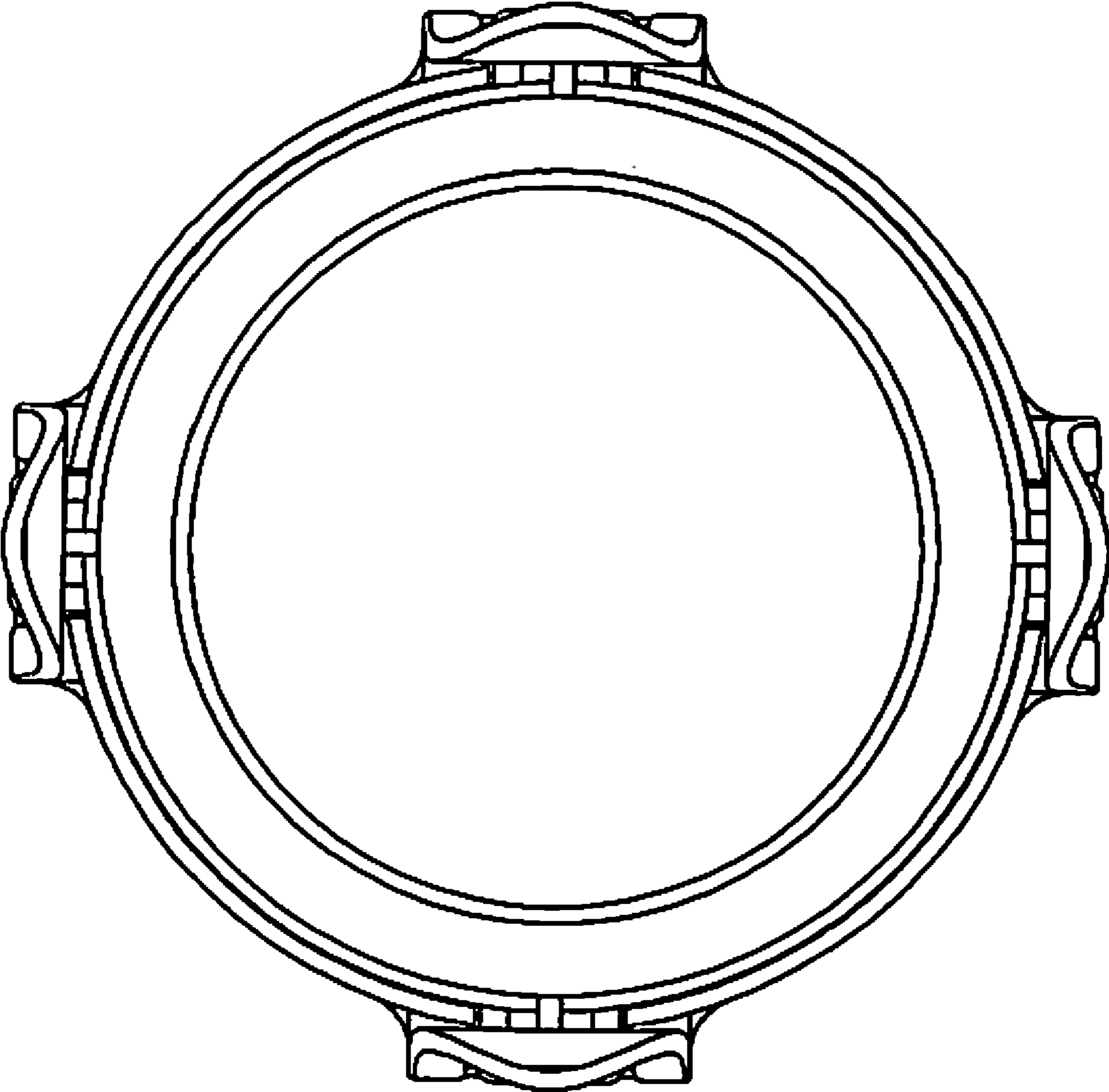


FIG. 5

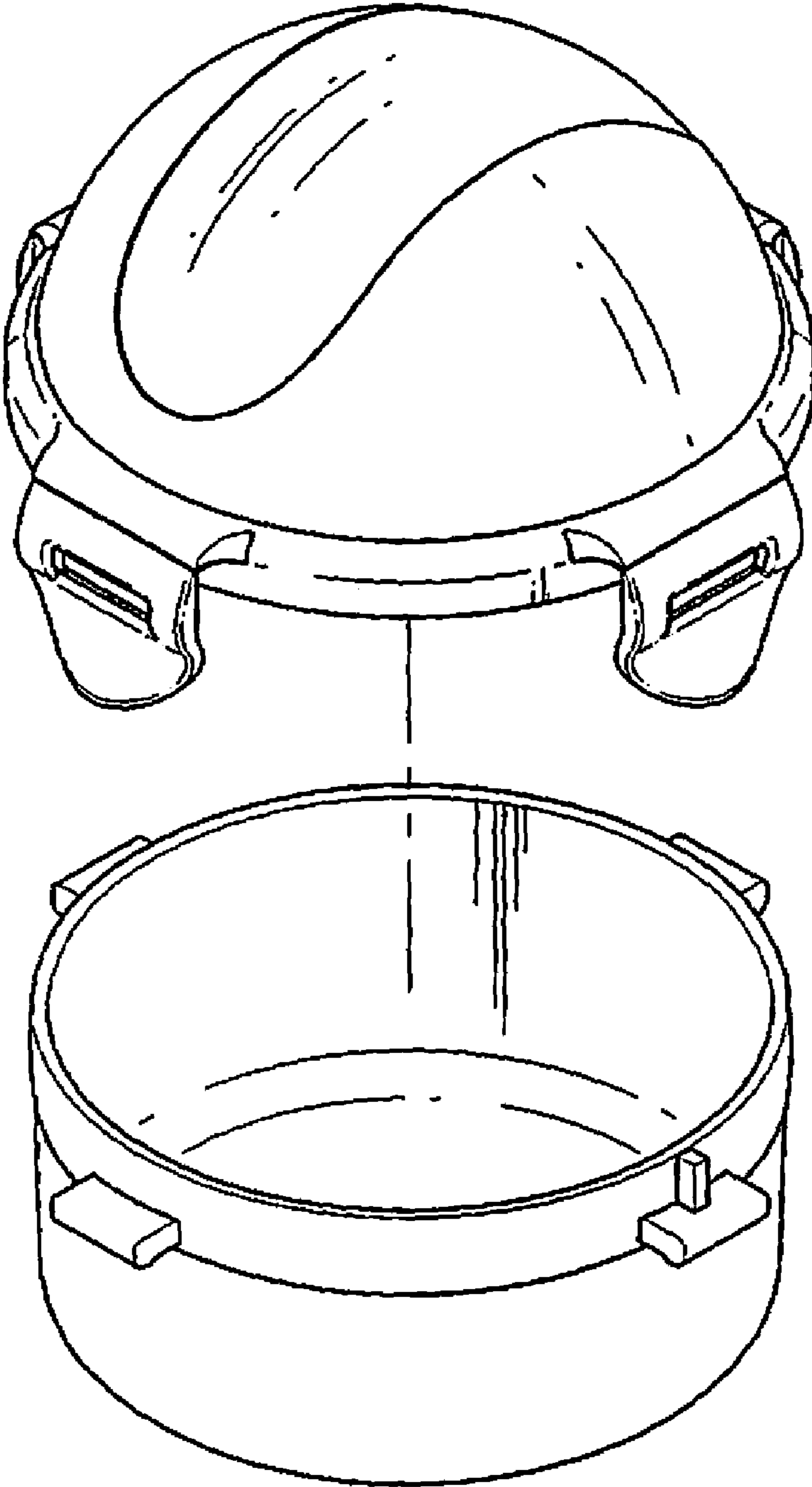


FIG. 6