



US00D604117S

(12) **United States Design Patent**
Braidotti

(10) **Patent No.:** **US D604,117 S**

(45) **Date of Patent:** **** Nov. 17, 2009**

(54) **FOOD CONTAINER**

D562,082 S * 2/2008 Ehrenhaus et al. D7/628

(76) Inventor: **Nely Cristina Braidotti**, Alameda Dos
Sem-Fim, 149, Vale do Igapo, 17037-110
- Bauru-SP (BR)

* cited by examiner

Primary Examiner—Terry A Wallace

(74) *Attorney, Agent, or Firm*—Schmeiser, Olsen & Watts

(**) Term: **14 Years**

(57) **CLAIM**

(21) Appl. No.: **29/336,581**

The ornamental design for a food container, as shown and described.

(22) Filed: **May 6, 2009**

(30) **Foreign Application Priority Data**

Nov. 6, 2008 (BR) DI6804604

DESCRIPTION

(51) **LOC (9) Cl.** **07-07**

The present application refers to a new and original food container that consists of a house-hold instrument used to packaging food products.

(52) **U.S. Cl.** **D7/628; D9/644**

The food container has a new, exclusive and modern design which provides the product an esthetic appeal.

(58) **Field of Classification Search** D7/629,
D7/628, 506, 539, 604, 606, 675, 676, 610;
D9/643, 644, 645, 600; D1/104, 106, 115;
D3/270, 271.1, 271.8; 206/457, 551

FIG. 1 shows an upper perspective view of the food container, FIG. 2 shows a bottom perspective view of the food container, FIG. 3 shows an upper view of the food container, FIG. 4 shows a bottom view of the food container, FIG. 5 shows any side view of the food container; and, FIG. 6 shows a front view of the food container.

See application file for complete search history.

The FIGS. 1, 2, 3, 4, 5 and 6 show that the food container consists of a sweet pepper format.

(56) **References Cited**

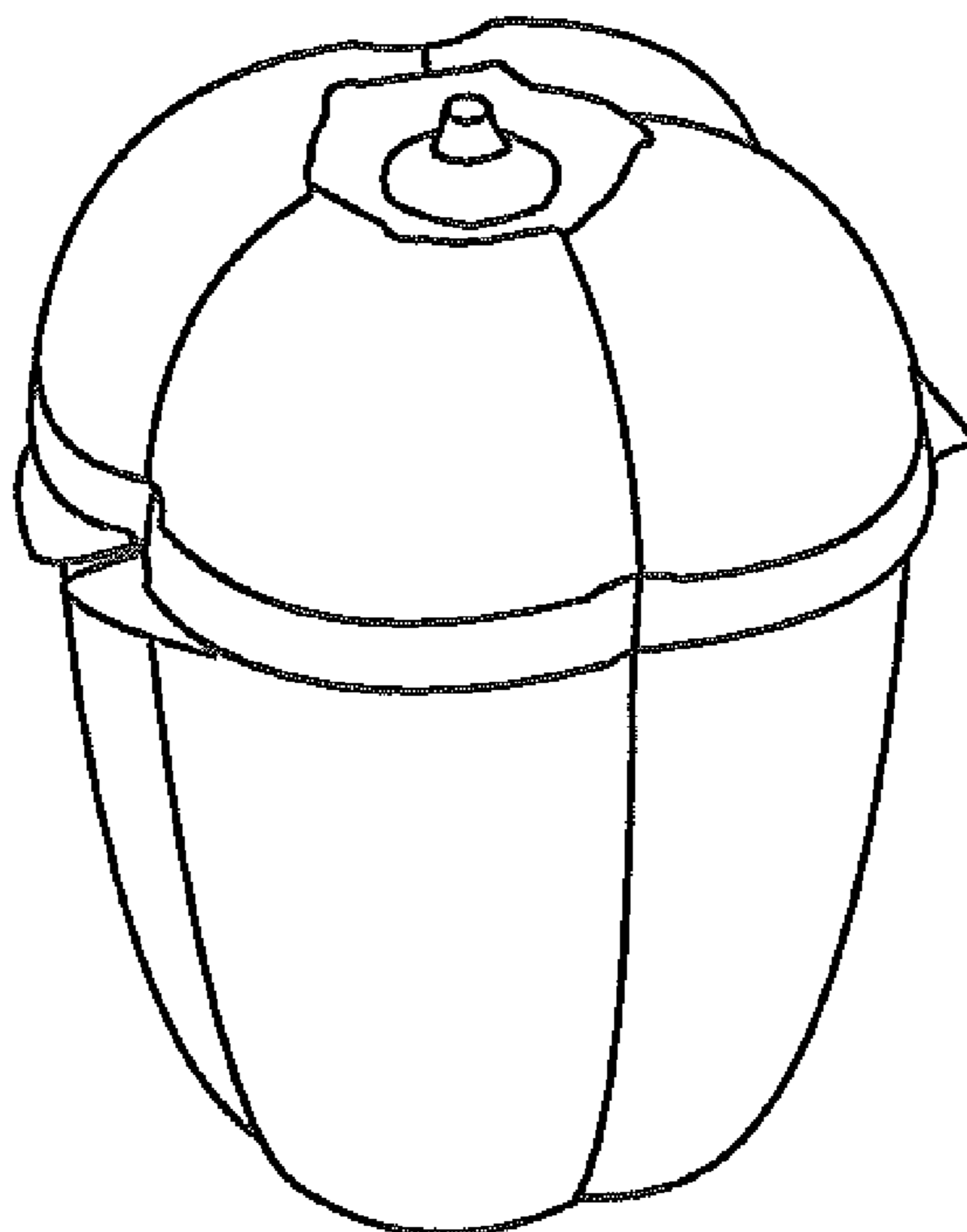
U.S. PATENT DOCUMENTS

4,795,033 A * 1/1989 Duffy 206/457
D423,883 S * 5/2000 Hansen D7/606
D424,884 S * 5/2000 Hansen D7/606
D442,031 S * 5/2001 Perez D7/628
D442,834 S * 5/2001 Perez D7/628
D478,785 S * 8/2003 Rorke et al. D7/628
6,896,140 B1 * 5/2005 Perry 206/551
D538,114 S * 3/2007 Kolano D7/628

Said food container (1) has an upper body (2) and a bottom body (3).

The food container (1) also has a hinge (4) connecting the bodies (2) and (3), and closing flanges (5).

1 Claim, 1 Drawing Sheet



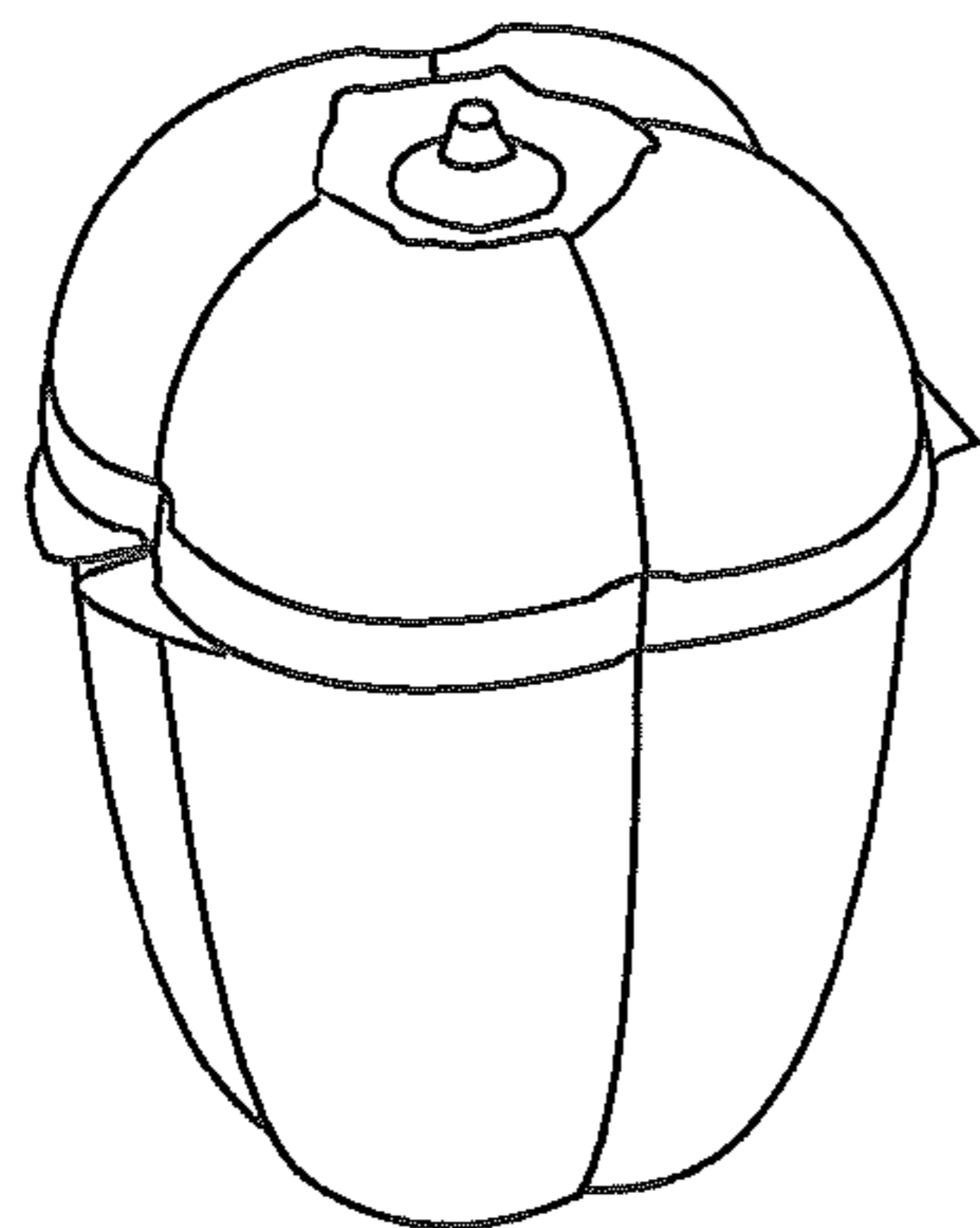


FIGURE 1

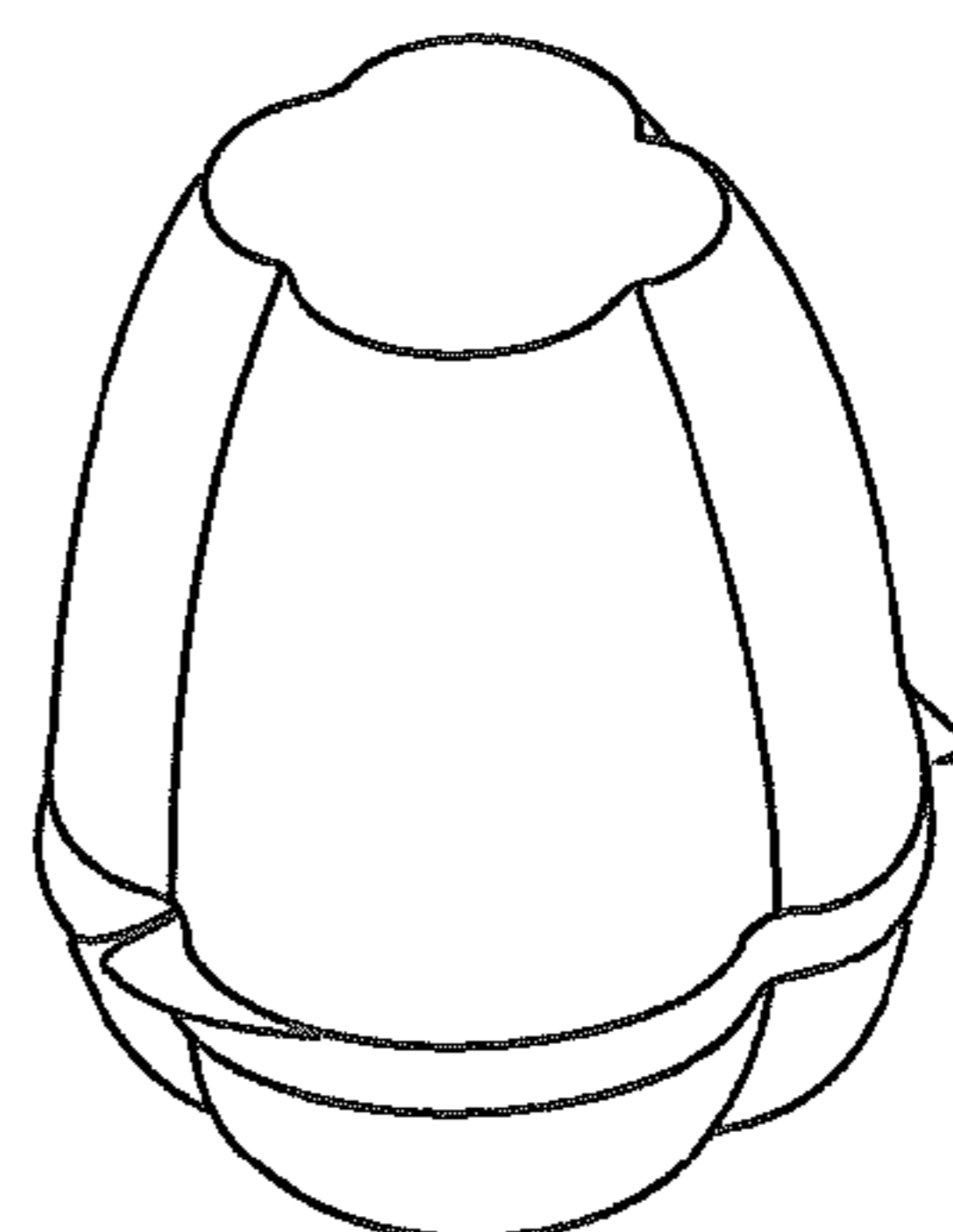


FIGURE 2

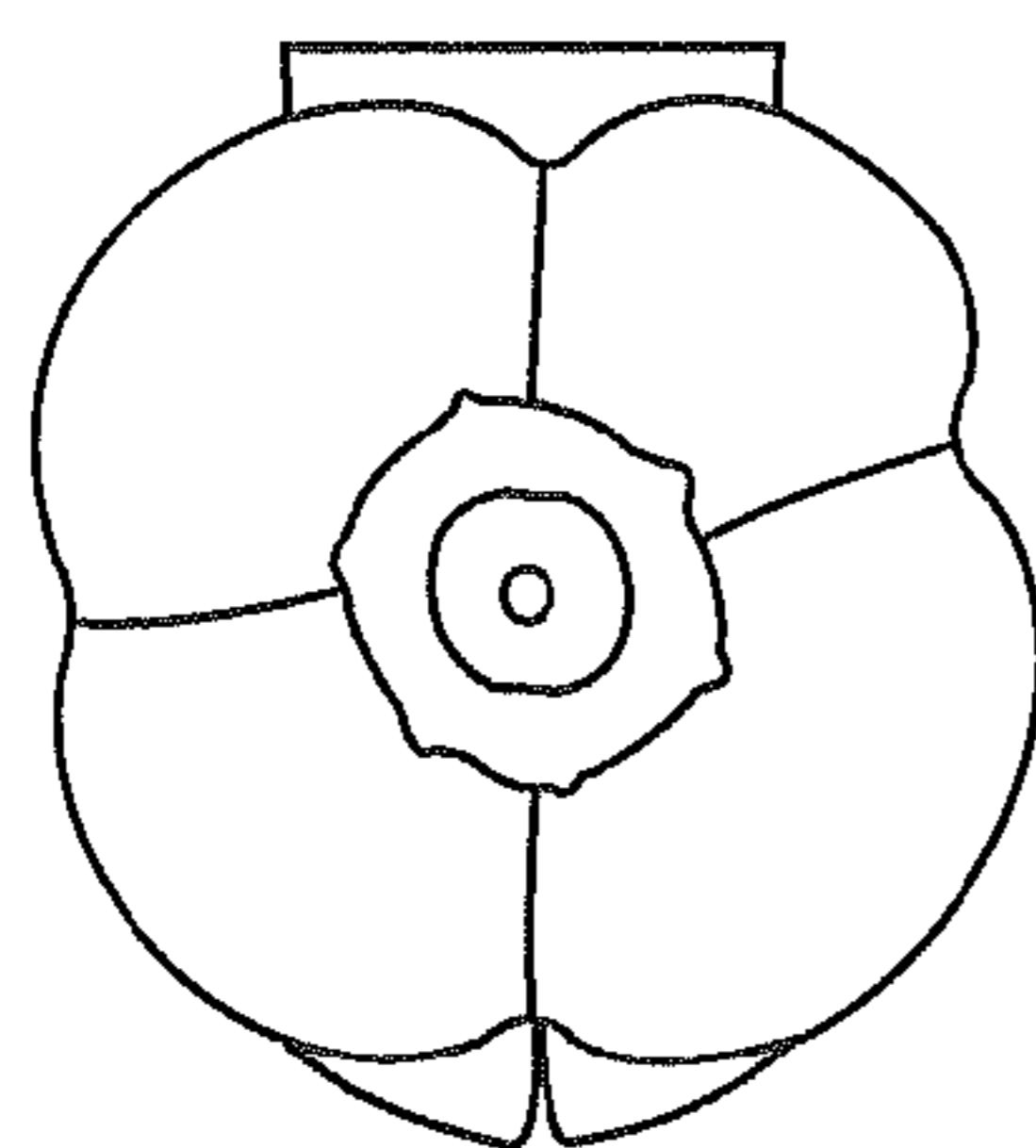


FIGURE 3

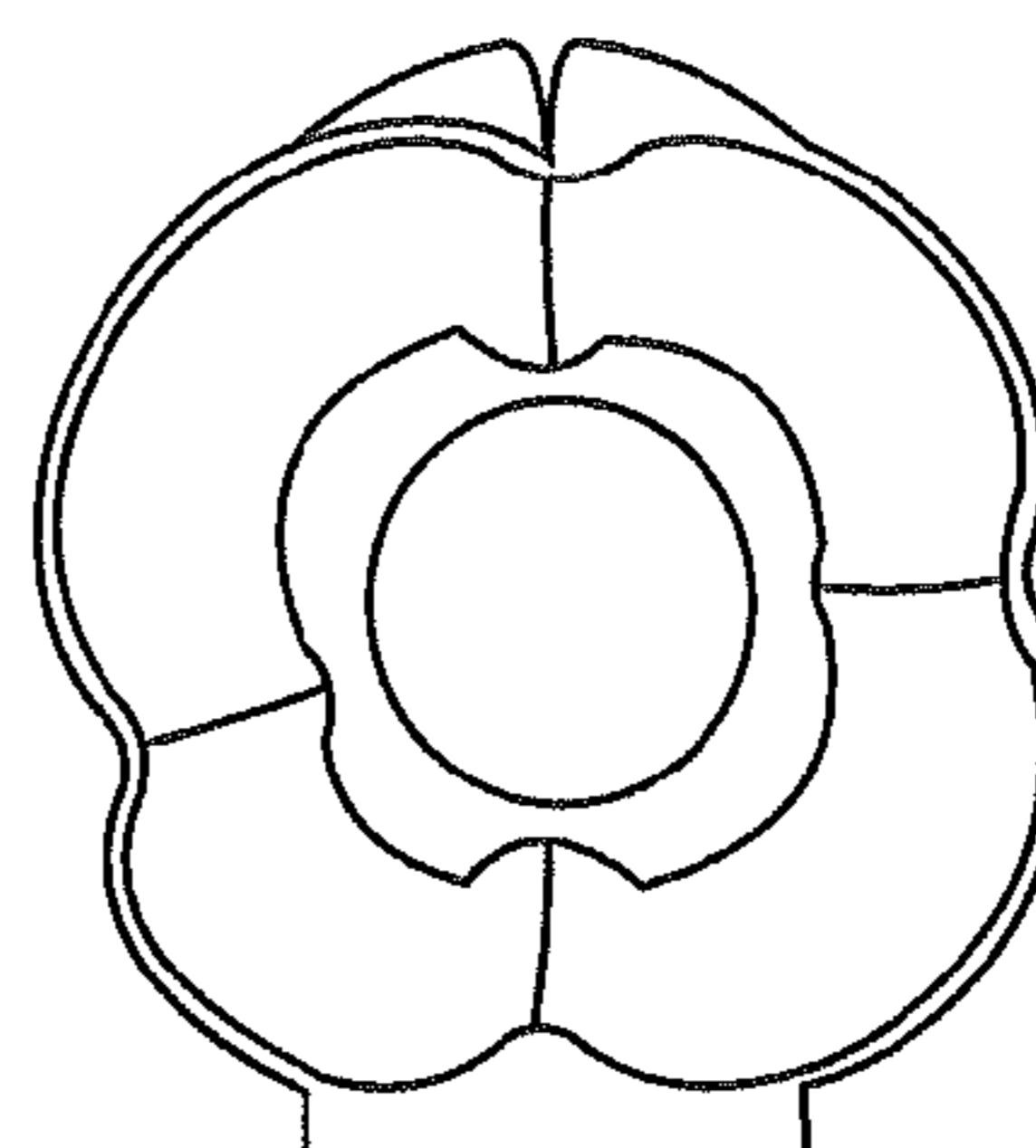


FIGURE 4

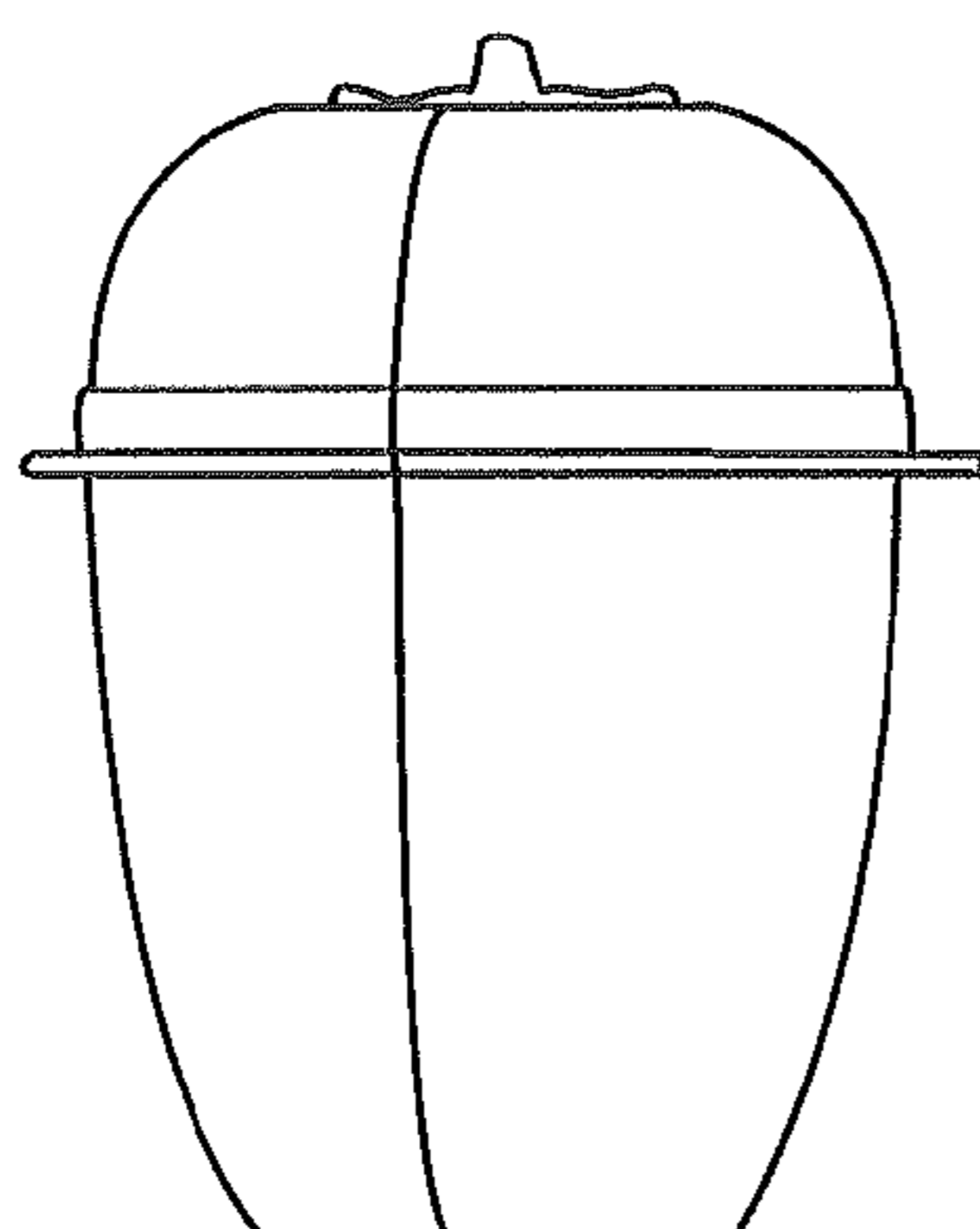


FIGURE 5

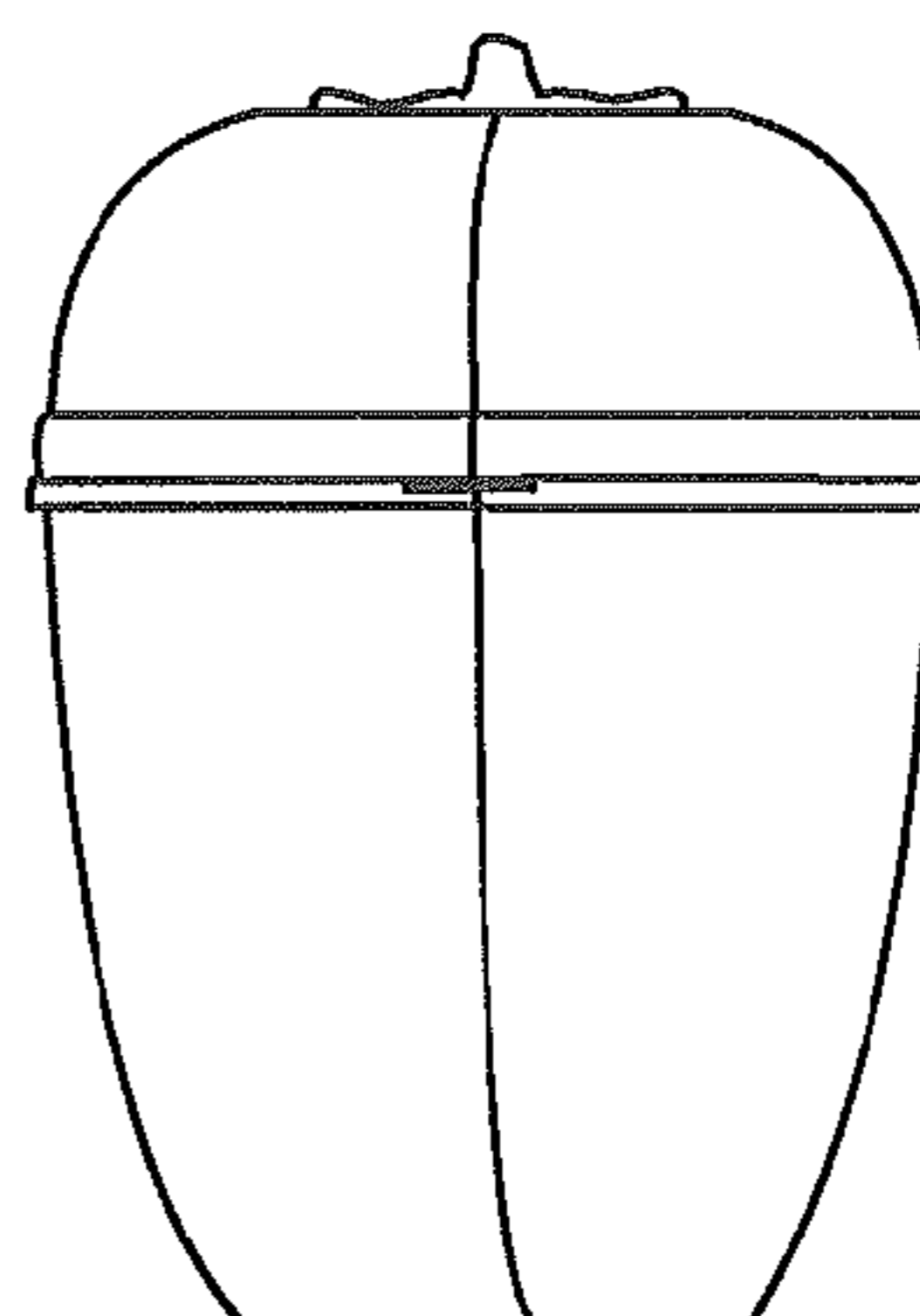


FIGURE 6

UNITED STATES PATENT AND TRADEMARK OFFICE
CERTIFICATE OF CORRECTION

PATENT NO. : Des. 604,117 S
APPLICATION NO. : 29/336581
DATED : November 17, 2009
INVENTOR(S) : Braidotti

Page 1 of 1

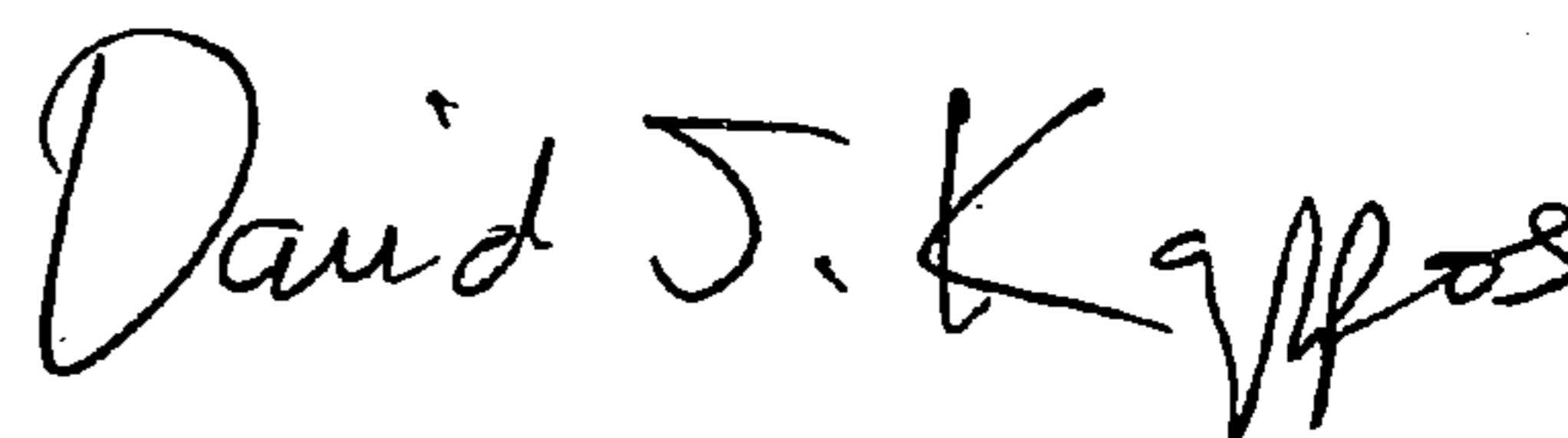
It is certified that error appears in the above-identified patent and that said Letters Patent is hereby corrected as shown below:

On the title page
In the Description

Delete the three sentences immediately following the Description as per Examiner's Amendment

Signed and Sealed this

Twelfth Day of January, 2010

A handwritten signature in black ink that reads "David J. Kappos". The signature is written in a cursive, flowing style.

David J. Kappos
Director of the United States Patent and Trademark Office