



US00D604116S

(12) **United States Design Patent**  
**Braidotti**

(10) **Patent No.:** **US D604,116 S**

(45) **Date of Patent:** **\*\* Nov. 17, 2009**

(54) **FOOD CONTAINER**

D562,082 S \* 2/2008 Ehrenhaus et al. .... D7/628

(76) Inventor: **Nely Cristina Braidotti**, Alameda Dos  
Sem-Fim, 149, Vale Do Igapo,  
17037-110-Bauru-SP (BR)

\* cited by examiner

*Primary Examiner*—Terry A Wallace

(74) *Attorney, Agent, or Firm*—Schmeiser, Olsen & Watts

(\*\*) Term: **14 Years**

(21) Appl. No.: **29/336,580**

(22) Filed: **May 6, 2009**

(57) **CLAIM**

The ornamental design for a food container, as shown and described.

(30) **Foreign Application Priority Data**

Nov. 6, 2008 (BR) ..... DI6804603

**DESCRIPTION**

(51) **LOC (9) Cl.** ..... **07-07**

(52) **U.S. Cl.** ..... **D7/628; D9/644**

(58) **Field of Classification Search** ..... D7/629,  
D7/628, 506, 539, 604, 606, 675, 676, 610;  
D9/643, 644, 645, 600; D1/104, 106, 115;  
D3/270, 271.1, 271.8; 206/457, 551

See application file for complete search history.

FIG. 1 shows an upper perspective view of the food container,  
FIG. 2 shows a bottom perspective view of the food container,  
FIG. 3 shows the side indicated by the arrow A of the FIG. 1  
of the food container,

FIG. 4 shows the side indicated by the arrow B of the FIG. 1  
of the food container,

FIG. 5 shows the side indicated by the arrow C of the FIG. 2  
of the food container,

FIG. 6 shows an upper view of the food container; and,

FIG. 7 shows a bottom view of the food container.

The FIGS. 1, 2, 3, 4, 5, 6 and 7 show that the food container  
consists of a pepper format.

Said food container (1) has an upper body (2) and a bottom  
body (3).

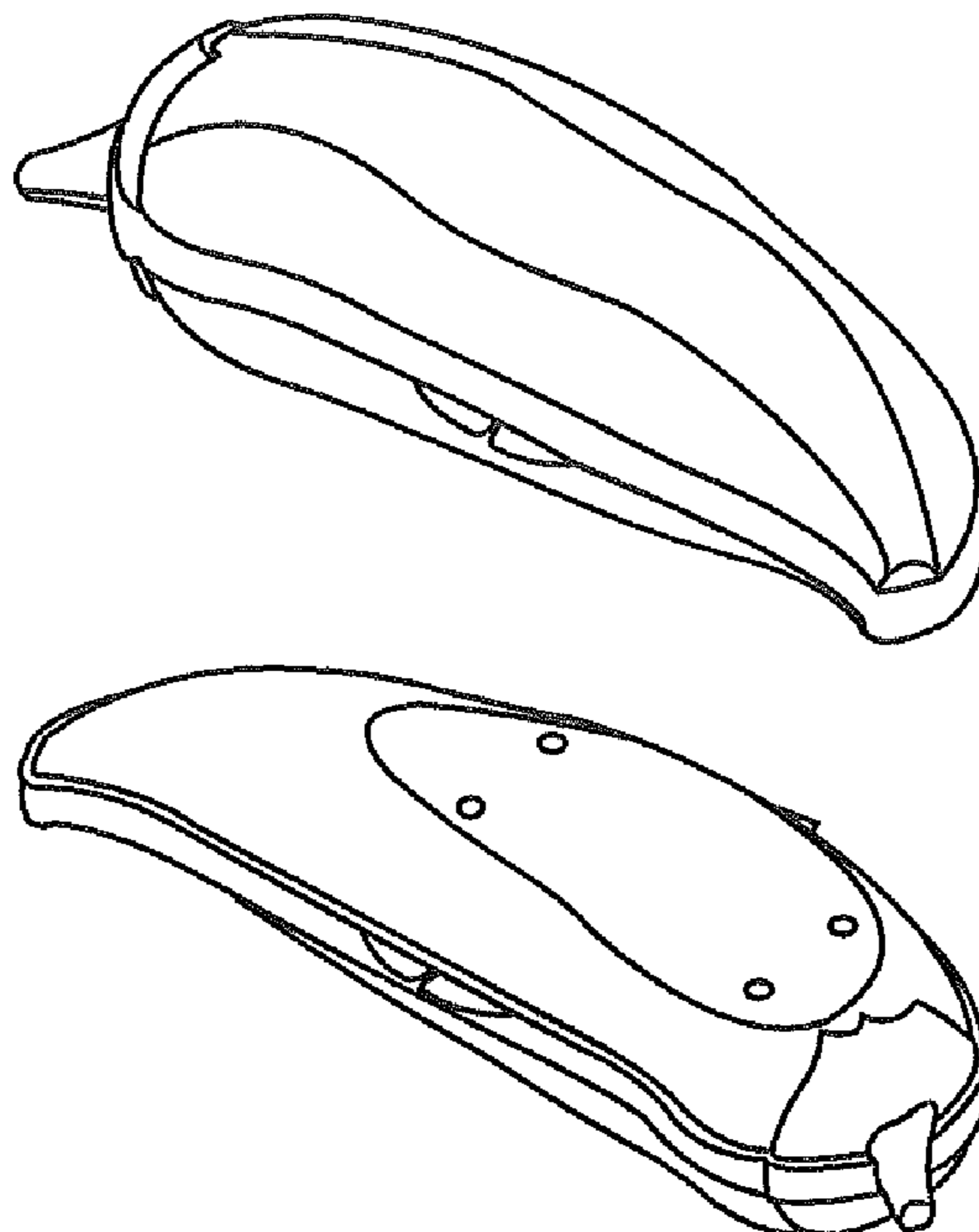
The food container (1) also has a hinge (4) connecting the  
bodies (2) and (3), and closing flanges (5).

(56) **References Cited**

**U.S. PATENT DOCUMENTS**

- 4,795,033 A \* 1/1989 Duffy ..... 206/457
- D437,186 S \* 2/2001 Asner ..... D7/544
- D442,834 S \* 5/2001 Perez ..... D7/628
- 6,896,140 B1 \* 5/2005 Perry ..... 206/551
- D522,375 S \* 6/2006 Archeny ..... D9/644
- D538,114 S \* 3/2007 Kolano ..... D7/628
- D559,625 S \* 1/2008 Ablo ..... D7/539

**1 Claim, 2 Drawing Sheets**



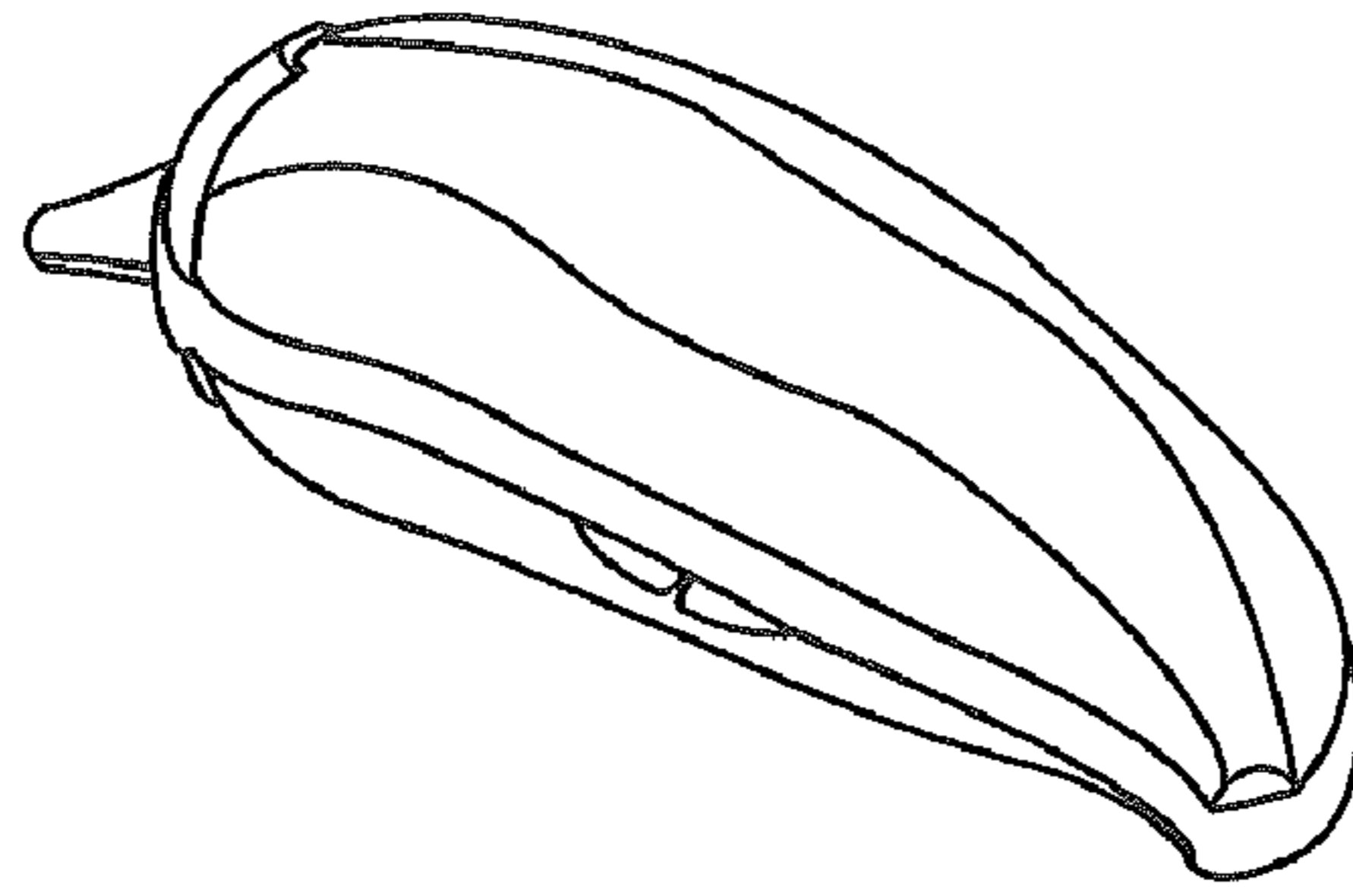


FIGURE 1

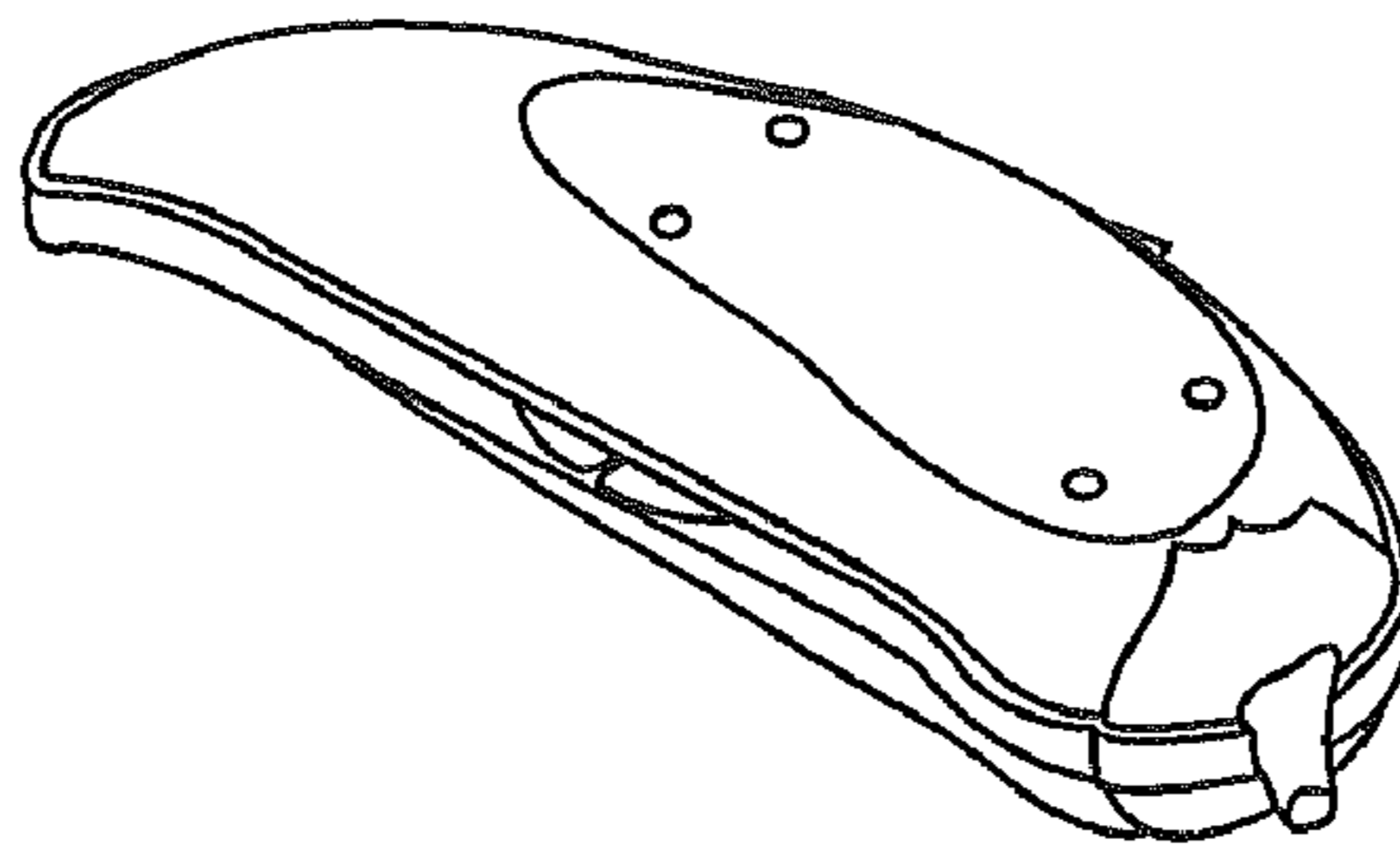


FIGURE 2

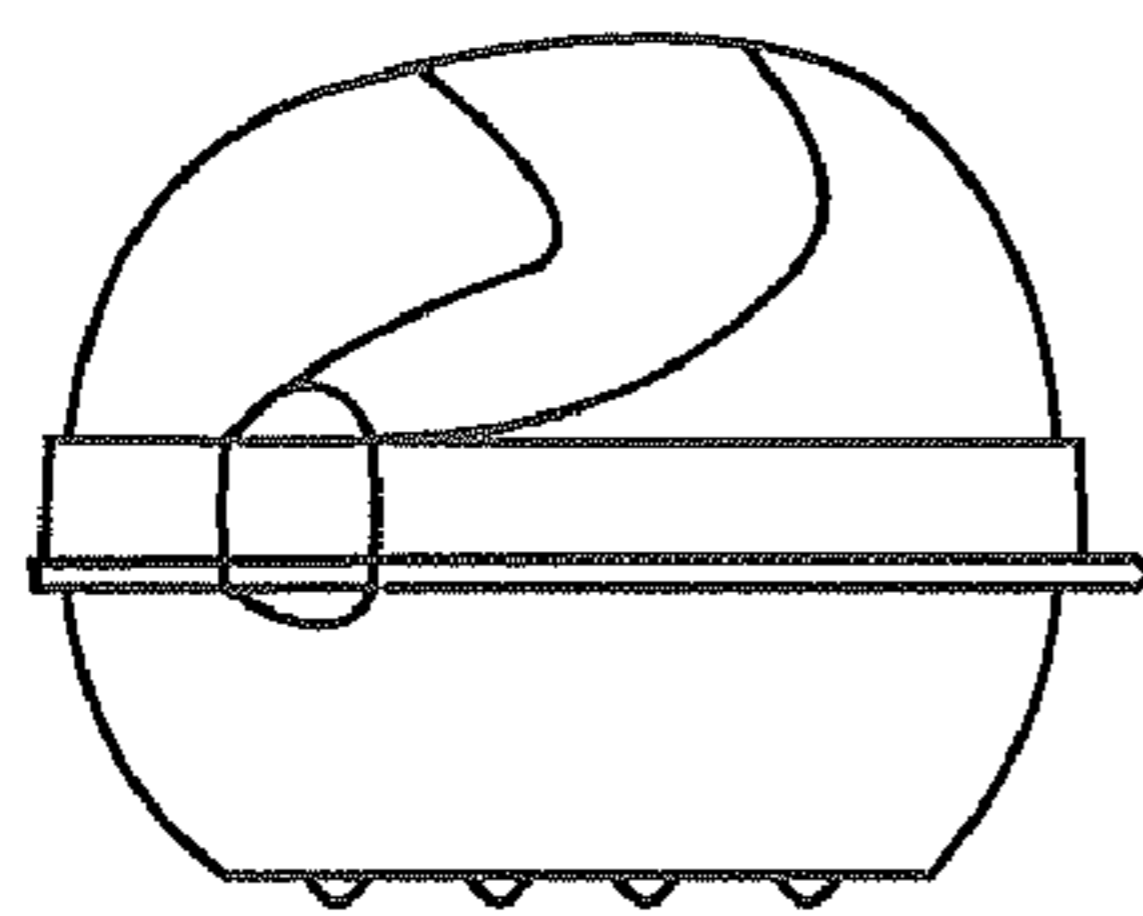


FIGURE 3

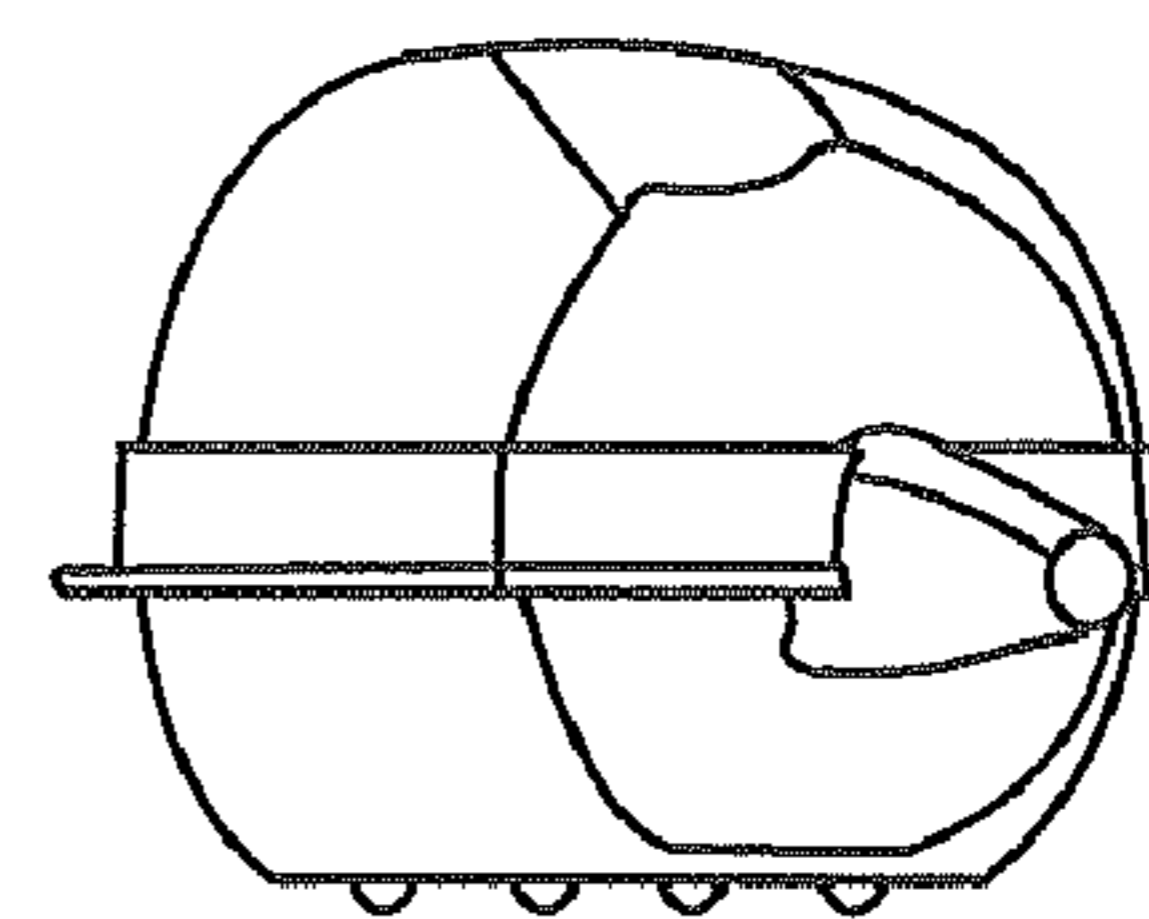


FIGURE 4

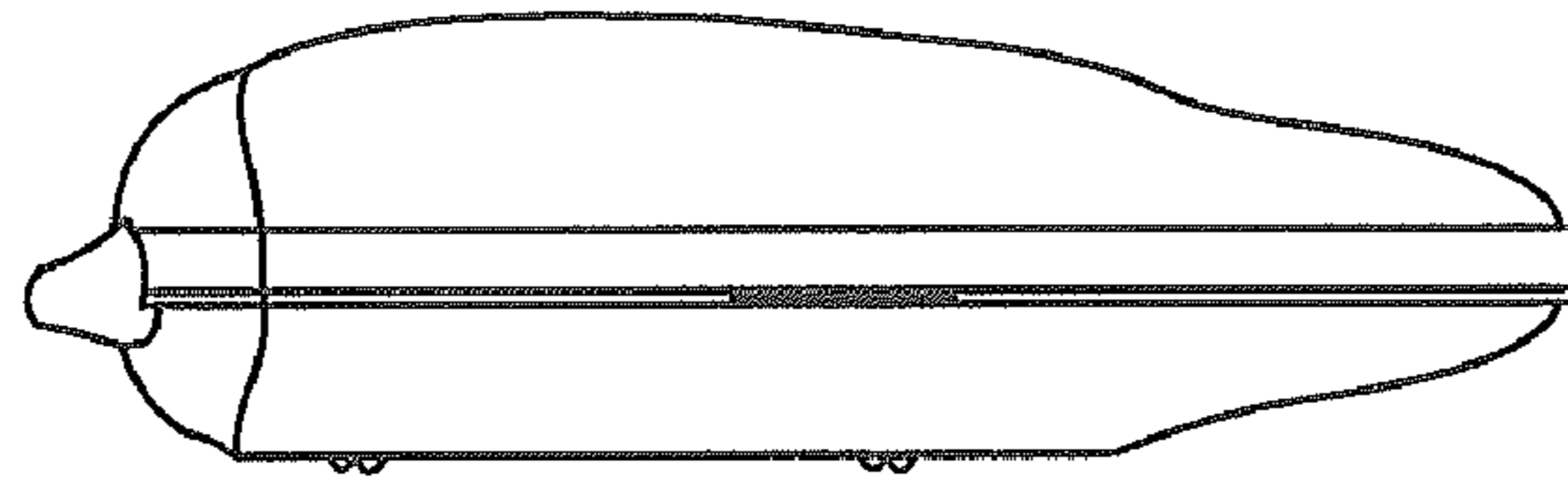


FIGURE 5

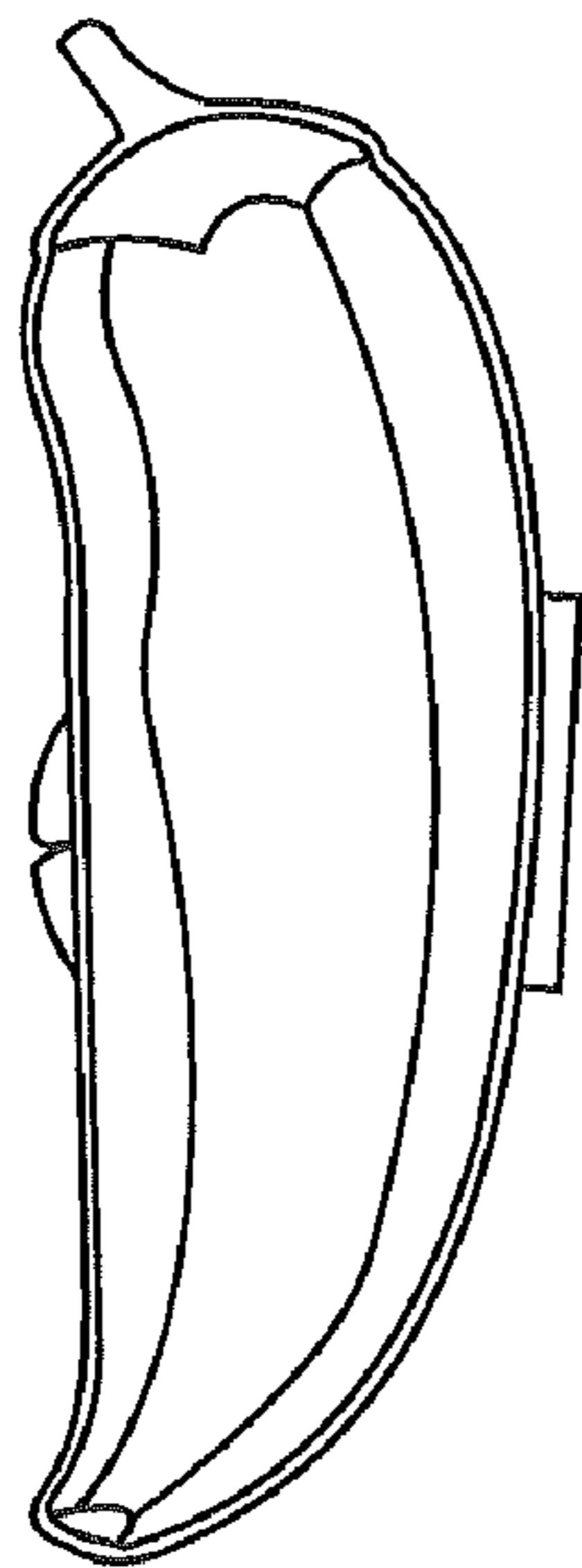


FIGURE 6

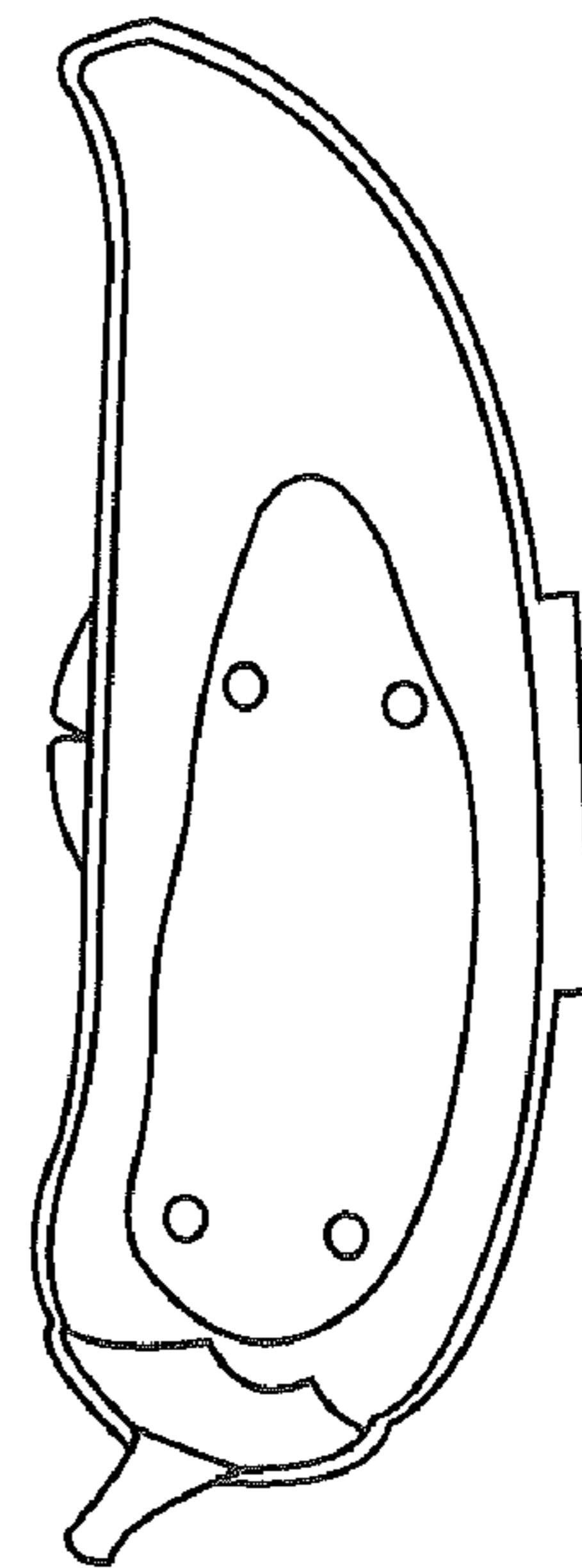


FIGURE 7

UNITED STATES PATENT AND TRADEMARK OFFICE  
**CERTIFICATE OF CORRECTION**

PATENT NO. : Des. 604,116 S  
APPLICATION NO. : 29/336580  
DATED : November 17, 2009  
INVENTOR(S) : Nely Cristina Braidotti

Page 1 of 1

It is certified that error appears in the above-identified patent and that said Letters Patent is hereby corrected as shown below:

In the Description

Fig. 3 delete "the" and insert -- a front --

Fig. 3 delete "indicated by the arrow A of the Fig. 1" and insert -- view --

Fig. 4 delete "the" and insert -- a back --

Fig. 4 delete "indicated by the arrow B of the Fig. 1" and insert -- view --

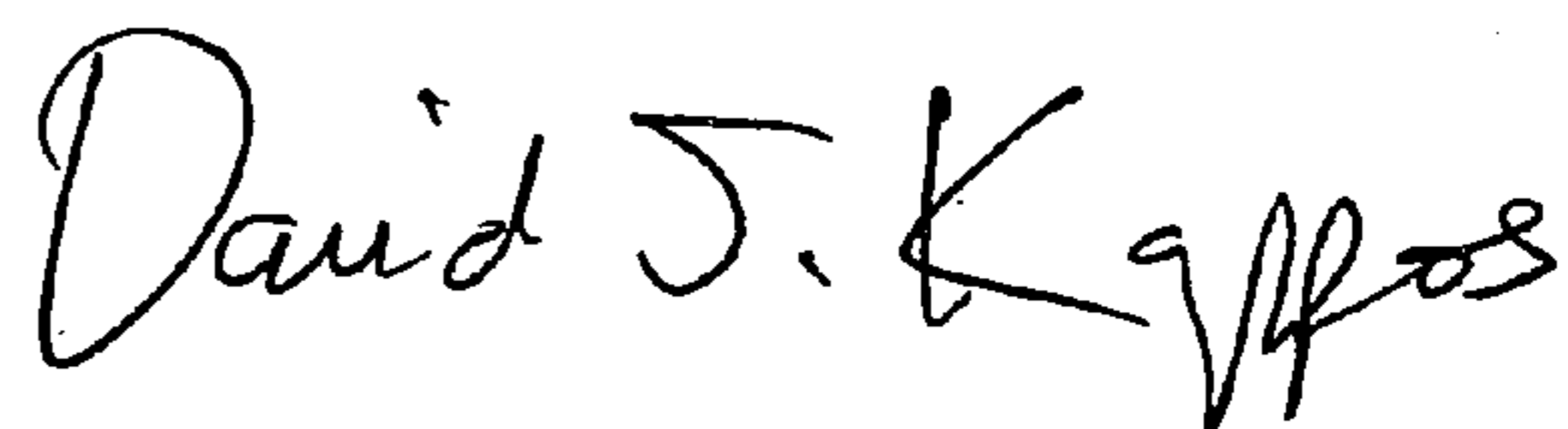
Fig. 5 delete "the" and insert -- a left --

Fig. 5 delete " indicated by the arrow C of the Fig. 1" and insert -- view --

Delete the three sentences immediately following the Description as per Examiner's Amendment

Signed and Sealed this

Sixth Day of April, 2010



David J. Kappos  
*Director of the United States Patent and Trademark Office*