



US00D604112S

(12) **United States Design Patent**  
**Braidotti**

(10) **Patent No.:** **US D604,112 S**

(45) **Date of Patent:** **\*\* Nov. 17, 2009**

(54) **FOOD CONTAINER**

(76) **Inventor:** **Nely Cristina Braidotti**, Alameda Dos Sem-Fim, 149, Vale Do Igapo, 17037-110 - Bauru-SP (BR)

(\*\*) **Term:** **14 Years**

(21) **Appl. No.:** **29/336,574**

(22) **Filed:** **May 6, 2009**

(30) **Foreign Application Priority Data**

Nov. 6, 2008 (BR) ..... DI6804674-0

(51) **LOC (9) Cl.** ..... **07-07**

(52) **U.S. Cl.** ..... **D7/628; D9/645**

(58) **Field of Classification Search** ..... D7/629, D7/628, 506, 539, 604, 606, 675, 676, 610; D9/643, 644, 645, 600; D1/104, 106, 115; D3/270, 271.1, 271.8; 206/457, 551  
See application file for complete search history.

(56) **References Cited**

**U.S. PATENT DOCUMENTS**

4,795,033 A \* 1/1989 Duffy ..... 206/457

D423,882 S \* 5/2000 Hansen ..... D7/606

D442,834 S \* 5/2001 Perez ..... D7/628  
6,896,140 B1 \* 5/2005 Perry ..... 206/551  
D538,114 S \* 3/2007 Kolano ..... D7/628  
D562,082 S \* 2/2008 Ehrenhaus et al. .... D7/628

\* cited by examiner

*Primary Examiner*—Terry A Wallace

(74) *Attorney, Agent, or Firm*—Schmeiser, Olsen & Watts

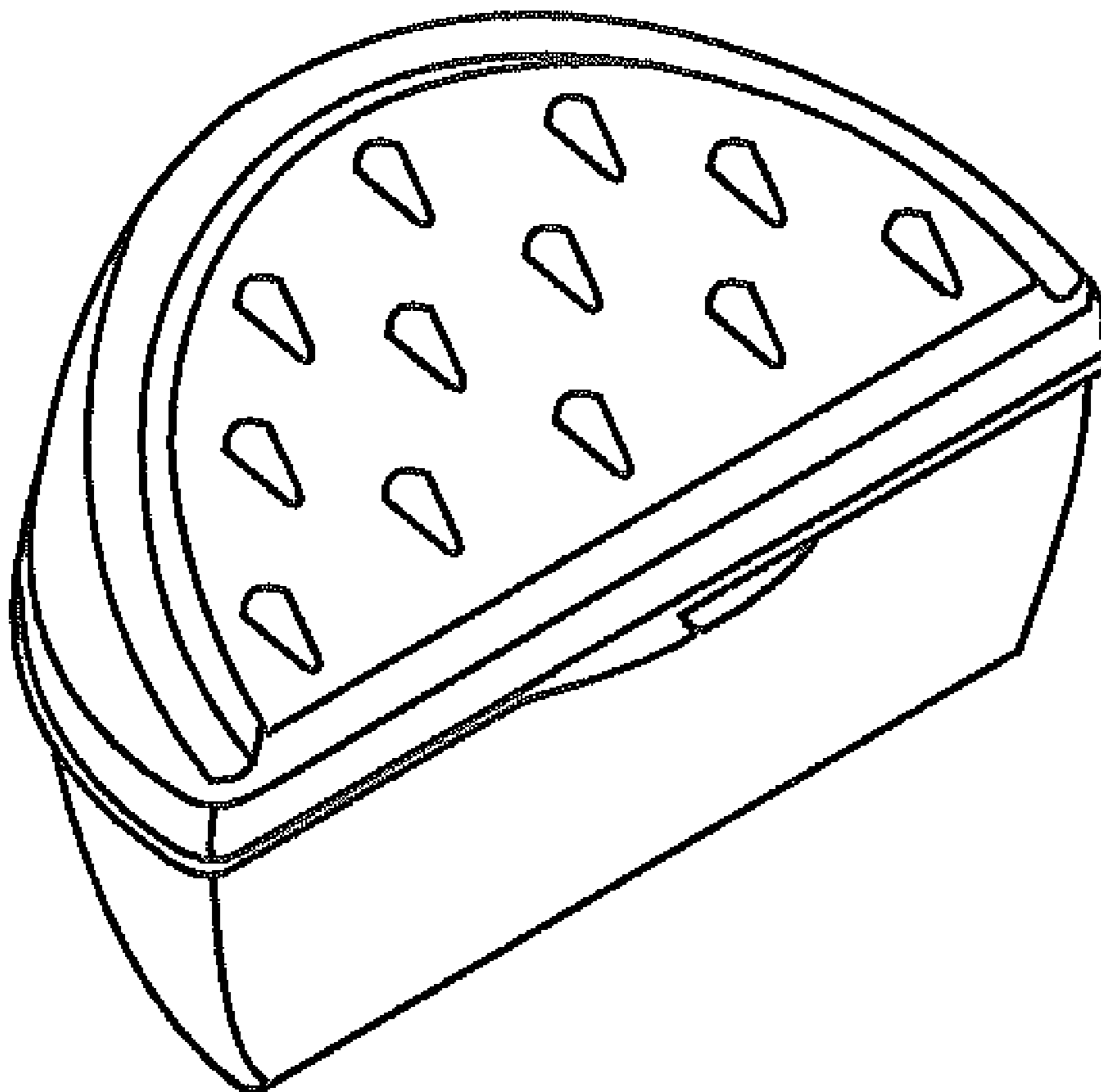
(57) **CLAIM**

The ornamental design for a food container, as shown and described.

**DESCRIPTION**

FIG. 1 shows an upper perspective view of the food container, FIG. 2 shows a bottom perspective view of the food container, FIG. 3 shows an upper view of the food container, FIG. 4 shows a bottom view of the food container, FIG. 5 shows the left side view of the food container, FIG. 6 shows the right side view of the food container, FIG. 7 shows the front view of the food container; and, FIG. 8 shows the back view of the food container.

**1 Claim, 2 Drawing Sheets**



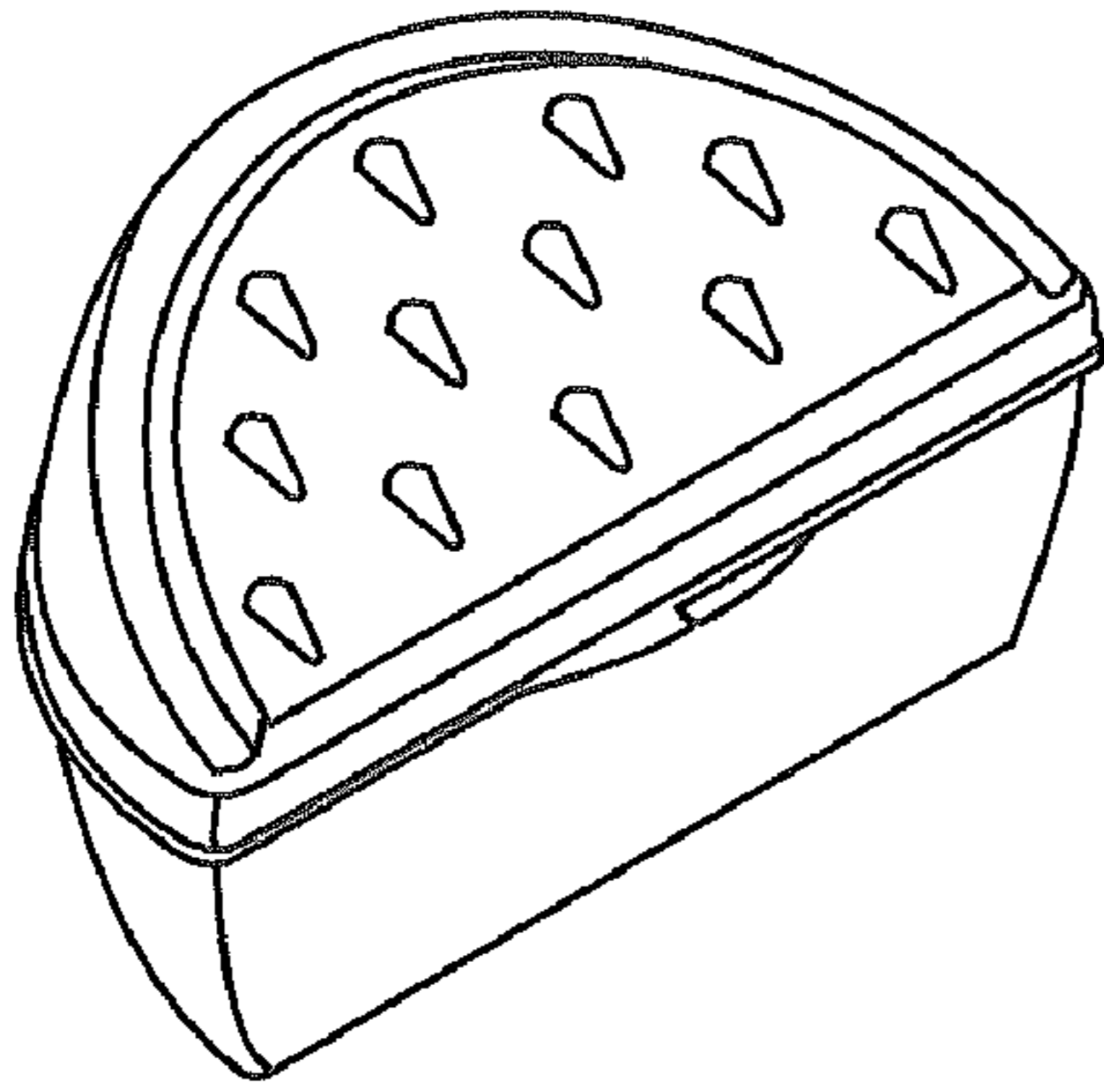


FIGURE 1

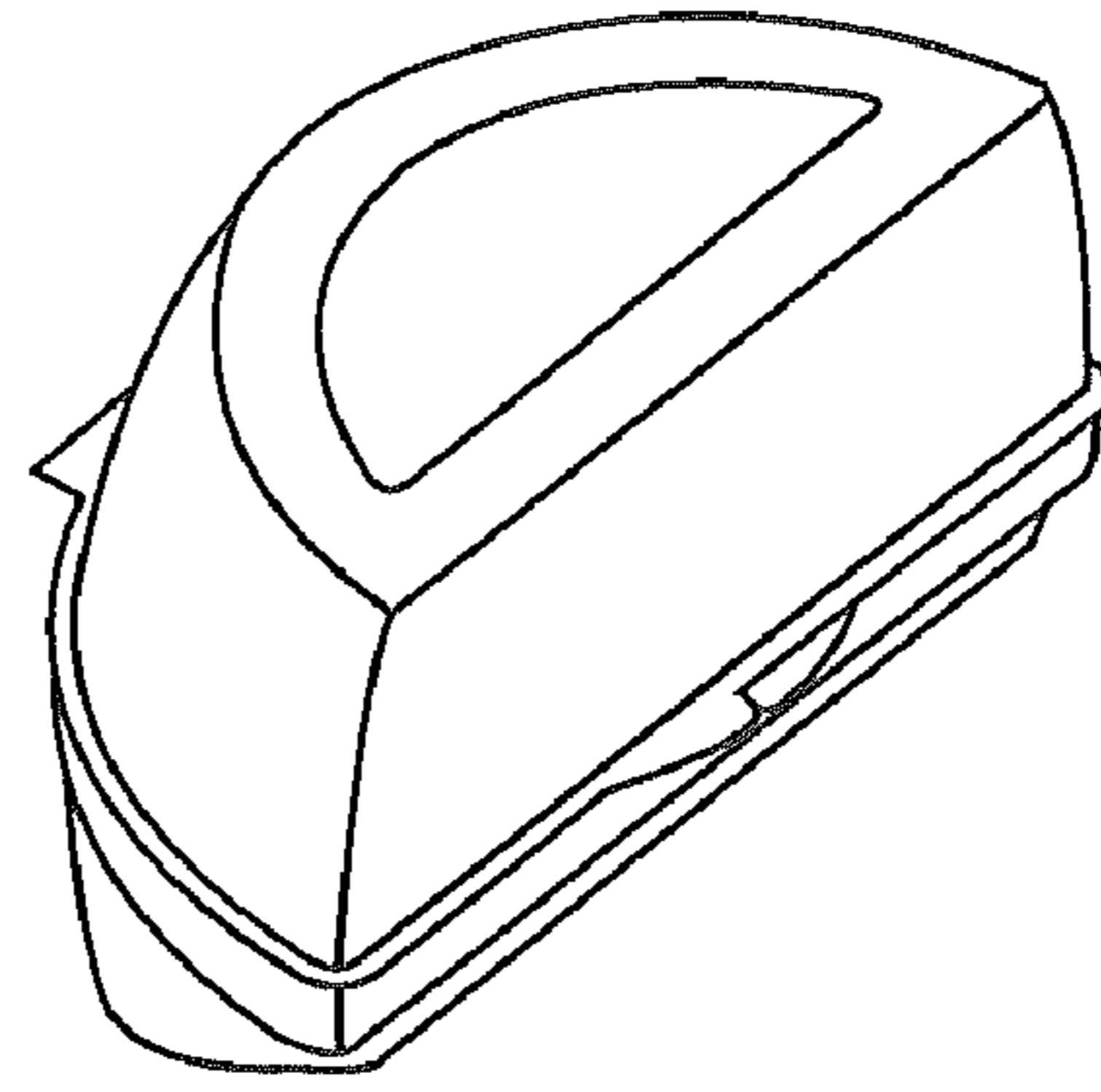


FIGURE 2

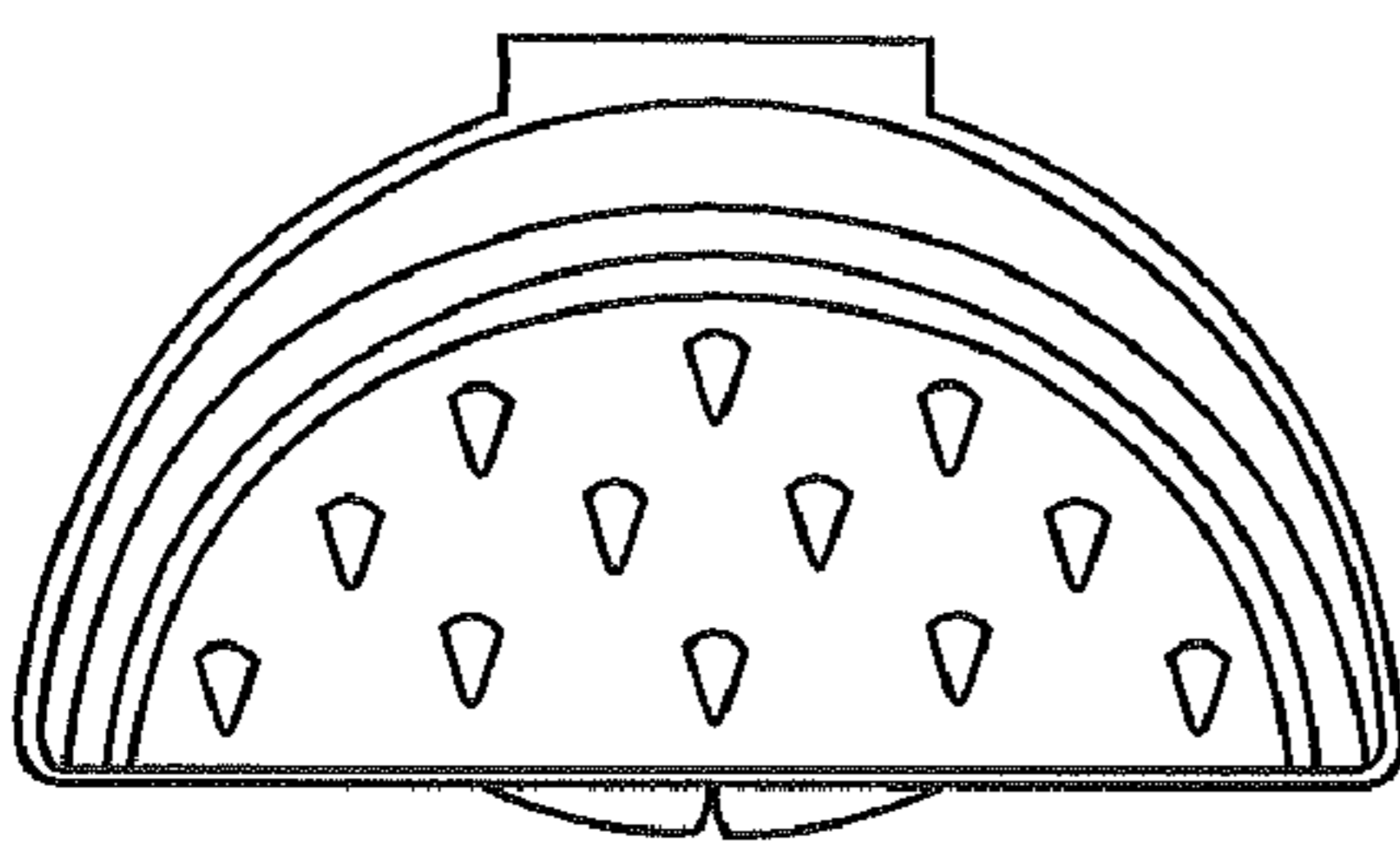


FIGURE 3

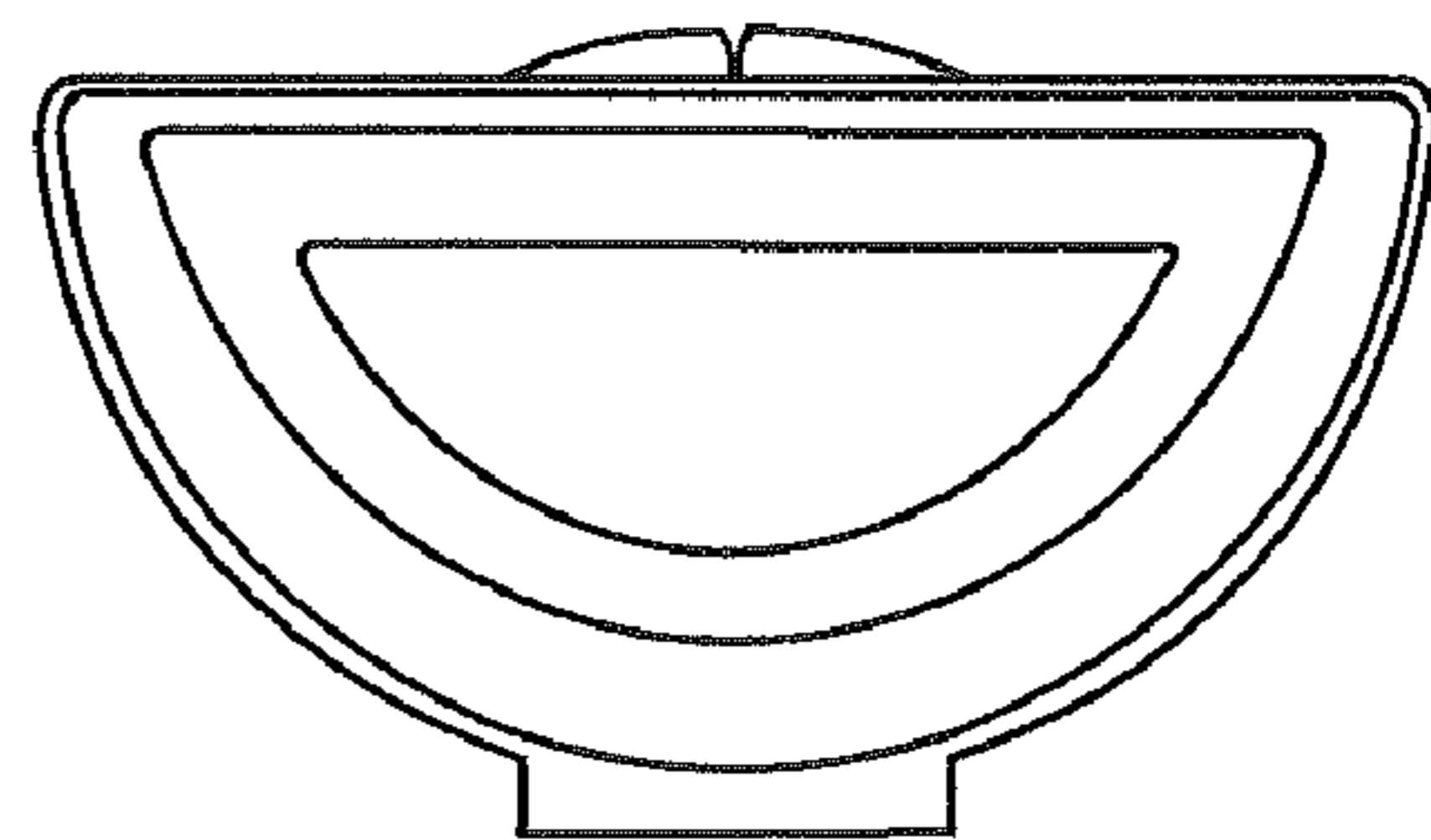


FIGURE 4

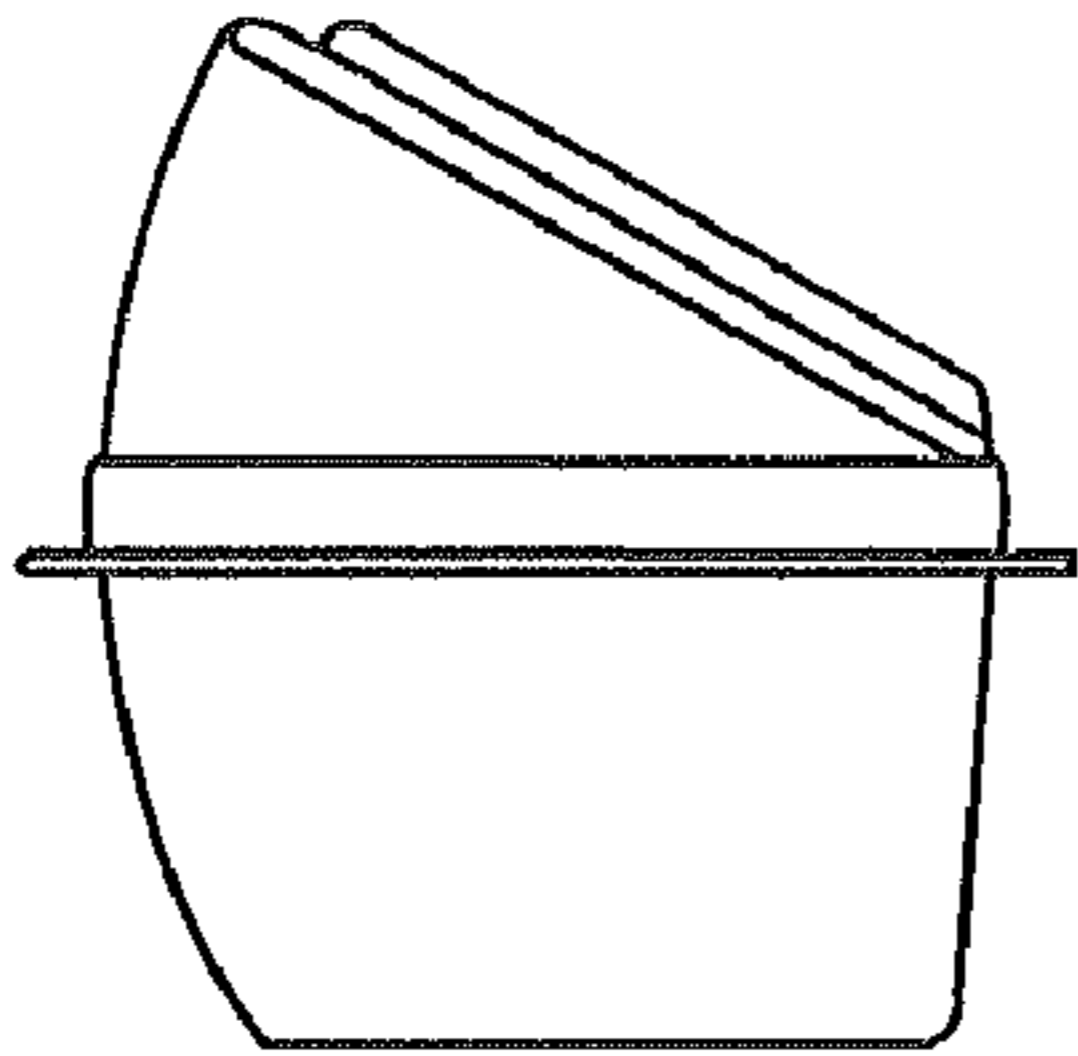


FIGURE 5

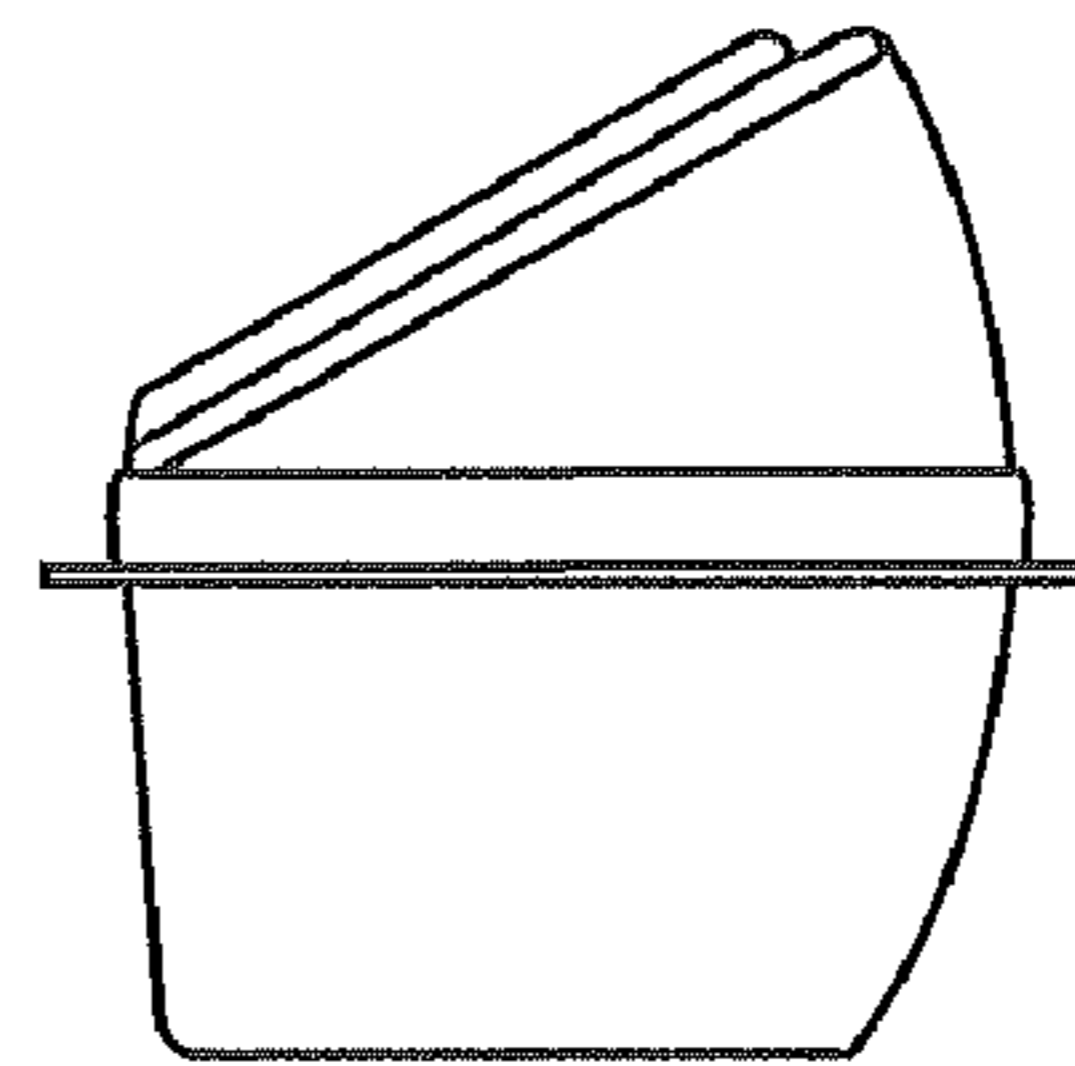


FIGURE 6

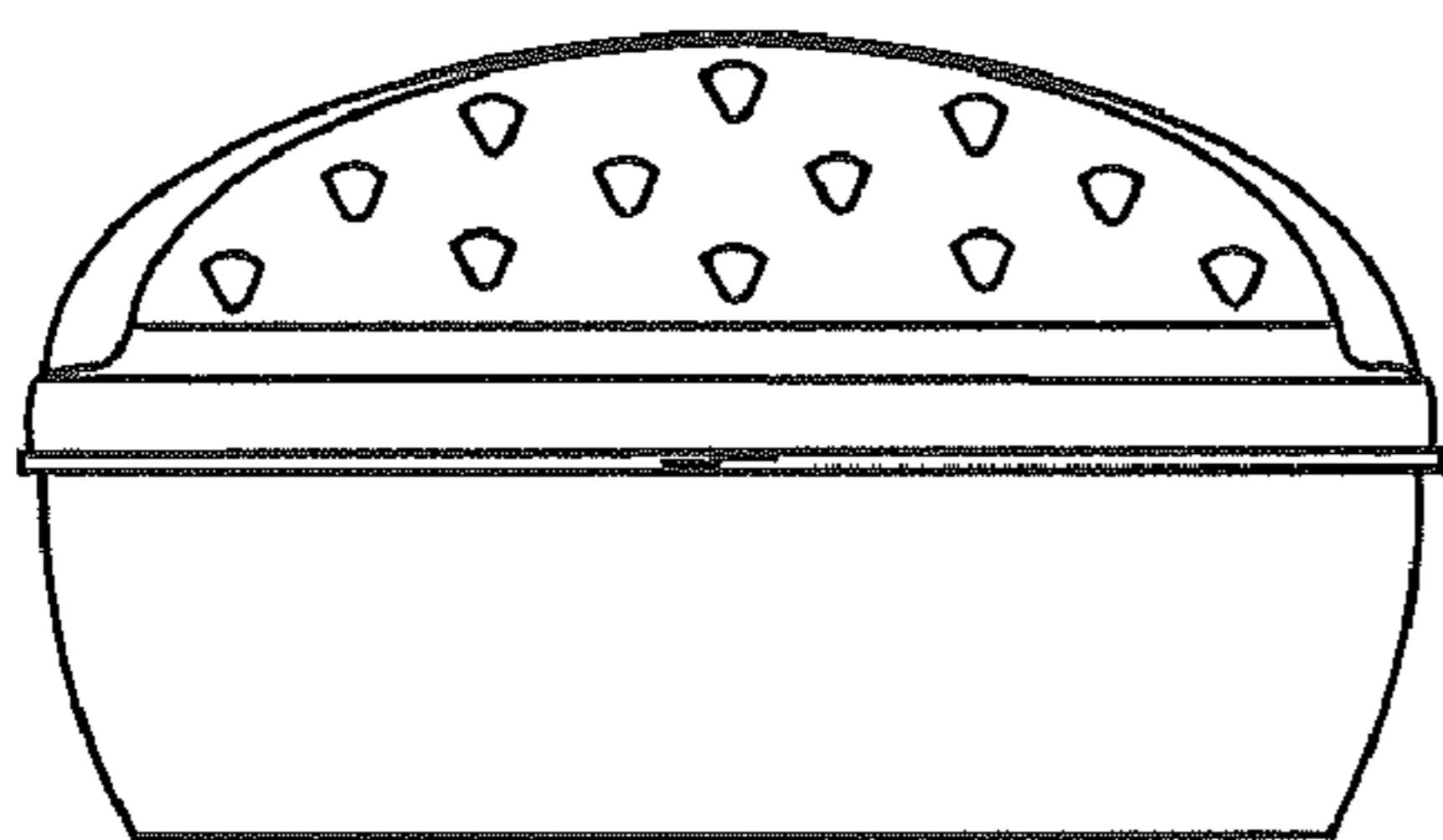


FIGURE 7

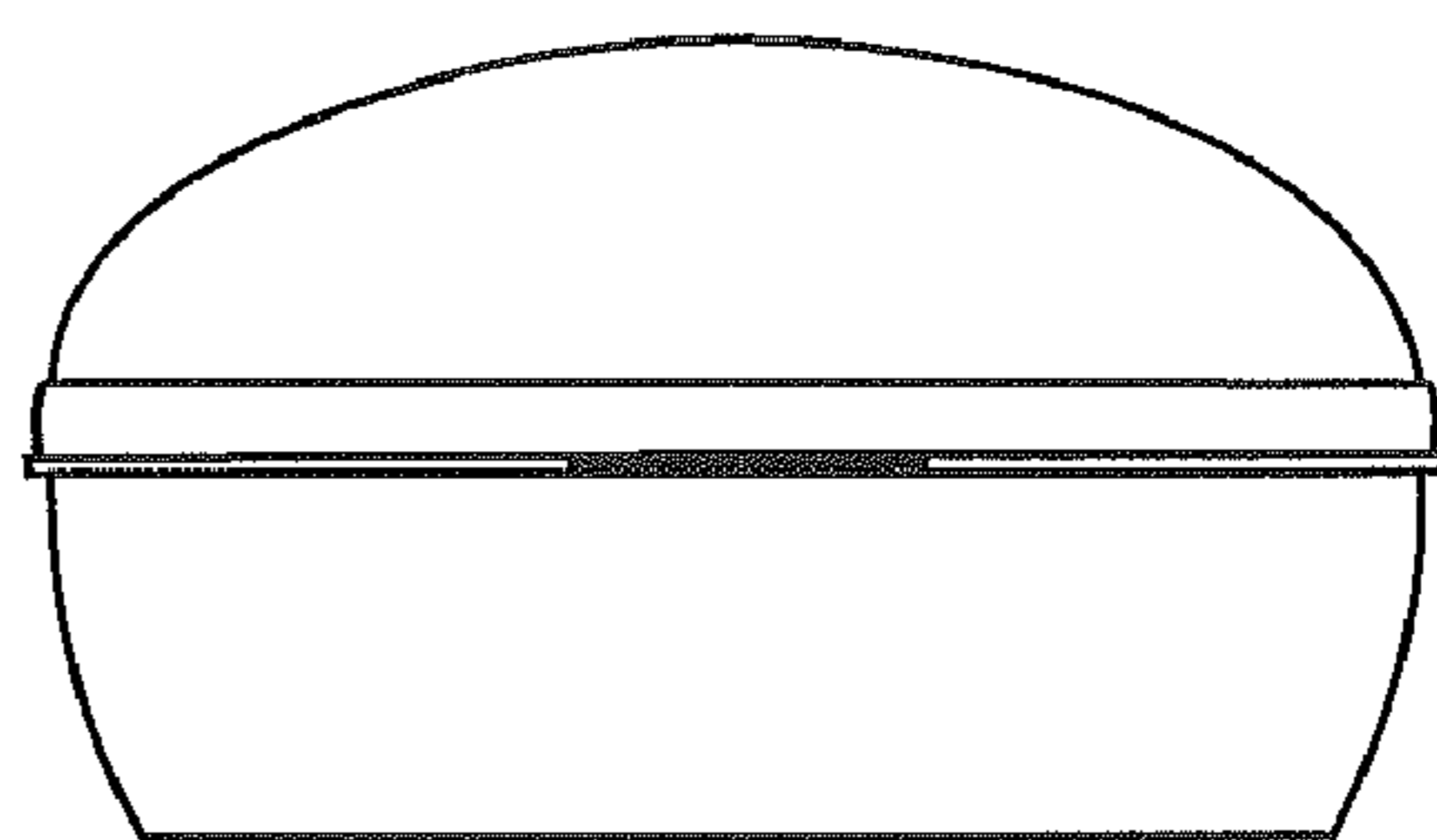


FIGURE 8