



US00D604109S

(12) **United States Design Patent**
Madagan

(10) **Patent No.:** **US D604,109 S**

(45) **Date of Patent:** **** Nov. 17, 2009**

(54) **CUPCAKE HOLDER**

(76) Inventor: **Leanna Madagan**, c/o Sweet Garden,
Enterprises 217 Weems La., Winchester,
VA (US) 22601

(**) Term: **14 Years**

(21) Appl. No.: **29/309,186**

(22) Filed: **Jul. 3, 2008**

D405,651 S *	2/1999	Schmidt	D7/610
5,899,353 A	5/1999	Sabin et al.	
5,967,323 A	10/1999	Siragusa	
6,003,671 A	12/1999	McDonough et al.	
D422,456 S *	4/2000	Krueger	D7/610
6,153,237 A	11/2000	Ferguson	
D436,502 S	1/2001	Brock et al.	
D459,988 S	7/2002	Högman	
D469,653 S *	2/2003	Cooper et al.	D7/357
6,796,441 B2 *	9/2004	Tremblay	211/74
D515,363 S *	2/2006	Driggers et al.	D7/610
7,028,853 B1 *	4/2006	Simms	211/85.3

Related U.S. Application Data

(63) Continuation of application No. 10/860,132, filed on
Jun. 4, 2004, now abandoned.

(51) **LOC (9) Cl.** **07-01**

(52) **U.S. Cl.** **D7/610**

(58) **Field of Classification Search** D7/610,
D7/538-542, 629; D9/424-432; 431/288,
431/291, 293, 295, 297; 312/280, 284; 220/780-806,
220/574-757, 675, 4.27; 206/508, 519, 493,
206/557-564; 211/13.1, 85.4; 229/117.14,
229/117.13, 117.09, 117.02, 116.1
See application file for complete search history.

(56) **References Cited**

U.S. PATENT DOCUMENTS

D112,347 S	11/1938	Nesbitt	
D160,688 S *	10/1950	Brock	D7/501
3,034,496 A	5/1962	Greenwald	
D228,443 S	9/1973	Mitchell	
4,268,002 A	5/1981	Deveaux	
4,388,334 A	6/1983	Deveaux	
4,446,982 A	5/1984	Corse	
D280,689 S	9/1985	Knutson	
4,694,961 A *	9/1987	Menendez	206/508
4,772,418 A *	9/1988	Leoncavallo	422/310
4,844,243 A *	7/1989	Stiles	206/457
D348,378 S	7/1994	Crane	
5,413,801 A *	5/1995	McIlwain	426/420
5,676,252 A *	10/1997	Lillelund et al.	206/551
5,779,080 A	7/1998	Corse	
D400,055 S *	10/1998	Mc Fadzean	D7/610

OTHER PUBLICATIONS

Flyer from Cupcake Bouquet Enterprises, Box, 81, Grand Blanc, MI
48439.

* cited by examiner

Primary Examiner—Terry A Wallace

(74) *Attorney, Agent, or Firm*—Stites & Harbison PLLC;
Juan Carlos A. Marquez, Esq.

(57) **CLAIM**

The ornamental design for a cupcake holder, as shown and
described.

DESCRIPTION

FIG. 1 shows a perspective view of the cupcake holder
according to the present design;

FIG. 2 shows a side view of the cupcake holder in FIG. 1;

FIGS. 3 and 4 show a top view and a side view of the top level
of the cupcake holder in FIG. 1;

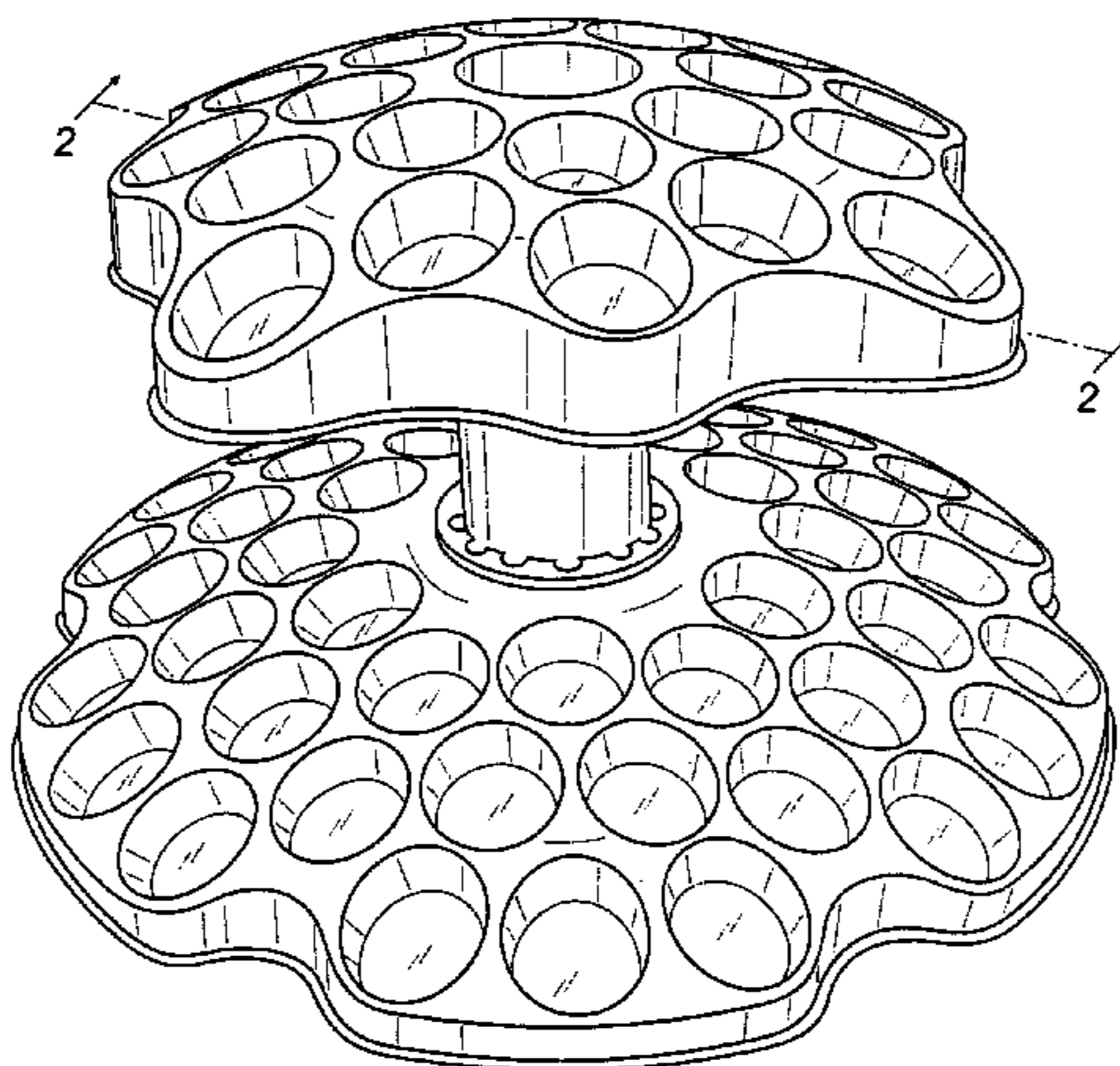
FIGS. 5 and 6 show a top view and a side view of the lower
level of the cupcake holder in FIG. 1;

FIG. 7 shows a perspective view of a stanchion spacer on a
support of the stanchion cupcakes holder in FIG. 1; and,

FIGS. 8 and 9 show a top view and a upside-down perspective
view of the stanchion spacer of the cupcake holder in FIG. 7.

The undisclosed bottom view is not being claimed. The cup-
cake holder, the cover and the stanchion spacer are shown
separately for clarity of illustration.

1 Claim, 7 Drawing Sheets



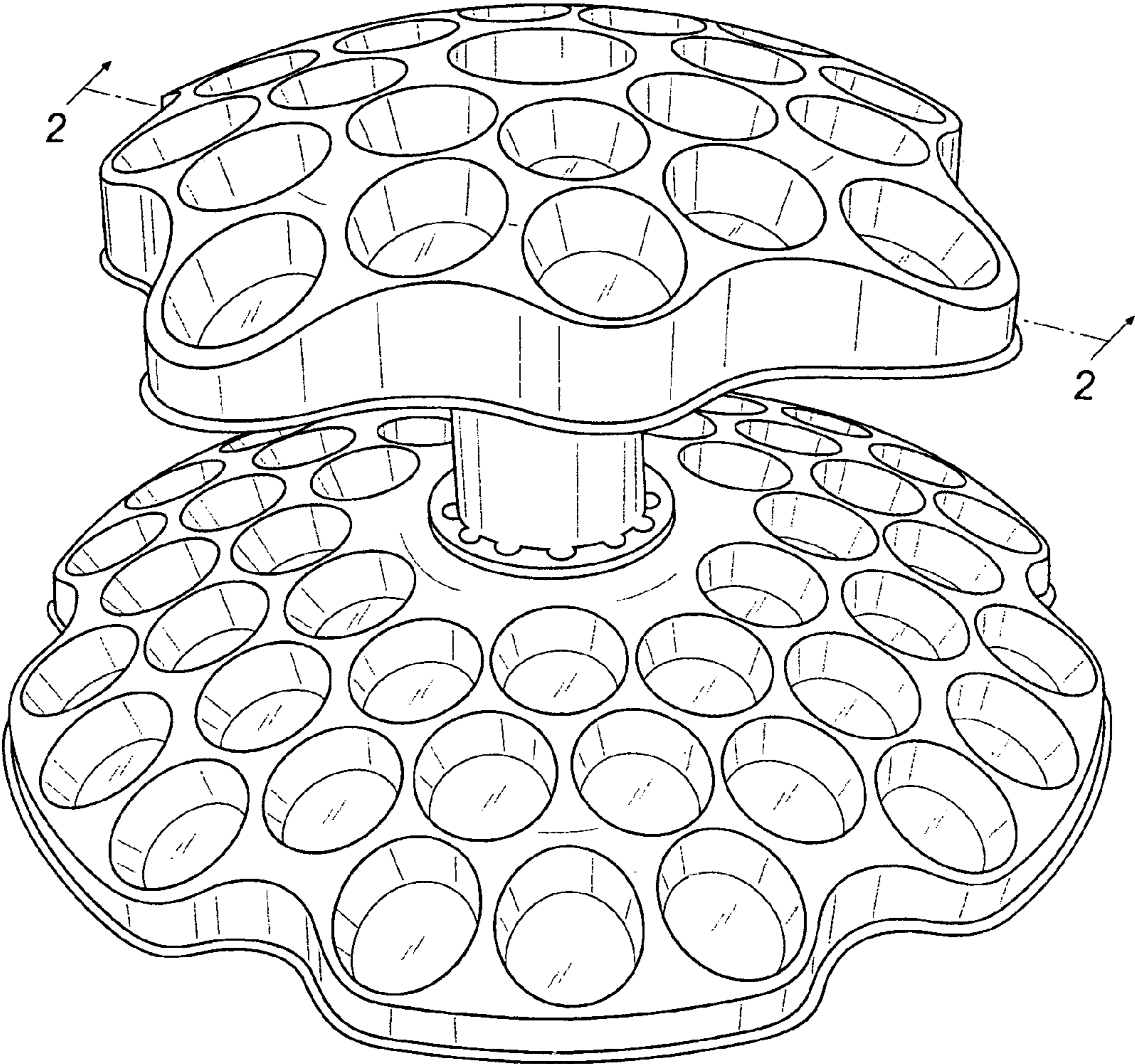


FIG. 1

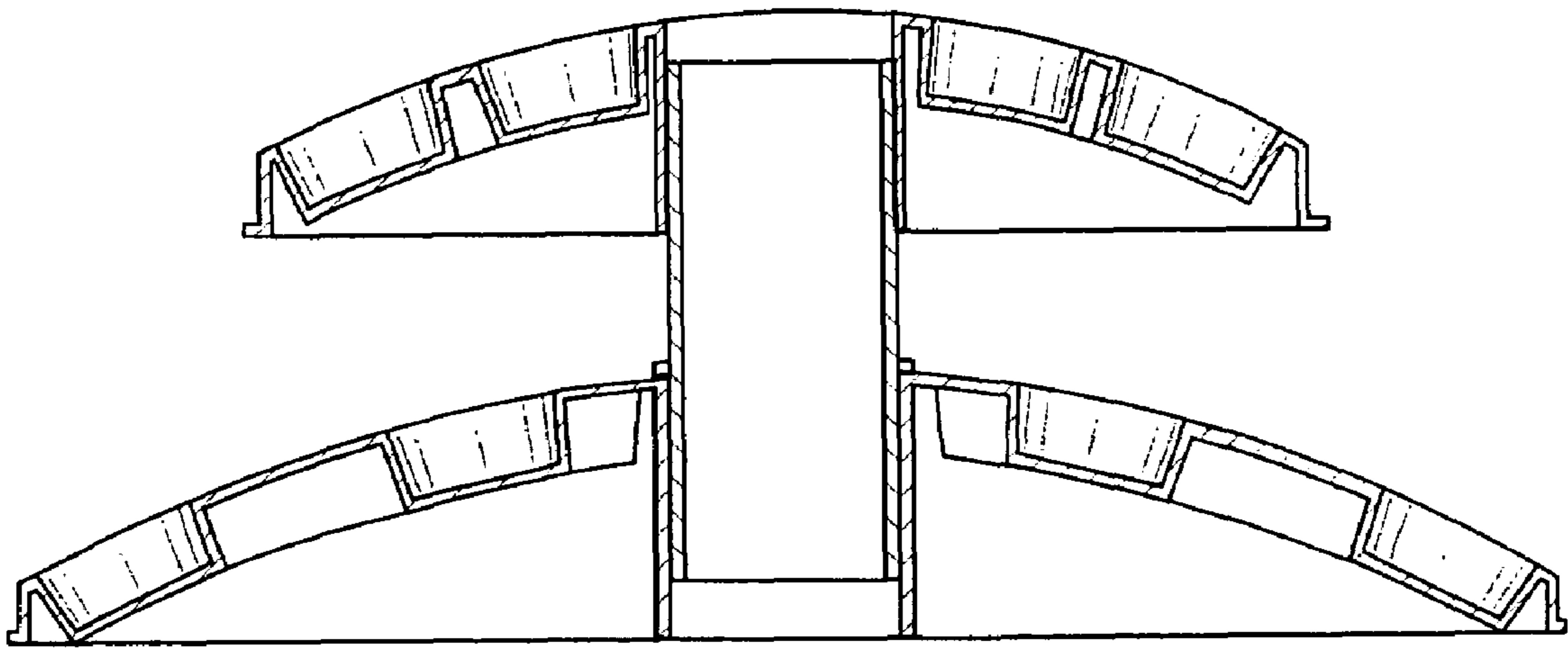


FIG. 2

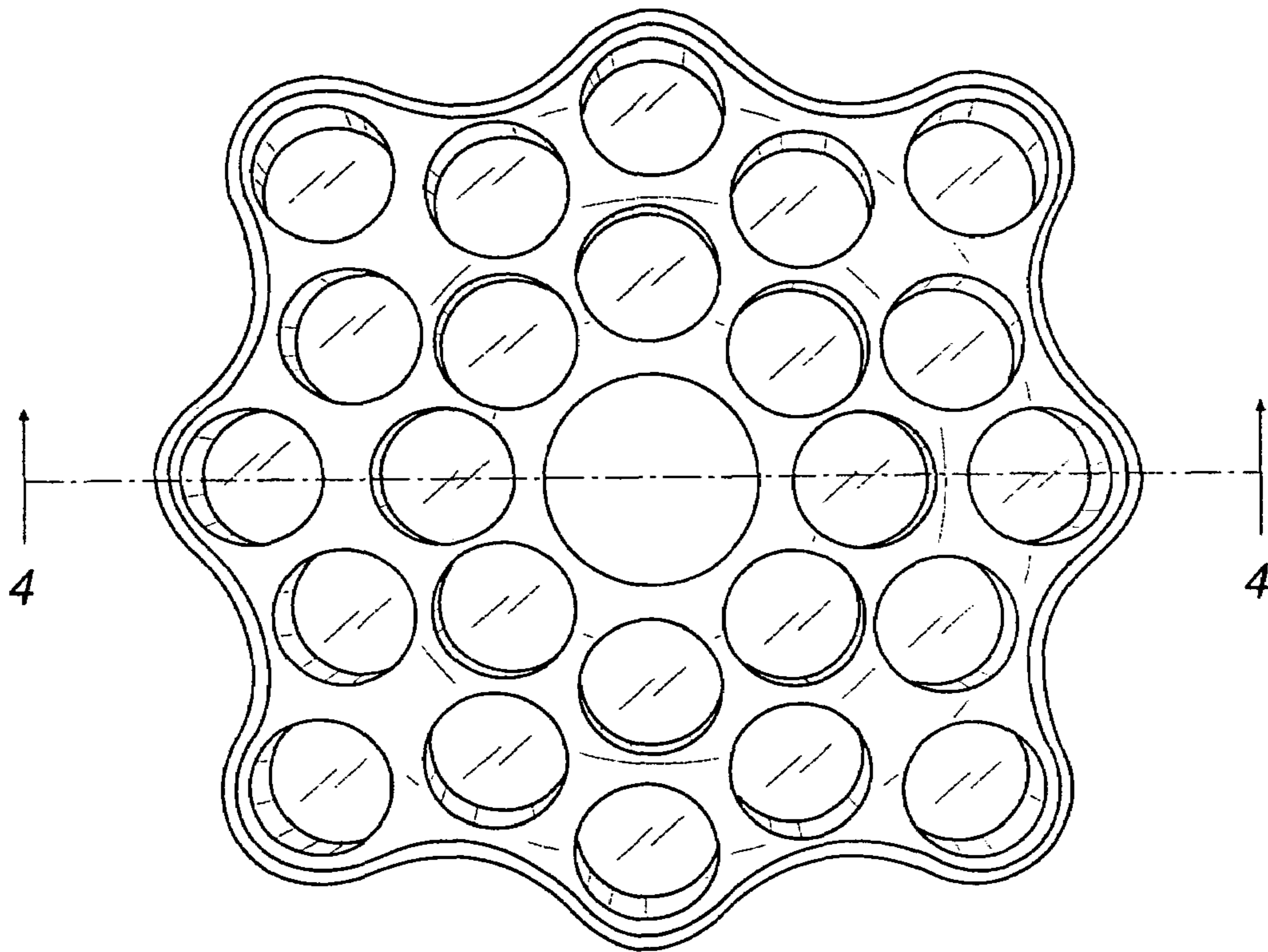


FIG. 3

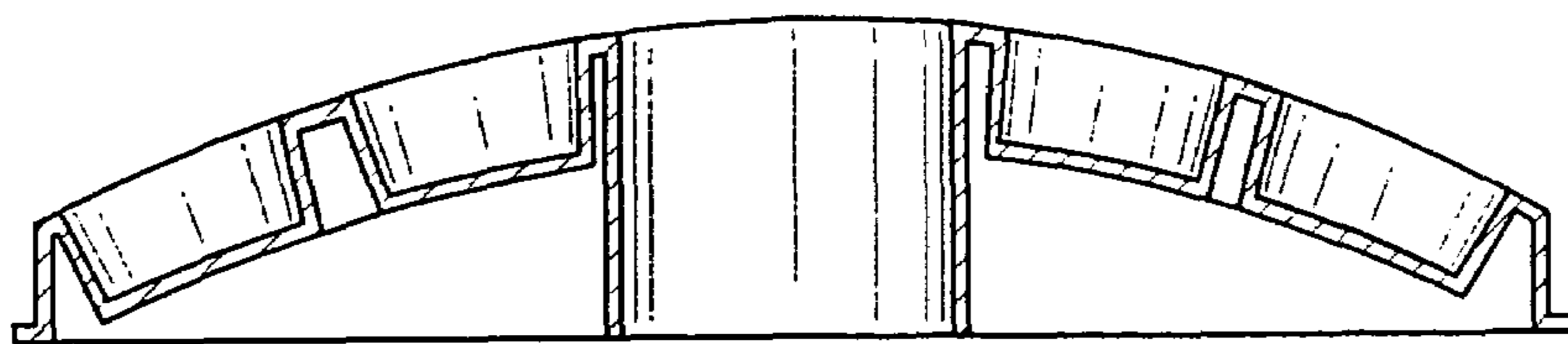


FIG. 4

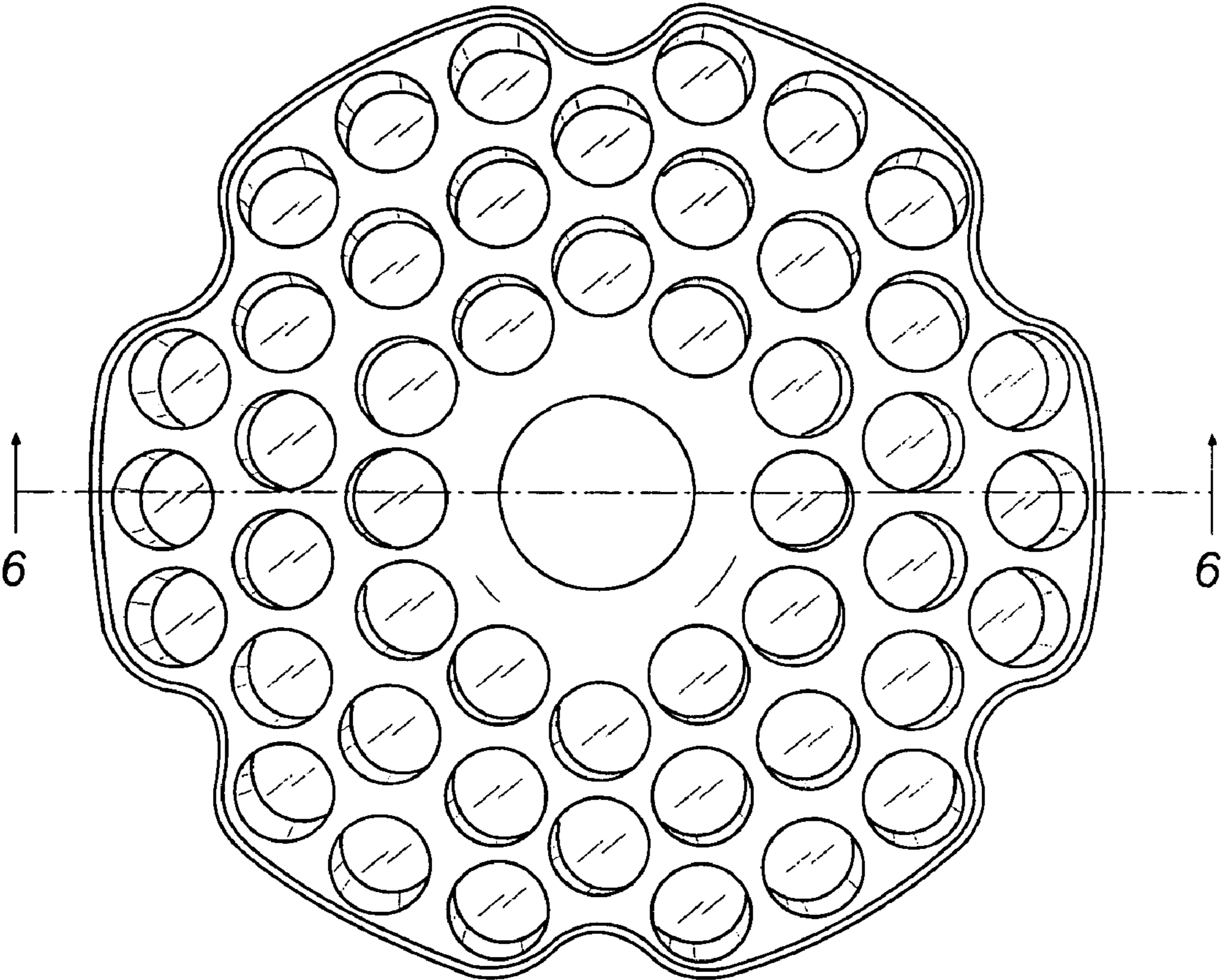


FIG. 5

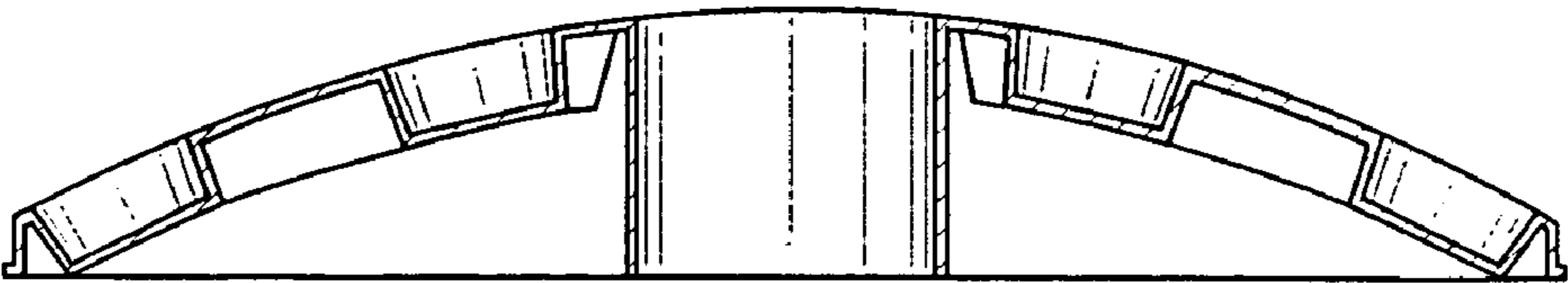


FIG. 6

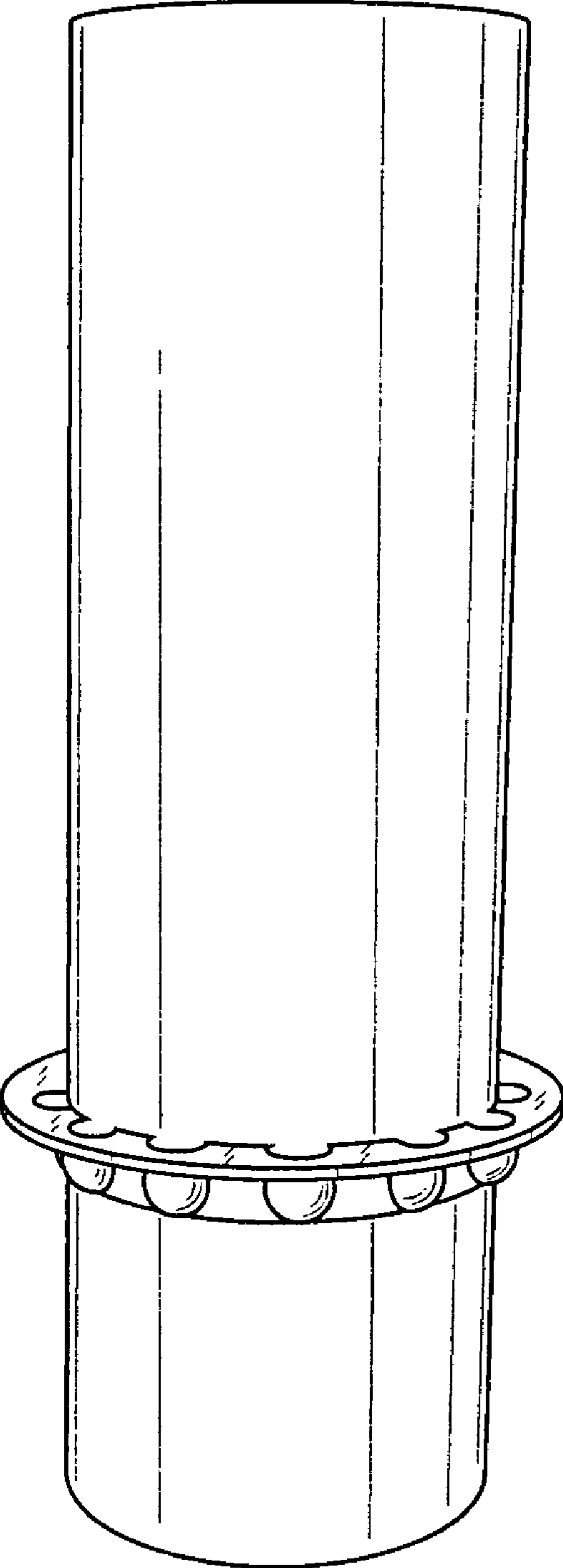


FIG. 7

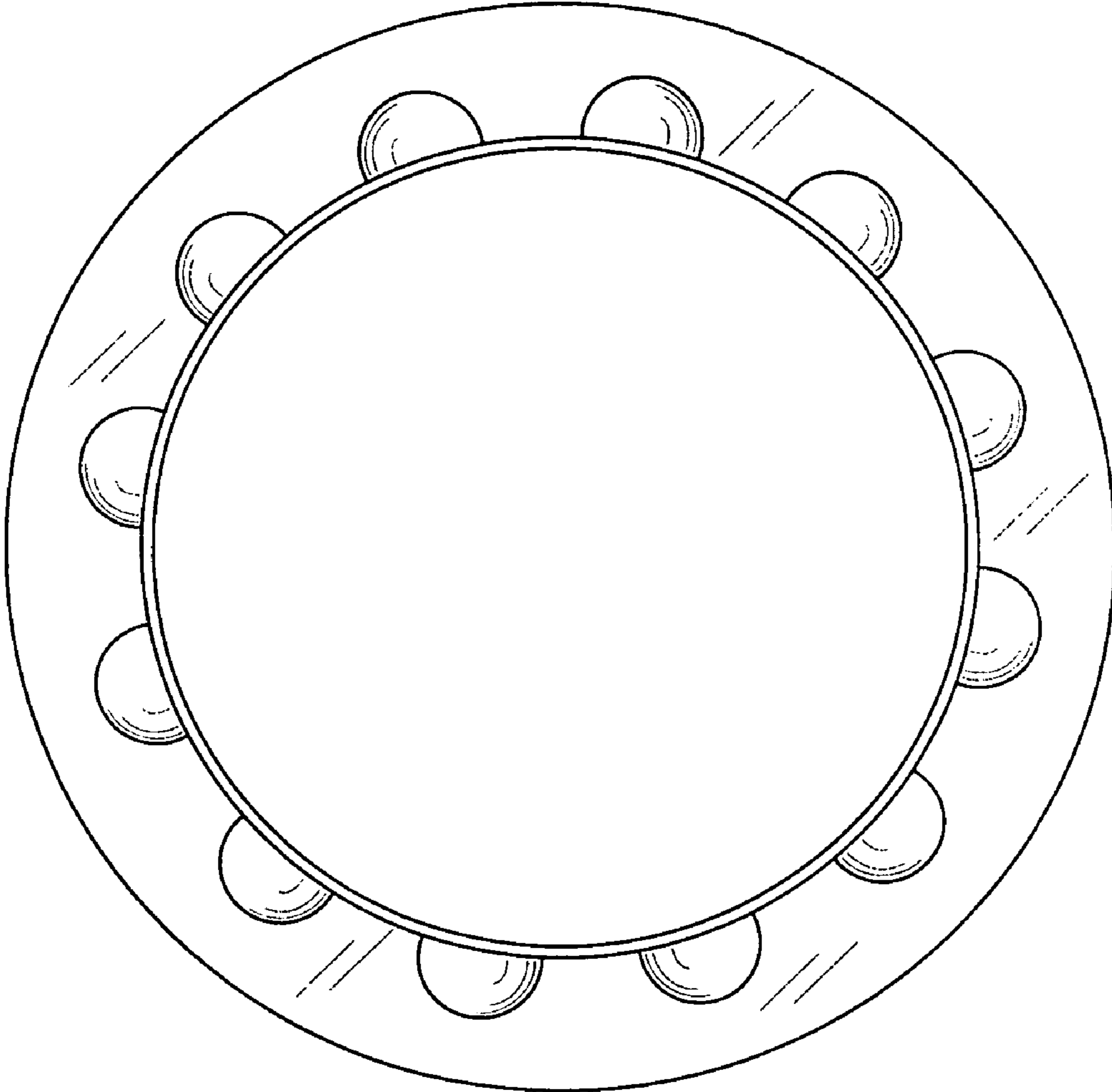


FIG. 8

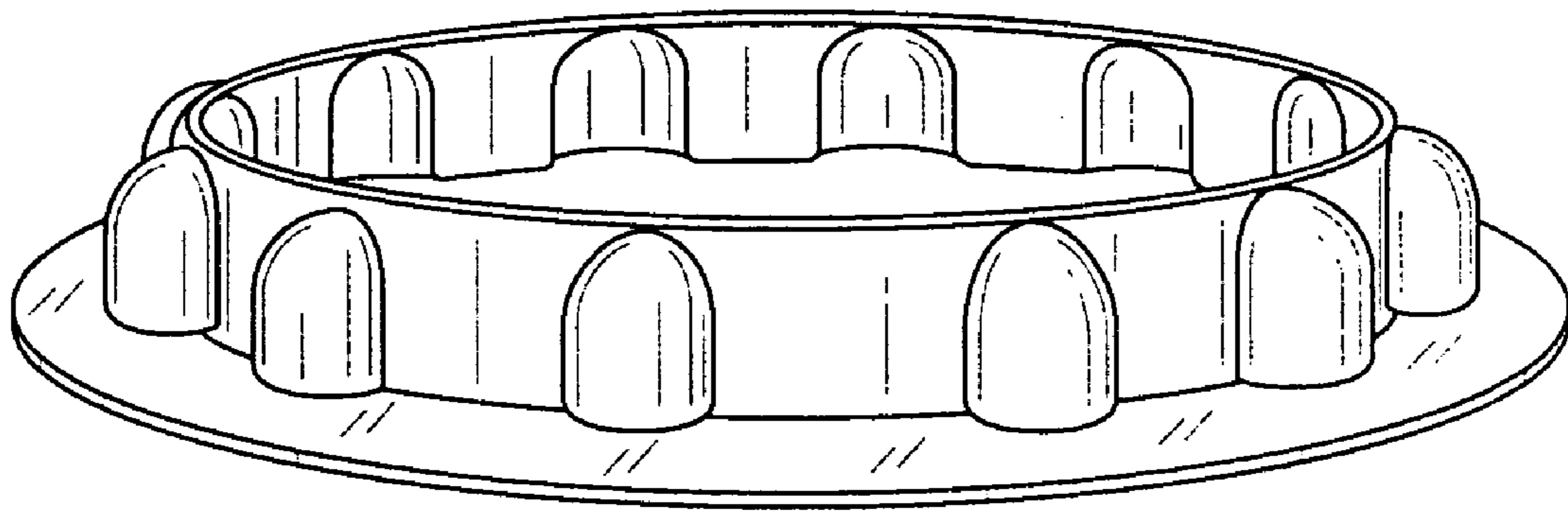


FIG. 9