



US00D604108S

(12) **United States Design Patent**
Paslawski

(10) **Patent No.:** **US D604,108 S**
(45) **Date of Patent:** **** Nov. 17, 2009**

(54) **COMBINATION COOLER AND BARBEQUE GRILL**

D479,440 S * 9/2003 Kennedy D7/605
6,612,127 B2 * 9/2003 Simmons 62/457.2
D514,891 S * 2/2006 Garcia et al. D7/605
D525,084 S * 7/2006 Willis D7/605

(75) Inventor: **Ray N. Paslawski**, Wildwood, MO (US)

* cited by examiner

(73) Assignee: **Positive Outcomes, Inc.**, Wildwood, MO (US)

Primary Examiner—Terry A Wallace

(**) Term: **14 Years**

(74) *Attorney, Agent, or Firm*—Polster, Lieder, Woodruff & Lucchesi, LC

(21) Appl. No.: **29/322,536**

(57) **CLAIM**

(22) Filed: **Aug. 6, 2008**

The ornamental design for a combination cooler and barbeque grill, as shown and described.

(51) **LOC (9) Cl.** **07-01**

(52) **U.S. Cl.** **D7/605; D7/332**

(58) **Field of Classification Search** D7/605–608,
D7/332, 334; 62/457.1–457.9, 371, 372;
220/915.1, 915.2, 592.01, 592.03, 592.09,
220/592.16, 592.2; 280/645, 655.1, 638,
280/652, 47.131, 47.17, 47.23, 47.2, 47.24,
280/47.21, 47.34

DESCRIPTION

See application file for complete search history.

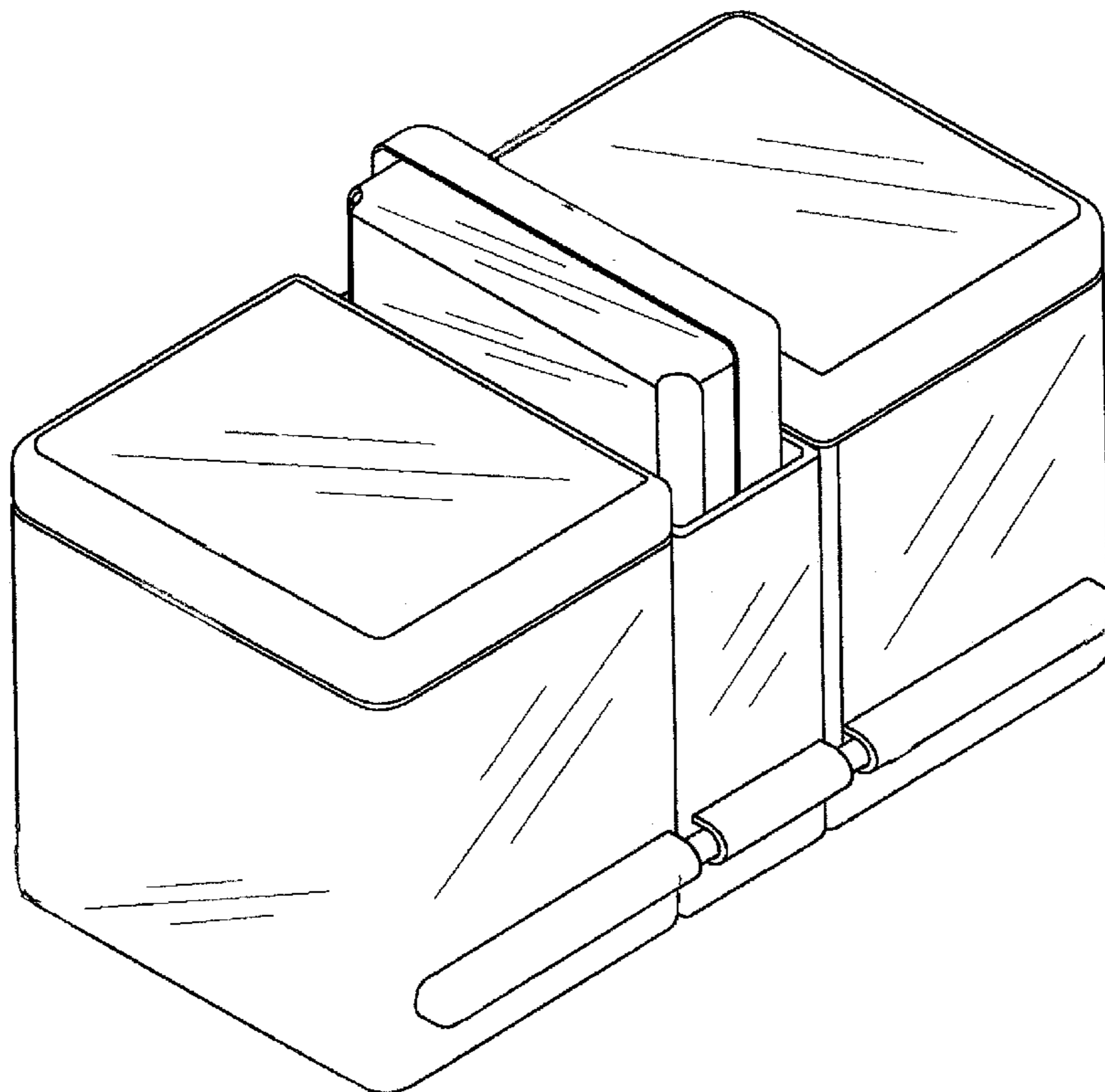
FIG. 1 is a front view of a combination cooler and barbeque grill showing my new design;
FIG. 2 is a rear view thereof;
FIG. 3 is a top side view thereof;
FIG. 4 is a bottom view thereof;
FIG. 5 is a left side view thereof;
FIG. 6 is a right side view thereof;
FIG. 7 is a perspective view thereof in an expanded state;
FIG. 8 is a front view thereof in an expanded state;
FIG. 9 is a rear view thereof in an expanded state; and,
FIG. 10 is a perspective view thereof.

(56) **References Cited**

U.S. PATENT DOCUMENTS

3,591,194 A * 7/1971 Vega 62/457.1
4,581,902 A * 4/1986 Starck et al. 62/258
D322,738 S * 12/1991 Onweiler D7/605
5,480,170 A * 1/1996 Kaiser, II 280/47.34
D414,987 S * 10/1999 Moffett et al. D7/605
6,216,488 B1 * 4/2001 Rucker 62/457.7

1 Claim, 10 Drawing Sheets



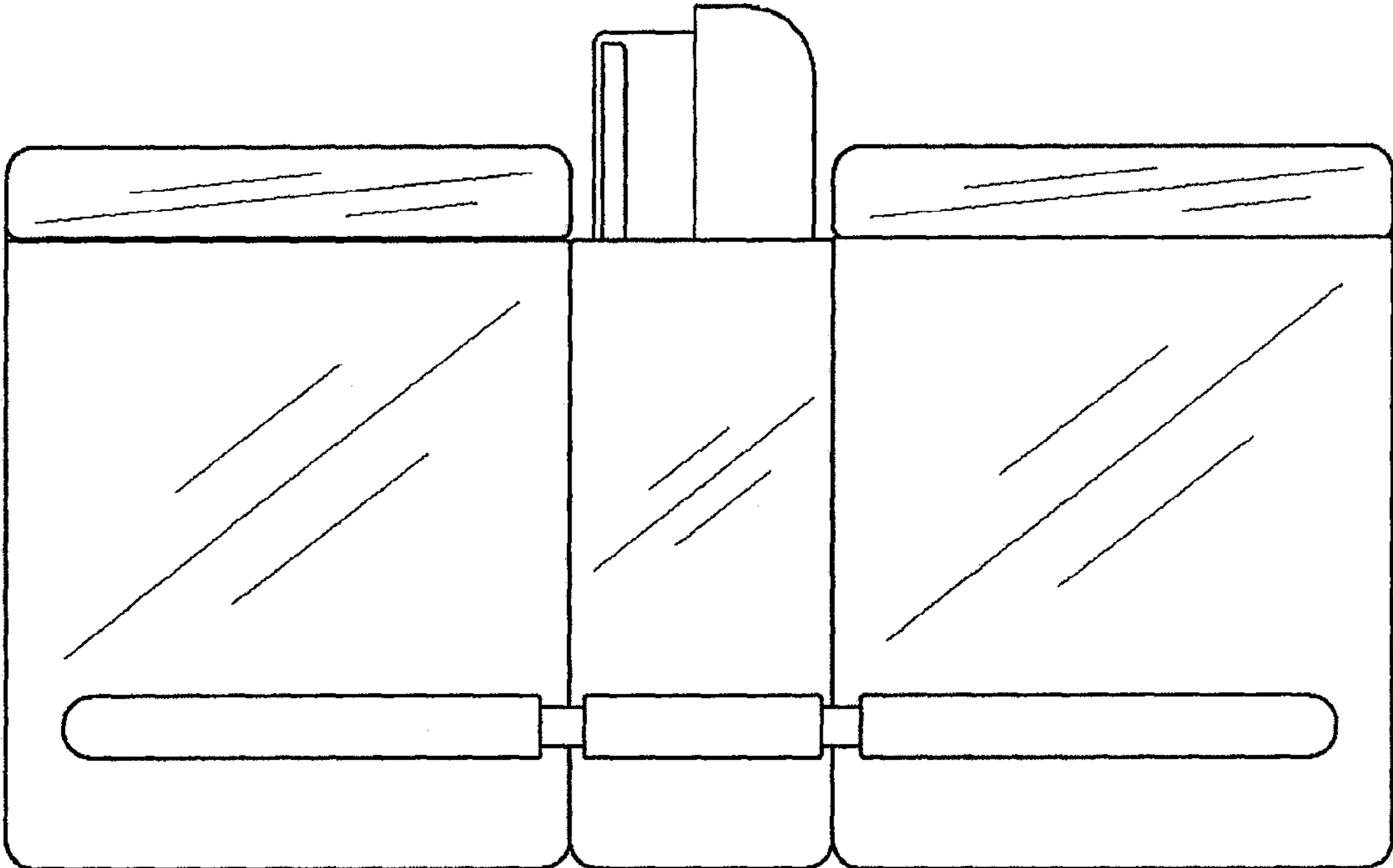


Fig. 1

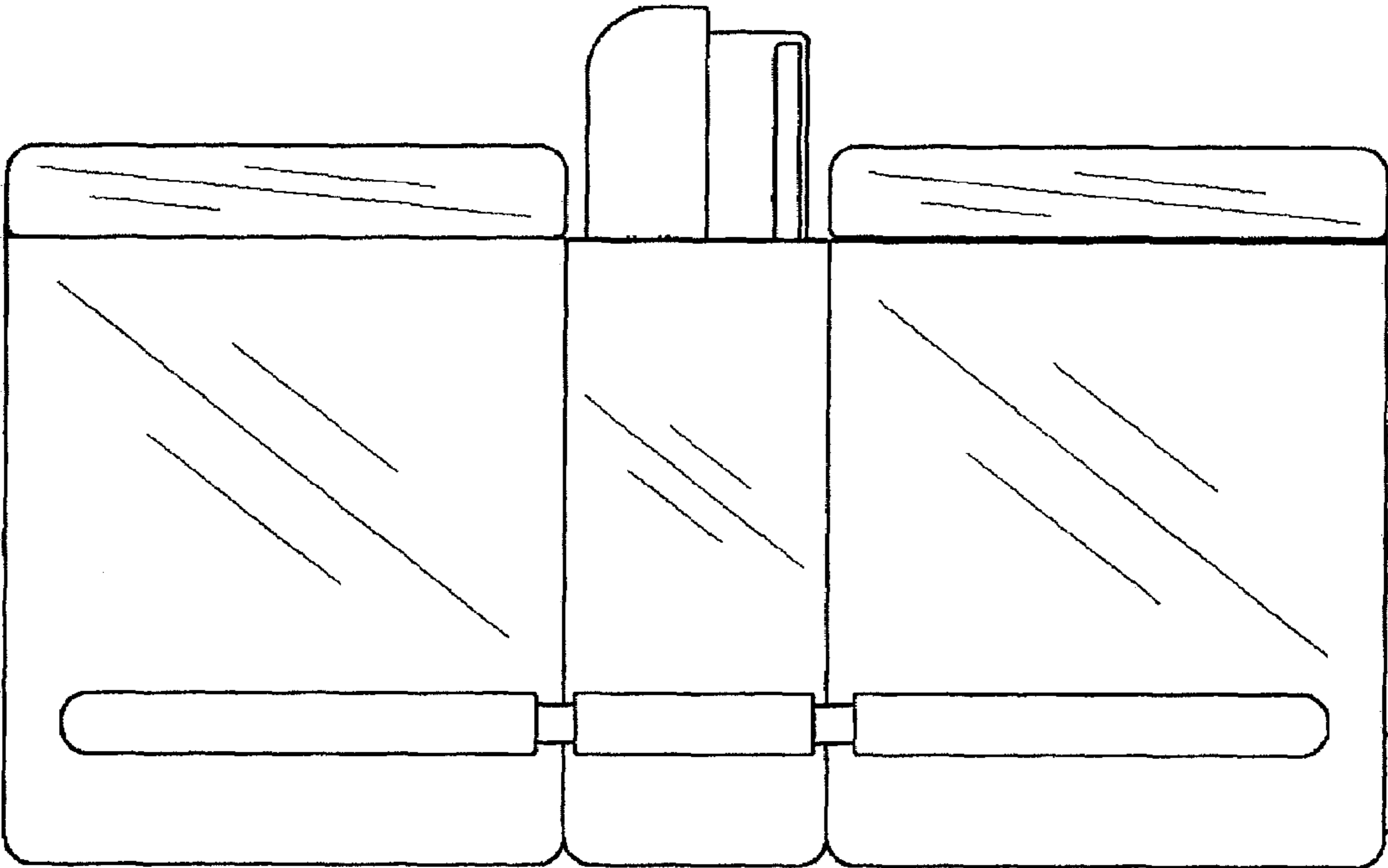


Fig. 2

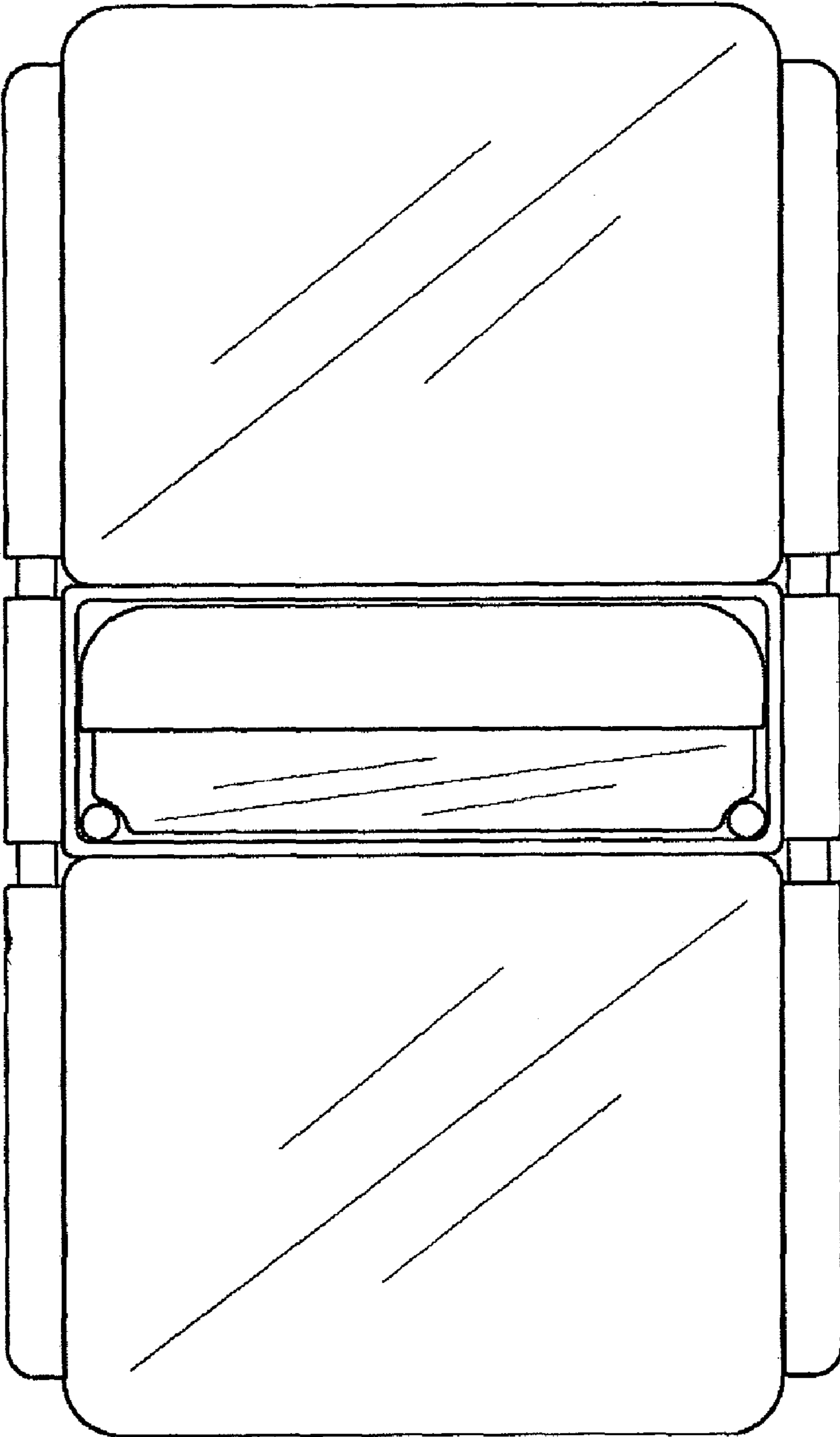


Fig. 3

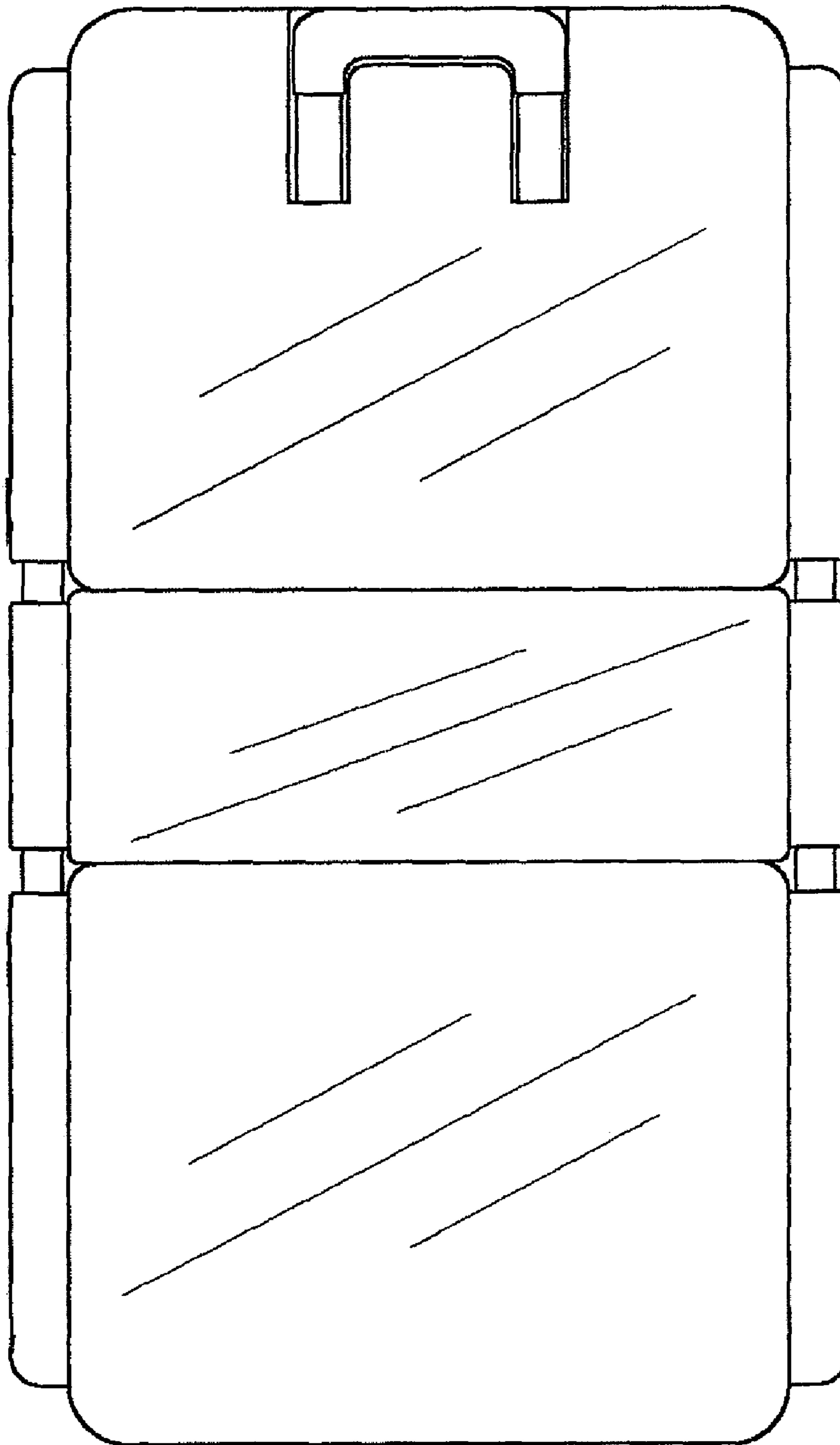


Fig. 4

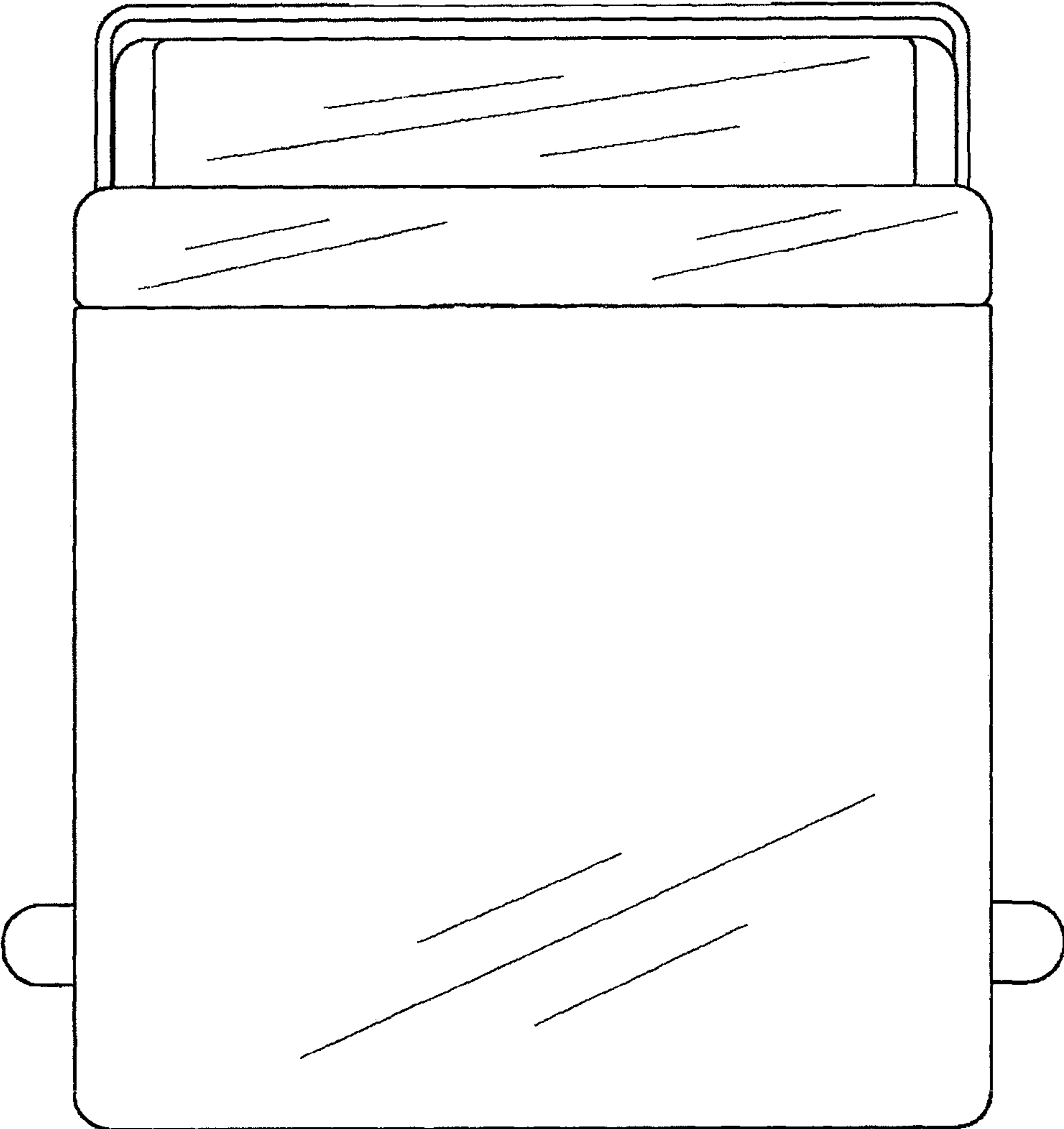


Fig. 5

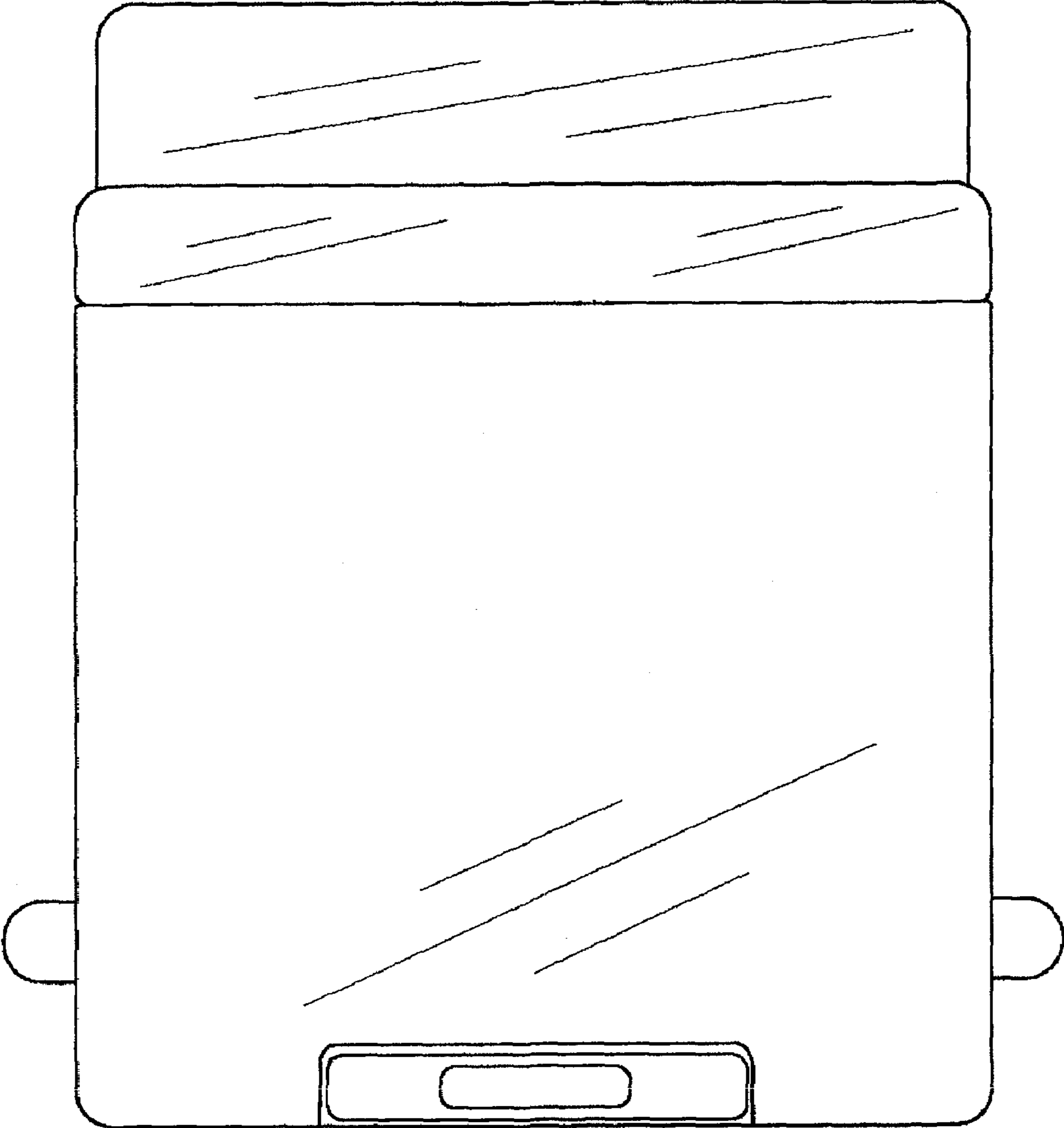


Fig. 6

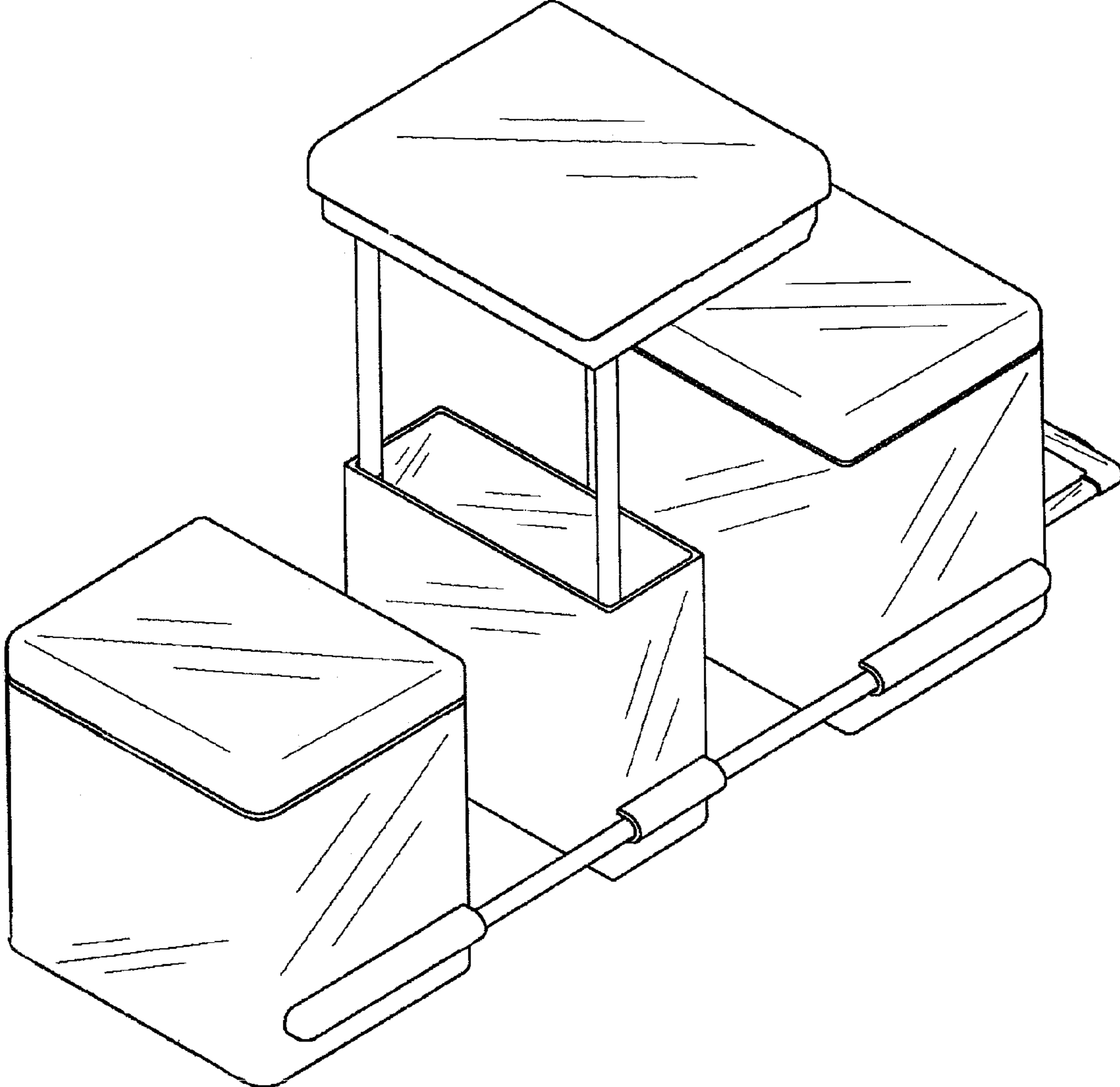


Fig. 7

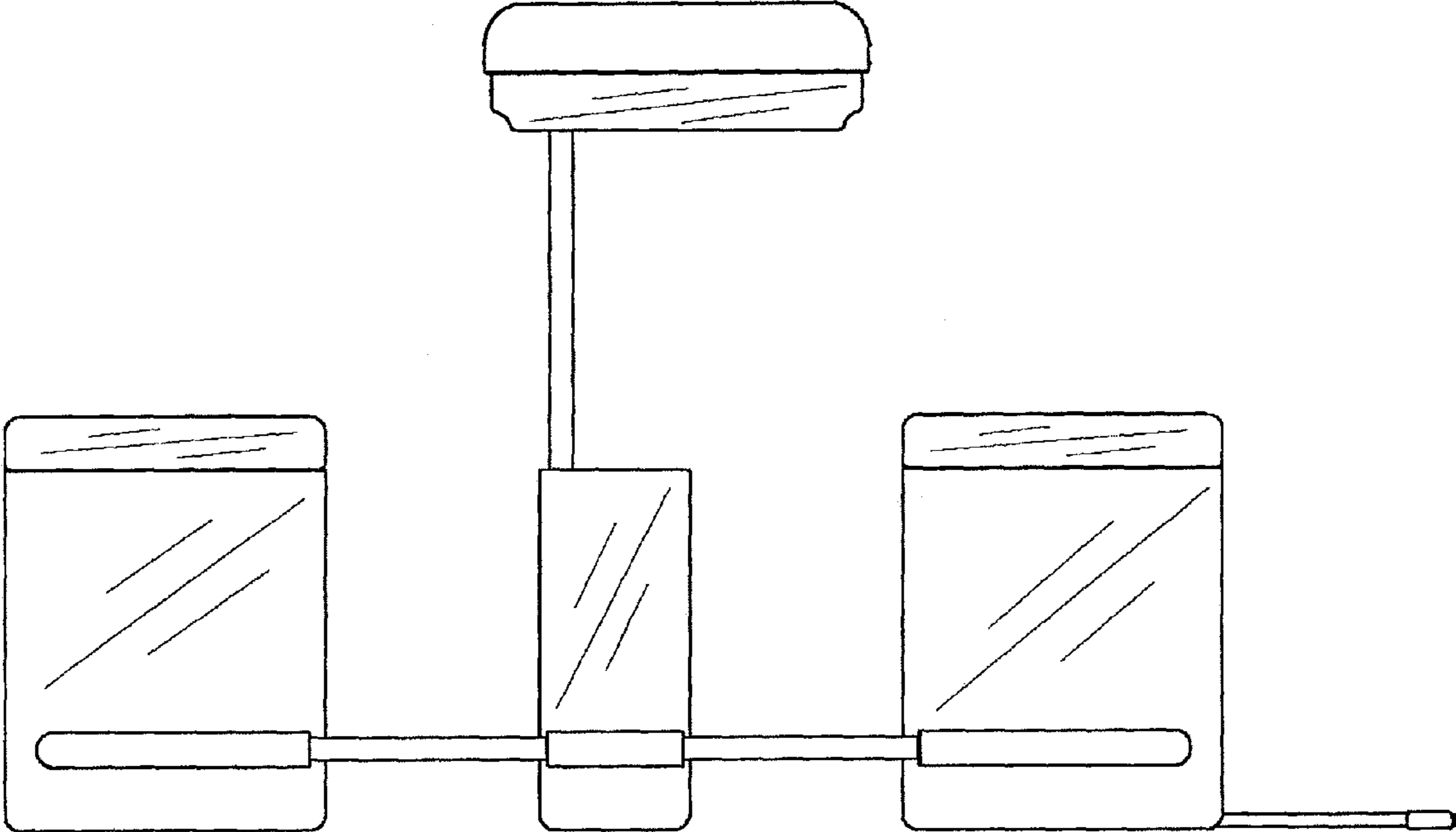


Fig. 8

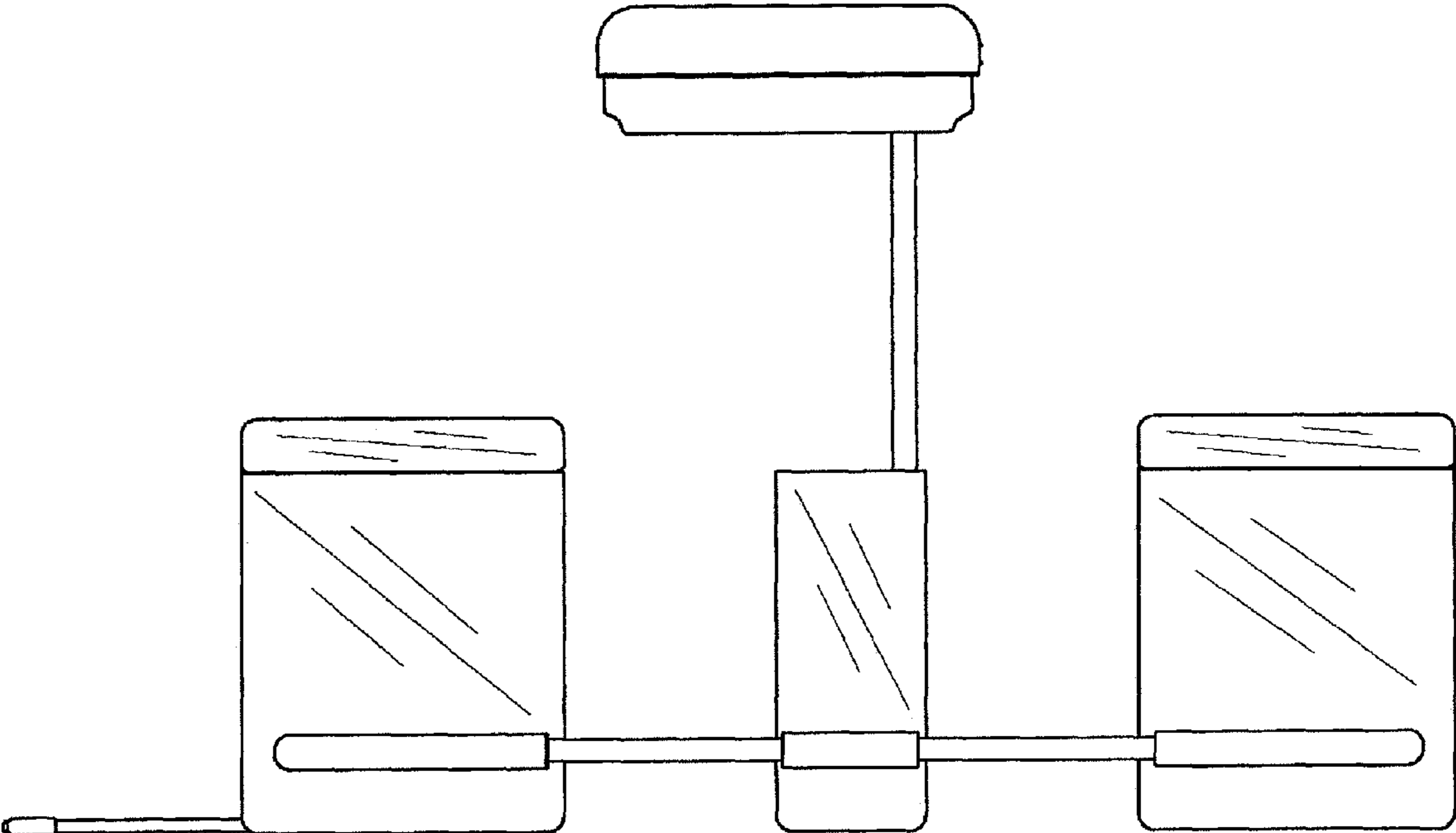


Fig. 9

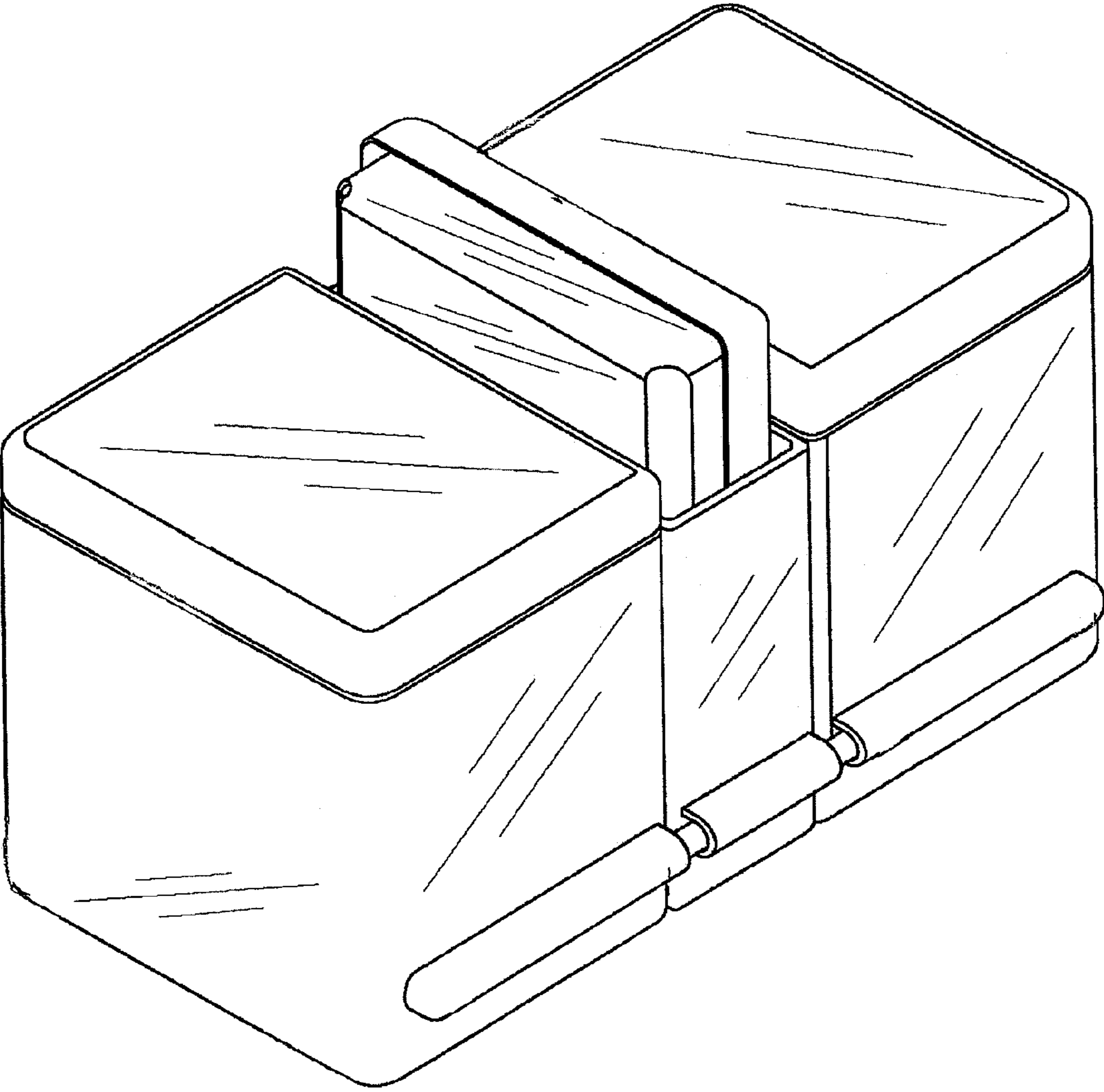


Fig. 10