

US00D604106S

(12) **United States Design Patent**  
**Gold et al.**

(10) **Patent No.:** **US D604,106 S**

(45) **Date of Patent:** **\*\* Nov. 17, 2009**

(54) **DISPOSABLE OR REUSABLE SERVING DISH**

(75) Inventors: **Gil Gold**, Skokie, IL (US); **Tamir Levy**, Skokie, IL (US)

(73) Assignee: **Gold & Levy, Inc.**, Skokie, IL (US)

(\*\*) Term: **14 Years**

(21) Appl. No.: **29/318,218**

(22) Filed: **May 15, 2008**

(51) **LOC (9) Cl.** ..... **07-01**

(52) **U.S. Cl.** ..... **D7/559; D7/564; D7/567; D7/568; D7/576; D7/518**

(58) **Field of Classification Search** ..... D7/514, D7/515, 518, 521, 544, 563, 564, 567, 568, D7/571, 572, 700, 400, 396.1, 396.2, 559, D7/576; 99/280; D8/1; 220/703, 705  
See application file for complete search history.

(56) **References Cited**

**U.S. PATENT DOCUMENTS**

D48,809	S	*	4/1916	Baldwin	.....	D7/518
1,425,100	A	*	8/1922	Newton et al.	.....	141/201
D71,116	S	*	9/1926	Paye	.....	D7/559
1,948,932	A	*	2/1934	McMickle	.....	220/23.83
D98,323	S	*	1/1936	Heidrich	.....	D7/518
D145,976	S	*	11/1946	Dreitzer	.....	D7/564
2,685,761	A	*	8/1954	Schlessor	.....	47/48.5
3,146,955	A	*	9/1964	Sabuco	.....	362/122
3,181,415	A	*	5/1965	Laing	.....	353/58
D213,292	S	*	2/1969	Arsenault et al.	.....	D24/121
3,944,138	A	*	3/1976	Easton	.....	239/18
D274,068	S	*	5/1984	Sverdlin	.....	D26/138
D281,847	S	*	12/1985	Laslo	.....	D7/518
D299,301	S	*	1/1989	Wirth	.....	D7/700
5,233,941	A	*	8/1993	Ayliffe et al.	.....	119/57.91
5,309,820	A	*	5/1994	Baxter et al.	.....	99/280
5,756,166	A	*	5/1998	Shinohara	.....	428/24
5,794,672	A	*	8/1998	Goldberg	.....	141/331

D404,981	S	*	2/1999	Wu	.....	D8/1
D431,978	S	*	10/2000	Mayhill	.....	D8/1
D446,852	S	*	8/2001	Johansen et al.	.....	D24/109
6,347,479	B1	*	2/2002	Greenberg et al.	.....	47/48.5
D456,225	S	*	4/2002	Kohn et al.	.....	D8/2
6,383,164	B1	*	5/2002	Johansen et al.	.....	604/74
6,397,907	B1	*	6/2002	Heintz	.....	141/338
6,439,419	B1	*	8/2002	Darabi	.....	220/703
D499,315	S	*	12/2004	Settele	.....	D7/700
D514,901	S	*	2/2006	Wang	.....	D7/700
7,114,536	B2	*	10/2006	Guthrie	.....	141/337
7,308,920	B1	*	12/2007	Theis et al.	.....	141/331
D559,470	S	*	1/2008	Stevens et al.	.....	D30/121
D560,105	S	*	1/2008	McKenzie	.....	D7/700
D562,091	S	*	2/2008	Shlomo et al.	.....	D7/700
D592,457	S	*	5/2009	Mansfield	.....	D7/523
D593,800	S	*	6/2009	Hone	.....	D7/506

\* cited by examiner

*Primary Examiner*—Marianne Pandozzi  
(74) *Attorney, Agent, or Firm*—Ungaretti & Harris LLP

(57) **CLAIM**

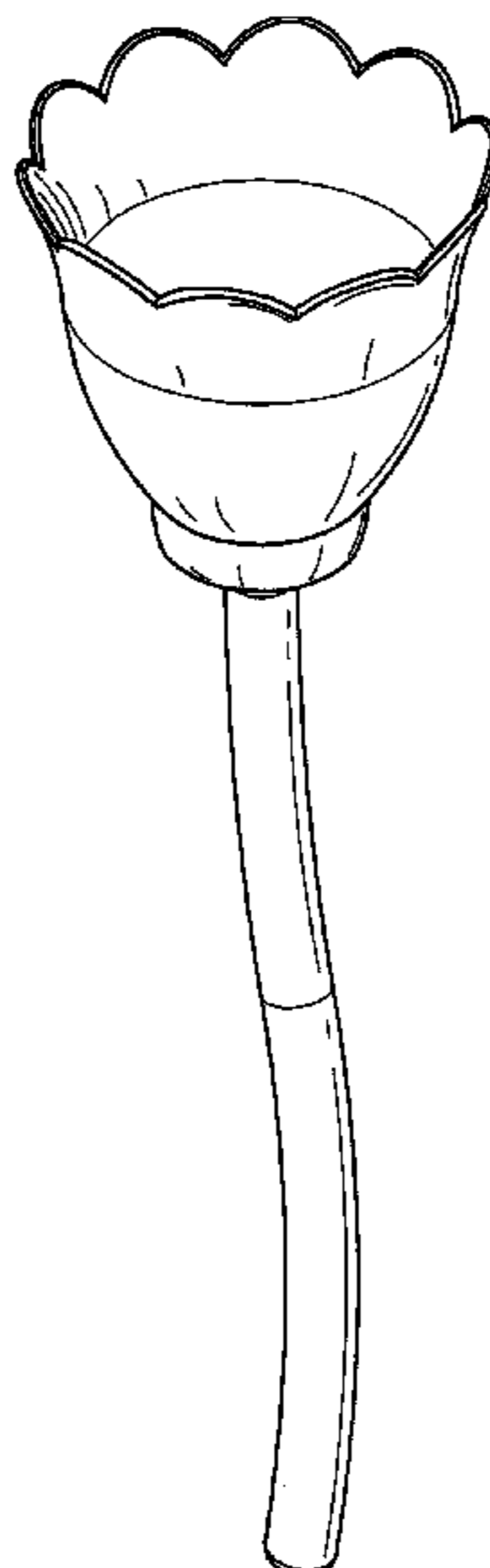
We claim the ornamental design for a disposable or reusable serving dish, as shown and described.

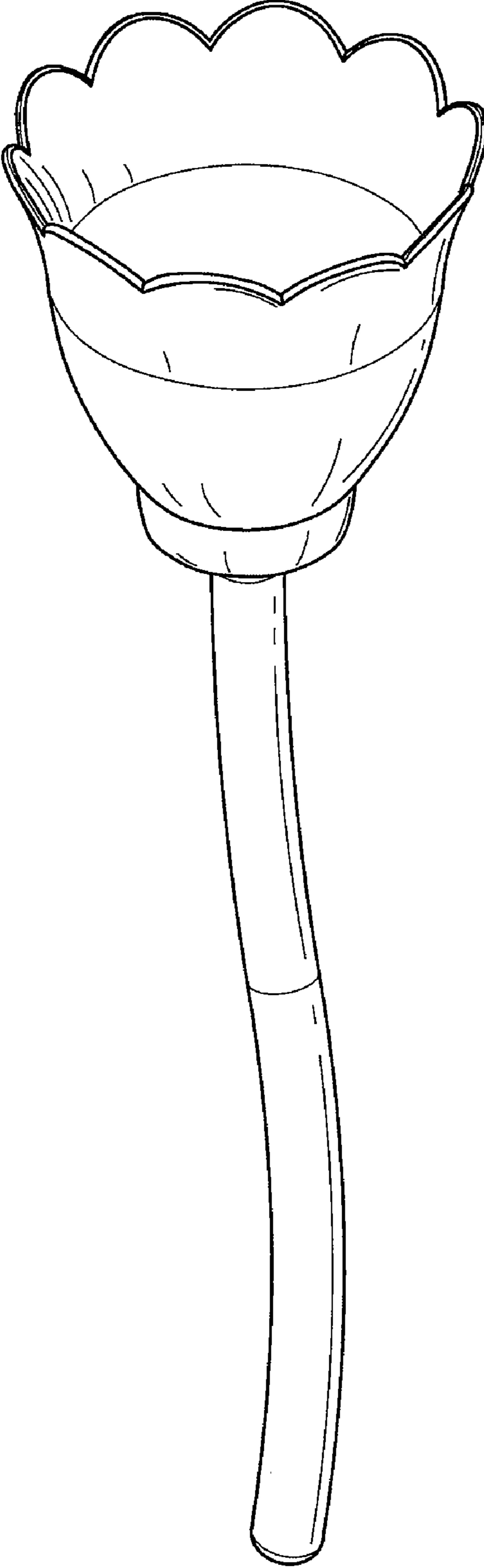
**DESCRIPTION**

FIG. 1 is a perspective view of a disposable or reusable serving dish of the present invention;  
FIG. 2 is a side elevational view thereof;  
FIG. 3 is a front elevational view thereof;  
FIG. 4 is a side elevational view thereof;  
FIG. 5 is a rear elevational view thereof;  
FIG. 6 is an enlarged bottom plan view thereof; and,  
FIG. 7 is an enlarged top plan view thereof.

The broken lines in the drawings are included for the purpose of illustration and form no part of the claimed design.

**1 Claim, 7 Drawing Sheets**





**FIGURE 1**

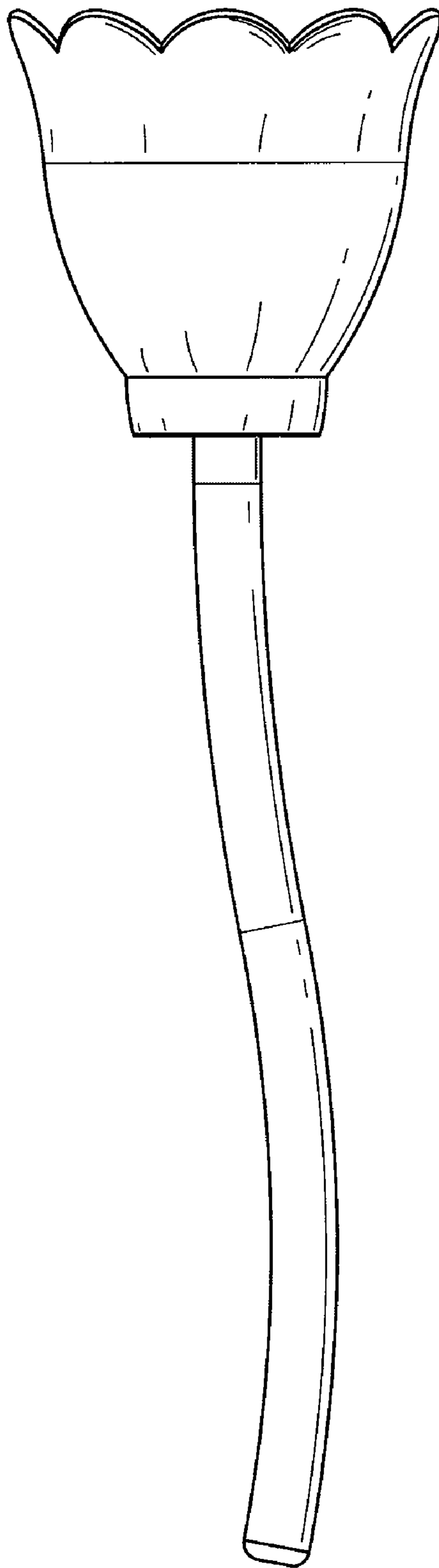
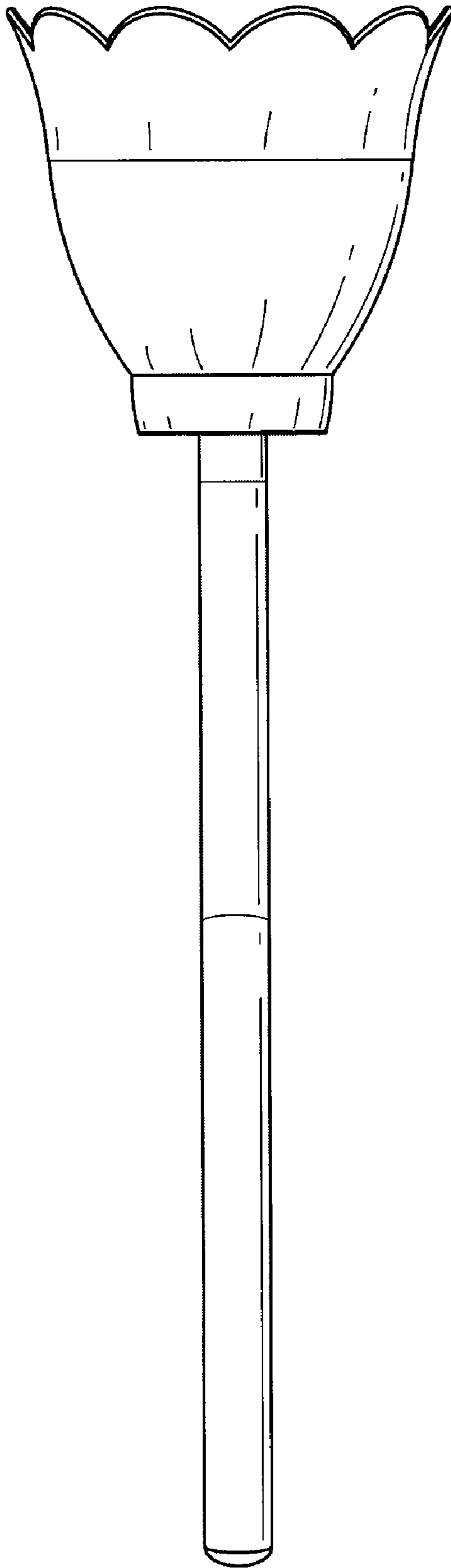


FIGURE 2



**FIGURE 3**

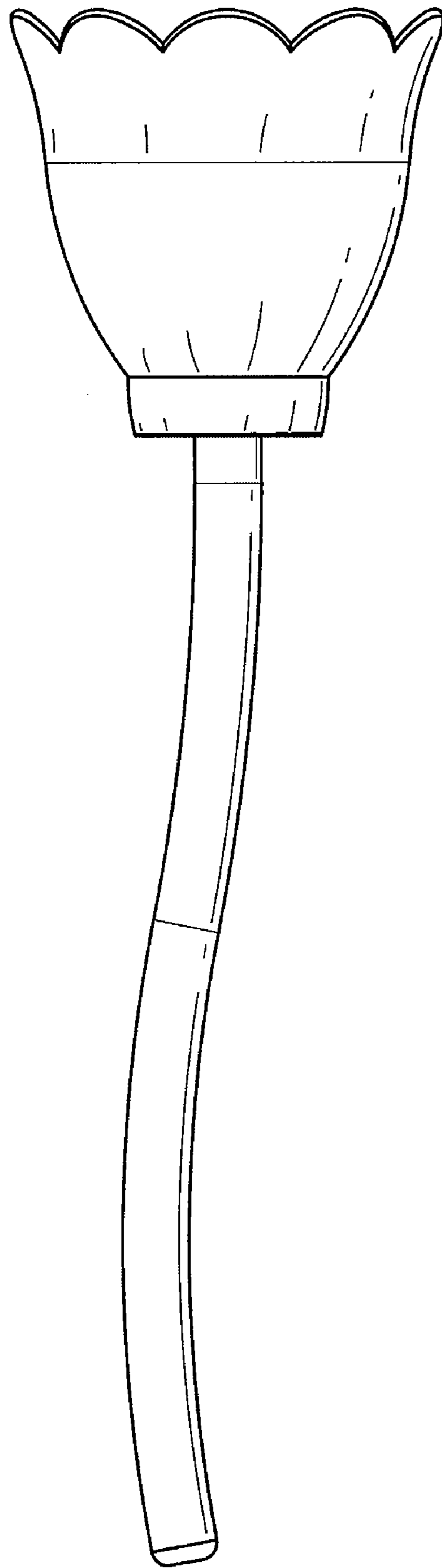


FIGURE 4

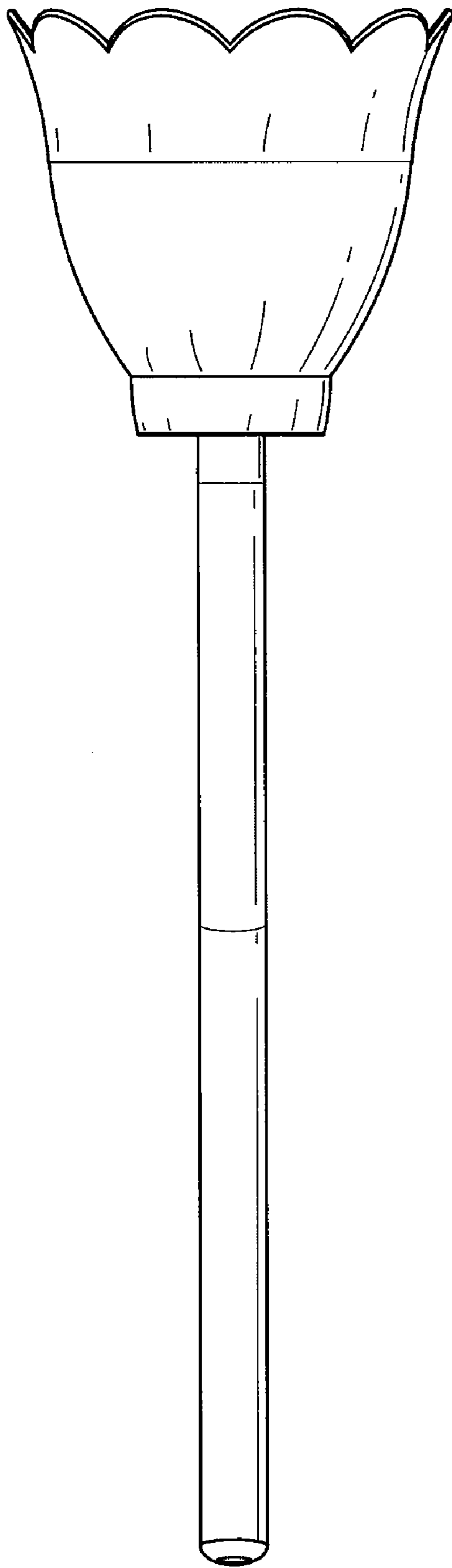
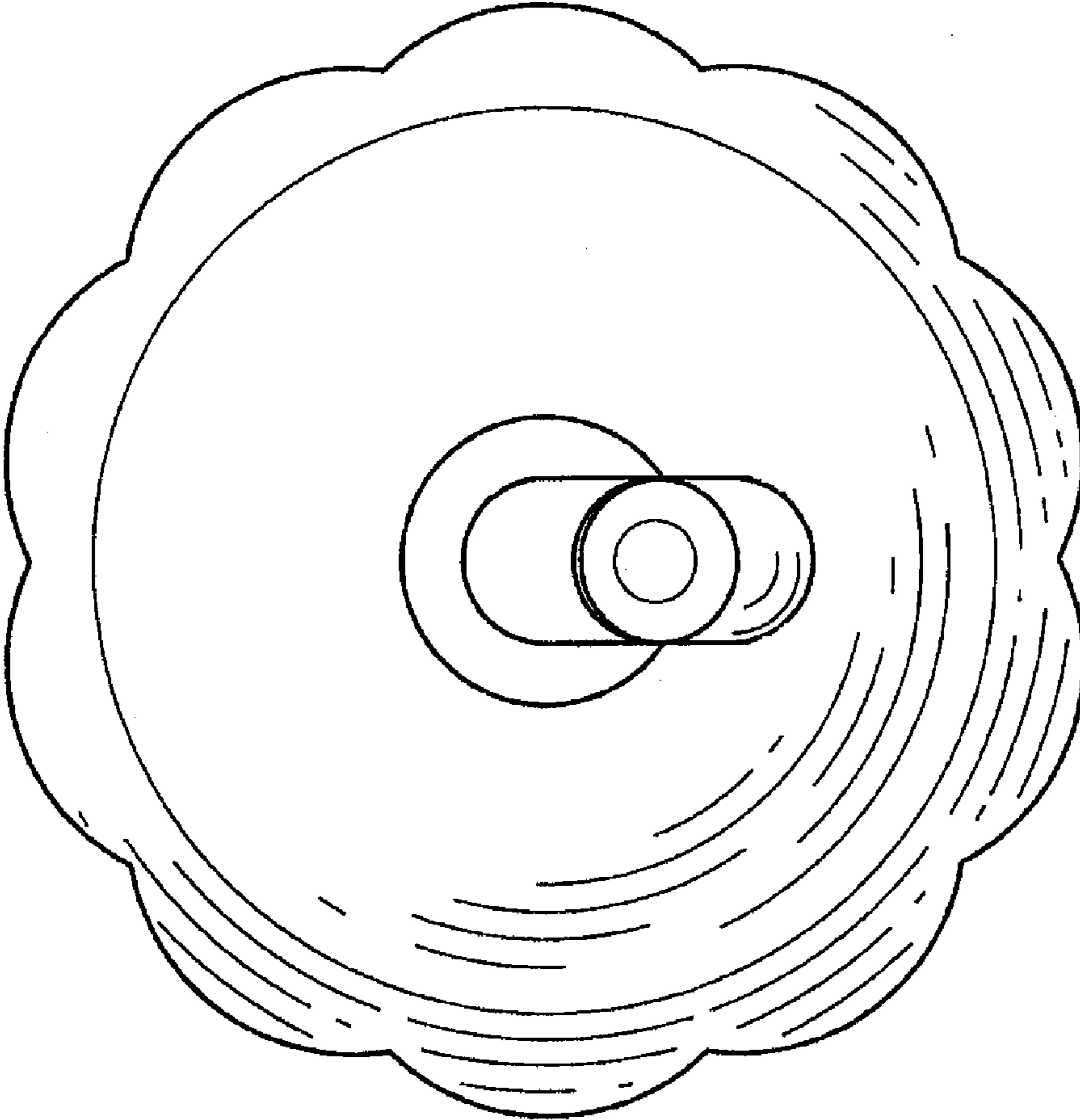
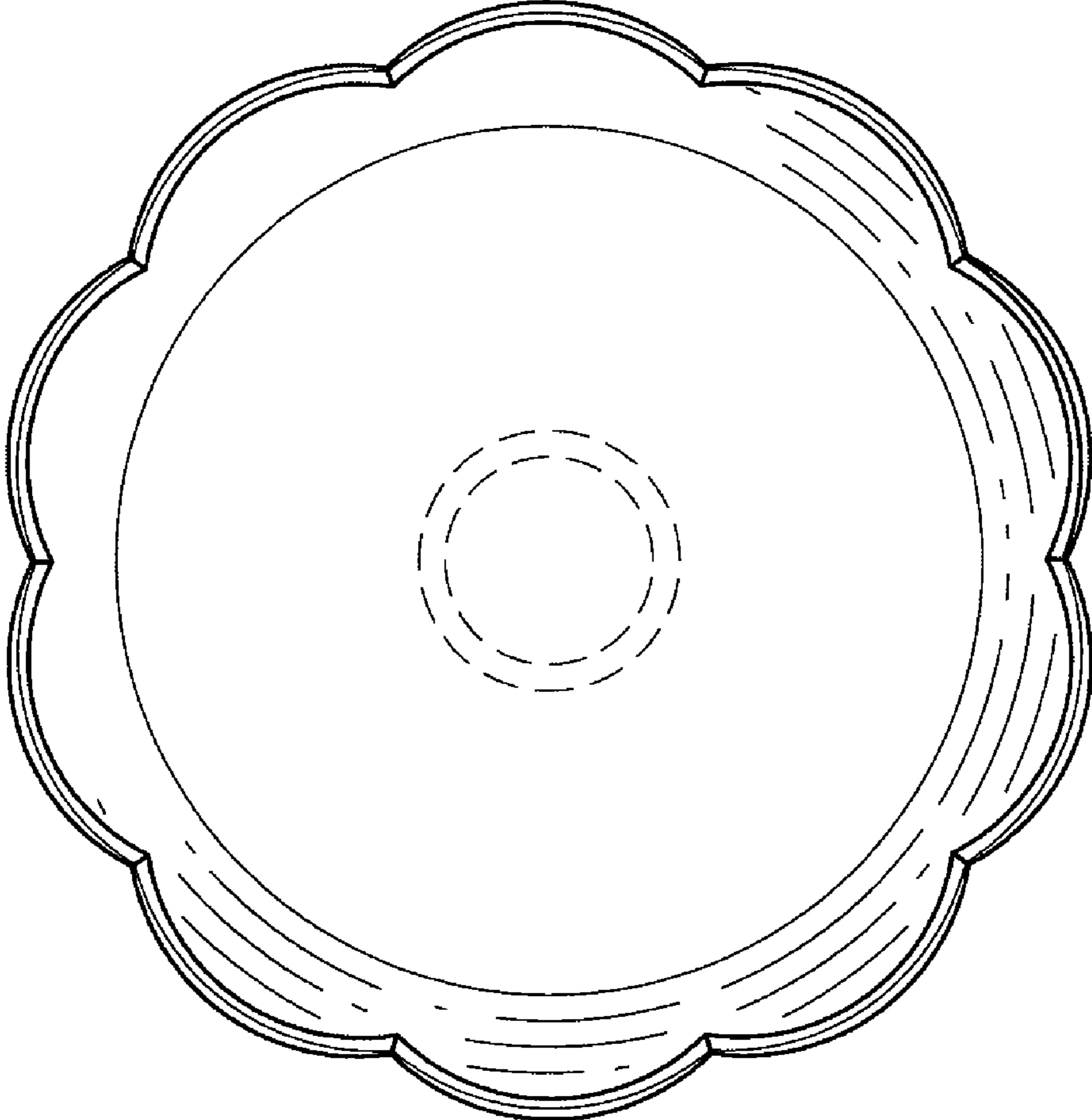


FIGURE 5



**FIGURE 6**



**FIGURE 7**