



US00D604101S

(12) **United States Design Patent**  
**Sands**

(10) **Patent No.:** **US D604,101 S**

(45) **Date of Patent:** **\*\* Nov. 17, 2009**

(54) **DUAL BLENDER BLADE**

(75) Inventor: **Lenny Sands**, Los Angeles, CA (US)

(73) Assignee: **Bullet Express, LLC**, Sherman Oaks, CA (US)

(\*\*) Term: **14 Years**

(21) Appl. No.: **29/334,798**

(22) Filed: **Apr. 1, 2009**

(51) **LOC (9) Cl.** ..... **07-02**

(52) **U.S. Cl.** ..... **D7/412; D7/376; D7/378; D7/384**

(58) **Field of Classification Search** ..... D7/306-313, D7/317-318, 326, 356, 376-386, 392, 397-399, D7/412-415, 607, 665, 693; D15/12, 28, D15/138; 99/348, 509-511; 241/101.1, 241/101.2, 199.12, 274-278.2, 282.1, 282.2, 241/285.1-285.3, 291, 292.1; 366/64-67, 366/98, 129, 192, 197-211, 205-206, 251, 366/270, 279-292, 312, 327.3, 343  
See application file for complete search history.

(56) **References Cited**

**U.S. PATENT DOCUMENTS**

3,156,278	A	11/1964	Otto	
3,175,594	A	3/1965	Jepson et al.	
3,315,946	A	4/1967	Nissman	
3,461,933	A *	8/1969	Mantelet	241/199.12
4,173,310	A *	11/1979	Schaeffer	241/282.1
4,462,694	A	7/1984	Ernster et al.	
4,733,827	A *	3/1988	Williams	241/101.2
4,752,041	A *	6/1988	Franke et al.	241/282.1
4,817,878	A *	4/1989	Shibata	241/282.2
4,930,709	A *	6/1990	Steffens	241/282.2

D339,502	S *	9/1993	Kamiyama	D7/384
5,487,511	A	1/1996	Sansone et al.	
D395,573	S *	6/1998	Leverrier	D7/381
6,012,837	A	1/2000	Thuma	
D421,201	S *	2/2000	Crescenzi et al.	D7/412
D421,546	S *	3/2000	Ekstrom	D7/412
6,092,922	A	7/2000	Kett et al.	
6,532,863	B1 *	3/2003	Lee	99/348
6,632,013	B2	10/2003	Wulf et al.	
6,666,574	B1	12/2003	Pryor	
6,834,818	B2 *	12/2004	Lee	241/292.1

\* cited by examiner

*Primary Examiner*—Caron Veynar

*Assistant Examiner*—Ricky Pham

(74) *Attorney, Agent, or Firm*—Cislo & Thomas, LLP

(57) **CLAIM**

I claim the ornamental design for a dual blender blade, as shown and described.

**DESCRIPTION**

FIG. 1 is a top perspective view of a dual blender blade, showing my new design;

FIG. 2 is a bottom perspective view thereof;

FIG. 3 is a front view thereof;

FIG. 4 is a back view thereof;

FIG. 5 is a left side view thereof;

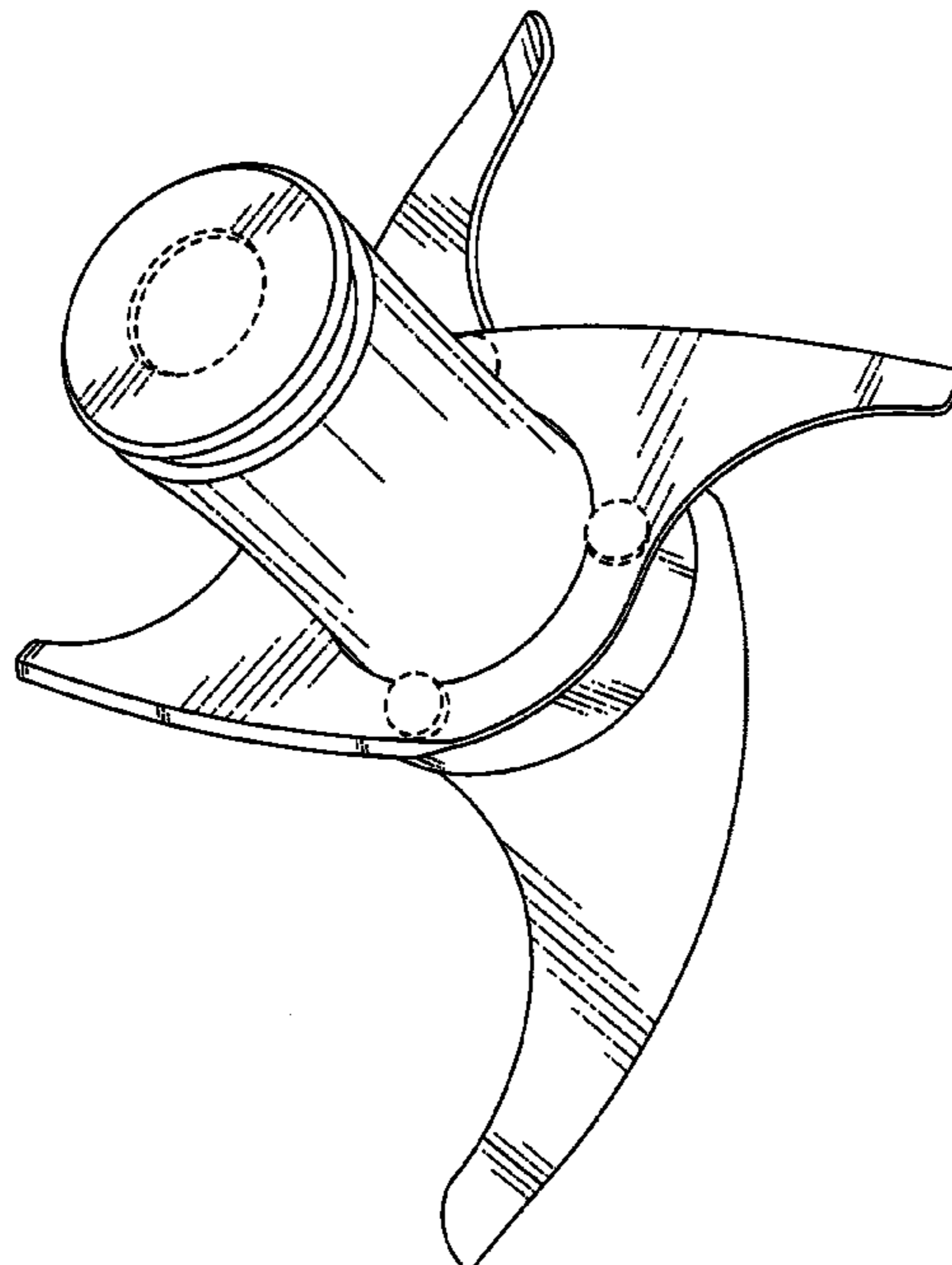
FIG. 6 is a right side view thereof;

FIG. 7 is a top view thereof; and,

FIG. 8 is a bottom view of my dual blender blade.

The broken line depictions are for illustrative purposes only and form no part of the claimed design.

**1 Claim, 8 Drawing Sheets**



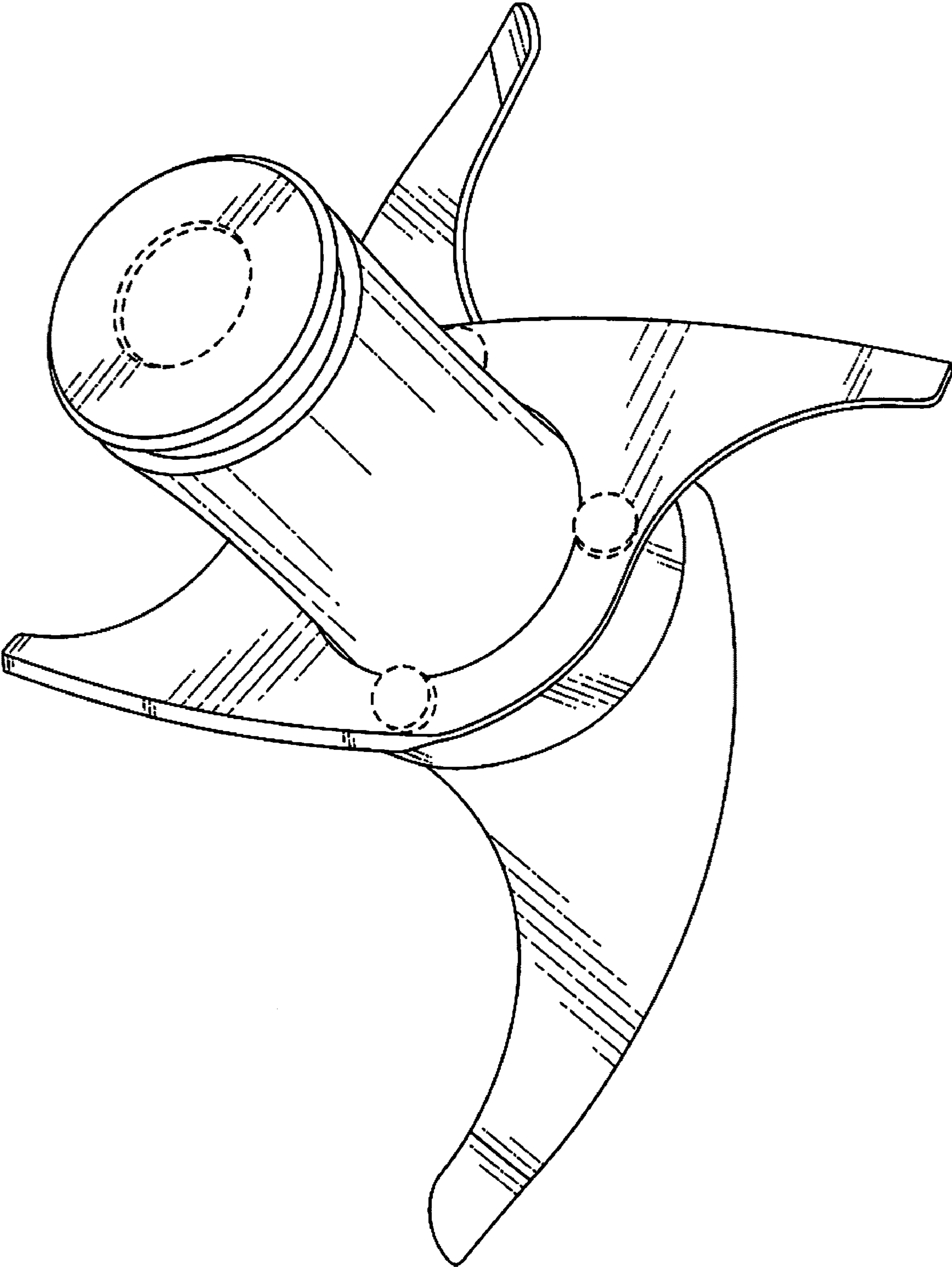


FIG. 1

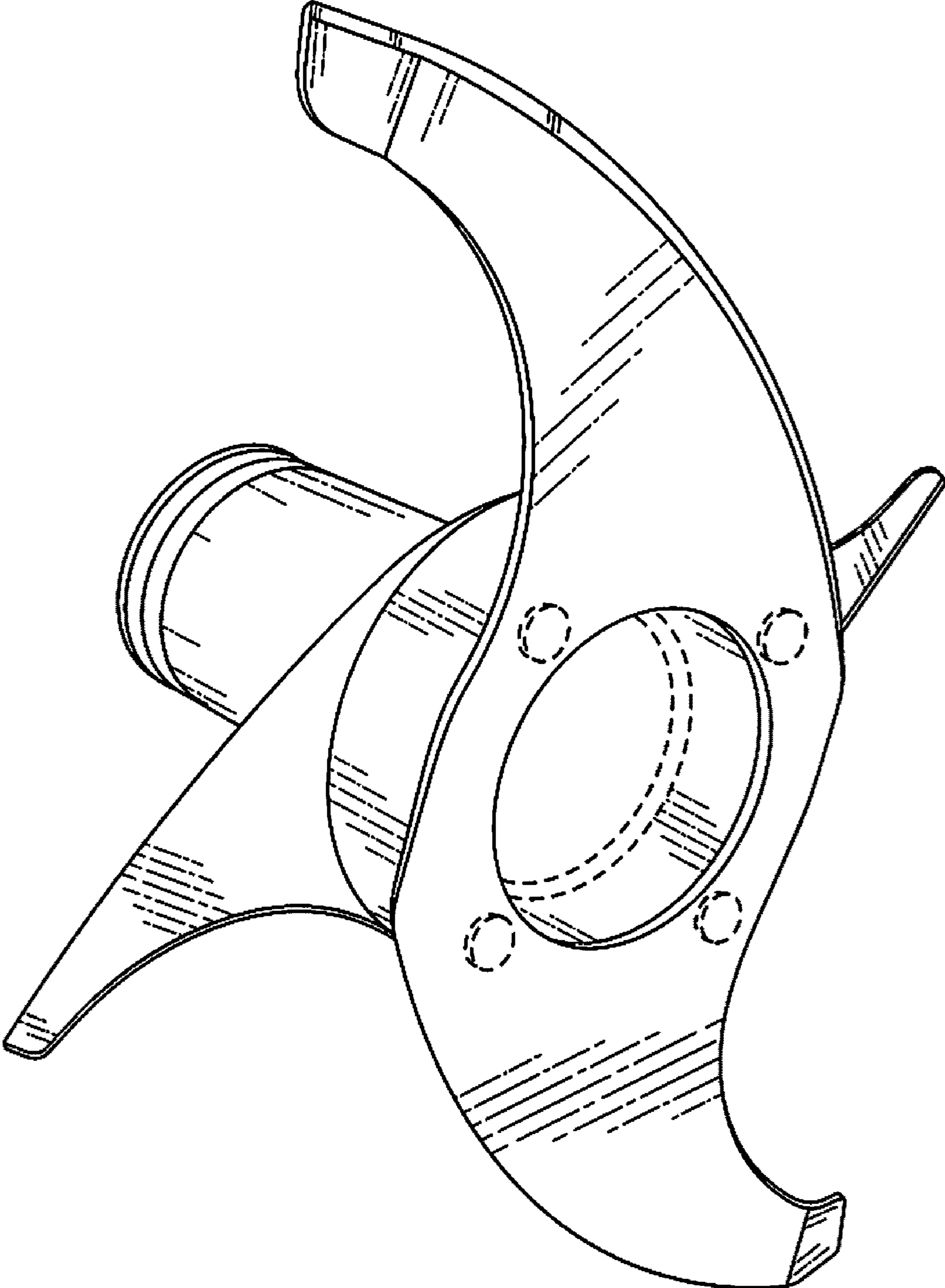


FIG. 2

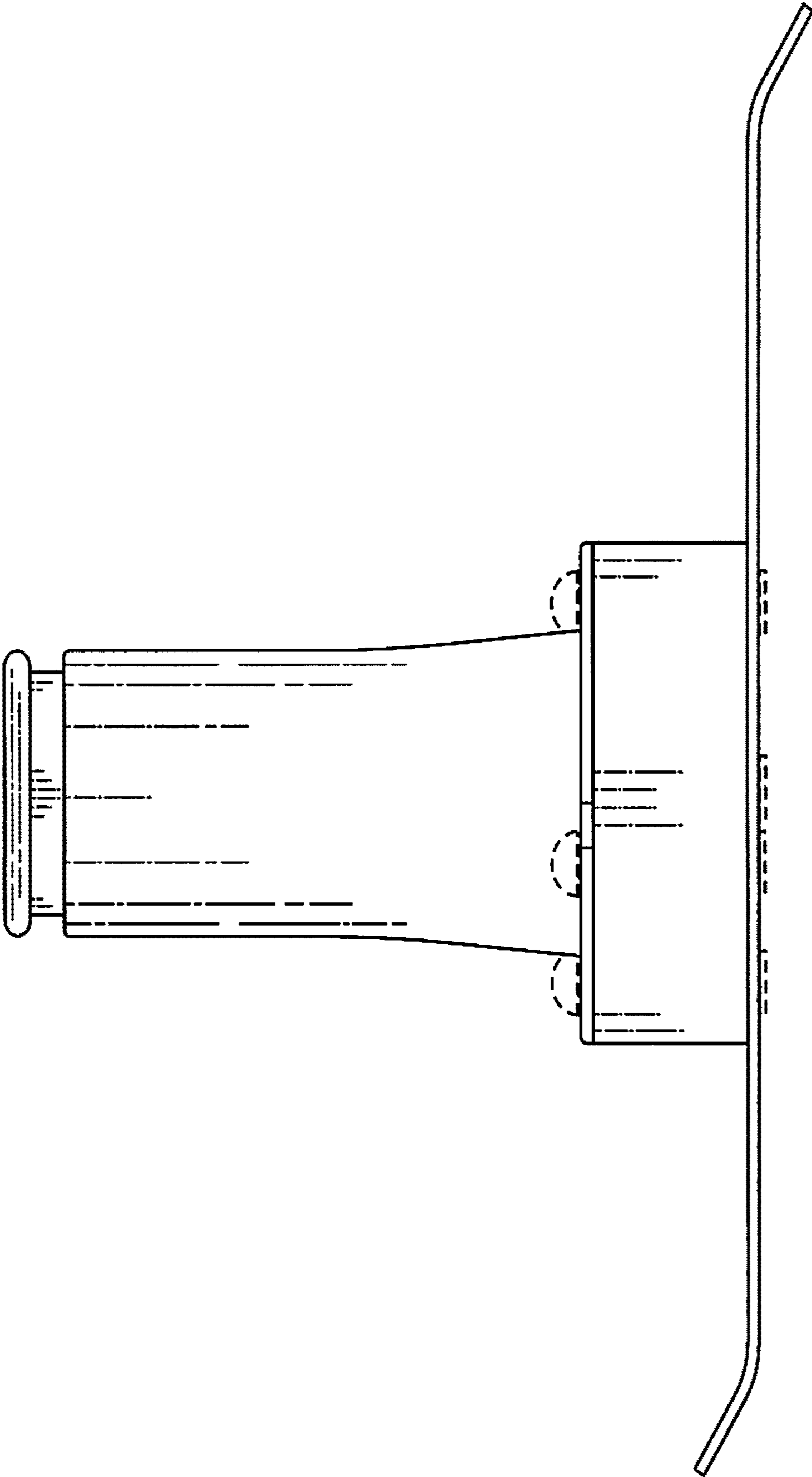


FIG. 3

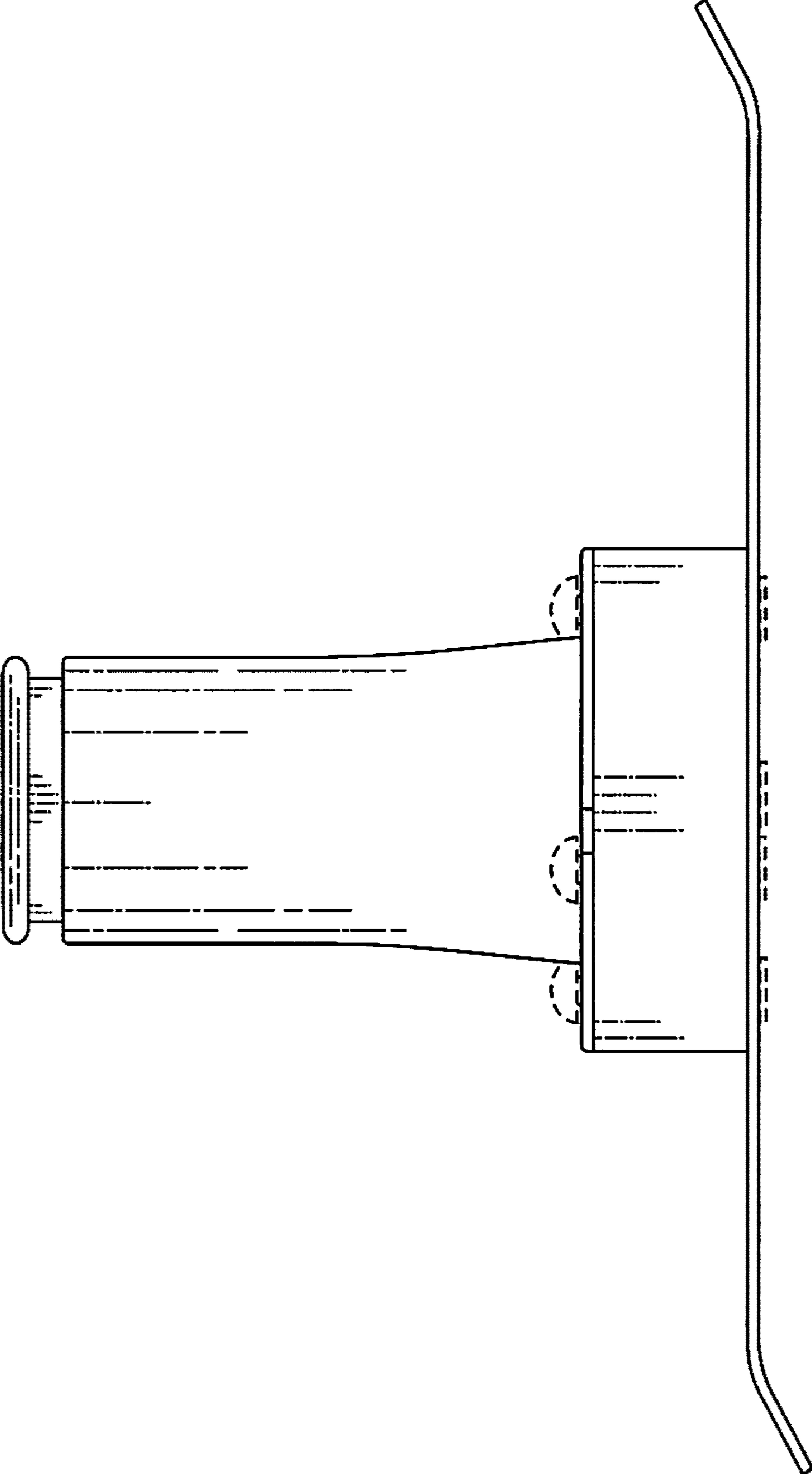


FIG. 4

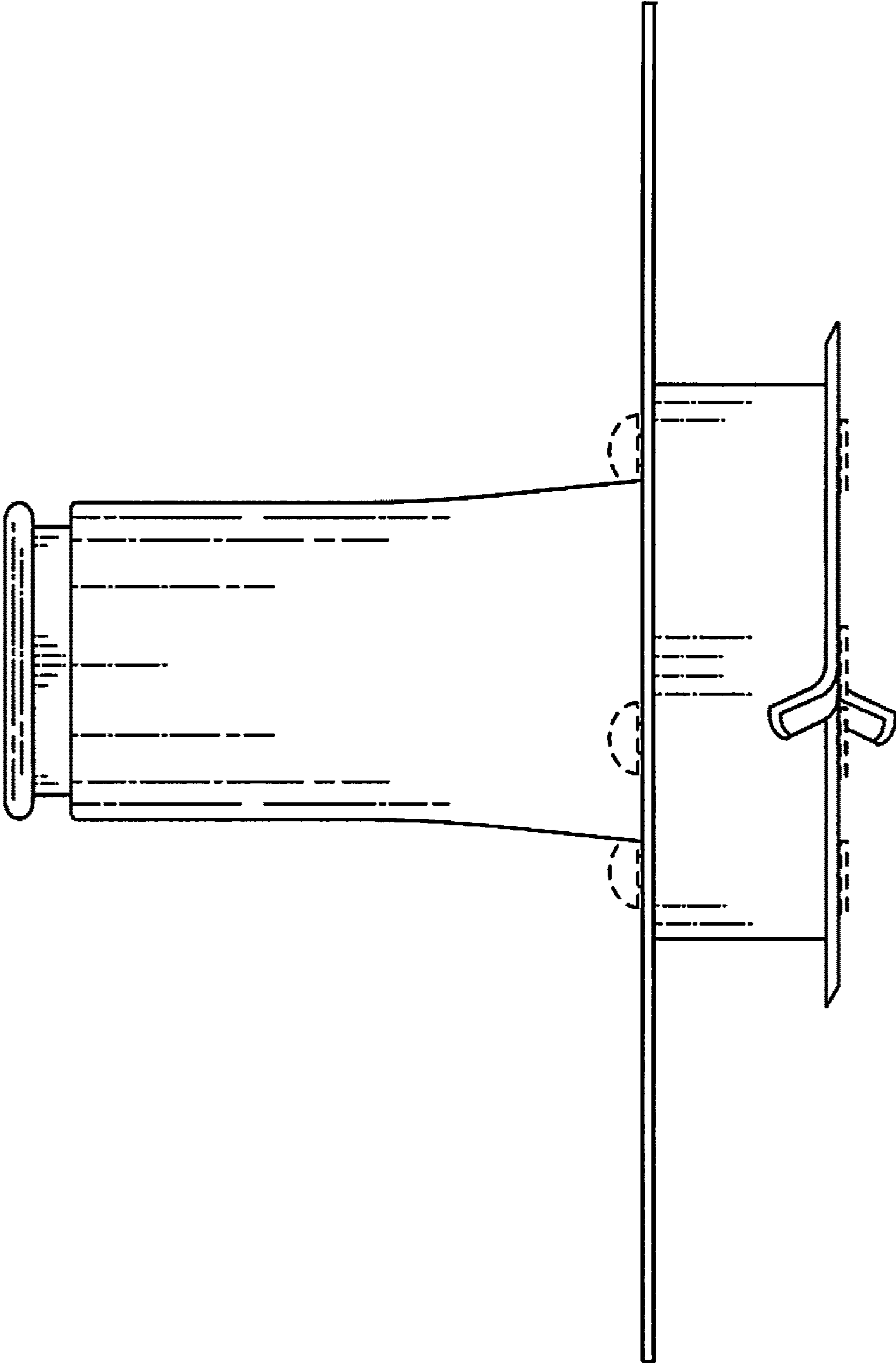


FIG. 5

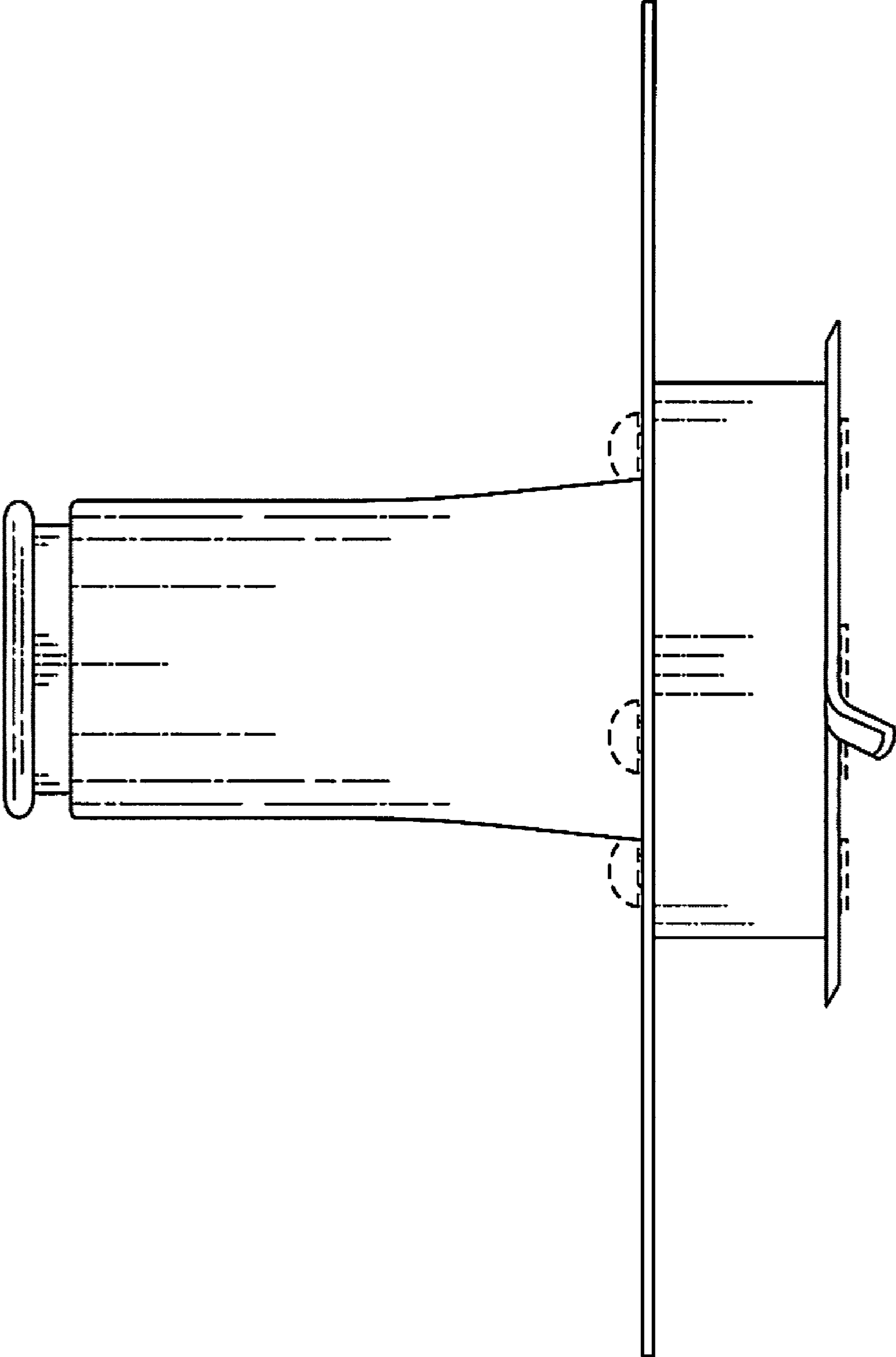


FIG. 6

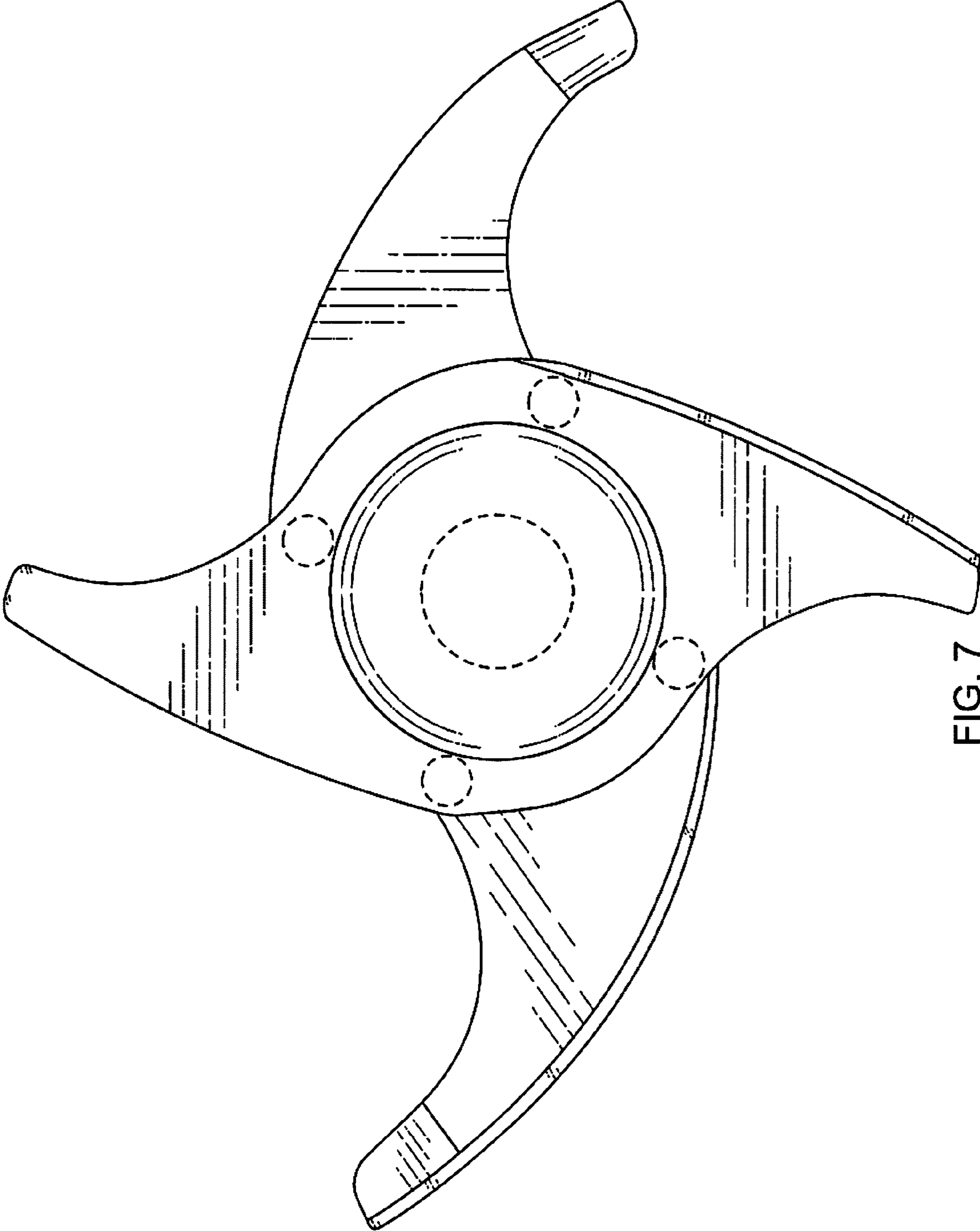


FIG. 7



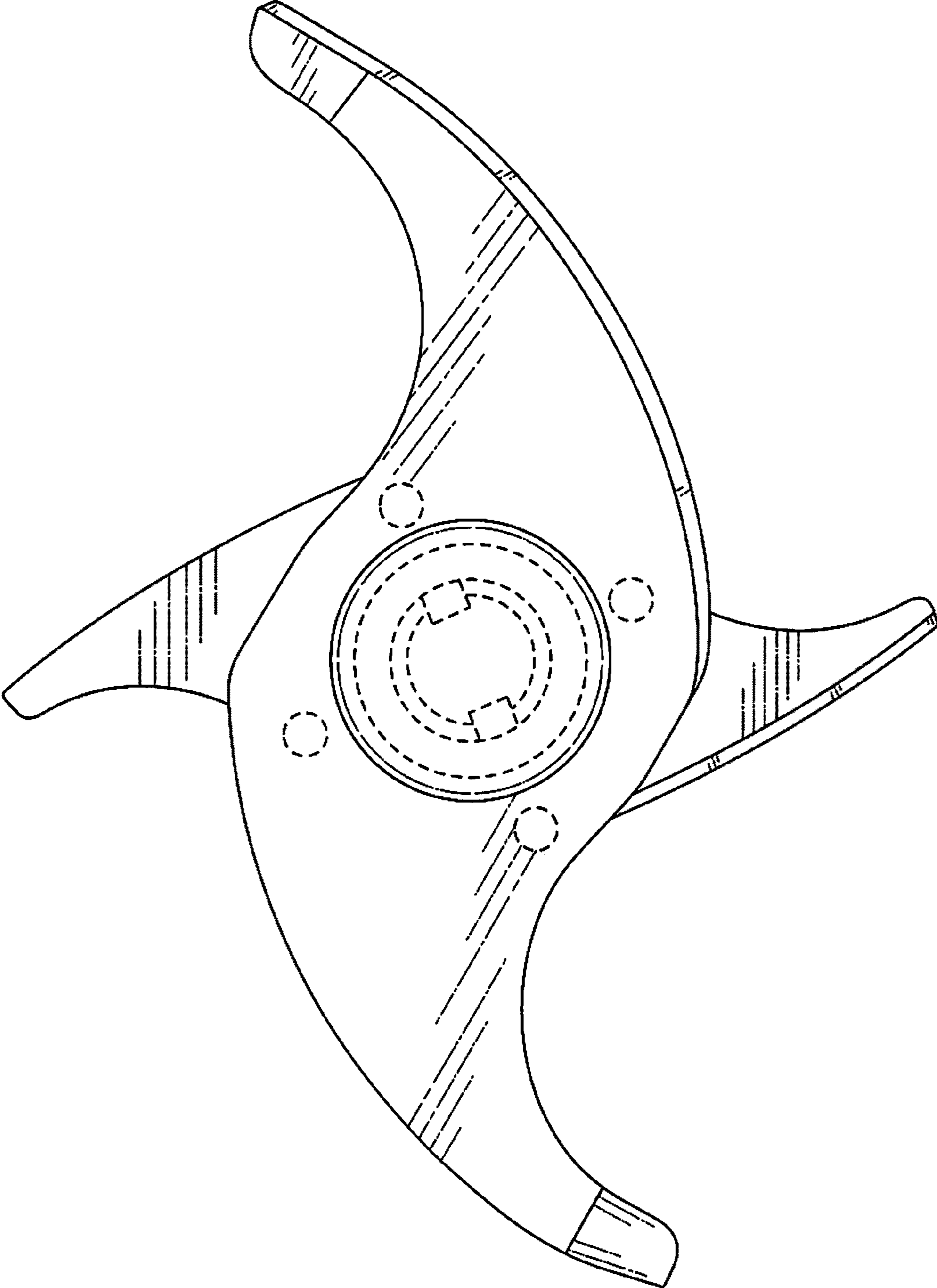


FIG. 8