



US00D604097S

(12) **United States Design Patent**
Cutino

(10) **Patent No.:** **US D604,097 S**

(45) **Date of Patent:** **** Nov. 17, 2009**

(54) **KITCHEN COOKTOP**

(75) **Inventor:** **Marcello Cutino**, Marano di Valpolicella (IT)

(73) **Assignee:** **Glem Gas S.p.A.**, San Cesario Sul Panaro (MO) (IT)

(**) **Term:** **14 Years**

(21) **Appl. No.:** **29/300,808**

(22) **Filed:** **May 15, 2008**

(30) **Foreign Application Priority Data**

Nov. 15, 2007	(EM)	000827050-0001
Nov. 15, 2007	(EM)	000827050-0003
Nov. 15, 2007	(EM)	000827050-0007

(51) **LOC (9) Cl.** **07-02**

(52) **U.S. Cl.** **D7/407**

(58) **Field of Classification Search** D7/346-348, D7/407-408, 339-341; 126/39 R, 39 J, 39 B, 126/211; 219/450.1, 452.11, 452.13, 472, 219/478, 468.1

See application file for complete search history.

(56) **References Cited**

U.S. PATENT DOCUMENTS

D236,867	S	*	9/1975	Horholt	D7/408
6,089,219	A	*	7/2000	Kodera et al.	126/39 R
D479,942	S	*	9/2003	Pottenger et al.	D7/346
D553,901	S	*	10/2007	Grey et al.	D7/346

* cited by examiner

Primary Examiner—Catherine R Oliver

(74) *Attorney, Agent, or Firm*—Dykema Gossett pLLC

(57) **CLAIM**

The ornamental design for a kitchen cooktop, as shown and described.

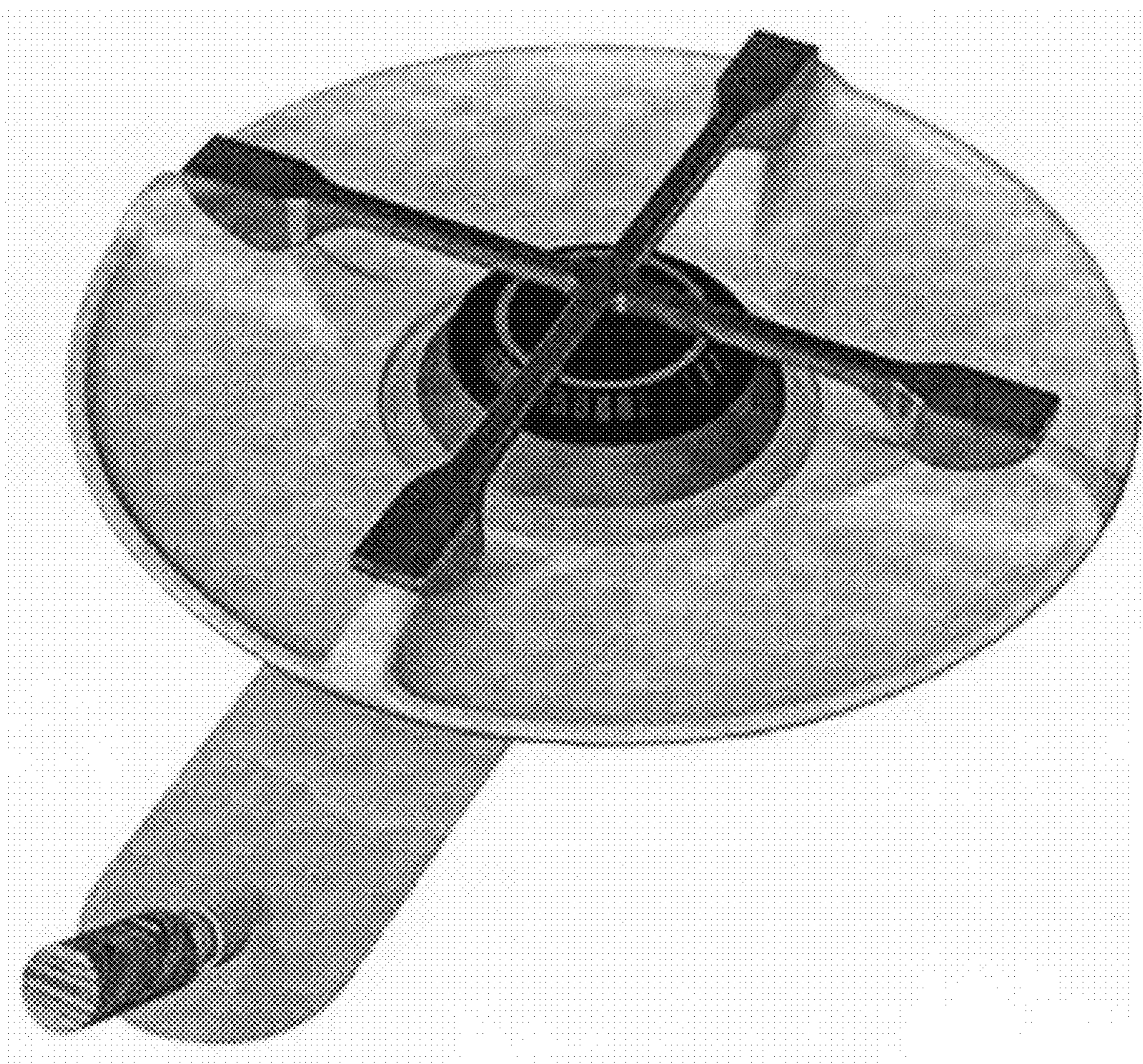
DESCRIPTION

FIG. 1 is a top perspective view of a kitchen cooktop showing my new design;

FIG. 2 is a top plan view thereof; and,

FIG. 3 is an elevational side view thereof, an opposite side view being a mirror image,

1 Claim, 3 Drawing Sheets



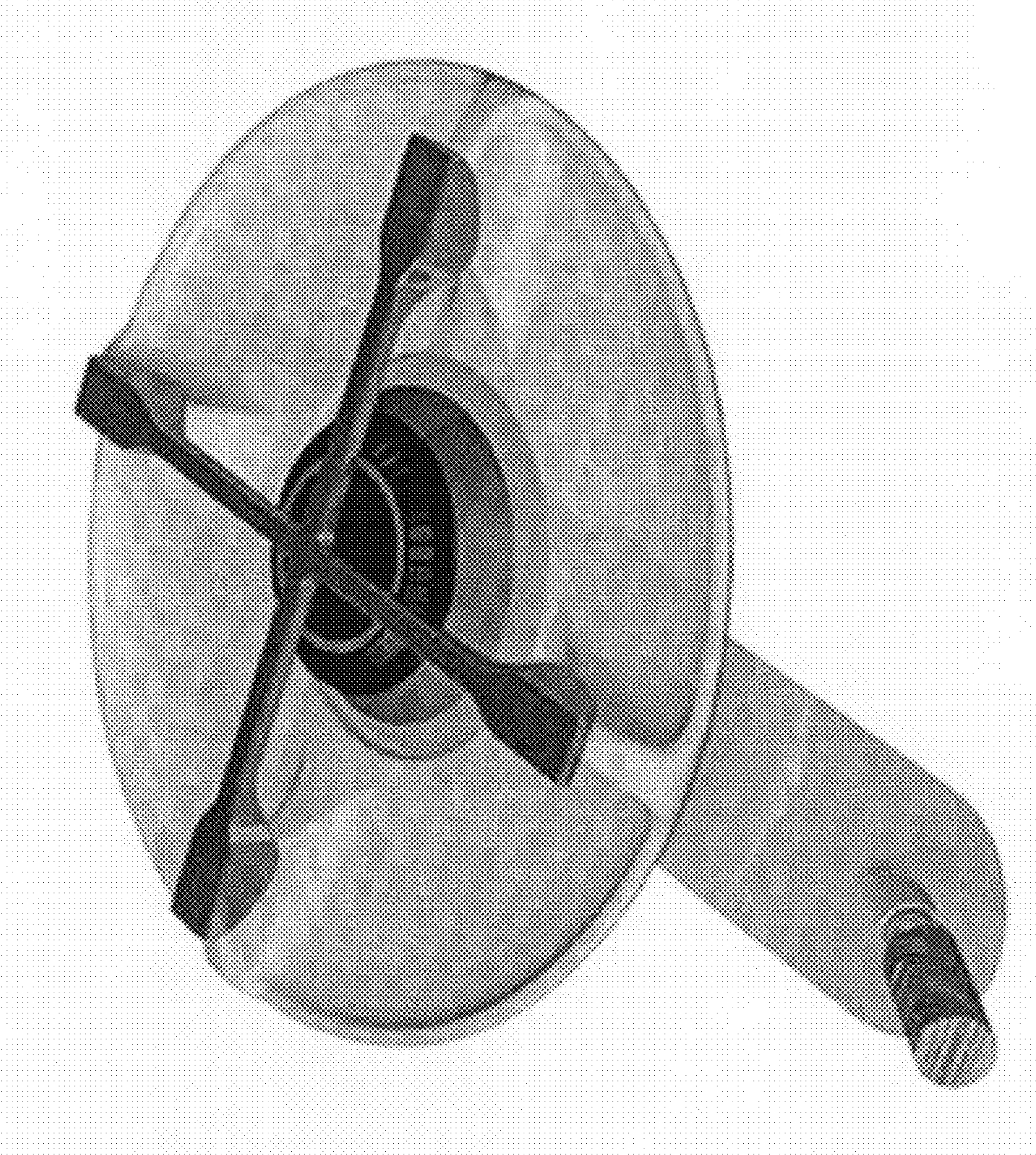


Fig. 1

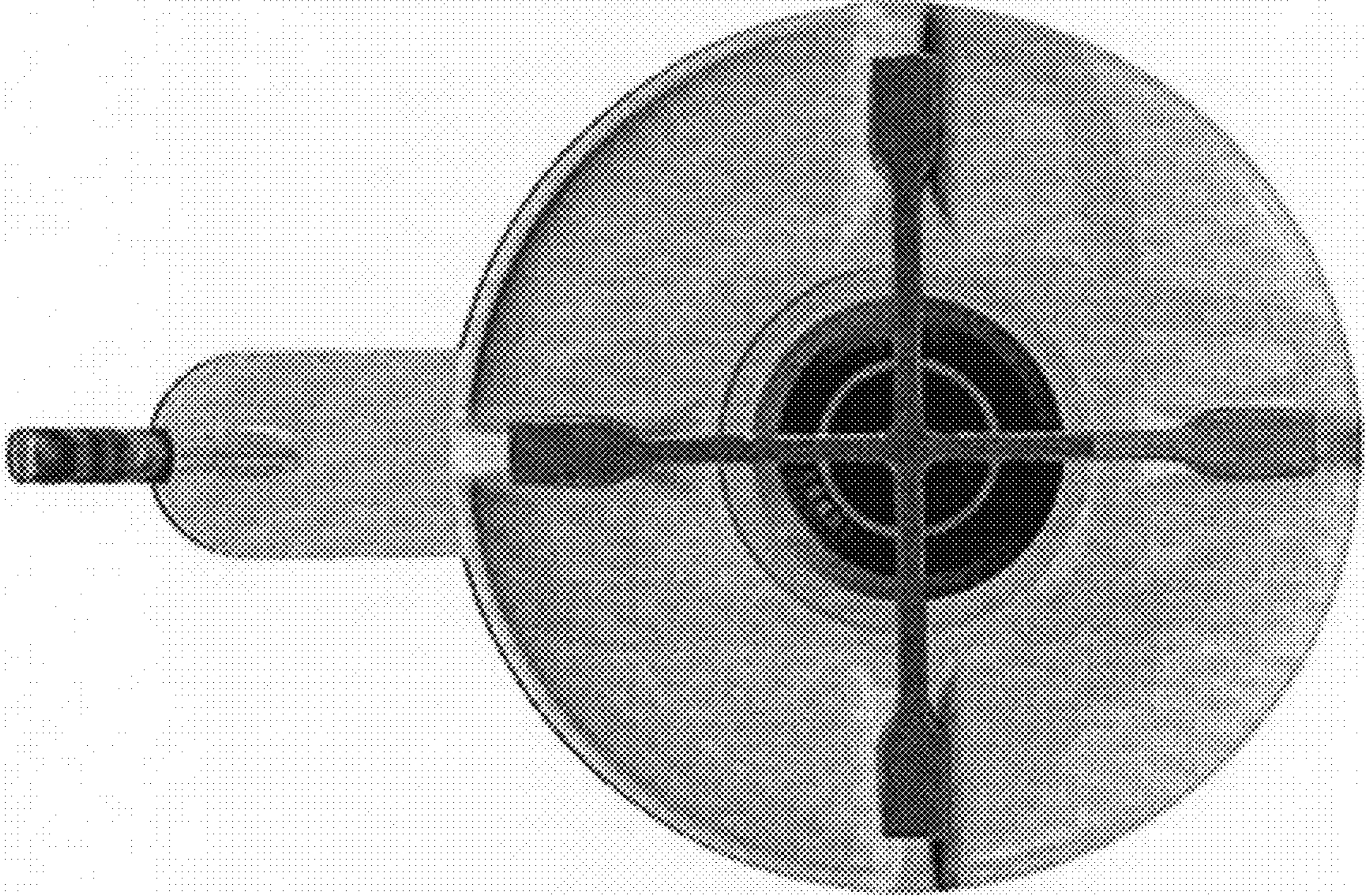


Fig. 2

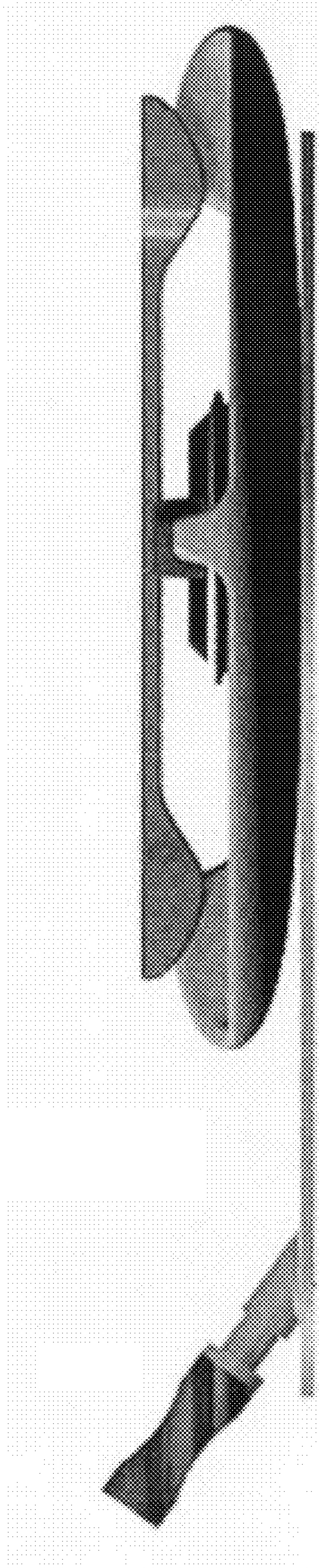


Fig. 3