



US00D604094S

(12) **United States Design Patent**  
**De Pra'**

(10) **Patent No.:** **US D604,094 S**

(45) **Date of Patent:** **\*\* Nov. 17, 2009**

(54) **GRINDER**

D482,926 S \* 12/2003 Copland ..... D7/373  
D511,269 S \* 11/2005 MacWilliam ..... D7/372

(75) Inventor: **Dario De Pra'**, Mirano (IT)

(73) Assignee: **De'Longhi S.p.A.**, Treviso (IT)

(\*\*) Term: **14 Years**

(21) Appl. No.: **29/313,306**

(22) Filed: **Dec. 23, 2008**

(30) **Foreign Application Priority Data**

Jun. 30, 2008 (EM) ..... 000959960

(51) **LOC (9) Cl.** ..... **31-00**

(52) **U.S. Cl.** ..... **D7/372**

(58) **Field of Classification Search** ..... D7/372-373,  
D7/374-376, 306-309, 381-384; 99/286,  
99/279-280, 288, 290-292, 323.3; 241/36,  
241/37.5, 92

See application file for complete search history.

(56) **References Cited**

**U.S. PATENT DOCUMENTS**

D164,220 S \* 8/1951 Dale ..... D7/373

\* cited by examiner

*Primary Examiner*—Catherine R Oliver

(74) *Attorney, Agent, or Firm*—Flaster Greenberg, PC

(57) **CLAIM**

The ornamental design for a grinder, as shown and described.

**DESCRIPTION**

FIG. 1 is a perspective view of the grinder;

FIG. 2 is a front view of the grinder;

FIG. 3 is a rear view of the grinder;

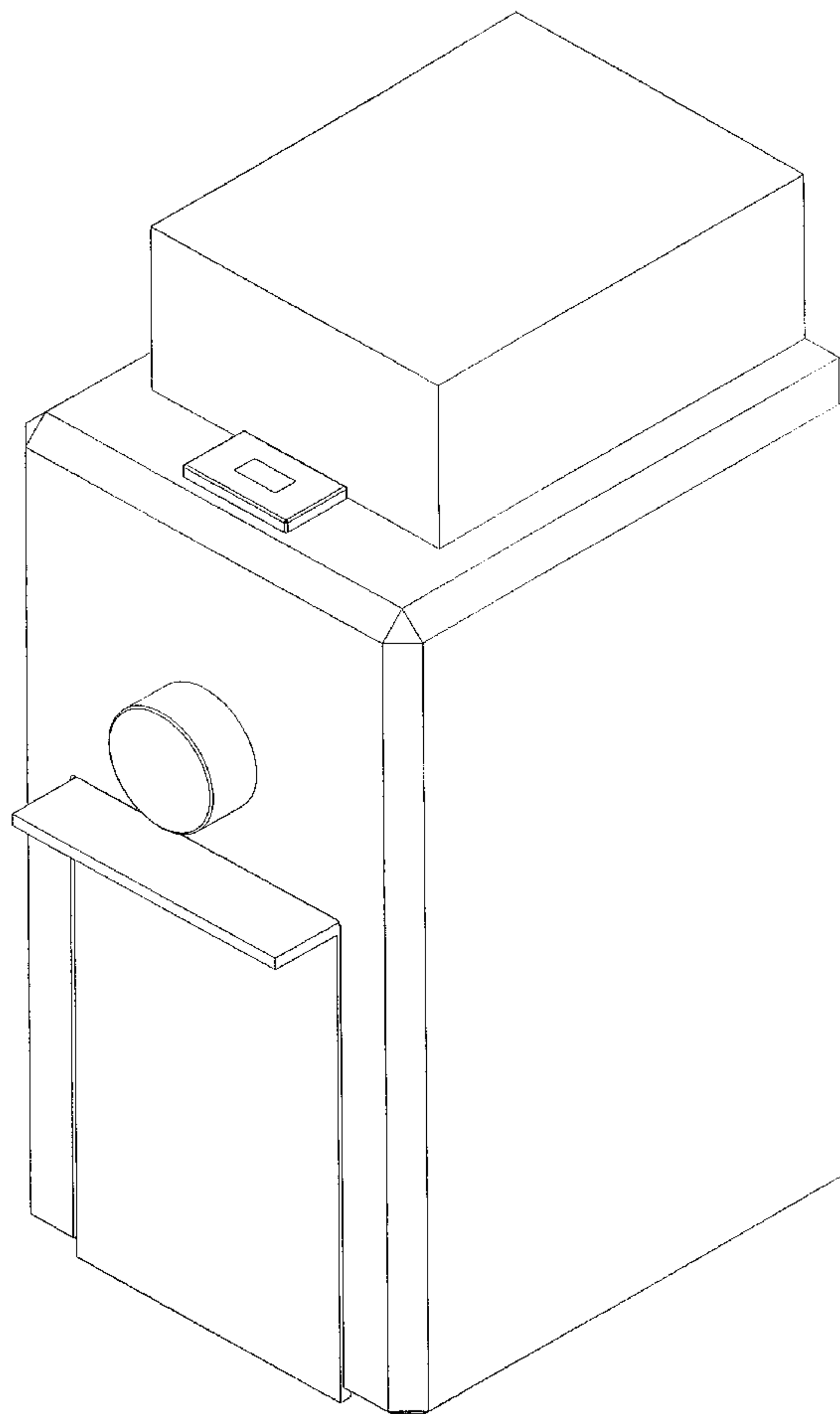
FIG. 4 is a left side view of the grinder;

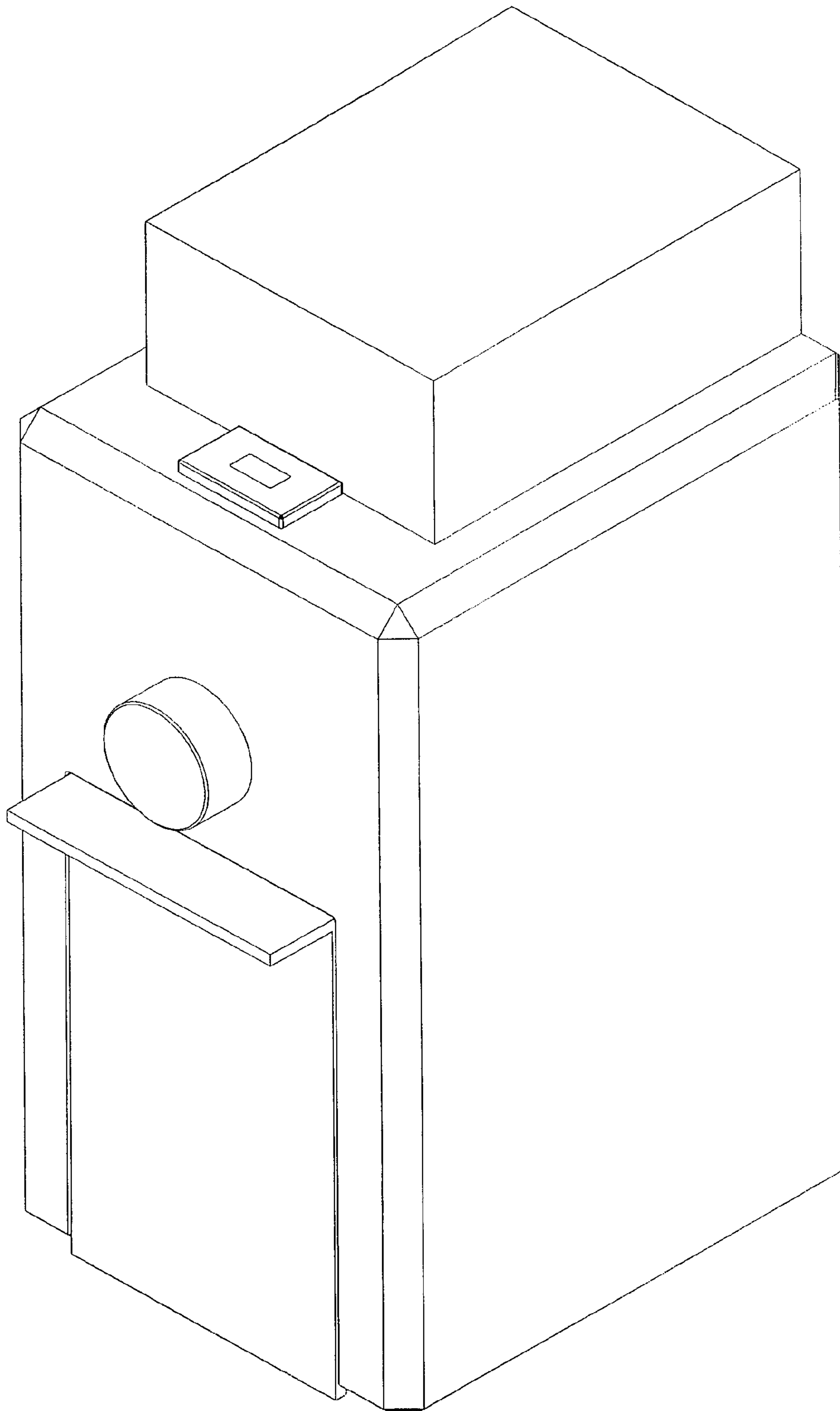
FIG. 5 is a right side view of the grinder;

FIG. 6 is bottom view of the grinder; and,

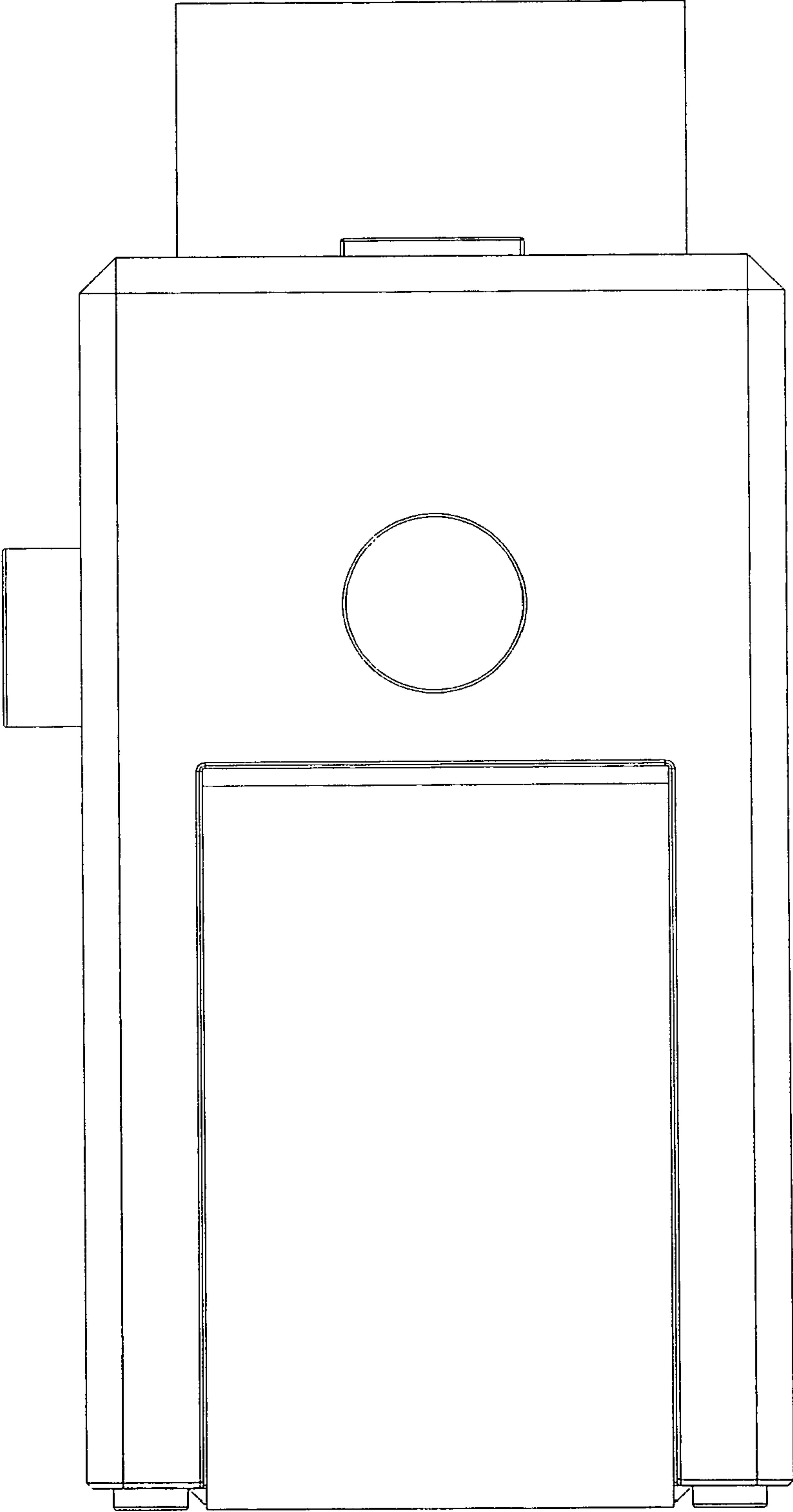
FIG. 7 is a top view of the grinder.

**1 Claim, 7 Drawing Sheets**

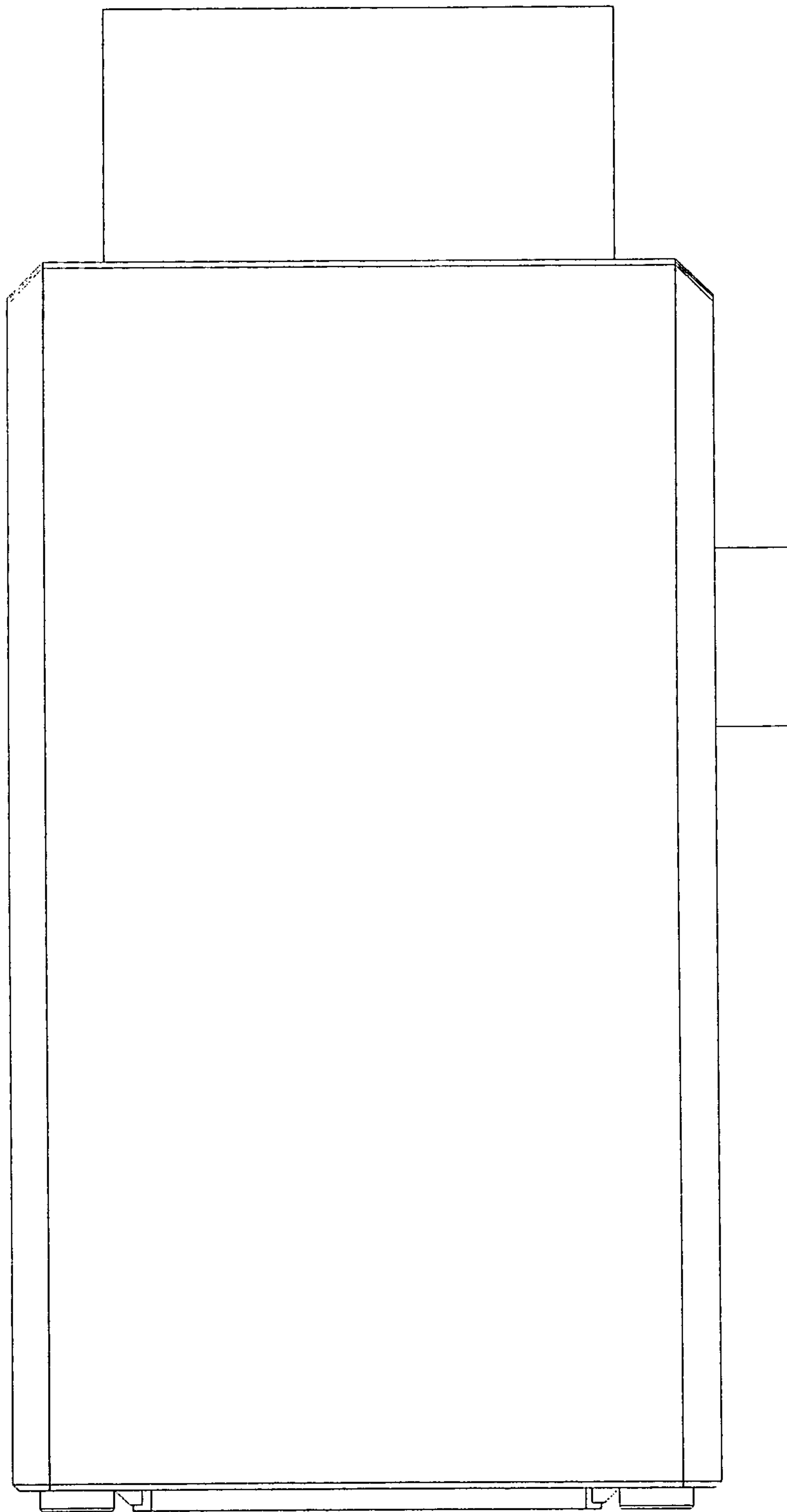




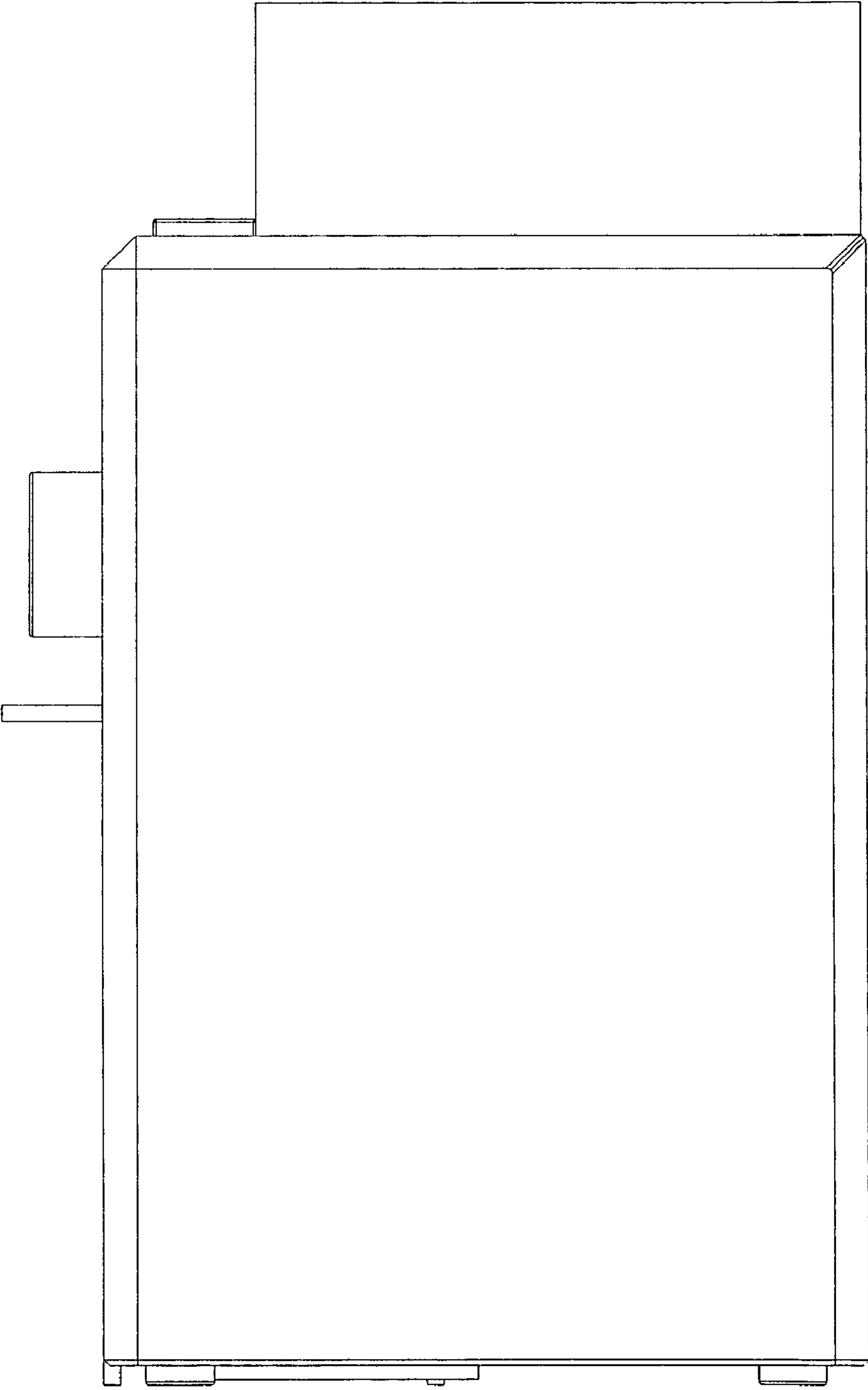
**FIG. 1**



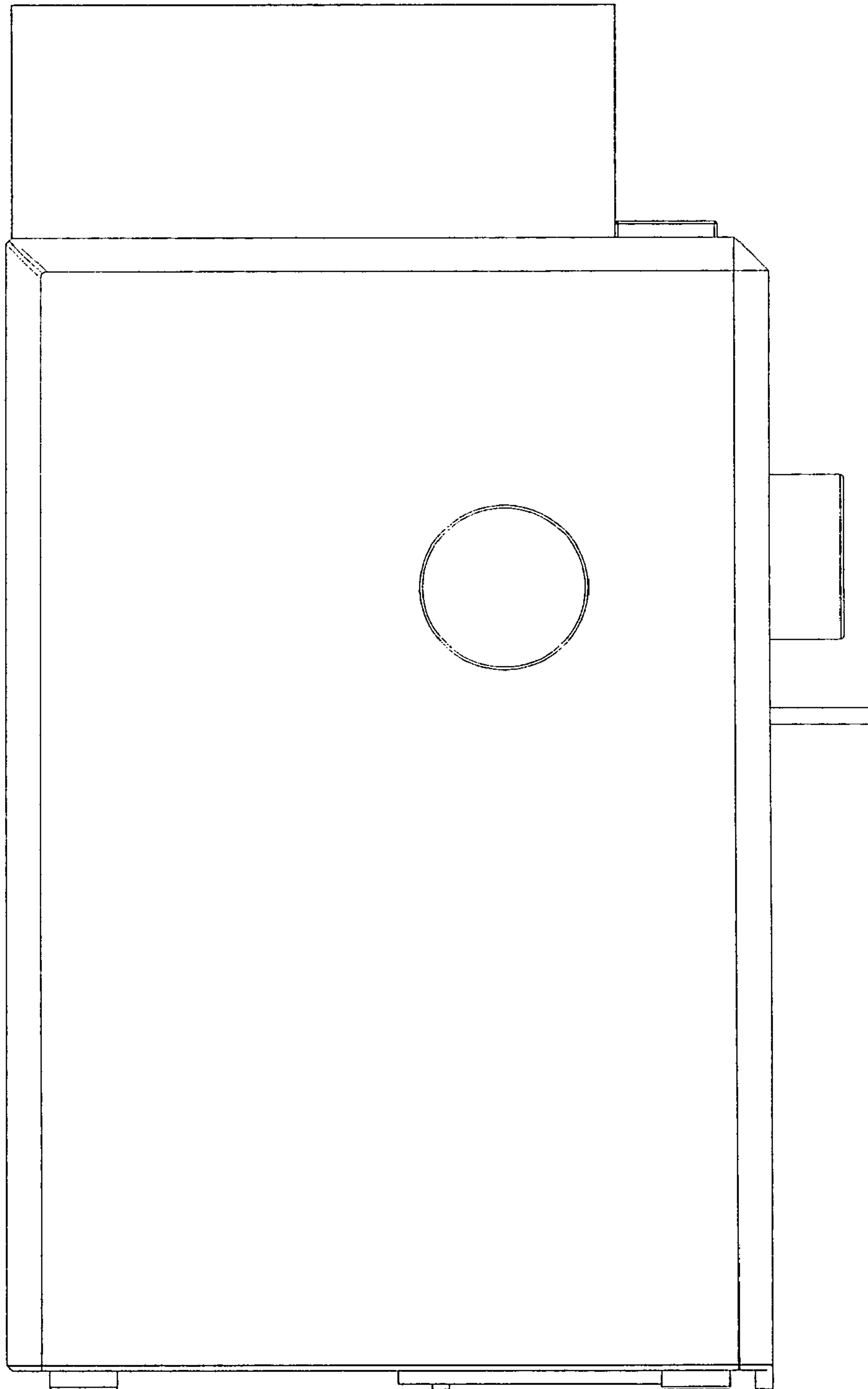
**FIG. 2**



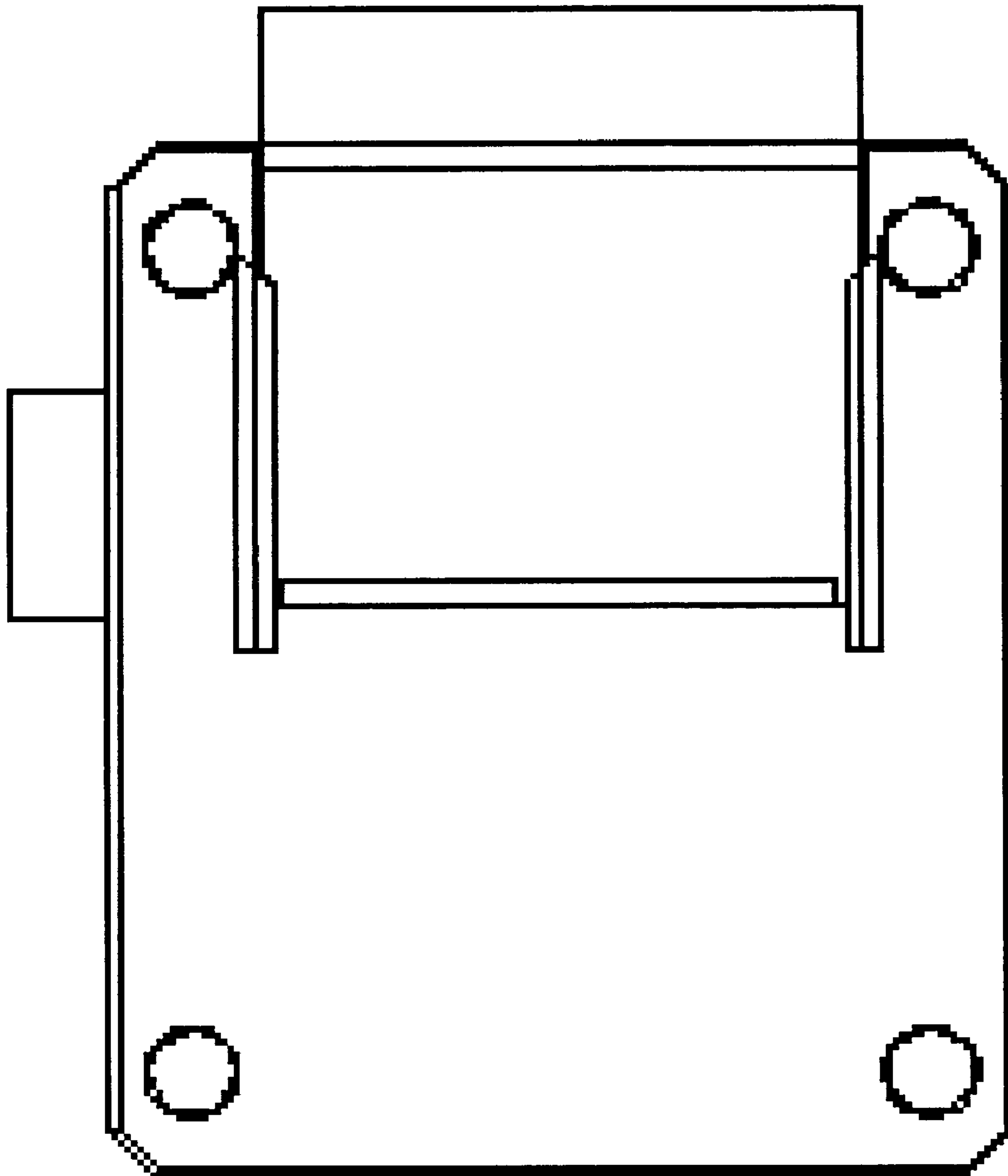
**FIG. 3**



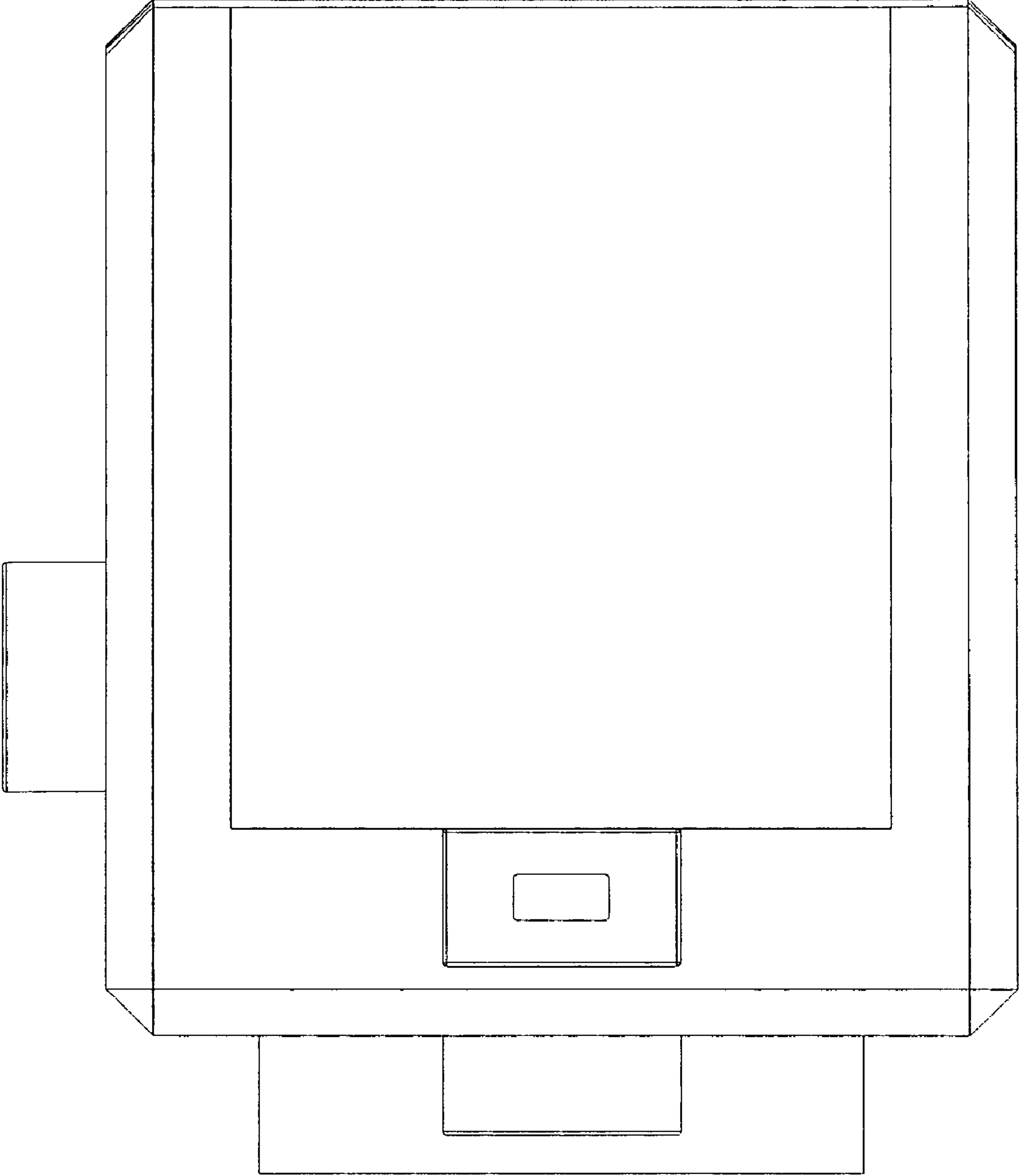
**FIG. 4**



**FIG. 5**



**FIG. 6**



**FIG. 7**