



US00D604093S

(12) **United States Design Patent**
Moussu

(10) **Patent No.:** **US D604,093 S**

(45) **Date of Patent:** **** Nov. 17, 2009**

(54) **ELECTRIC DEEP FRYER**

(75) Inventor: **Marion Moussu**, Dijon (FR)

(73) Assignee: **SEB**, Selongey (FR)

(**) Term: **14 Years**

(21) Appl. No.: **29/330,596**

(22) Filed: **Jan. 9, 2009**

(30) **Foreign Application Priority Data**

Jul. 9, 2008 (FR) 08 3118

(51) **LOC (9) Cl.** **07-02**

(52) **U.S. Cl.** **D7/360**

(58) **Field of Classification Search** D7/323,
D7/350.2, 352-361, 378-379, 383-384, 402,
D7/542-545, 667; 99/140 R, 337, 340, 345,
99/403, 422, 425, 455; 219/432-433, 438-441,
219/620-622, 725-730; 220/573.1-574,
220/769, 912; 426/438, 441

See application file for complete search history.

(56) **References Cited**

U.S. PATENT DOCUMENTS

D305,971 S * 2/1990 Janssens D7/360
D316,650 S * 5/1991 Slany et al. D7/360
D395,786 S * 7/1998 Rossi D7/354

D474,937 S * 5/2003 Josancy D7/354
D522,799 S * 6/2006 Kassenaar D7/350.2
D539,599 S * 4/2007 De'Longhi D7/354
D542,095 S * 5/2007 Orent et al. D7/560
D588,860 S * 3/2009 Tienor et al. D7/354

* cited by examiner

Primary Examiner—Caron Veynar

Assistant Examiner—Ricky Pham

(74) *Attorney, Agent, or Firm*—Browdy and Neimark,
P.L.L.C.

(57) **CLAIM**

The ornamental design for an electric deep fryer, as shown.

DESCRIPTION

FIG. 1 is a front elevational view of an electric deep fryer in accordance with the present design;

FIG. 2 is a rear elevational view thereof;

FIG. 3 is a left side elevational view thereof;

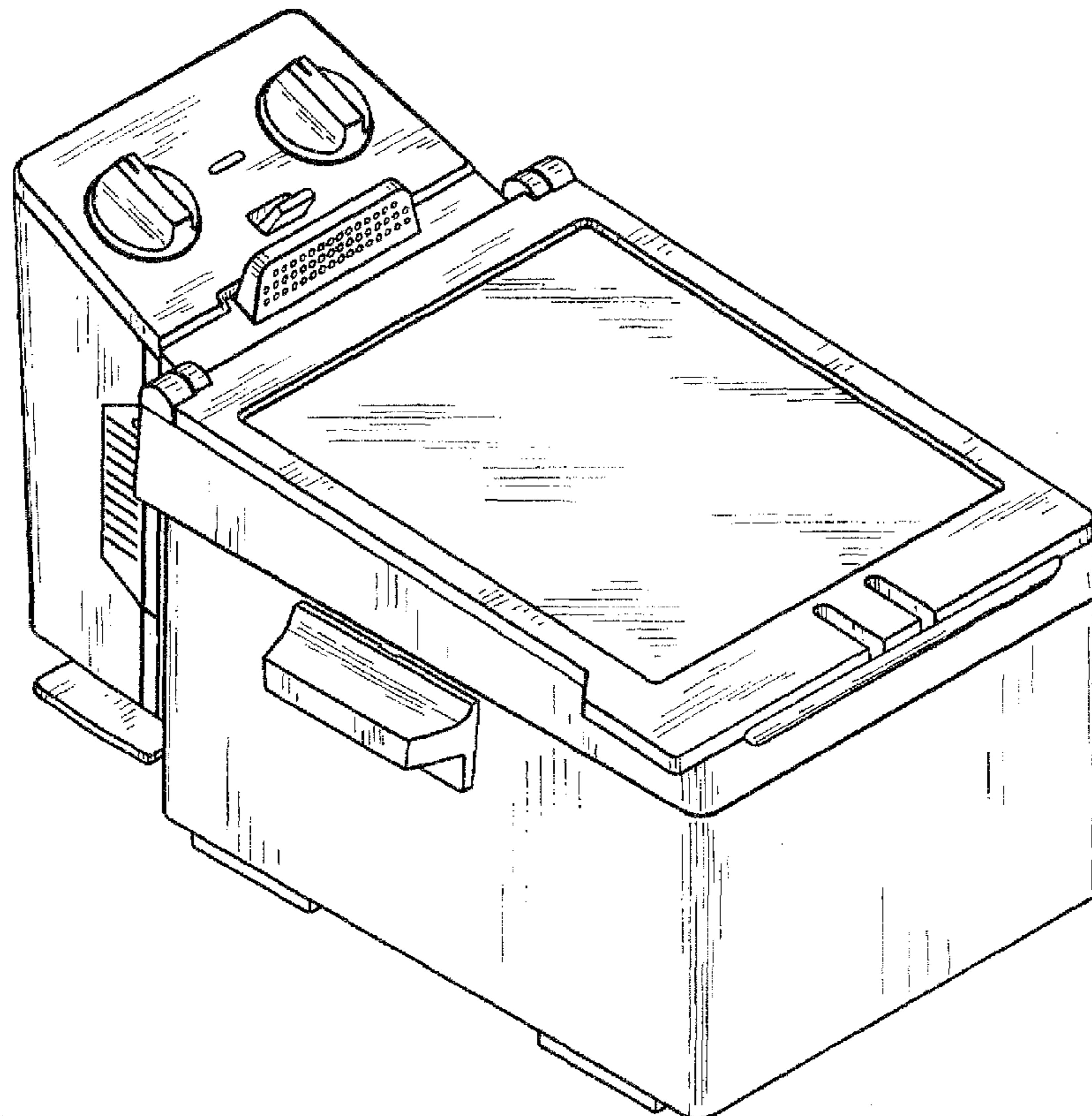
FIG. 4 is a right side elevational view thereof;

FIG. 5 is a top plan view thereof;

FIG. 6 is a bottom plan view thereof; and,

FIG. 7 is a three quarter perspective view thereof, from the top and left side.

1 Claim, 7 Drawing Sheets



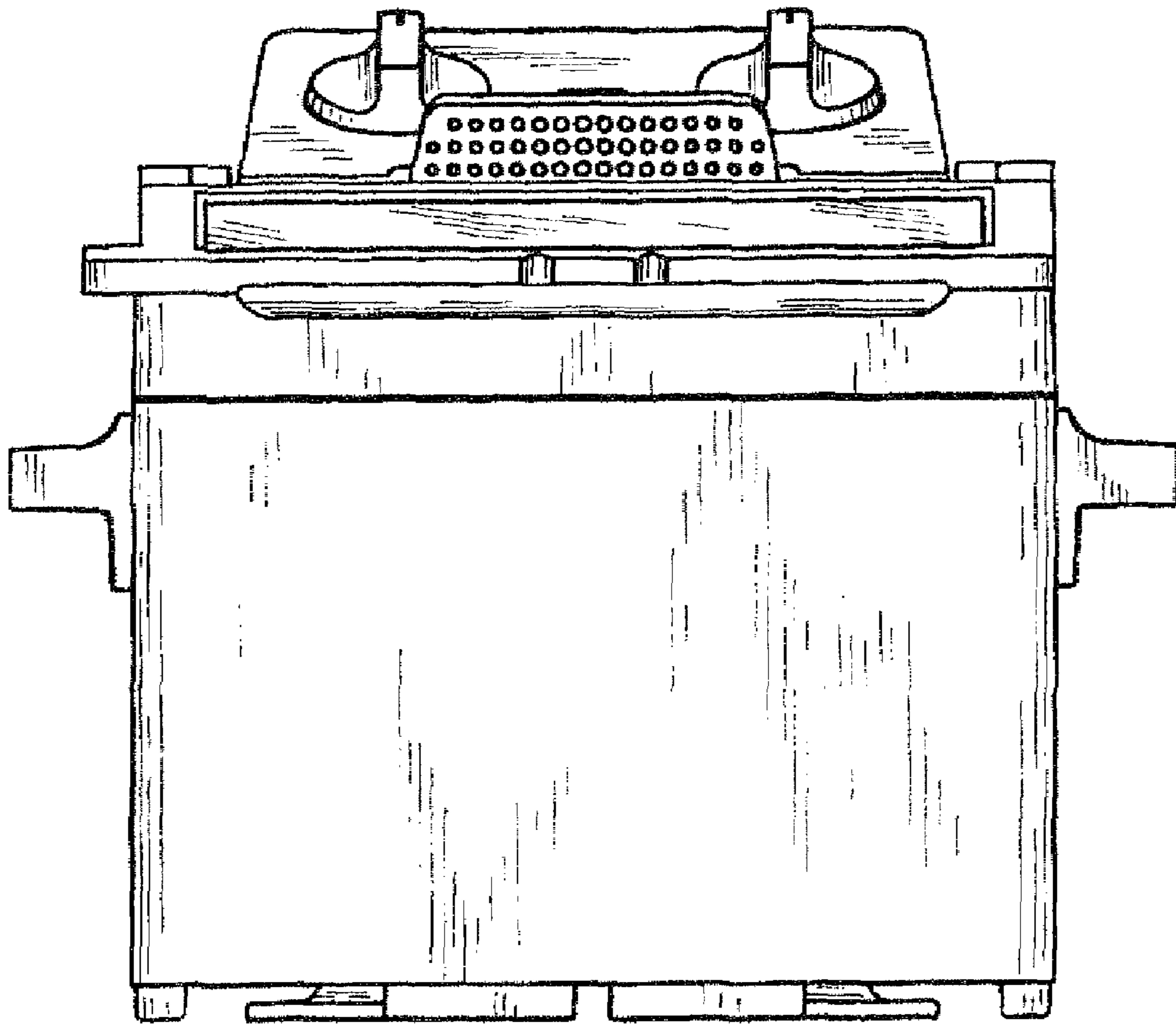


FIG. 1

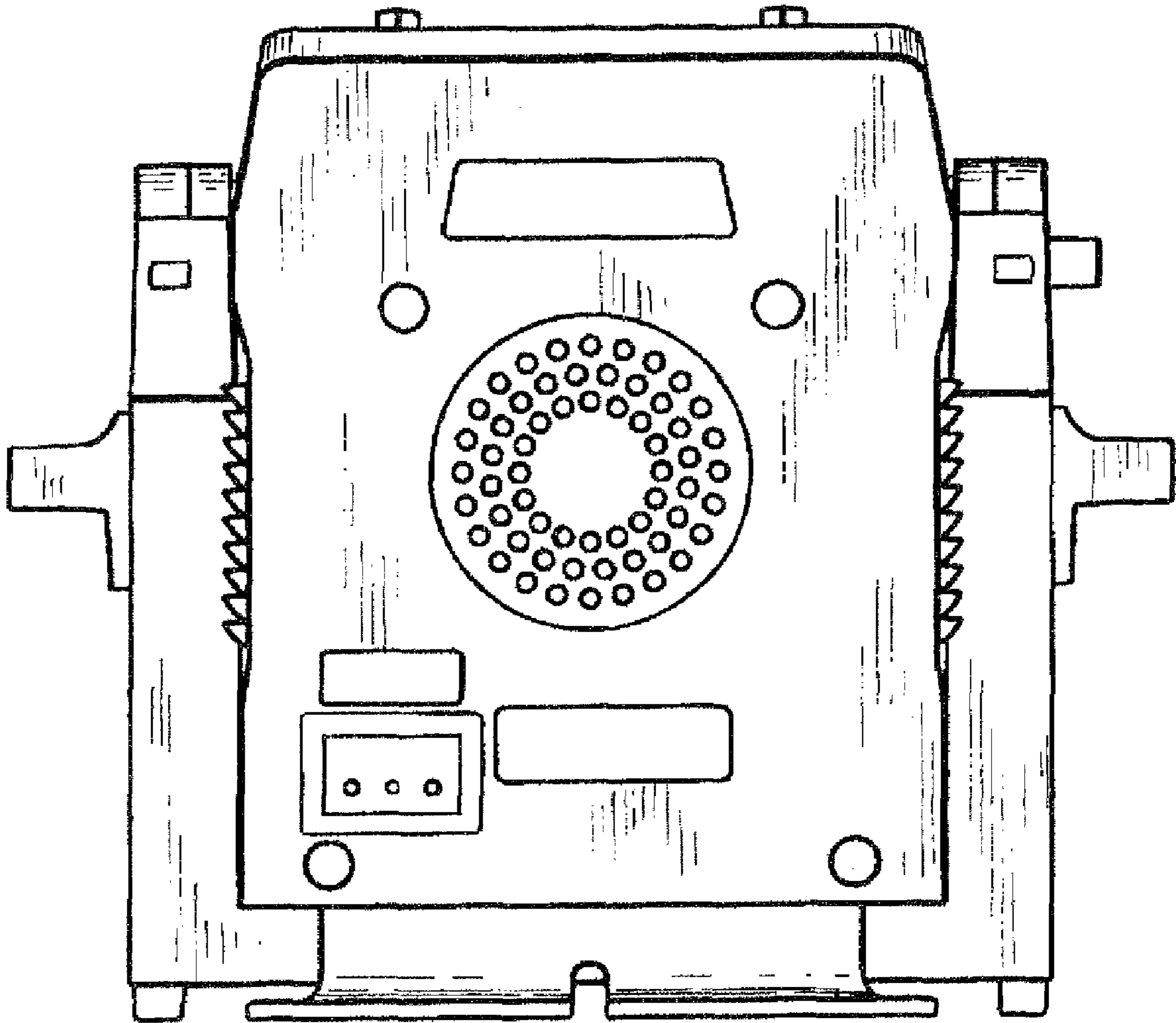


FIG. 2

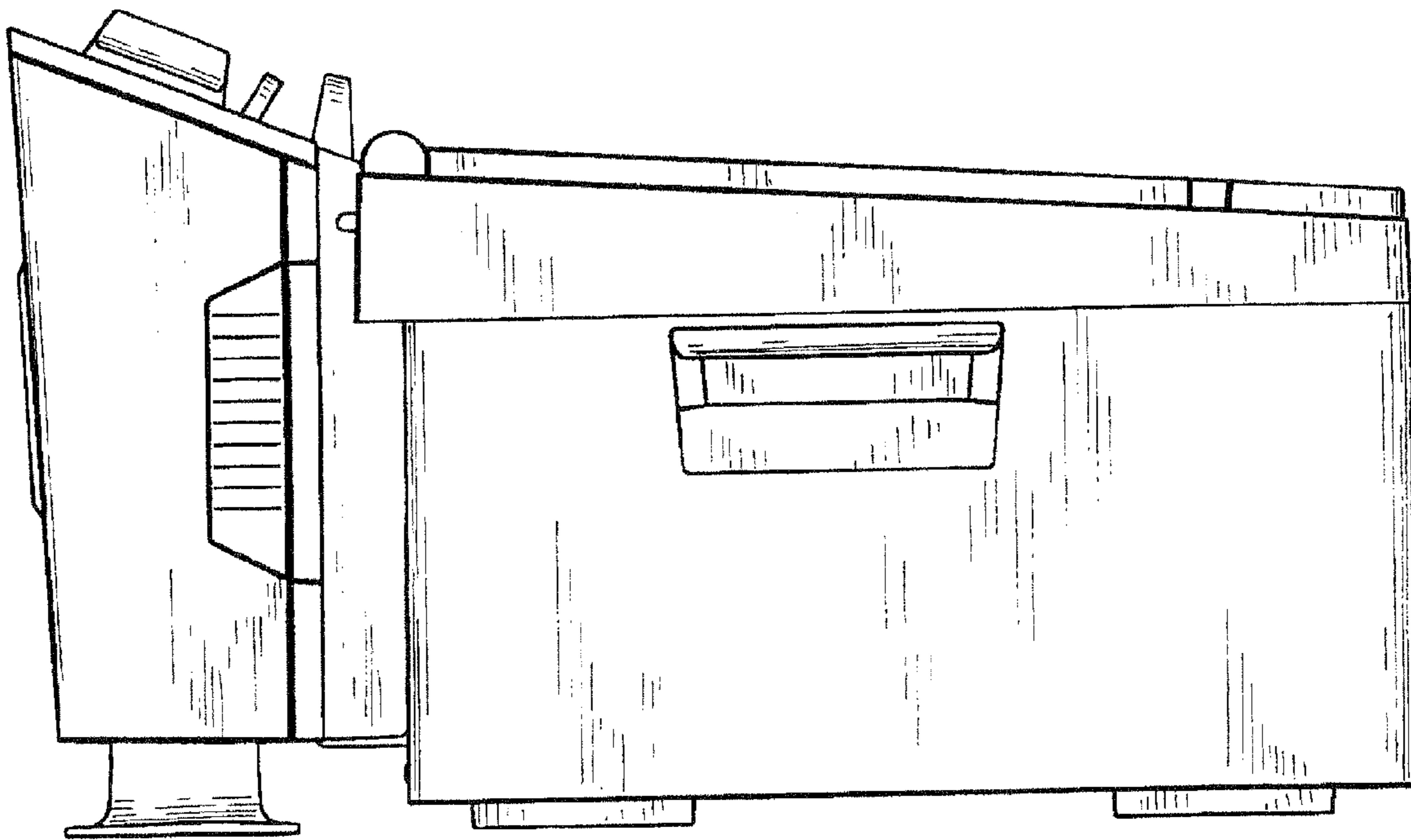


FIG. 3

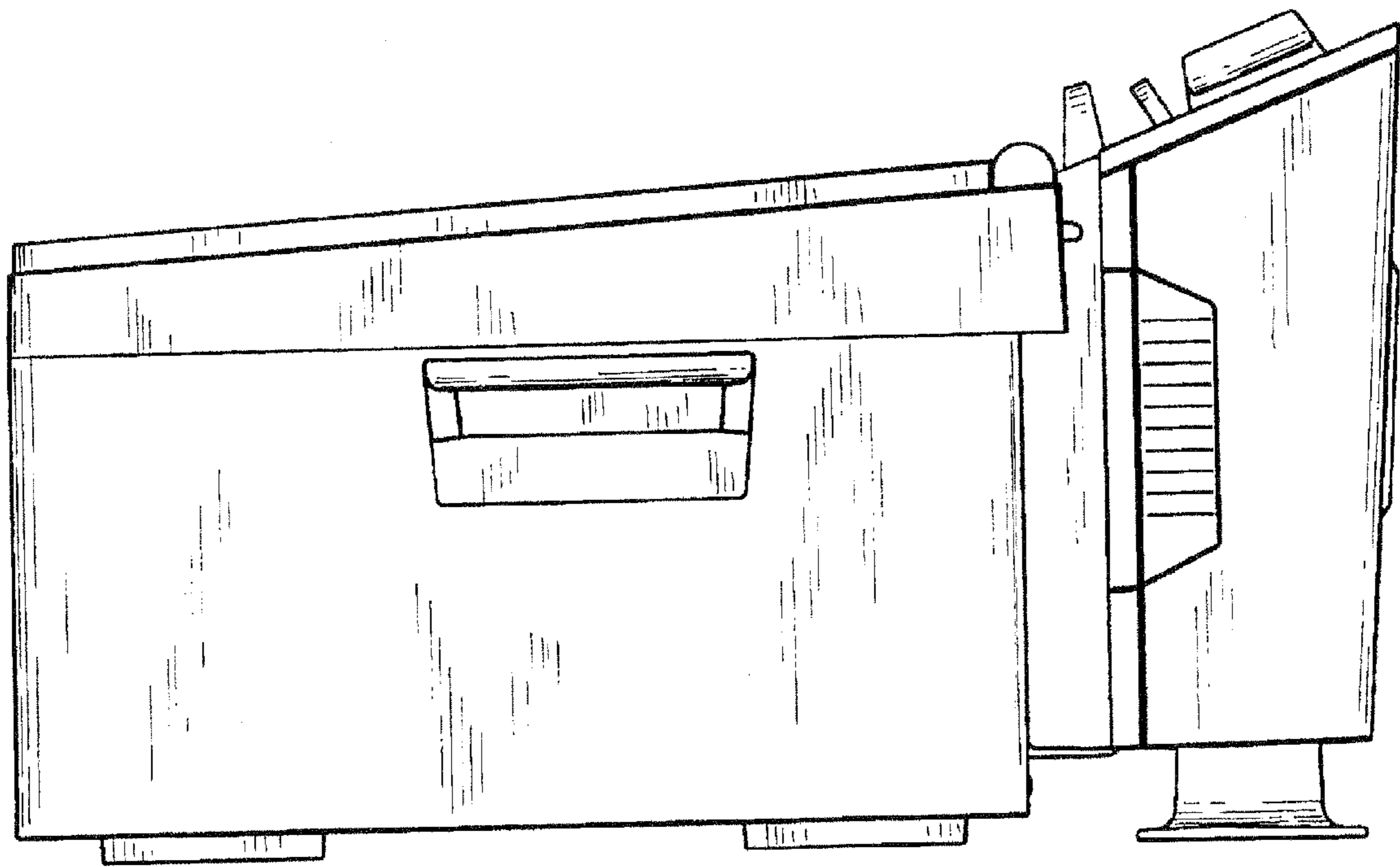


FIG. 4

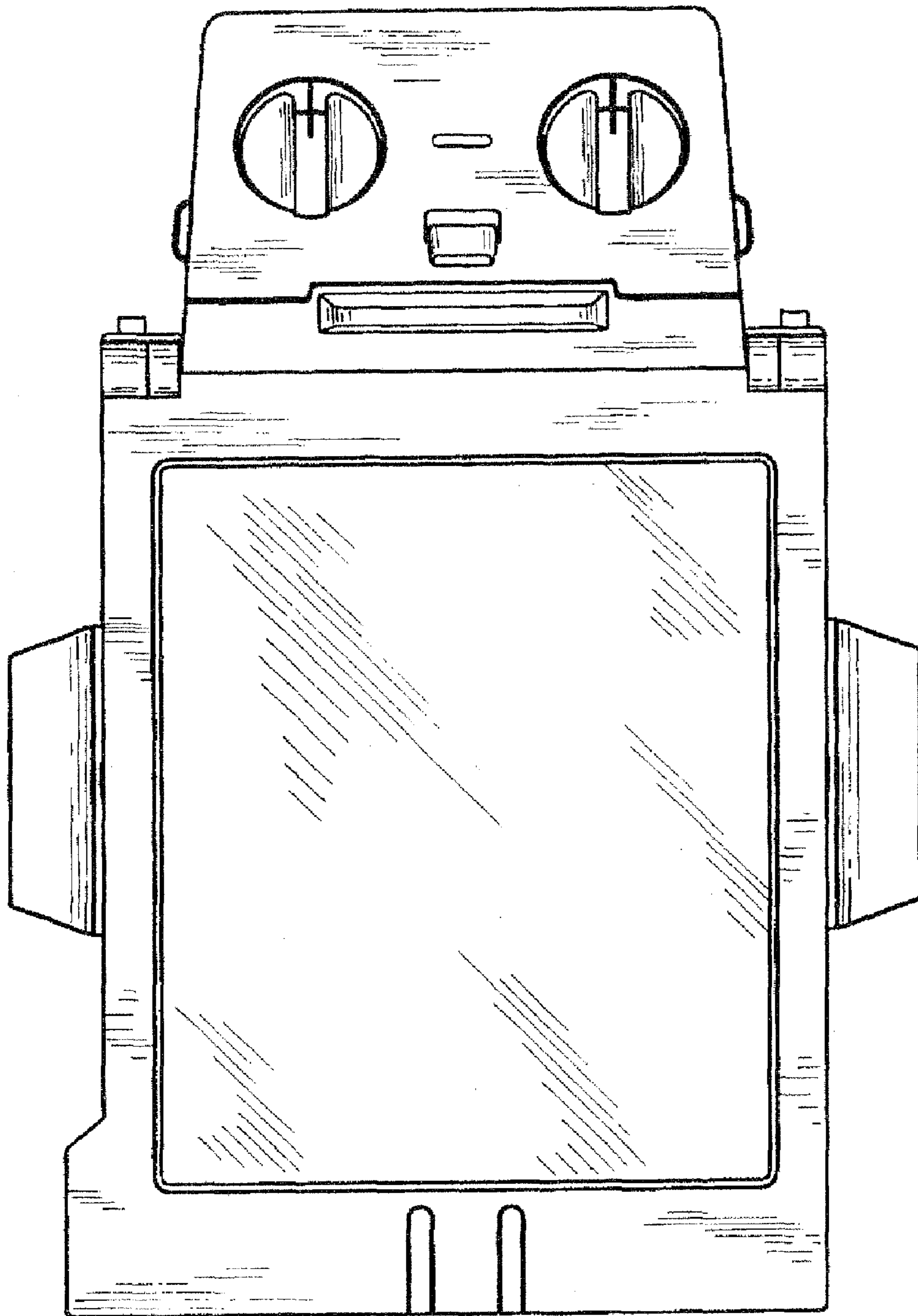


FIG. 5

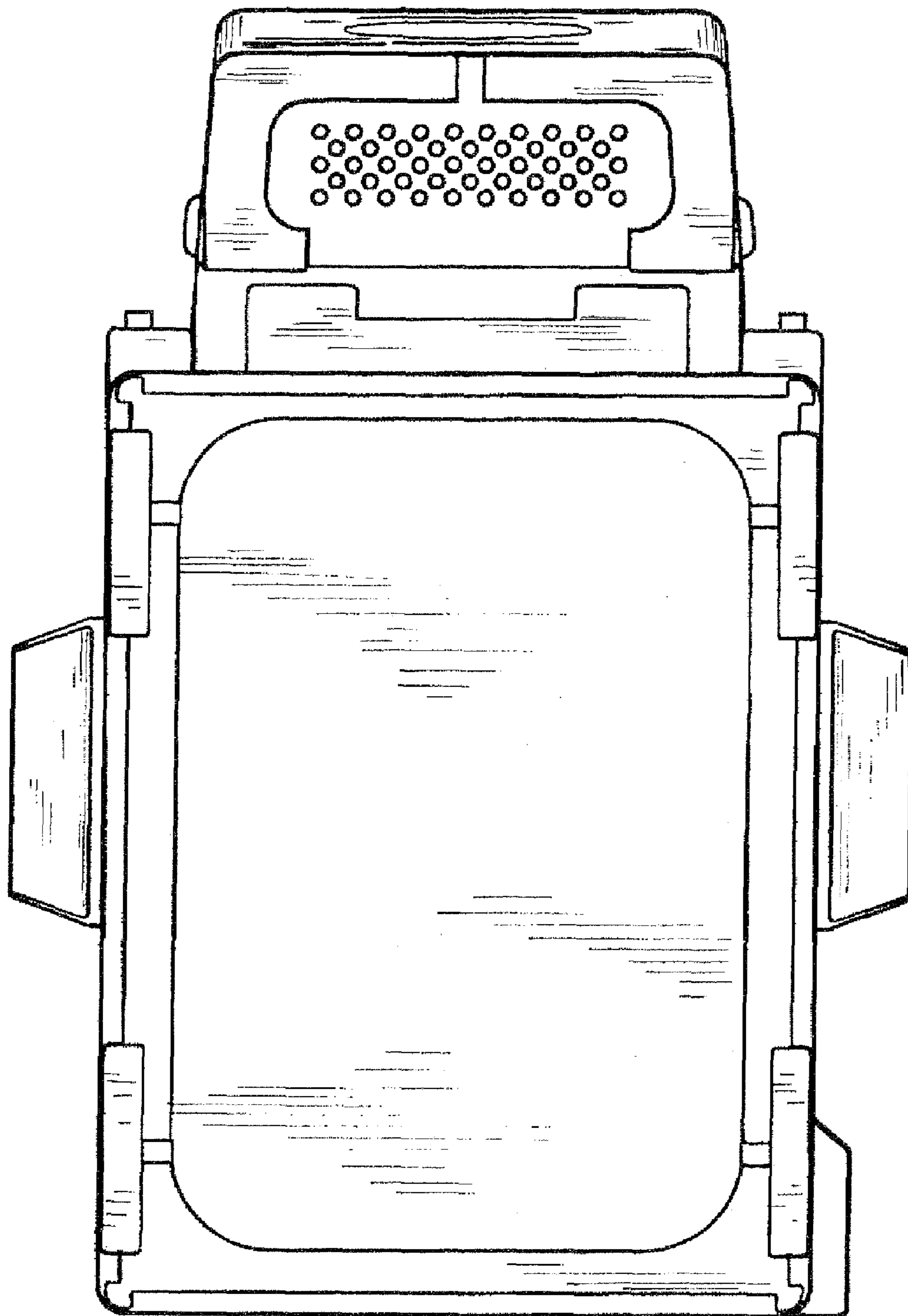


FIG. 6

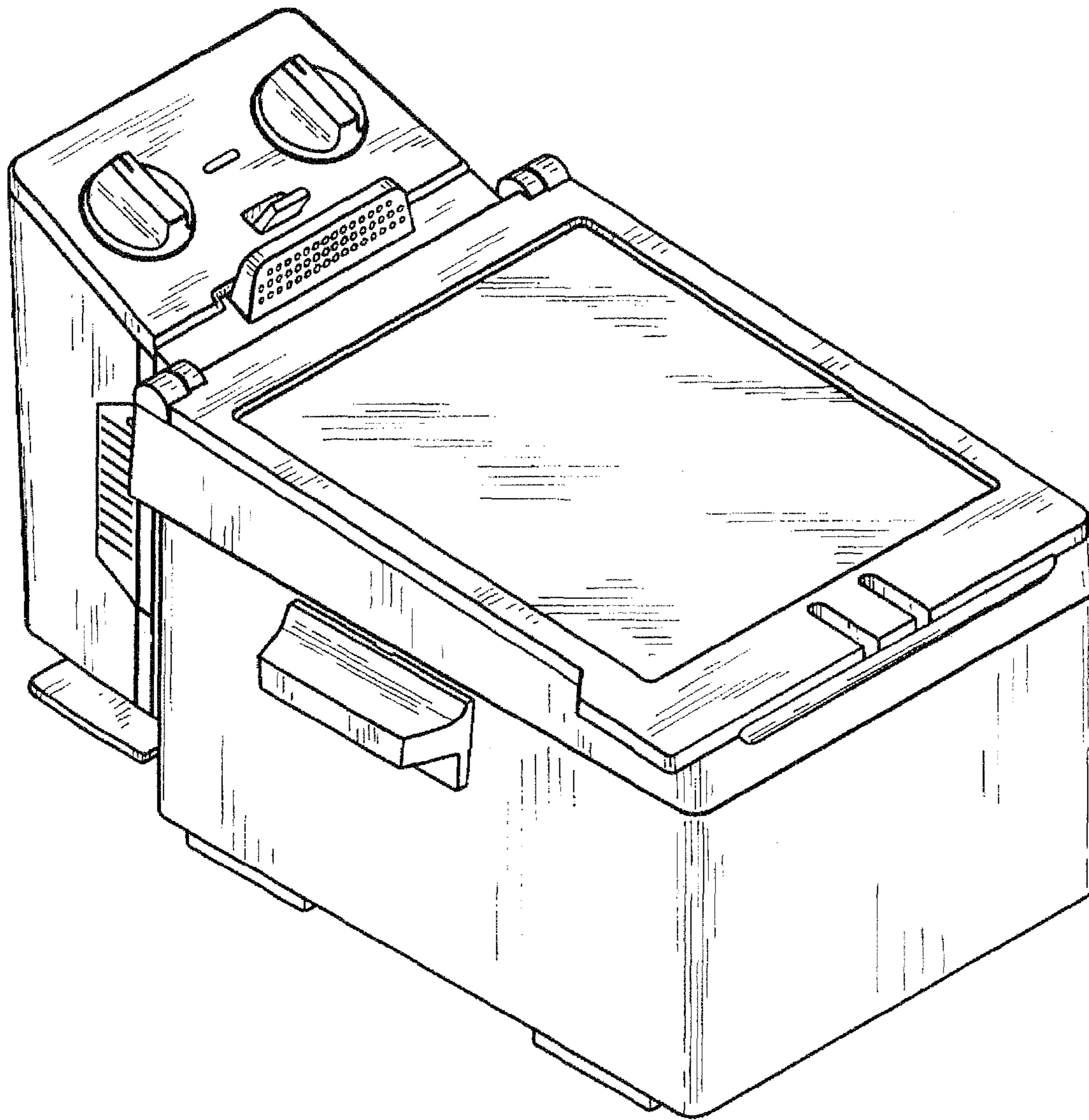


FIG. 7