



US00D604091S

(12) **United States Design Patent**  
**Wu**

(10) **Patent No.:** **US D604,091 S**

(45) **Date of Patent:** **\*\* Nov. 17, 2009**

(54) **MICROWAVE PASTA POT**

(76) Inventor: **Zhi Fei Wu**, House # 3-7, Tai Qiao Cun,  
Xi Wu Zone, Feng Hua Shi, Zhejiang  
(CN)

(\*\*) Term: **14 Years**

(21) Appl. No.: **29/310,907**

(22) Filed: **Sep. 16, 2008**

(51) **LOC (9) Cl.** ..... **07-02**

(52) **U.S. Cl.** ..... **D7/354**

(58) **Field of Classification Search** ..... D7/323,  
D7/332, 352-361, 365, 378-379, 383-384,  
D7/391-396.1, 402, 542-543, 545, 667;  
99/140 R, 337, 340, 345, 403, 422, 425, 445;  
219/438-442, 620-622, 725-730; 220/203.01,  
220/573.1-574, 769, 912

See application file for complete search history.

(56) **References Cited**

**U.S. PATENT DOCUMENTS**

D230,935 S *	3/1974	Lloveras	.....	D7/360
D347,356 S *	5/1994	Yim	.....	D7/360
D473,097 S *	4/2003	Brown et al.	.....	D7/354
D511,268 S *	11/2005	Ryan	.....	D7/360

\* cited by examiner

*Primary Examiner*—Joel Sincavage

*Assistant Examiner*—Ricky Pham

(74) *Attorney, Agent, or Firm*—Alix, Yale & Ristas, LLP

(57) **CLAIM**

The ornamental design for a microwave pasta pot, as shown and described.

**DESCRIPTION**

FIG. 1 is a perspective view of the microwave pasta pot and lid showing my new design;

FIG. 2 is an exploded perspective view of the microwave pasta pot and lid of FIG. 1; shown with the lid separated from the pot;

FIG. 3 is a front side view of the microwave pasta pot and lid of FIG. 1;

FIG. 4 is a rear side view of the microwave pasta pot and lid of FIG. 1;

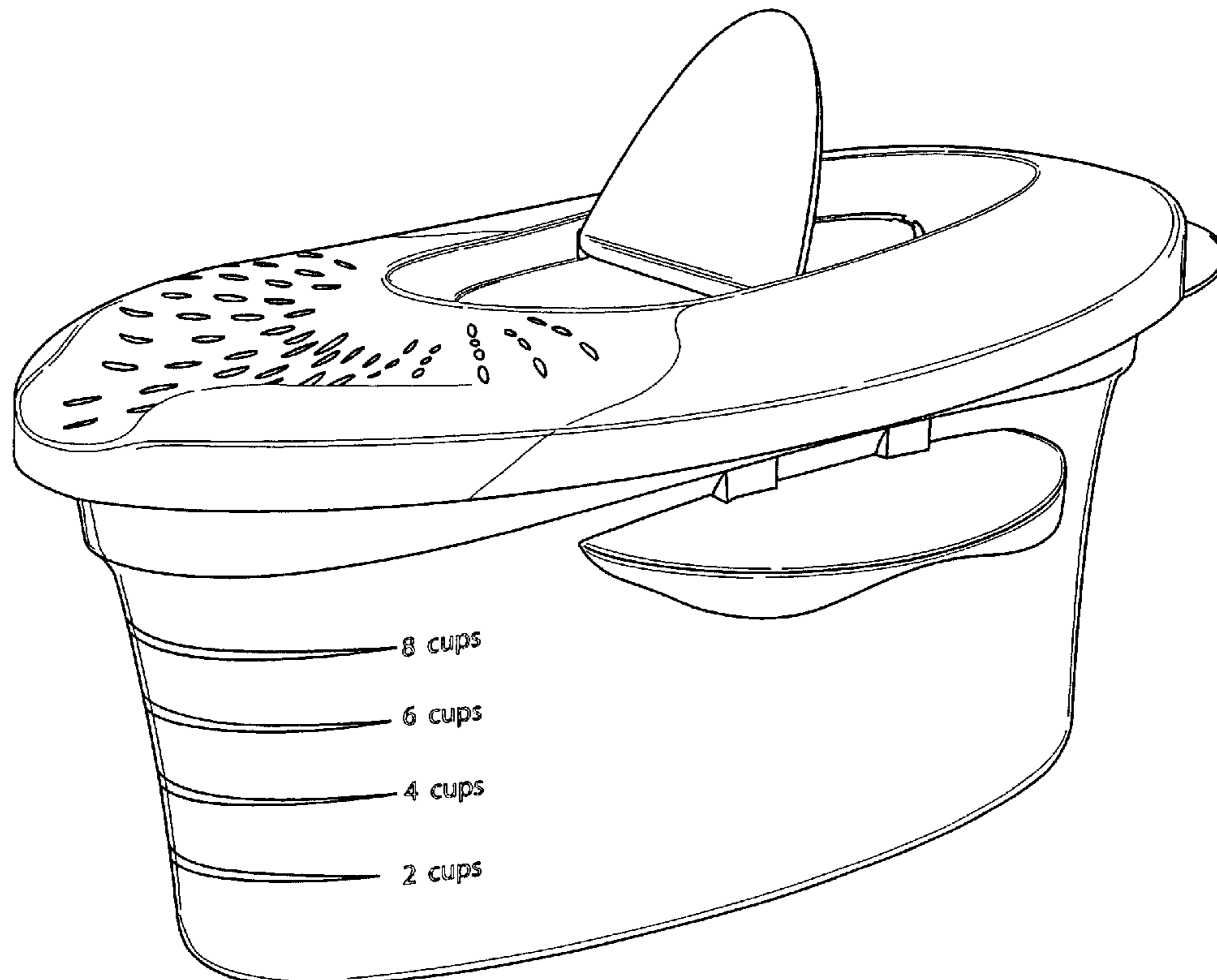
FIG. 5 is a left end view of the microwave pasta pot and lid of FIG. 1;

FIG. 6 is a right end view of the microwave pasta pot and lid of FIG. 1;

FIG. 7 is a top plan view of the microwave pasta pot and lid of FIG. 1; and,

FIG. 8 is a bottom plan view of the microwave pasta pot and lid of FIG. 1.

**1 Claim, 8 Drawing Sheets**



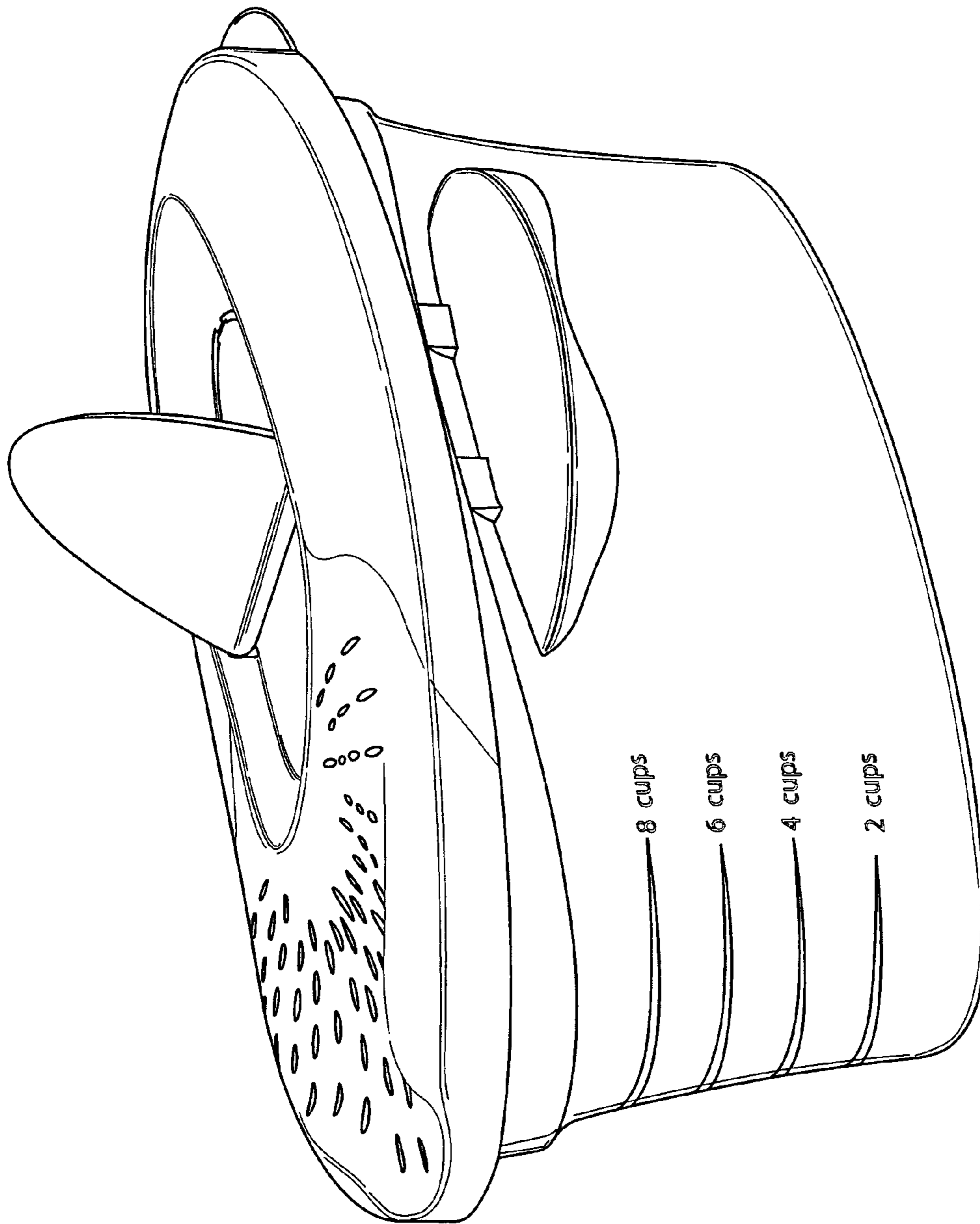


FIG. 1

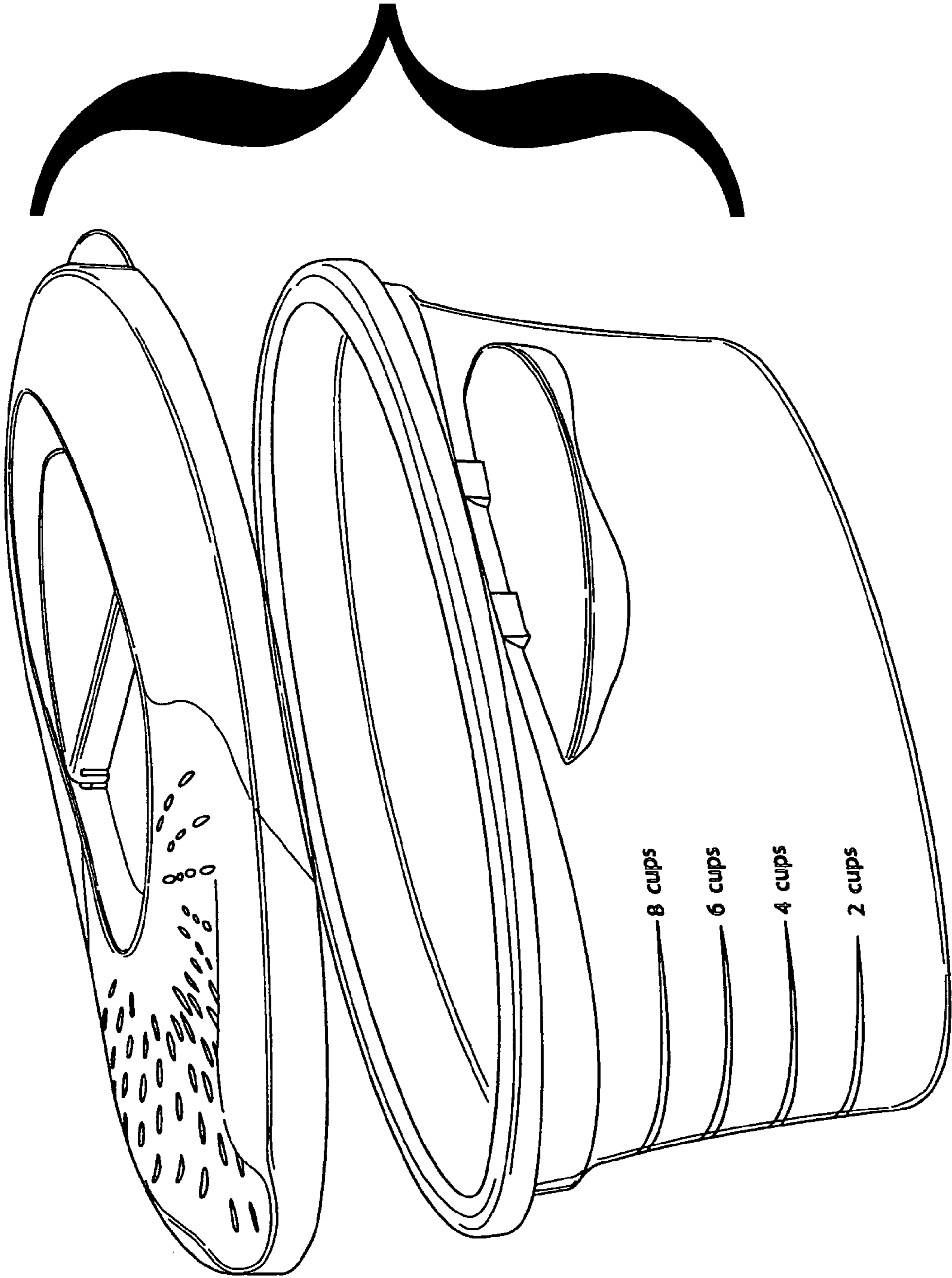


FIG.2

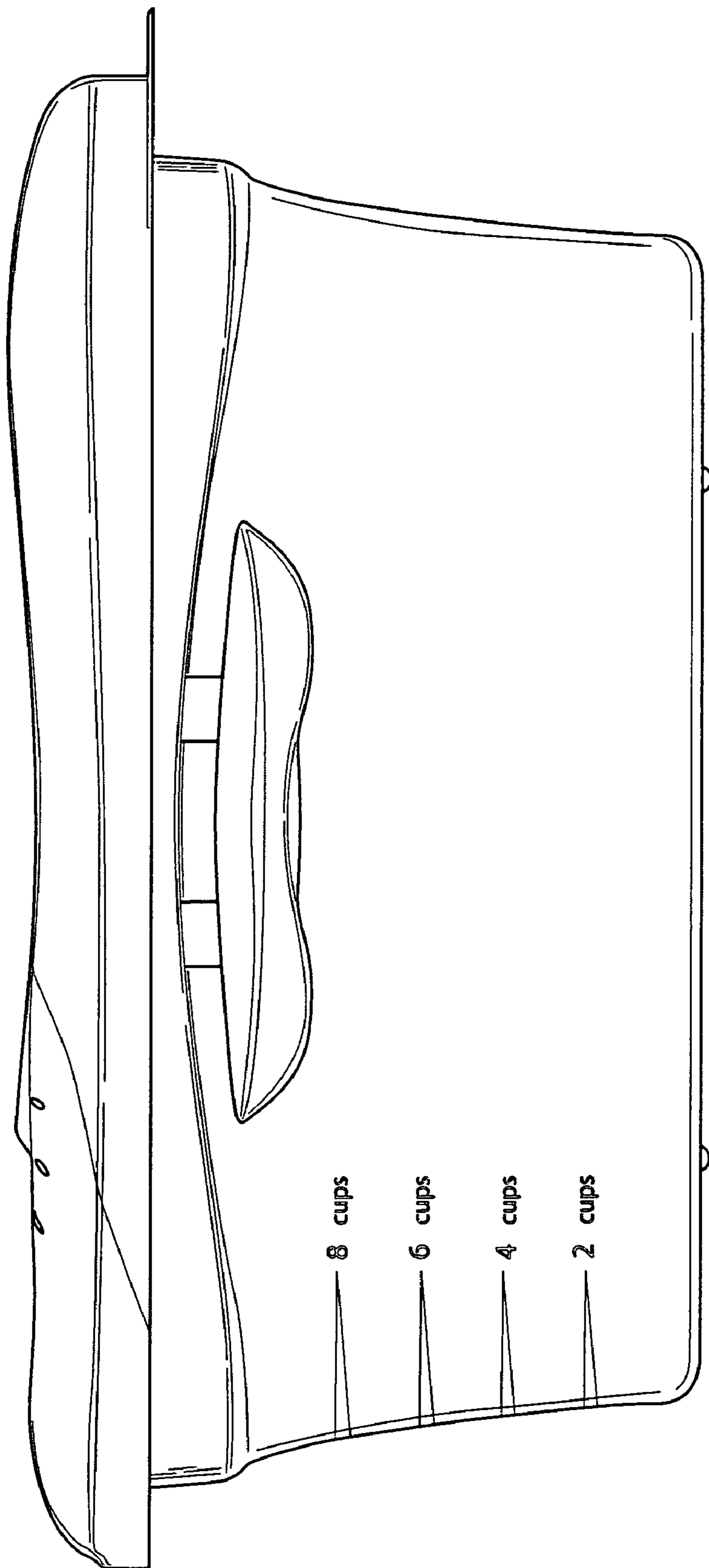


FIG. 3

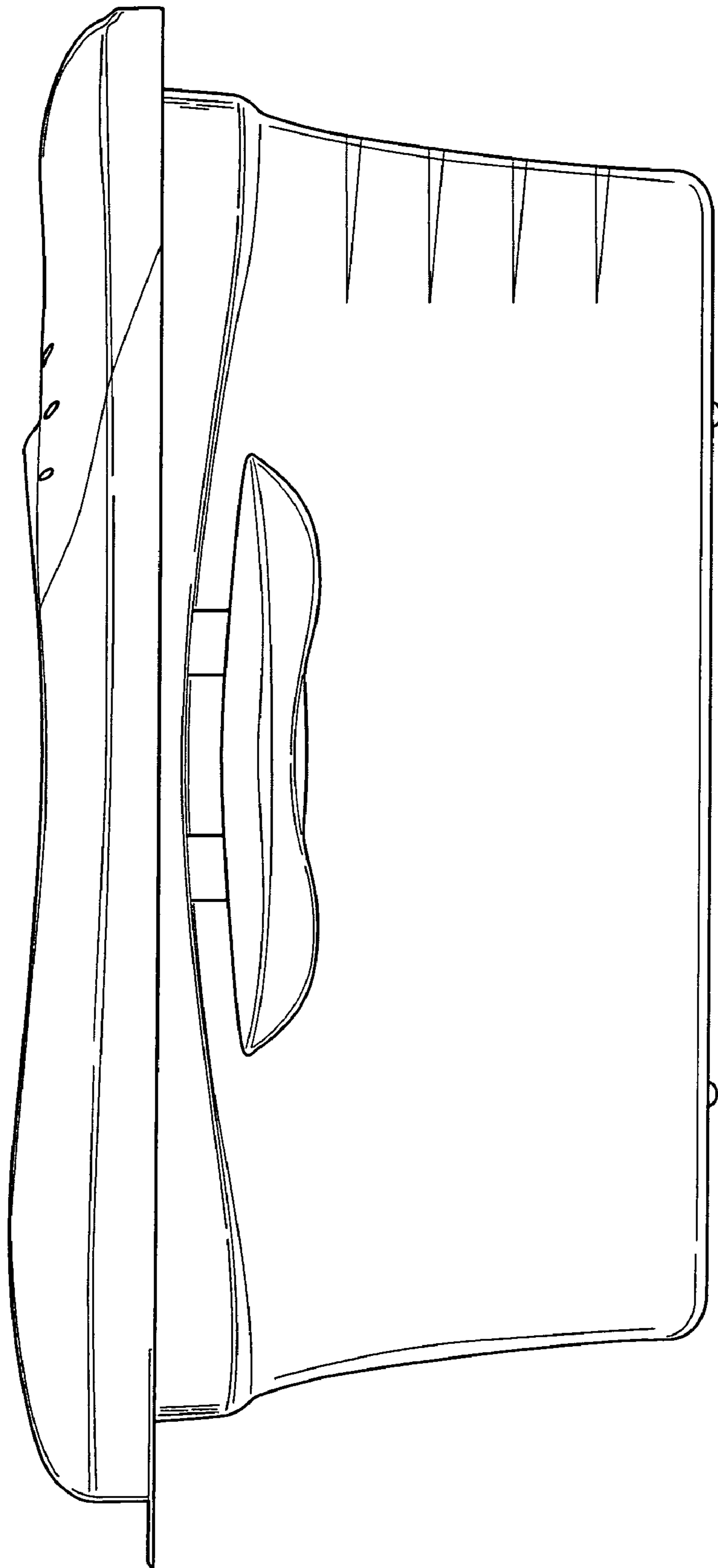


FIG. 4

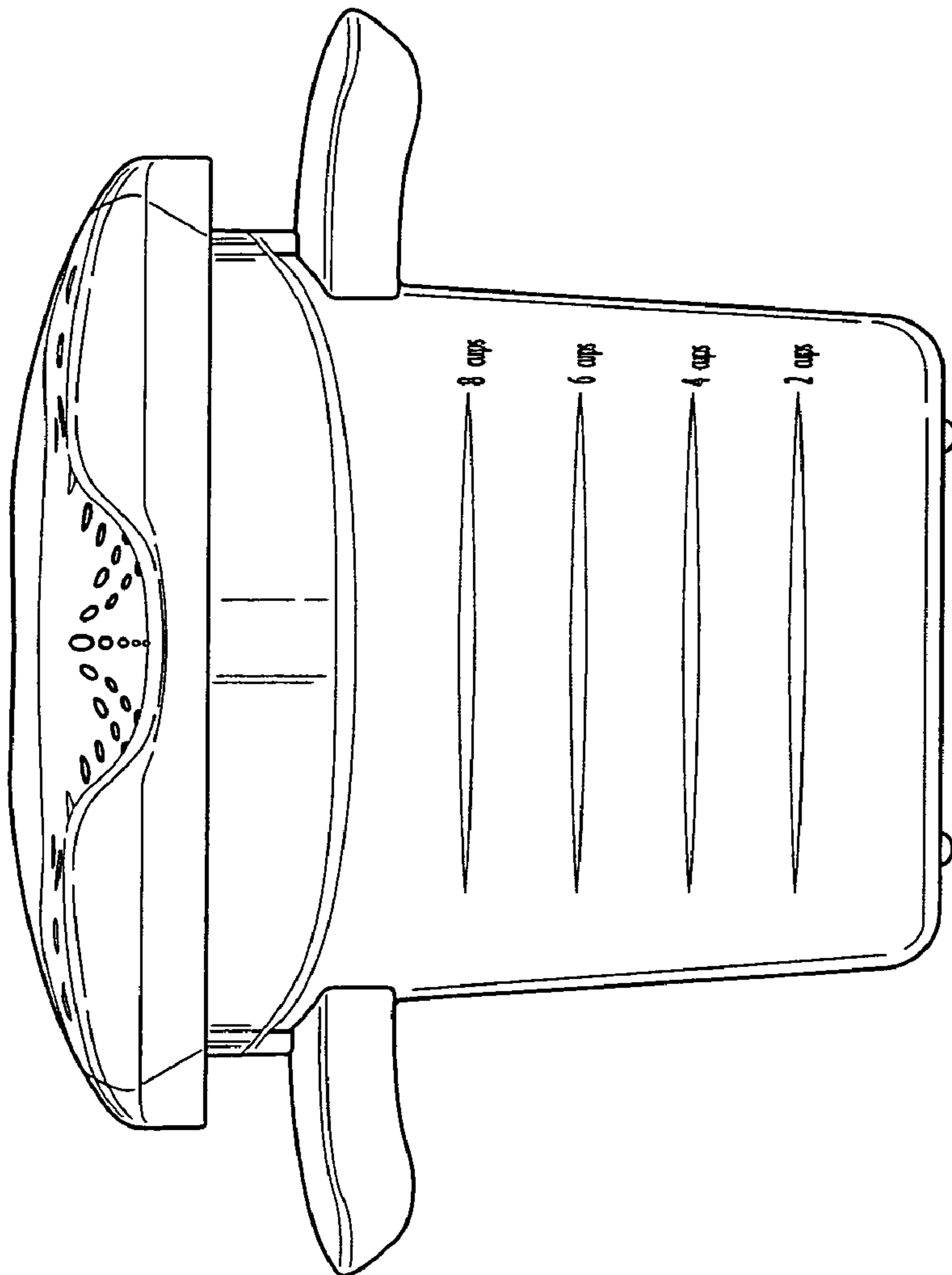
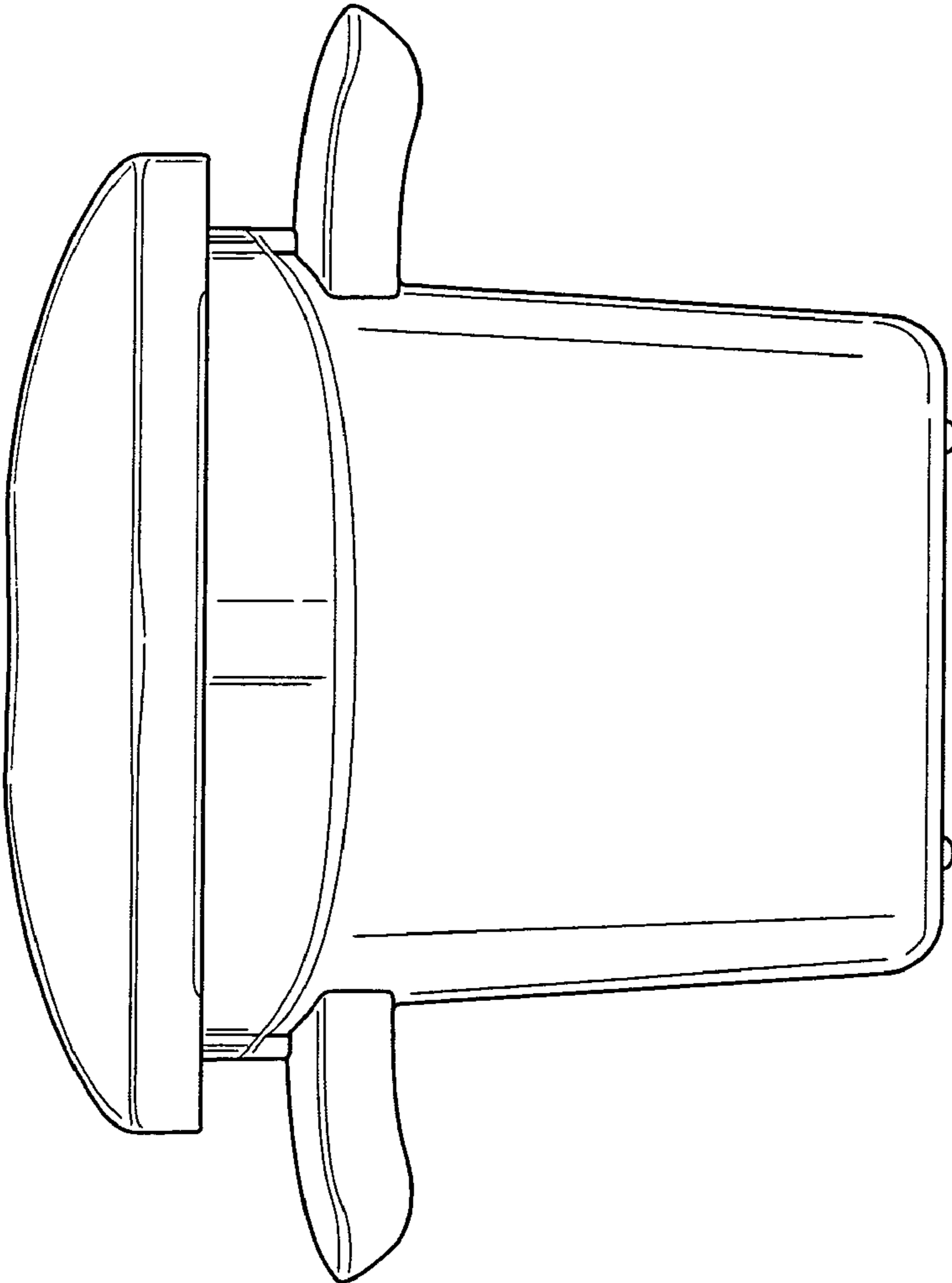


FIG. 5



**FIG. 6**

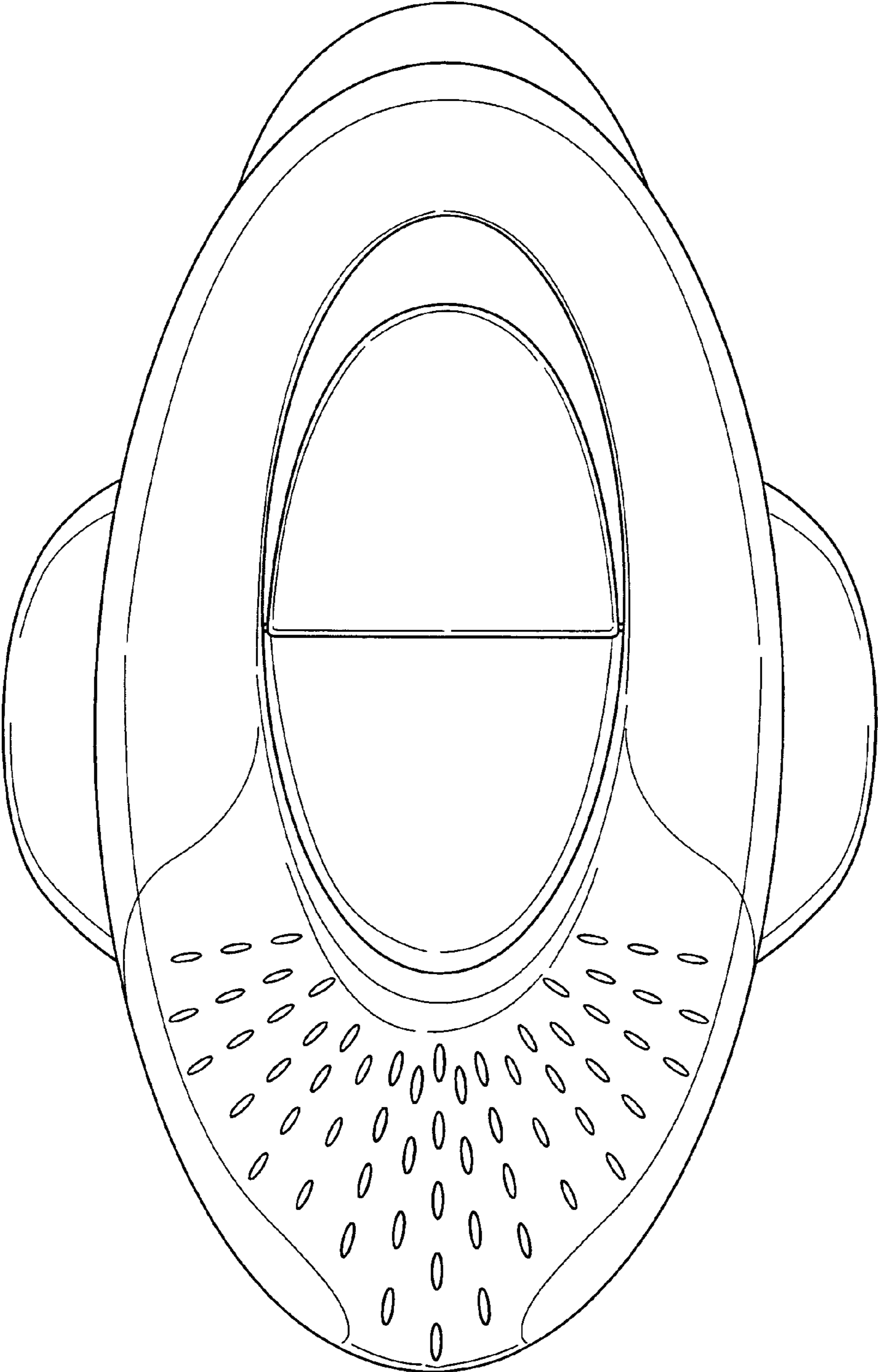


FIG. 7



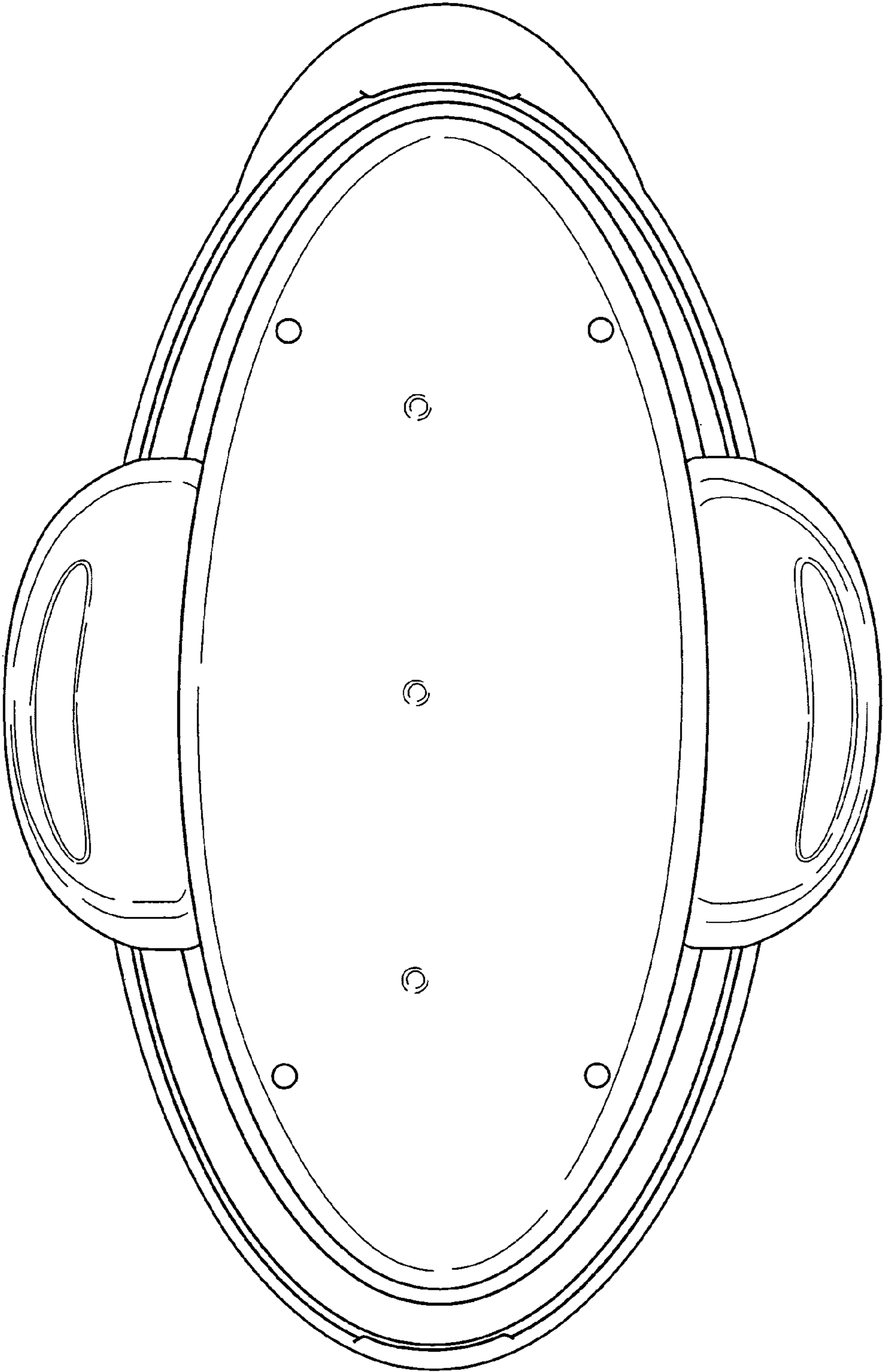


FIG. 8