



US00D604090S

(12) **United States Design Patent**
Proffitt et al.

(10) **Patent No.:** **US D604,090 S**

(45) **Date of Patent:** **** Nov. 17, 2009**

(54) **GAS GRILL**

(75) Inventors: **Mark Proffitt**, Greeneville, TN (US);
Kevin Groth, Johnson City, TN (US);
Whitney Winter, Greeneville, TN (US);
Charles Robert Hebner, Jonesborough,
TN (US)

(73) Assignee: **Meco Corporation**, Greeneville, TN
(US)

(**) Term: **14 Years**

(21) Appl. No.: **29/299,826**

(22) Filed: **Jan. 4, 2008**

(51) **LOC (9) Cl.** **07-02**

(52) **U.S. Cl.** **D7/334**

(58) **Field of Classification Search** D7/332-337,
D7/402-405, 352-353; 126/519, 25 R, 25 A,
126/25 AA, 41 R, 29, 30, 9 R, 38, 37 R, 40,
126/50, 250; 99/444-445, 448, 481-482,
99/372, 375, 250, 389

See application file for complete search history.

(56) **References Cited**

U.S. PATENT DOCUMENTS

D486,033 S * 2/2004 Tseng D7/334

D501,753 S *	2/2005	Pai	D7/334
D502,357 S *	3/2005	Pai	D7/334
D521,307 S *	5/2006	Parrant et al.	D7/334
D521,308 S *	5/2006	Tseng	D7/334
D529,331 S *	10/2006	Chung	D7/334
D535,138 S *	1/2007	Lutz	D7/334
D544,290 S *	6/2007	Pai	D7/334
D568,670 S *	5/2008	Proffitt et al.	D7/334
D570,150 S *	6/2008	Pai	D7/334

* cited by examiner

Primary Examiner—Ruth McInroy

(74) *Attorney, Agent, or Firm*—McGuireWoods LLP

(57) **CLAIM**

We claim the ornamental design for a gas grill, as shown and described.

DESCRIPTION

FIG. 1 is a front view of a gas grill showing our new design;

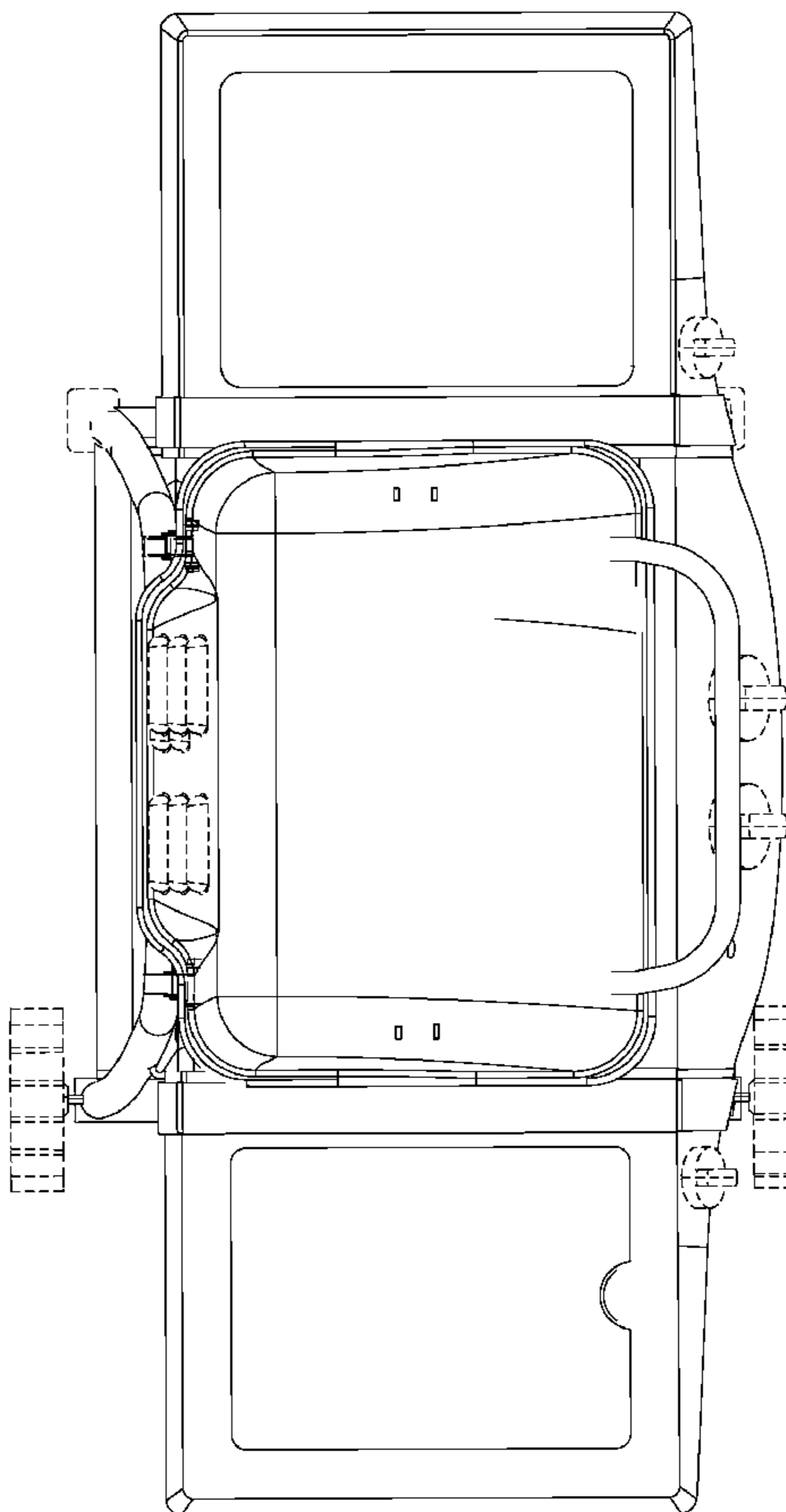
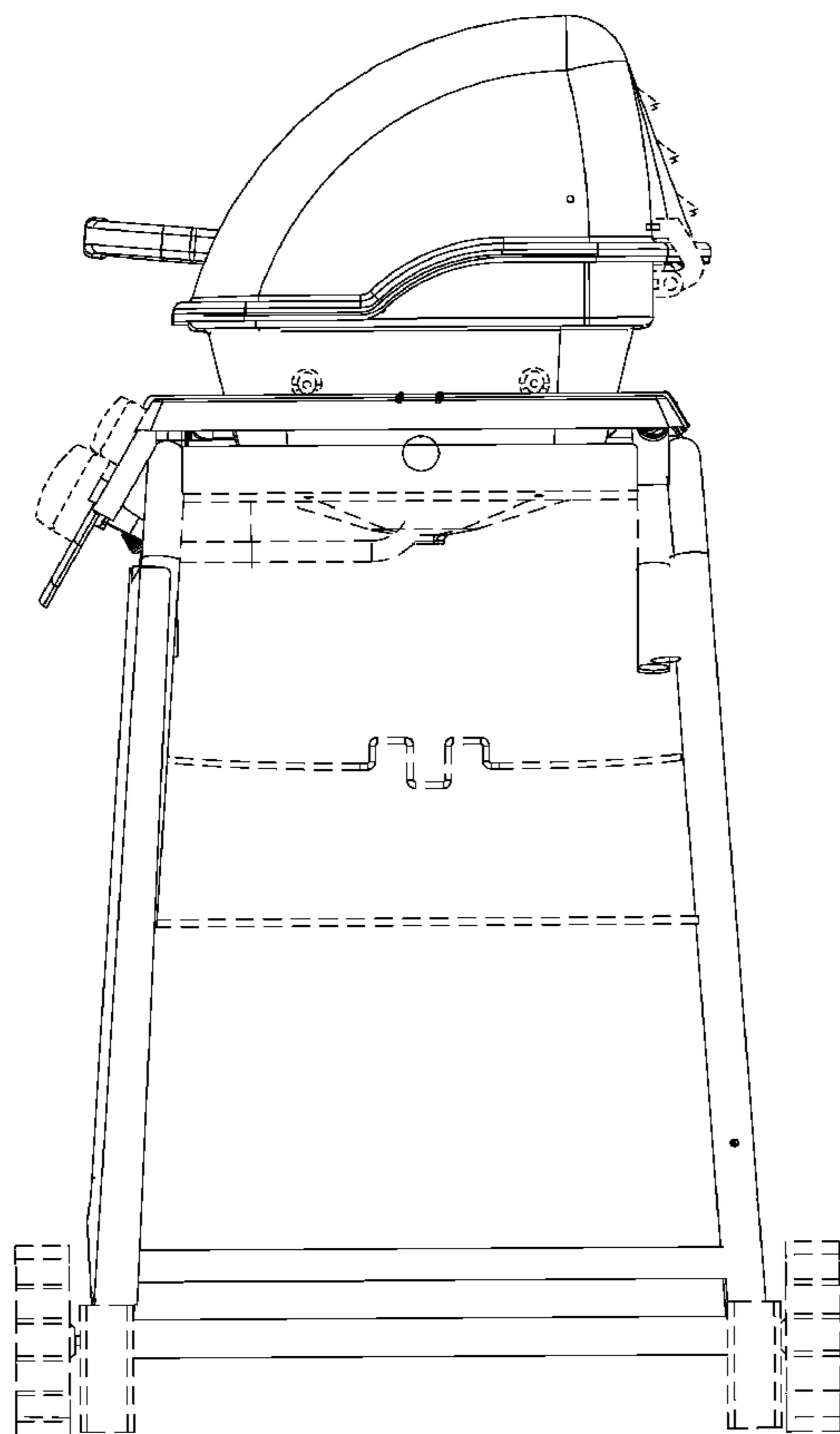
FIG. 2 is a left side view thereof;

FIG. 3 is a top plan view thereof; and,

FIG. 4 is a front and left-side perspective view thereof.

The details shown in broken lines form no part of the claimed design.

1 Claim, 4 Drawing Sheets



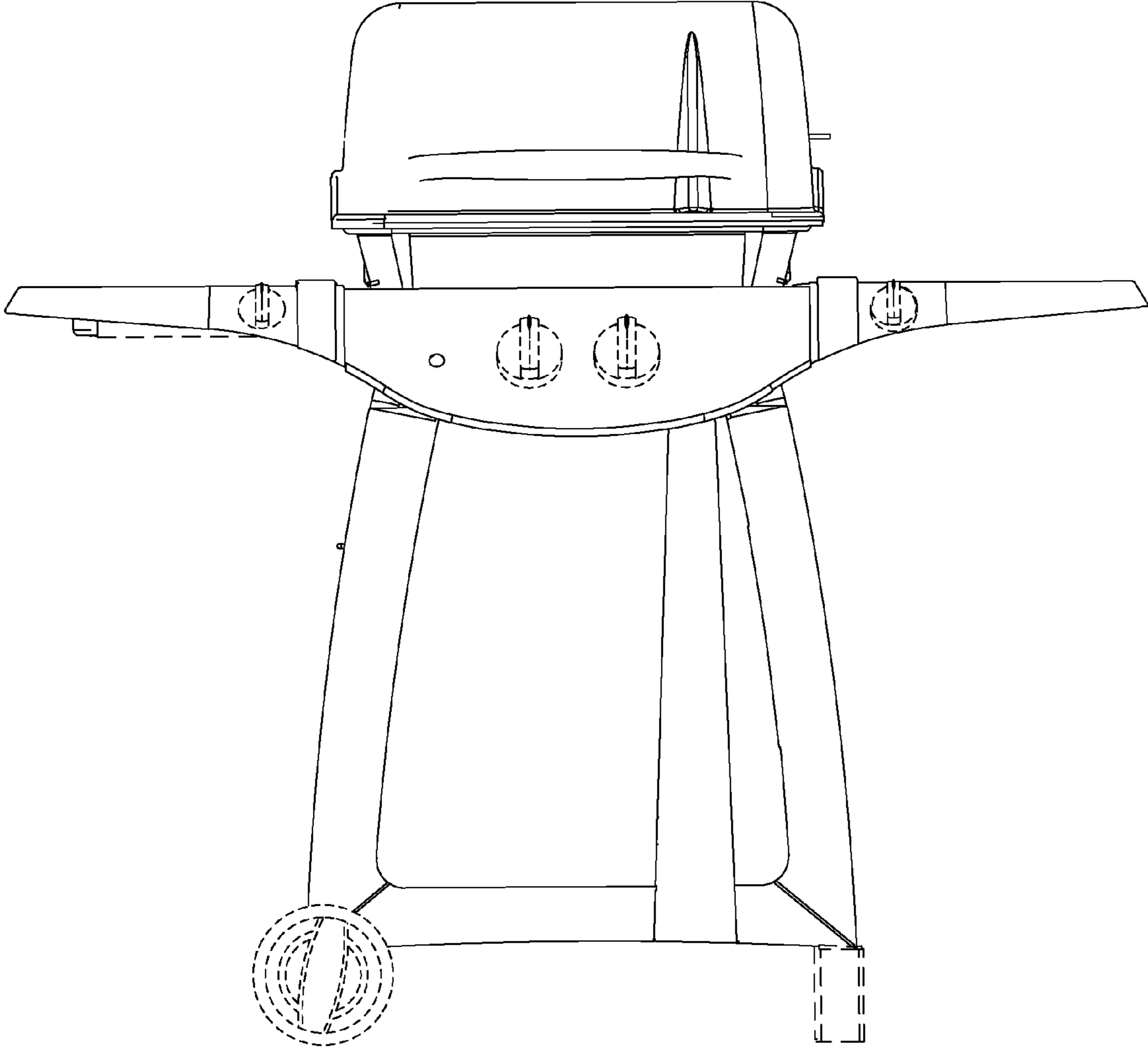


Fig. 1

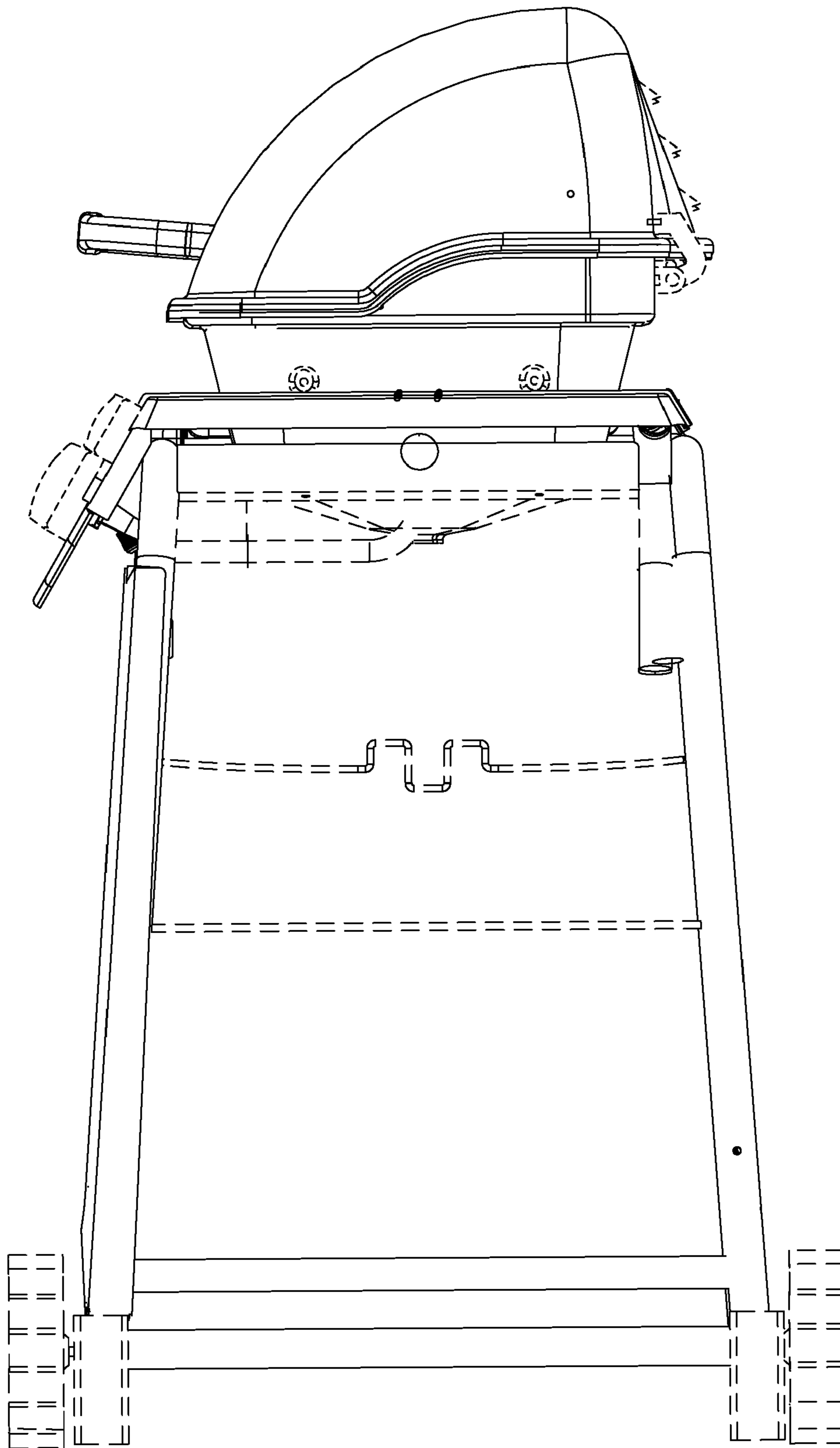


Fig. 2

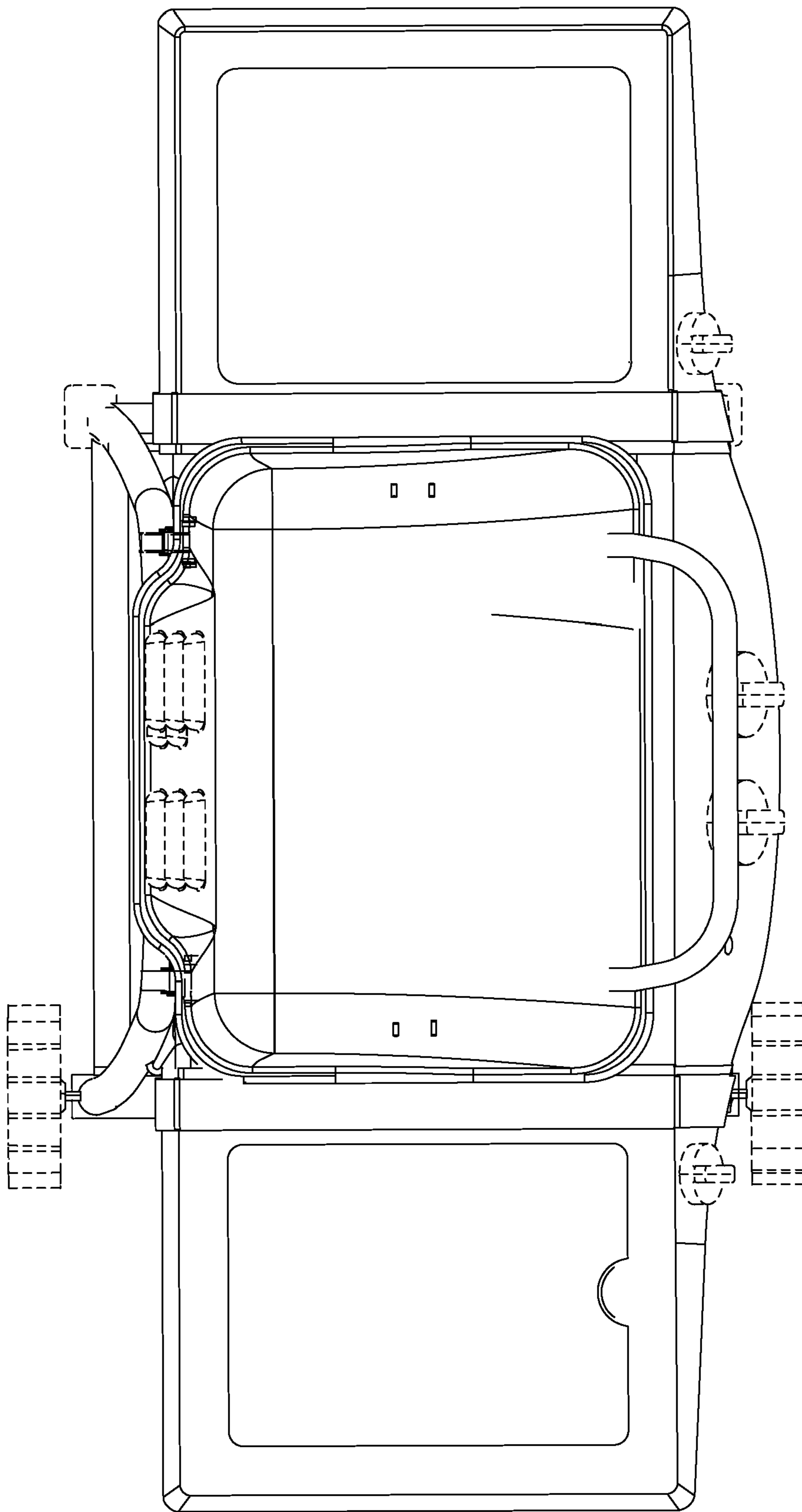


Fig. 3

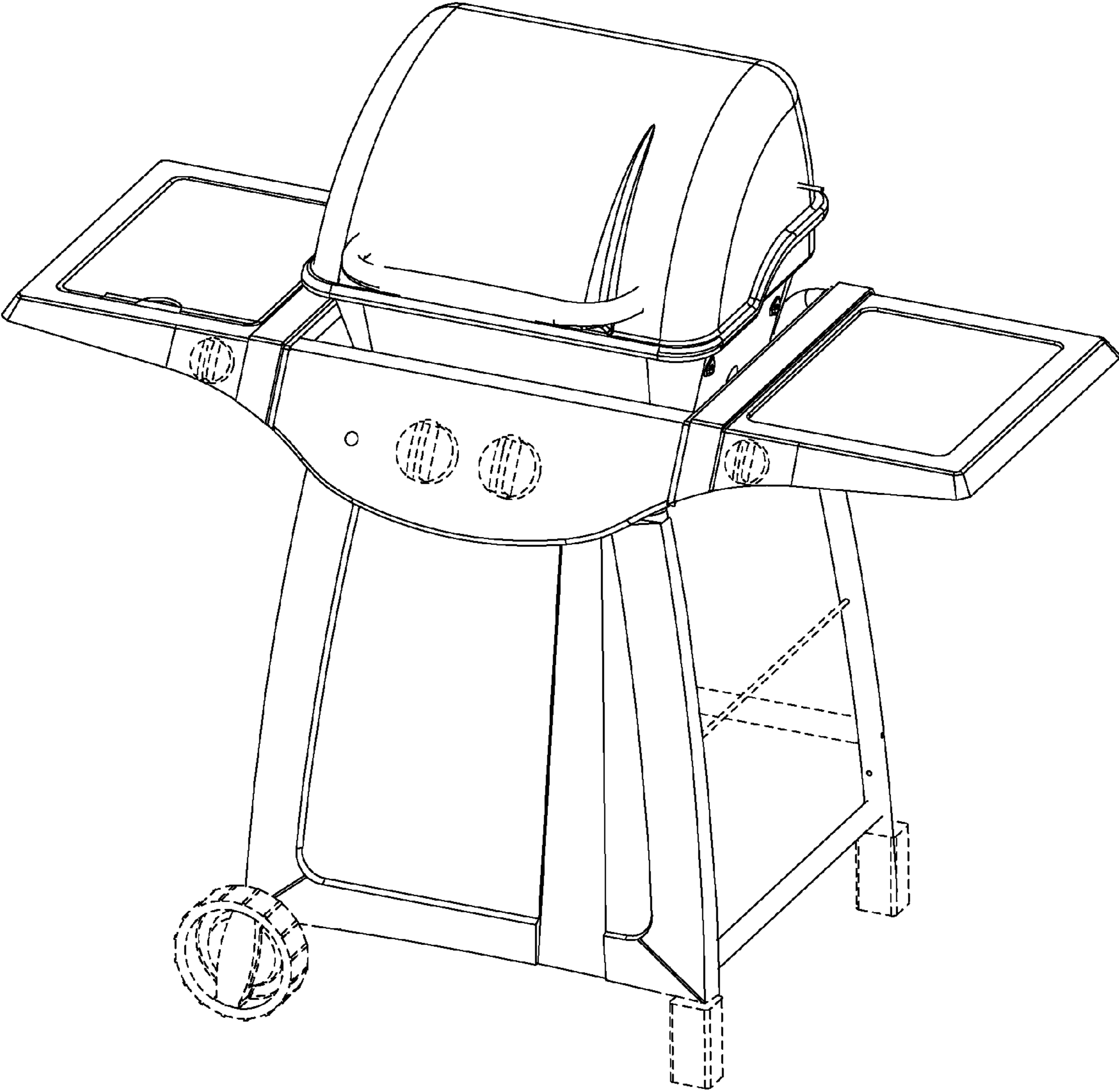


Fig. 4