



US00D604086S

(12) **United States Design Patent**
Lipinski et al.

(10) **Patent No.:** **US D604,086 S**

(45) **Date of Patent:** **** Nov. 17, 2009**

(54) **BEVERAGE DISPENSER**

(76) Inventors: **Bernie Lipinski**, 6800 - 74th St. S.,
Cottage Grove, MN (US) 55016; **Pat**
Clancy, 8314 Copperfield Way, Inver
Grove Heights, MN (US) 55076

(**) Term: **14 Years**

(21) Appl. No.: **29/310,880**

(22) Filed: **Sep. 16, 2008**

(51) **LOC (9) Cl.** **07-01**

(52) **U.S. Cl.** **D7/301; D7/306; D7/313**

(58) **Field of Classification Search** D7/300,
D7/306-308, 309-311, 313, 301, 302, 303,
D7/515; D15/80; D20/4; 99/295, 293, 323.1,
99/279; 206/217; 215/13.1; 222/185.1,
222/146.6; D23/207

See application file for complete search history.

(56) **References Cited**

U.S. PATENT DOCUMENTS

D228,328 S *	9/1973	Schley	D7/507
4,164,284 A *	8/1979	Witt et al.	206/217
D258,125 S *	2/1981	Bailey	D11/157
D354,642 S *	1/1995	Stoddard et al.	D6/450
D370,154 S *	5/1996	Gruneisen, III	D7/515
D377,998 S *	2/1997	Dunn	D28/67
D425,757 S *	5/2000	Printz et al.	D7/510
D478,480 S *	8/2003	Leon	D7/624.1
D511,212 S *	11/2005	Whalen	D24/197

D522,303 S *	6/2006	Estes	D7/301
D546,110 S *	7/2007	Stein	D7/301
D547,696 S *	7/2007	Wheeler	D11/149
D574,664 S *	8/2008	Thompson	D7/515
D575,079 S *	8/2008	Hirsh	D6/434
D589,765 S *	4/2009	Zuloff	D7/515

* cited by examiner

Primary Examiner—Marianne Pandozzi

(74) *Attorney, Agent, or Firm*—Nikolai & Mersereau, P.A.

(57) **CLAIM**

The ornamental design for a “beverage dispenser,” as shown and described.

DESCRIPTION

FIG. 1 is a perspective view of the beverage dispenser of the present invention

FIG. 2 is a front plan view of the beverage dispenser shown in FIG. 1.

FIG. 3 is a right side plan view of the beverage dispenser shown in FIG. 1, the left side plan view being the mirror image thereof.

FIG. 4 is a back plan view of the beverage dispenser shown in FIG. 1.

FIG. 5 is a top plan view of the beverage dispenser shown in FIG. 1; and,

FIG. 6 is a bottom plan view of the beverage dispenser shown in FIG. 1.

1 Claim, 2 Drawing Sheets

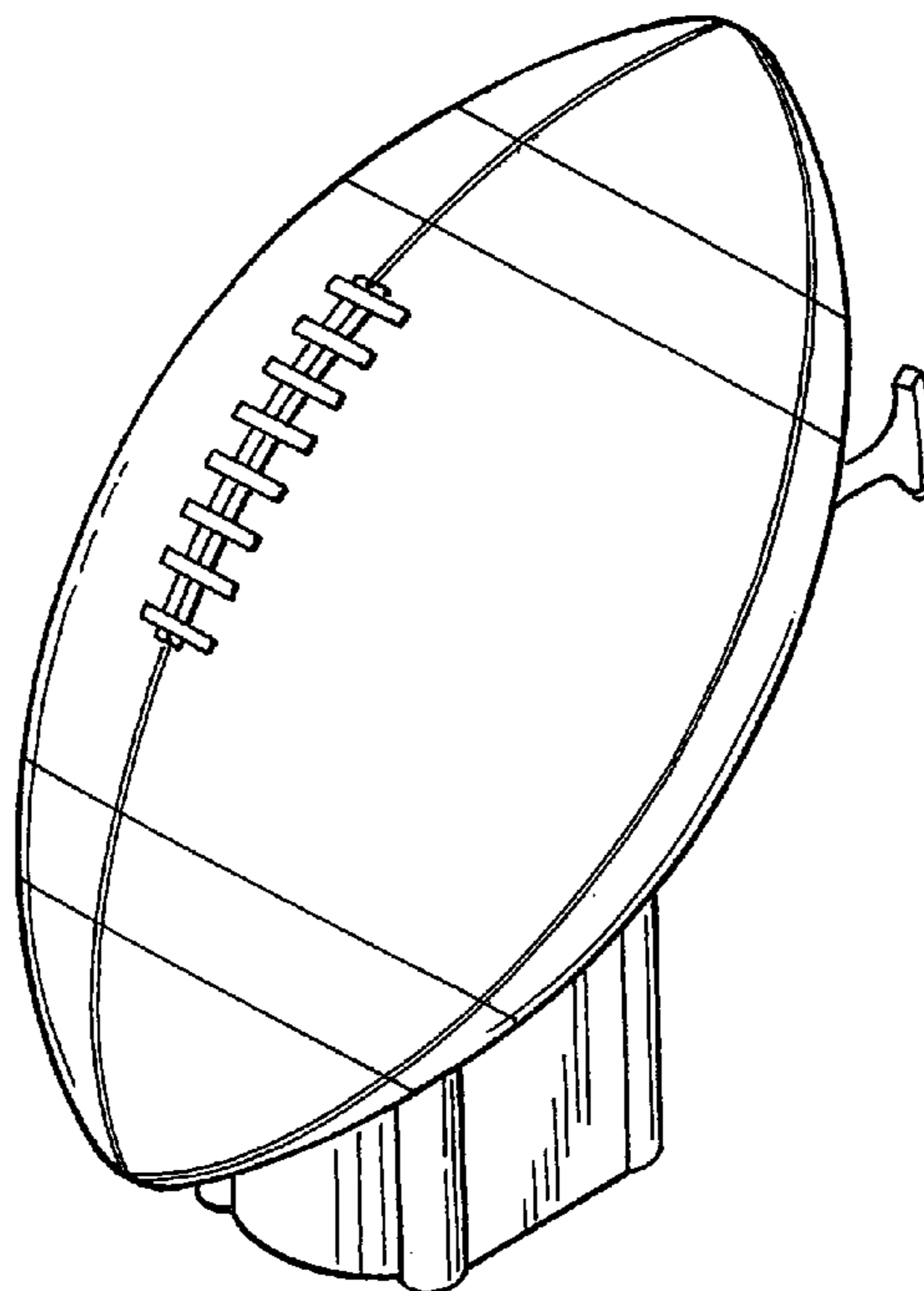


FIG. 1

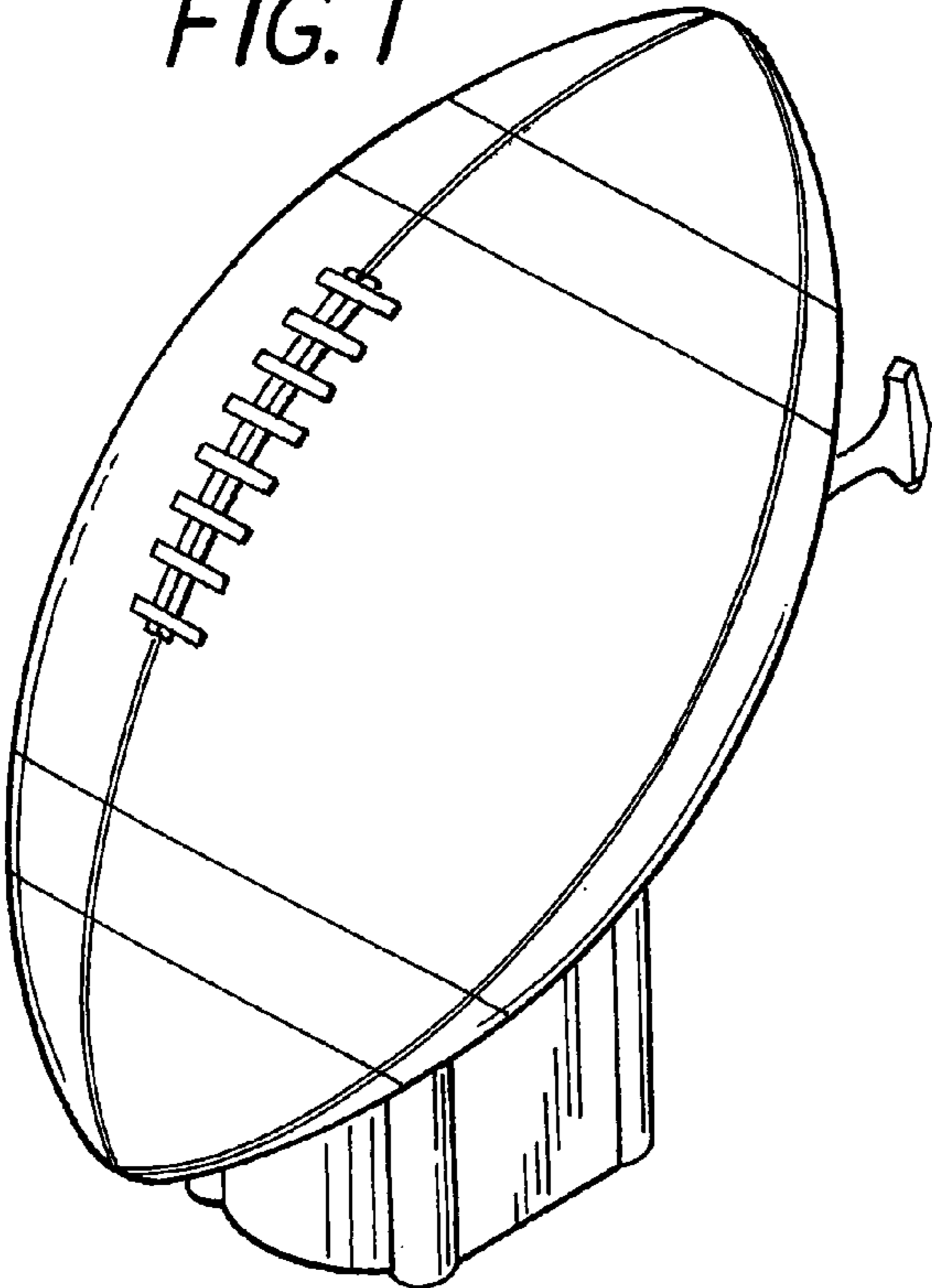


FIG. 2

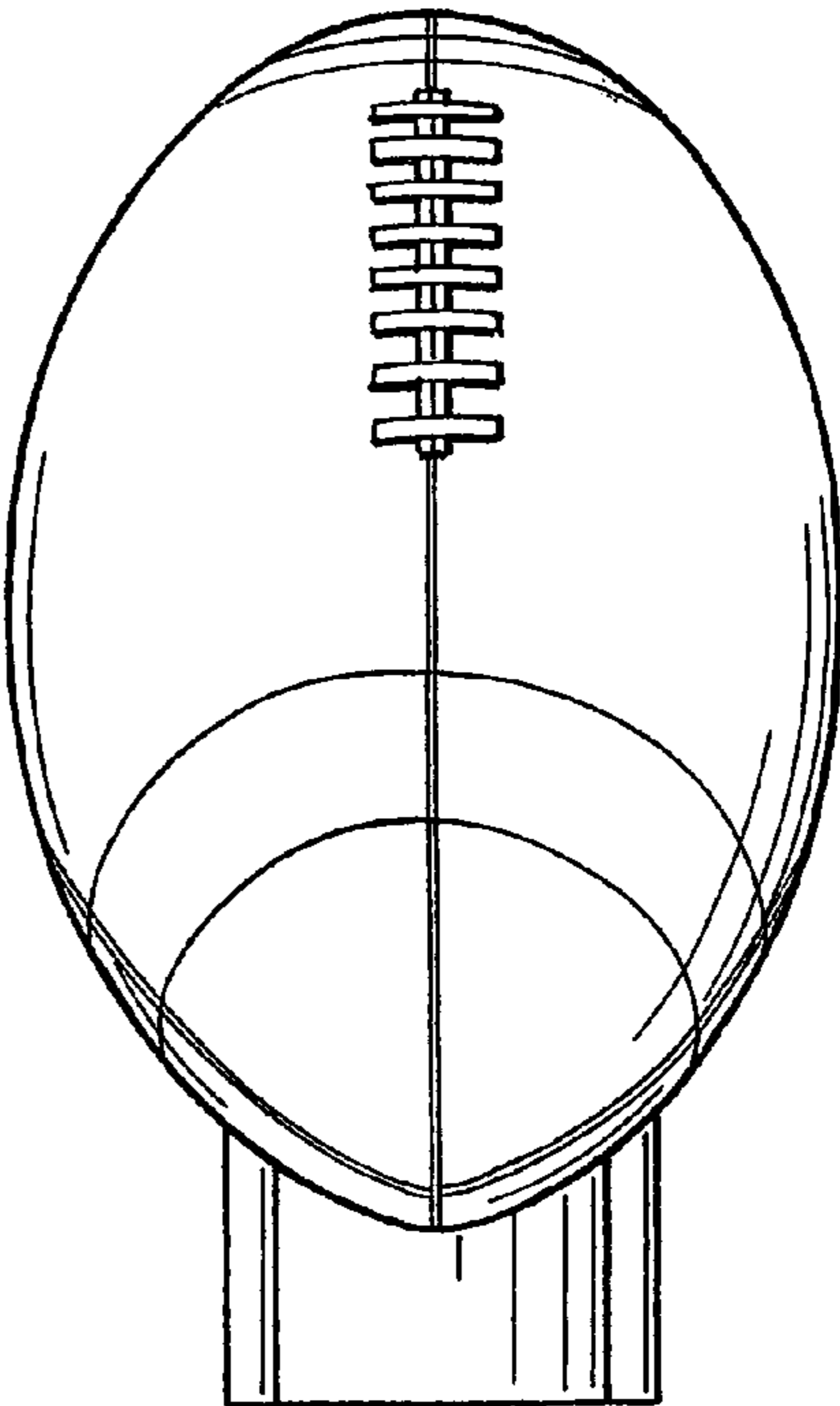


FIG. 3

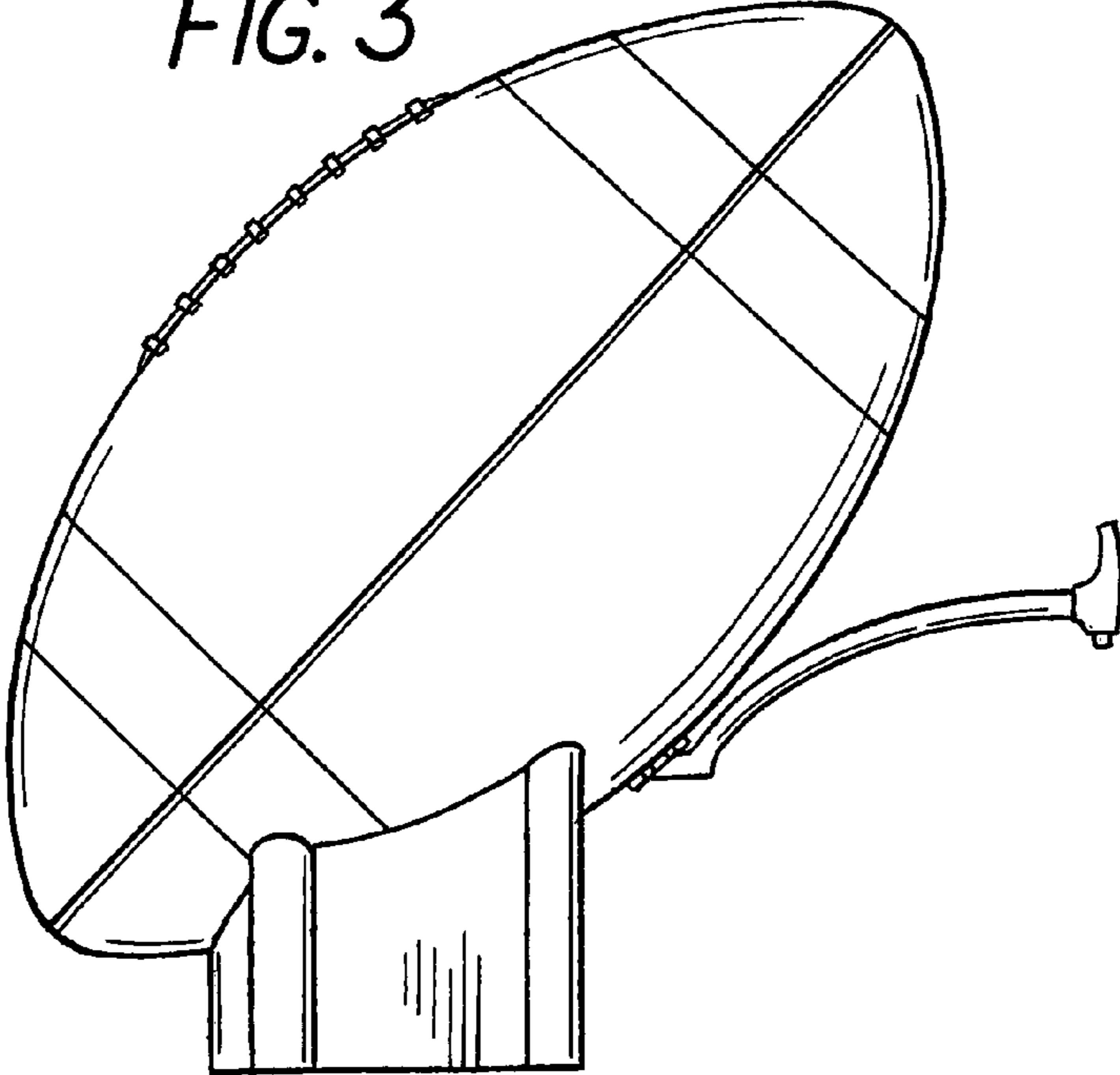


FIG. 4

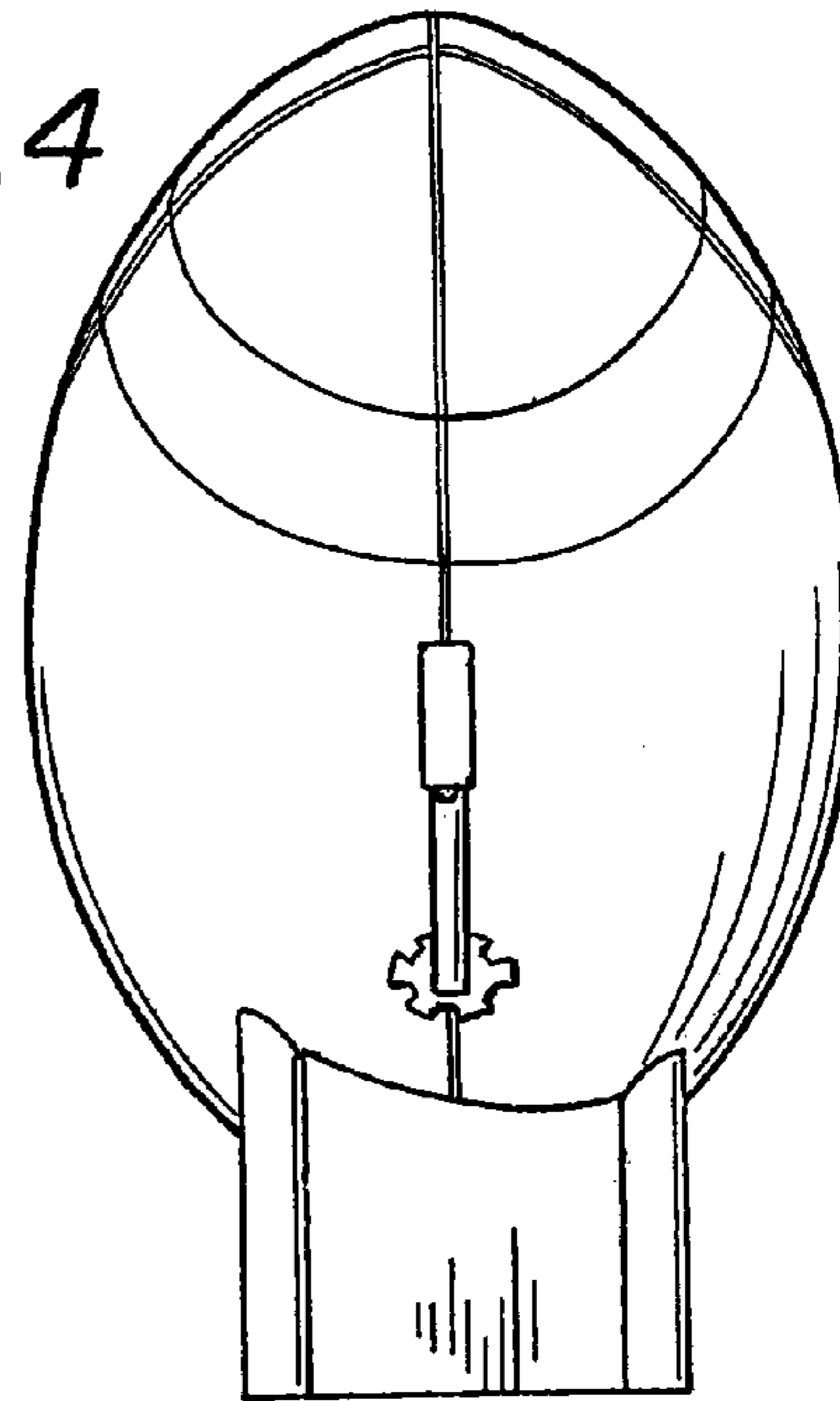


FIG. 5

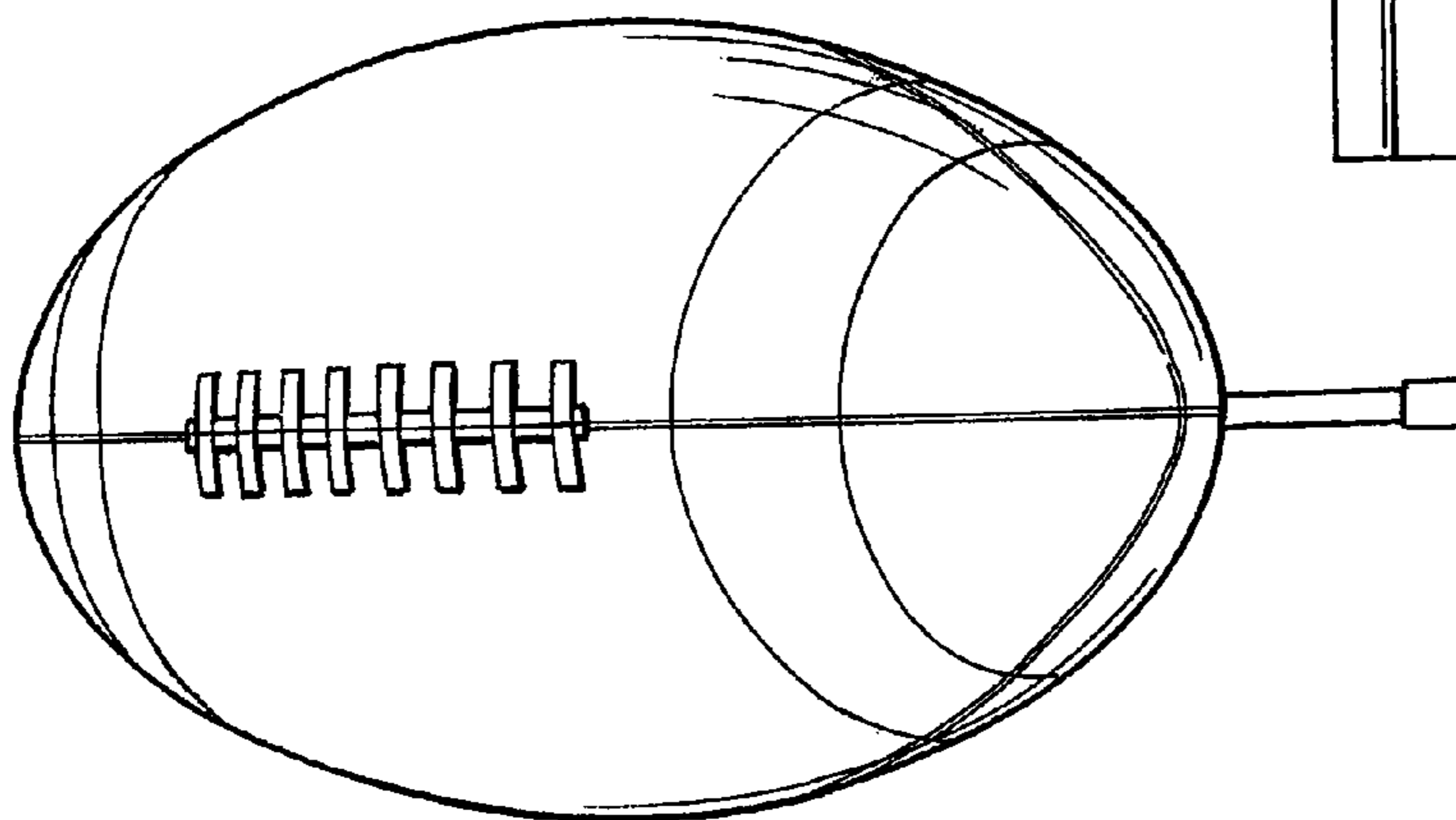


FIG. 6

