

US00D604081S

(12) **United States Design Patent**  
**Nunes**

(10) **Patent No.:** **US D604,081 S**

(45) **Date of Patent:** **\*\* Nov. 17, 2009**

(54) **WALL MOUNTABLE PLANTER**

(76) Inventor: **Brendon Nunes**, 467 Westney Rd. S.,  
Unit 3, Ajax, Ontario (CA) L1S 8V7

(\*\*) Term: **14 Years**

(21) Appl. No.: **29/314,837**

(22) Filed: **May 4, 2009**

**Related U.S. Application Data**

(62) Division of application No. 11/976,467, filed on Oct. 25, 2007.

(51) **LOC (9) Cl.** ..... **06-04**

(52) **U.S. Cl.** ..... **D6/556**

(58) **Field of Classification Search** ..... D6/553,  
D6/556; 211/13.1, 71.01, 86.01, 88.03, 106,  
211/181.1; 47/39, 72, 65.5; 248/200, 302,  
248/304, 309.1, 311.2, 314; D26/72, 73  
See application file for complete search history.

(56) **References Cited**

**U.S. PATENT DOCUMENTS**

4,295,296 A 10/1981 Kinghorn

4,334,387 A	6/1982	Karpisek	
5,469,655 A	11/1995	Lin	
D371,926 S *	7/1996	Powell	..... D6/556
5,620,283 A	4/1997	Walter	
D398,801 S *	9/1998	Shaw	..... D6/556
D407,994 S	4/1999	Adinolfi et al.	
D451,742 S *	12/2001	Jones et al.	..... D6/556

\* cited by examiner

*Primary Examiner*—Brian N Vinson

(57) **CLAIM**

The ornamental design for a wall mountable planter, as shown and described.

**DESCRIPTION**

FIG. 1 is a top perspective view of a wall mountable planter showing my new design;

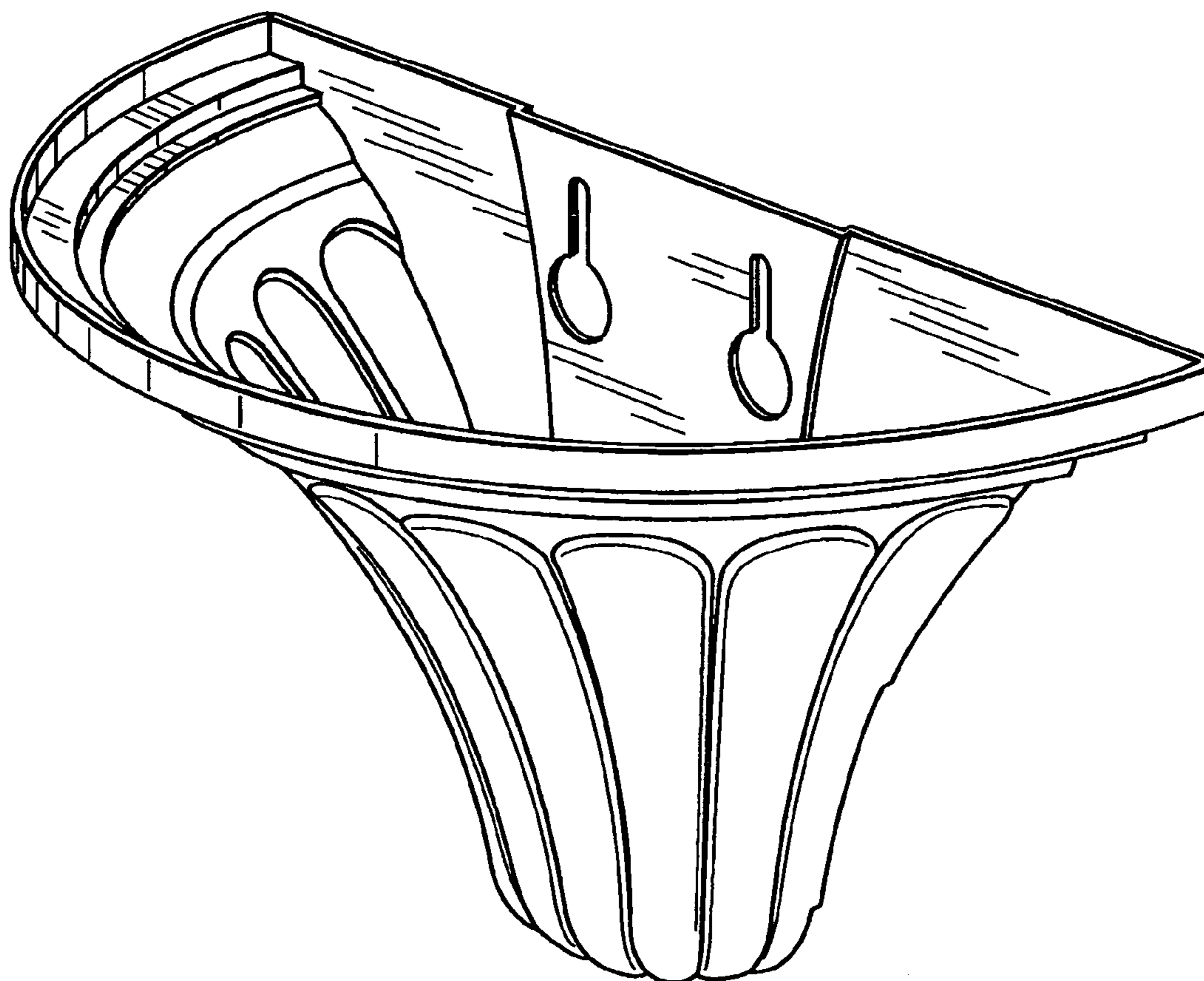
FIG. 2 is a bottom rear perspective view;

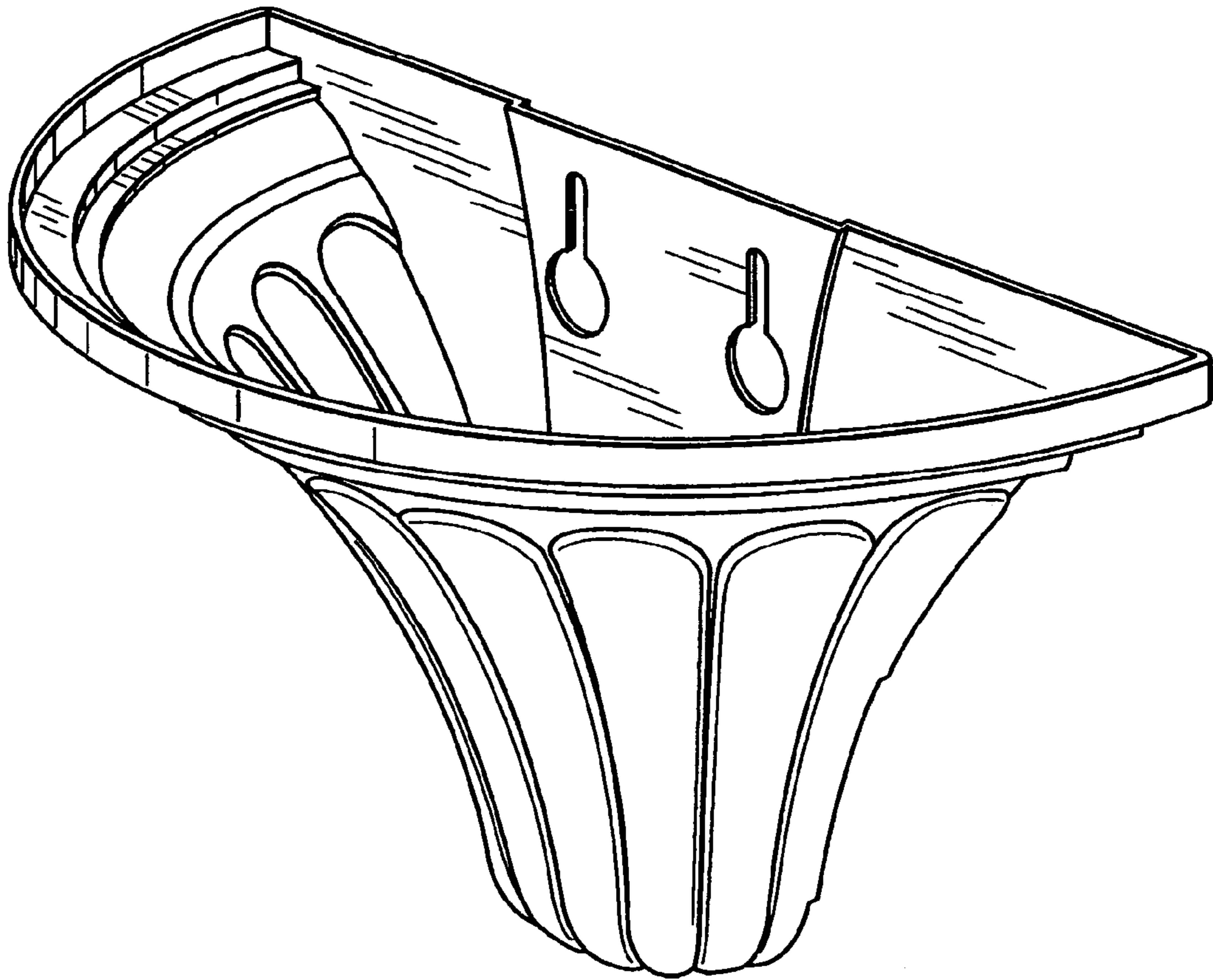
FIG. 3 is a top view;

FIG. 4 is a bottom view; and,

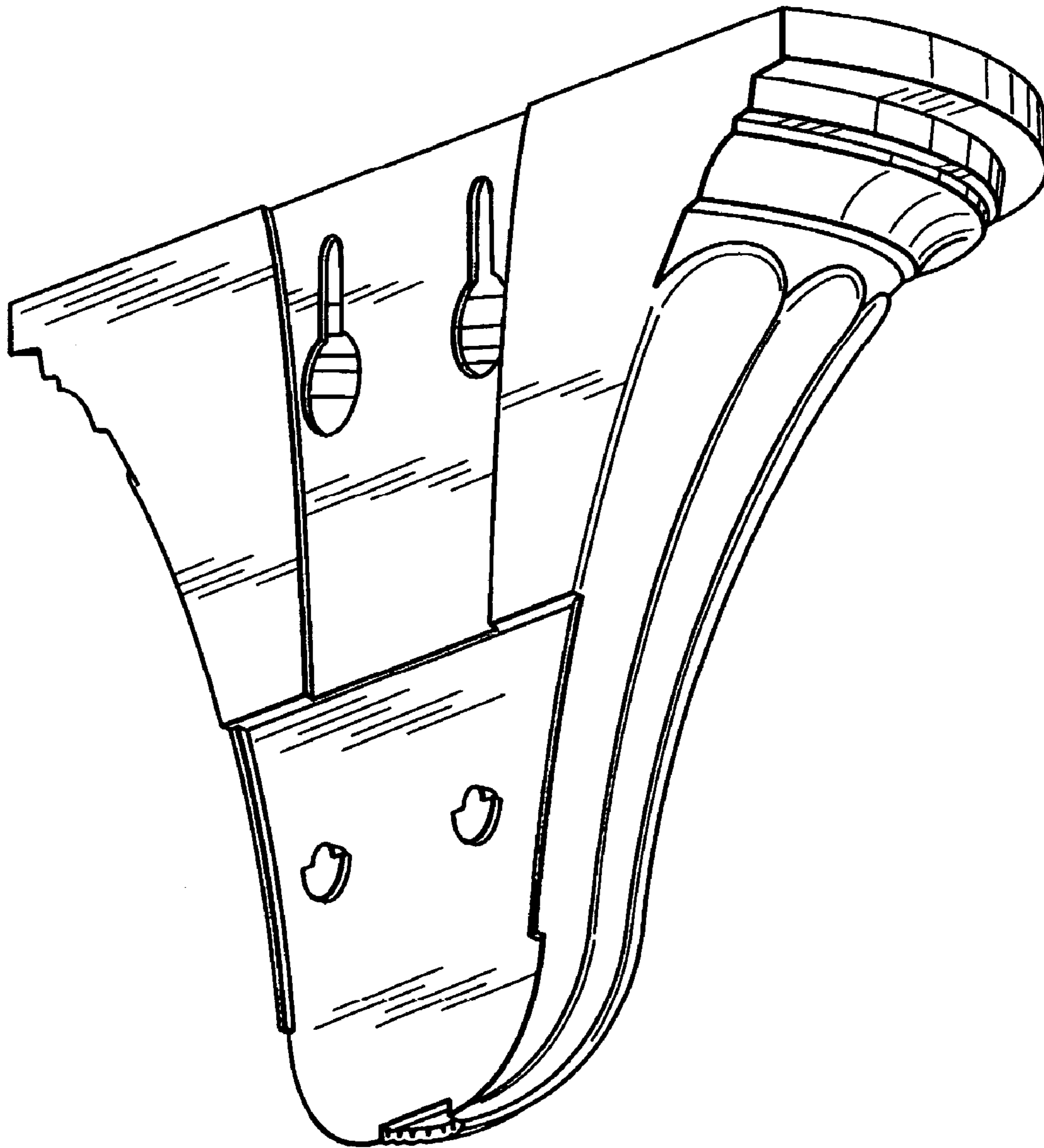
FIG. 5 is an end/side view.

**1 Claim, 4 Drawing Sheets**

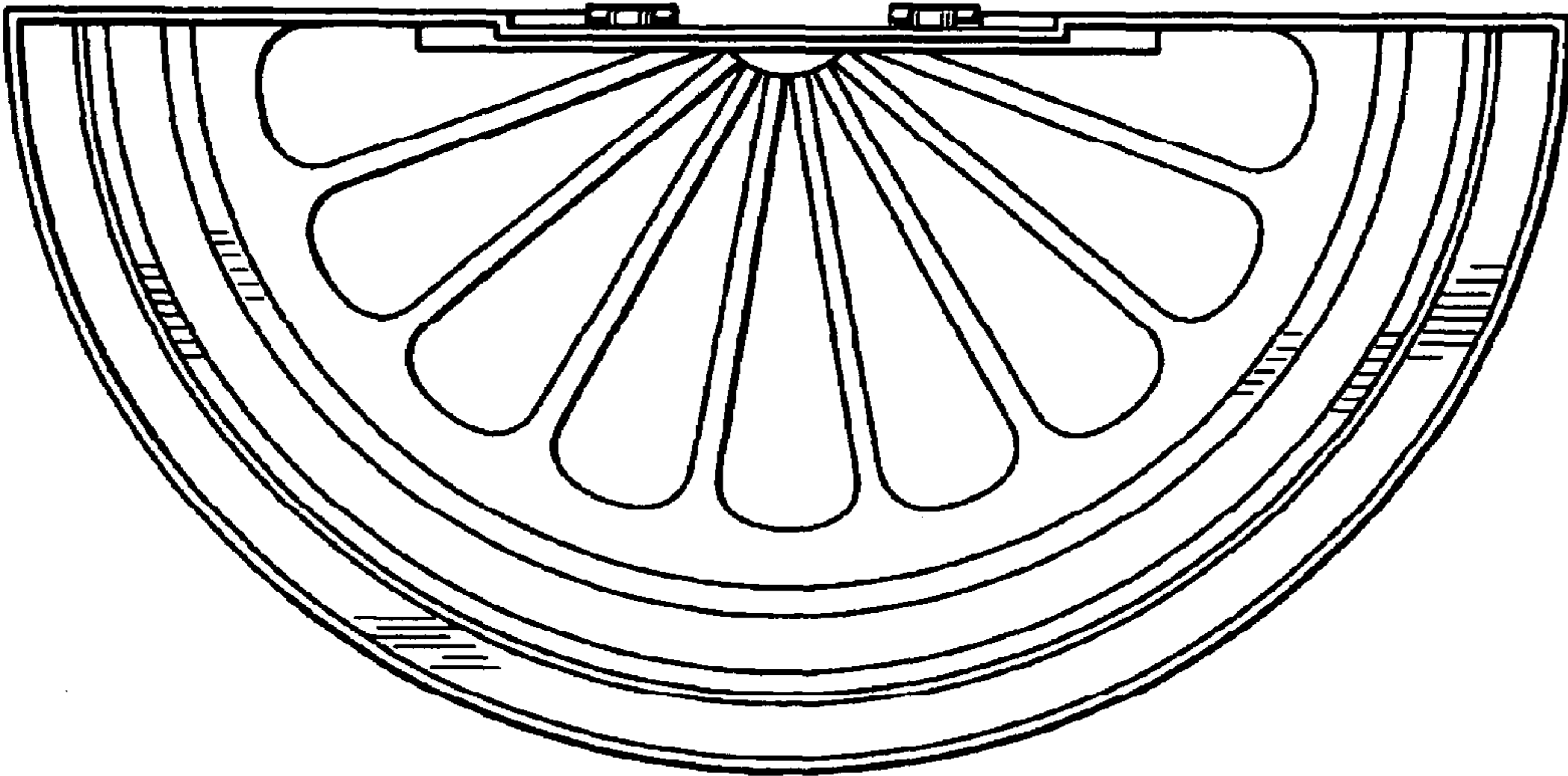




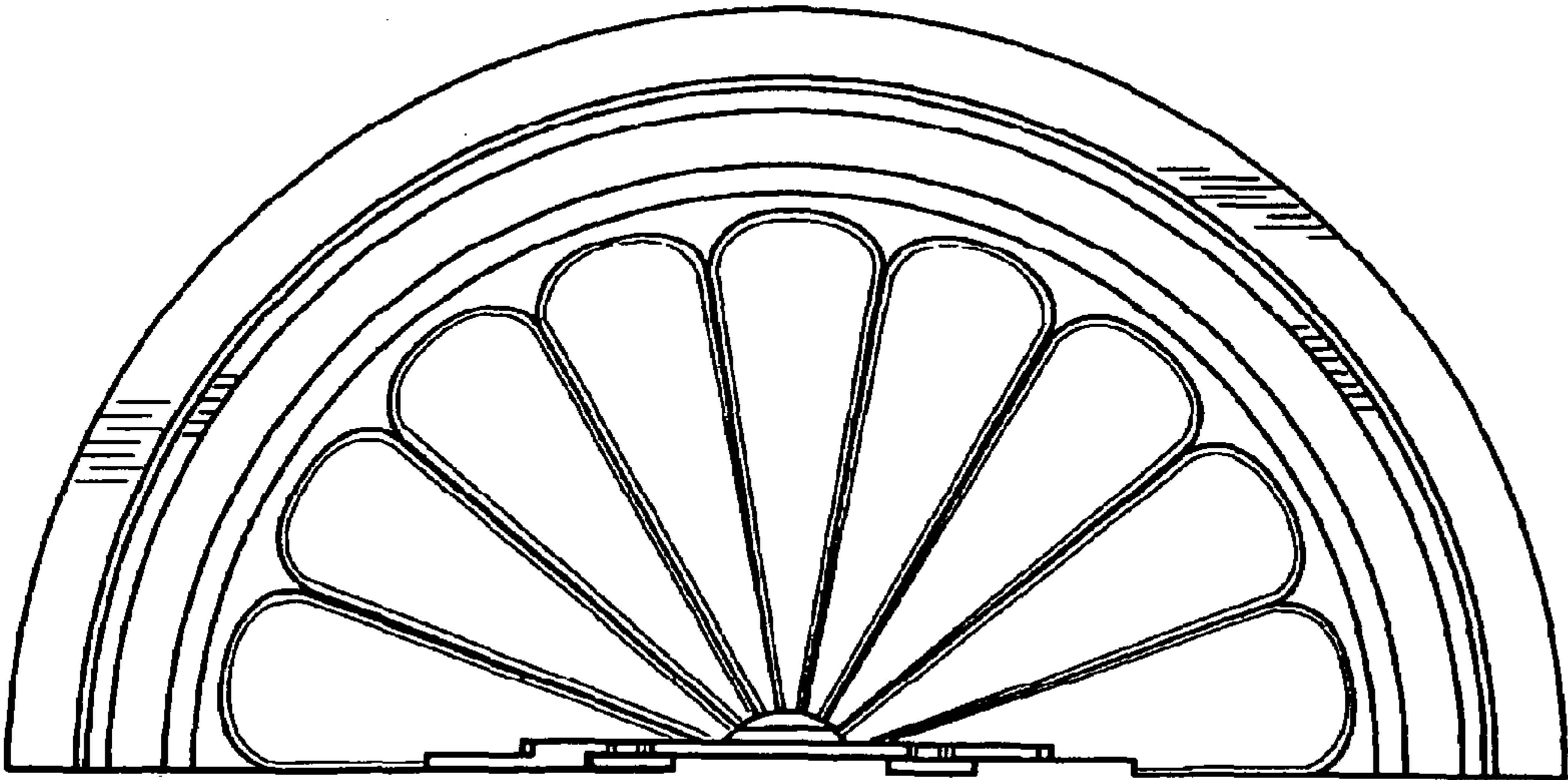
**FIG. 1**



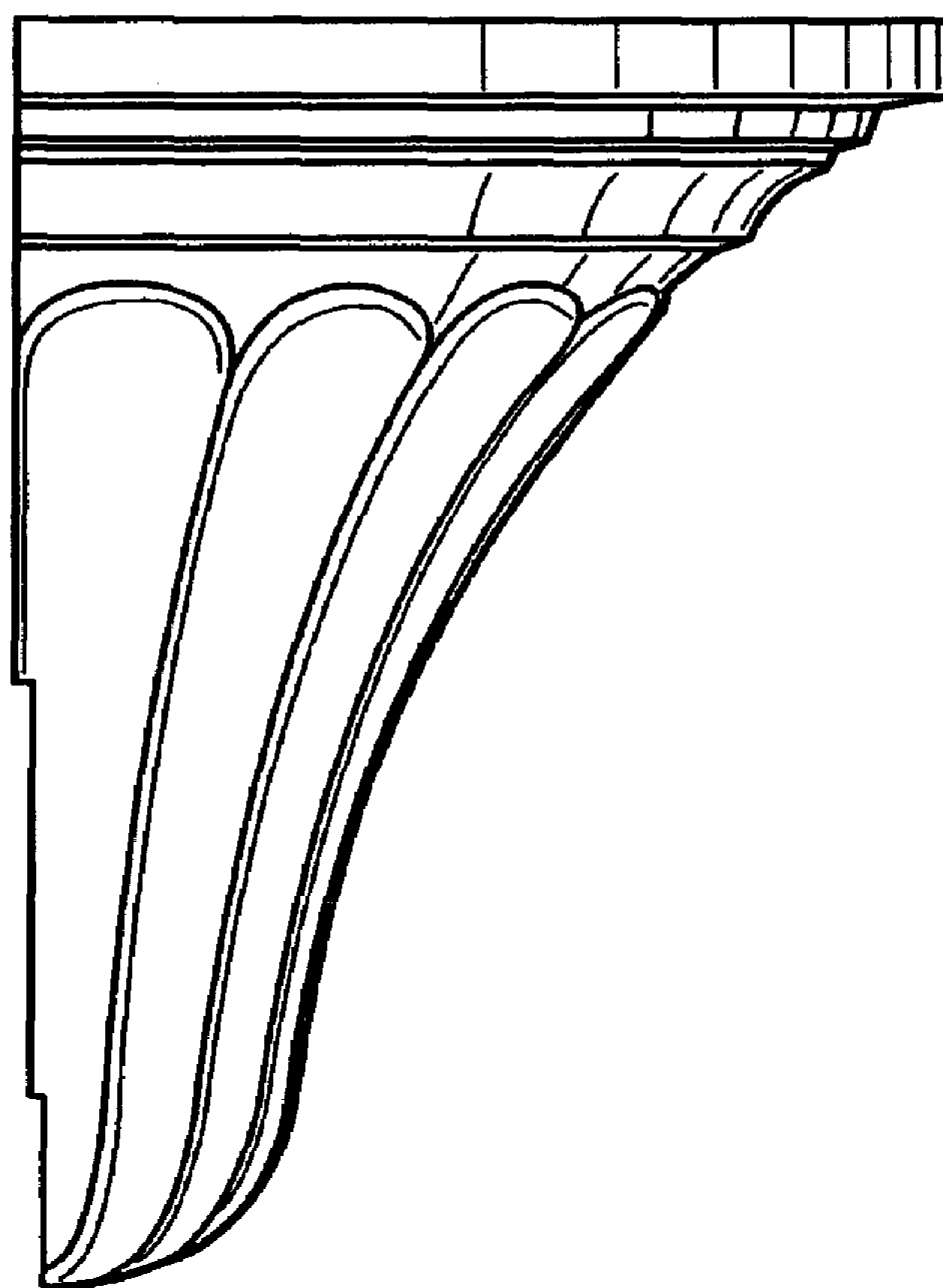
**FIG. 2**



**FIG. 3**



**FIG. 4**



**FIG. 5**